

# Series LMG Bolt-in Fuse Holder for Multiple AMG Fuses



## Power Distribution Module

Cooper Bussmann Transportation Products now offers a heavy power distribution module called the LMG (a.k.a. “Big Block”). The LMG is used for main branch primary fusing and accepts multiple (2, 3, or 5) industry standard AMG fuses. Using a common input bus bar, the LMG requires just one input connection to power all fuses.

The Big Block provides efficient power distribution suitable for many “under the hood” applications such as:

- Marine
- Construction
- Agriculture
- Heavy Trucking
- Bus
- Specialty Vehicles

**Sizing:** 2, 3 and 5 positions available

**Ratings:** Maximum total combined rating is 300A continuous\*

**Temperature:** -40°C (-40°F) to 85°C (185°F)

**Termination:**  $\frac{5}{16}$ ”-18 or M8 studs, nuts, and lockwashers for fuse and surface mountings

**Torques:** Mounting: 100 in-lbs (11.3N•m) max; Power input/output: 120 in-lbs (13.6N•m) max

**Material:** Housing: Black UL-Rated 94V0 thermoplastic  
Cover: Red EPDM cover for protection from accidental shorts  
Studs: Plated steel

\*Based on numerous variations possible between # of LMG poles, fuses selected, input wiring, and output wiring, all applications should be tested by the installer to verify the product meets their requirements. Housing must not exceed 130 degrees C.

**Specifications**

**Hardware/Options**

**Fuse:** LMGs may be supplied with various fuse configurations (if fuses selected, then input side of fuses torqued to specification at Cooper Bussmann factory - custom part number)

**Bus-bar:** Sized to LMG (2,3,5) plated copper power stud hardware only applies to output side of fuse. Supply side of fuses torqued to spec at factory by default (English/metric available)

**Mounting Hardware:** Installed or in bulk (English/metric available)

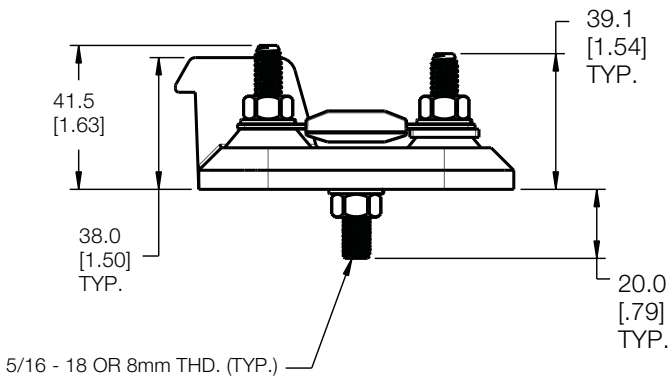
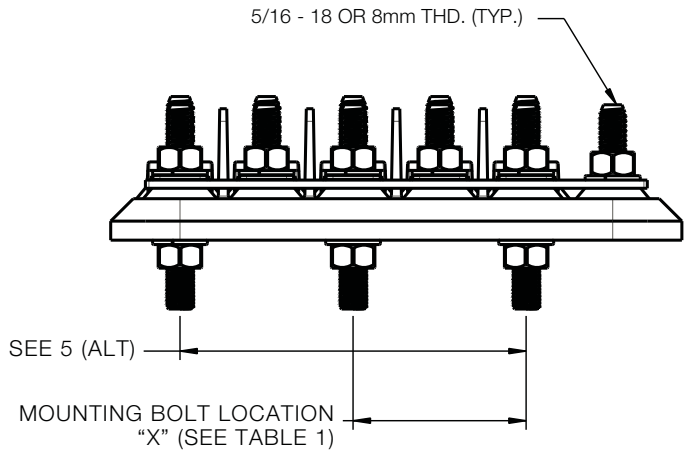
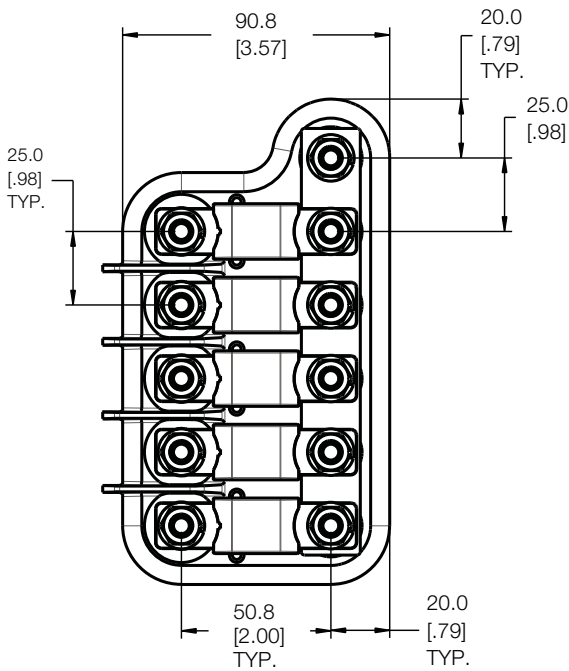
**Cover:** Installed, in bulk, or no cover. Also available in hard cover.

**Part Numbering System**

**LMG XX - X - XXXX**

- XXXX = Unique Identifying number reflecting fuse configurations. (assigned by Cooper Bussmann; 0000 means no fuse and no cover, 0001 means no fuse with cover, 0002 means no fuse, no cover, no bus bar)
- X = 1 Standard mounting (contact factory for custom options)
- X = Hardware Type (M for metric, E for English)
- X = # of fuse positions

**Dimensions - mm(in)**



POLE	"X" MM
2	25
3	50
5	50
5 (ALT)	100