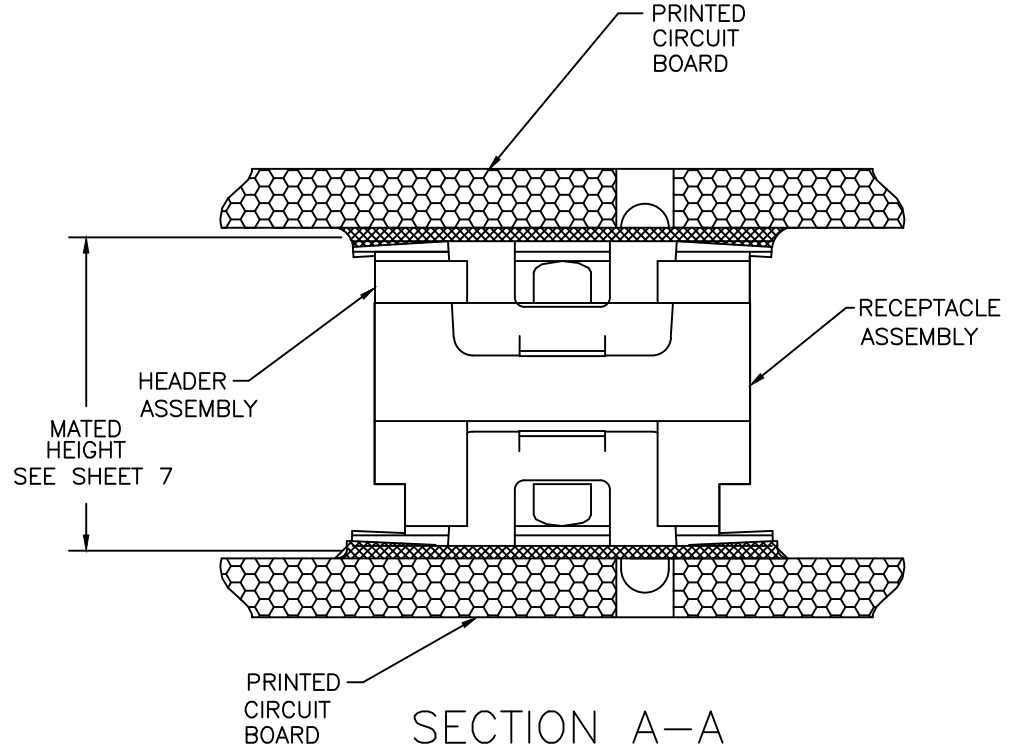
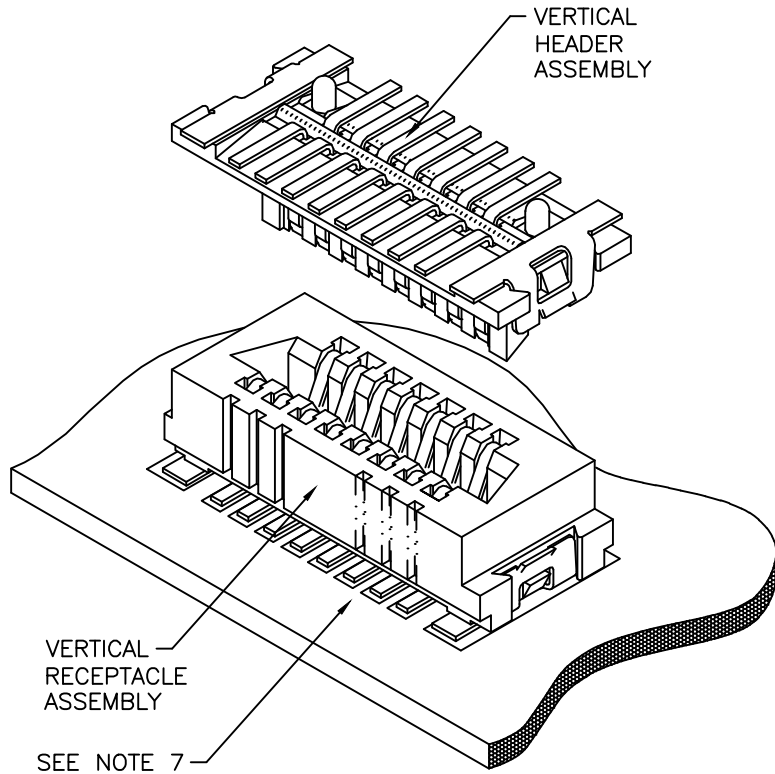


PRODUCT NUMBER
SEE TABLE

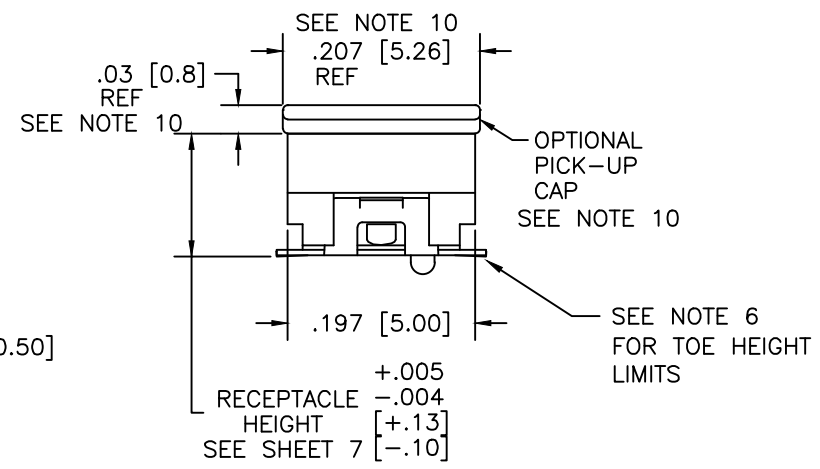
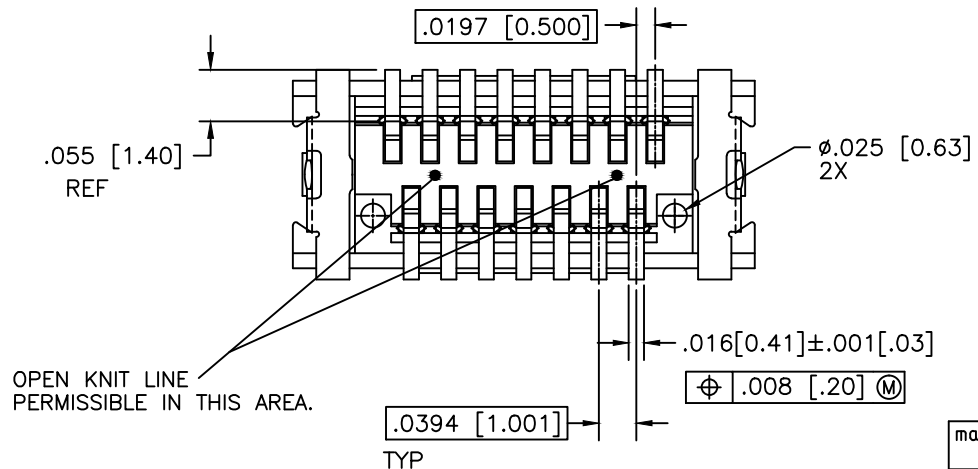
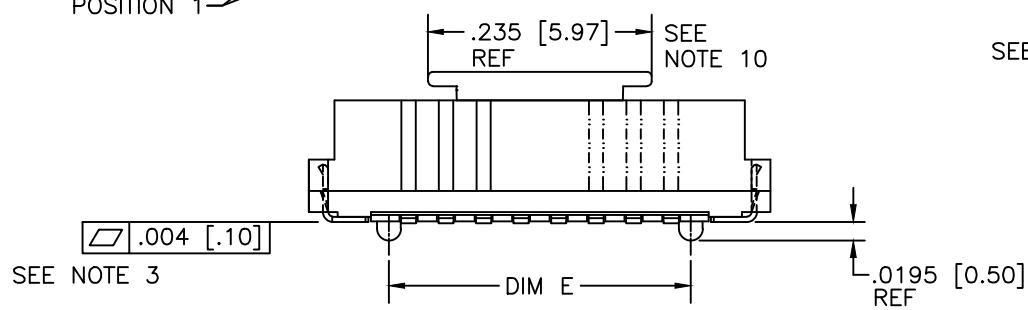
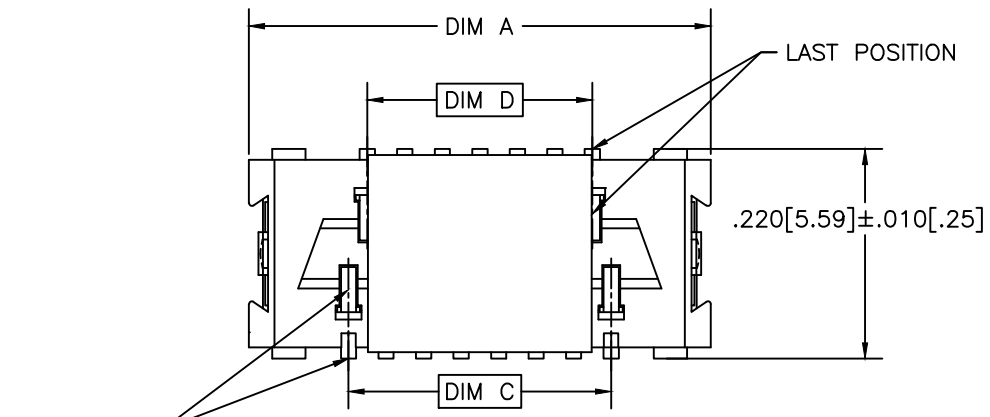


SECTION A-A
ROTATED 90°
N.T.S.

| | | | | | | | | | |
|-------------|-------------|---------------------|----------|---------------------------------------|------------|----------------|----|---------------------------|--|
| mat'l. code | | surface ISO 1302 | | tolerance ISO 406 ISO 1101 | | projection | | product family CONAN® | |
| ltr | ecn no | dr | date | tolerances unless otherwise specified | | title | | CONAN® CONNECTOR ASSEMBLY | |
| AG | ELX-N-14208 | GM | 03/07/13 | angles | linear | INCH/MM | | dwg no | |
| - | - | - | - | | | scale 5:1 | | sheet 1 of 7 size | |
| AB | M05-0110 | MHT | 05/26/05 | 0'±2' | | | | 91900 | |
| AC | M06-0232 | AGS | 06/12/06 | dr | R.SEIPLE | 11/13/91 | | A3 | |
| AD | M06-0373 | MHT | 09/26/06 | enr | D.HORCHLER | 01/10/92 | | type | |
| AE | M08-0012 | AGS | 01/11/08 | chr | D.HORCHLER | 01/10/92 | | Product Customer Drawing | |
| AF | M08-0287 | MHT | 10/02/08 | appd | D.HORCHLER | 01/10/92 | | | |
| sheet | revision | AG | AG | AG | AG | AG | AG | | |
| index | sheet | 1 | 2 | 3 | 4 | 5 | 6 | 7 | |

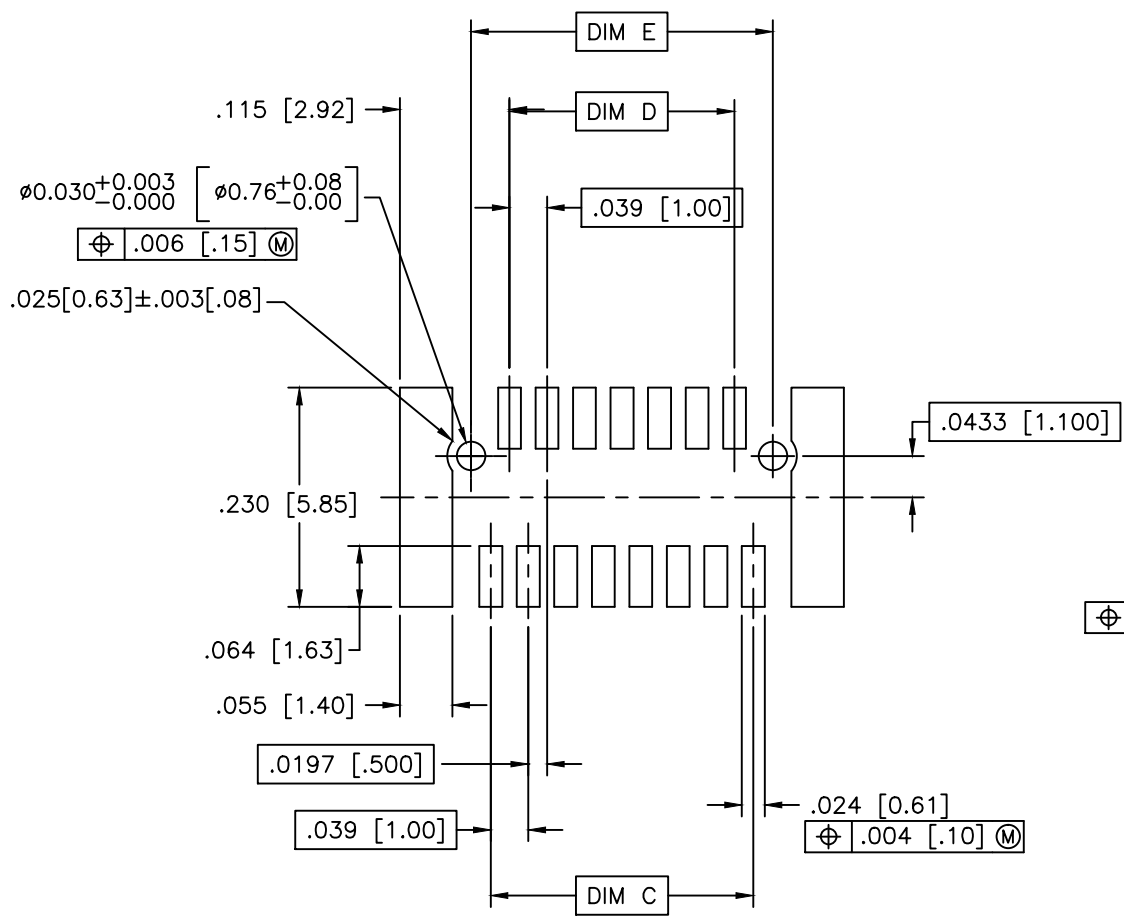


PRODUCT NUMBER
SEE TABLE

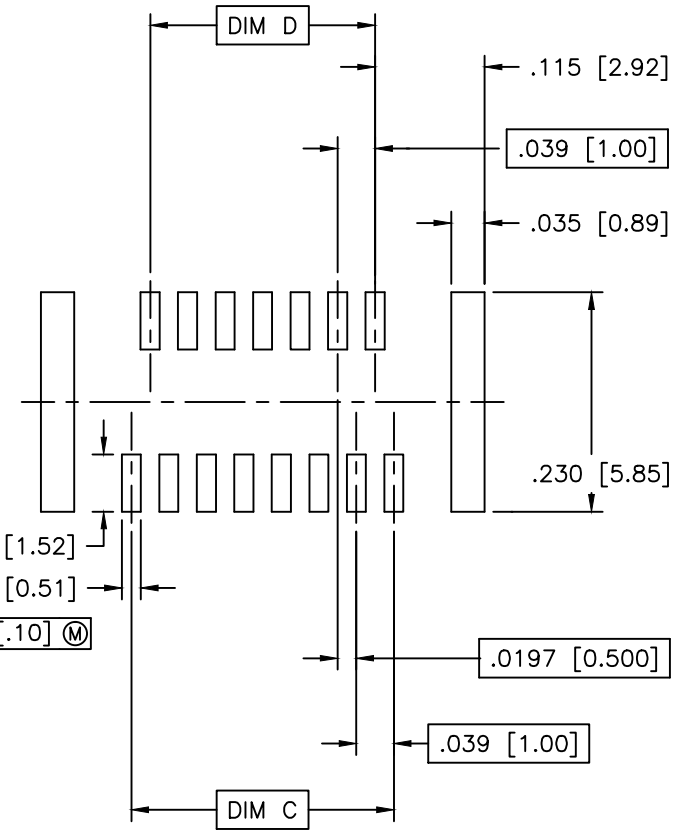


| | | | | | |
|-------------|----------------|---------------------|----------------------------------|---|------------------------------------|
| mat'l. code | | surface ISO 1302 | tolerance ISO 406 ISO 1101 | projection INCH/MM | product family CONAN® |
| ltr | ecn no | dr | date | tolerances unless otherwise specified | title CONAN® CONNECTOR ASSEMBLY |
| AG | | | | linear XX±.01/XX±0.3 XXX±.005/XXX±0.13 XXXX±.0020/XXXX±0.051 | scale 5:1 |
| | | dr | R.SEIPLE | 11/13/91 | sheet 2 of 7 size |
| | | enr | D.HORCHLER | 01/10/92 | 91900 |
| | | chr | D.HORCHLER | 01/10/92 | A3 |
| | | appd | D.HORCHLER | 01/10/92 | type Product Customer Drawing |
| sheet index | revision sheet | | | | |

PRODUCT NUMBER
SEE TABLE



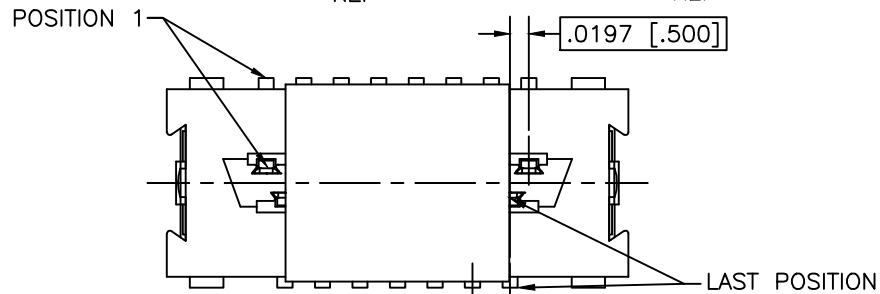
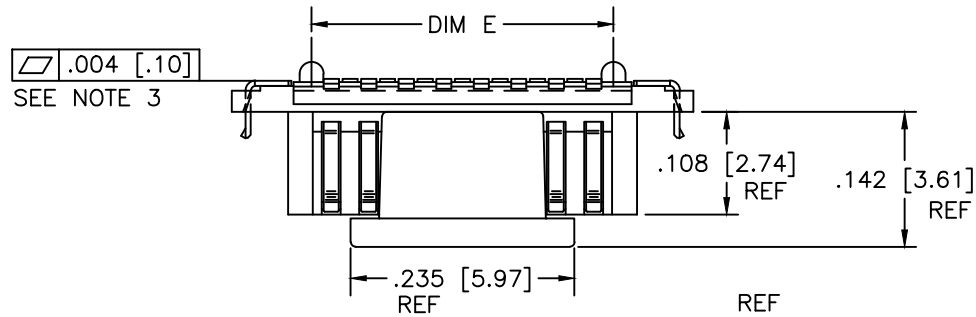
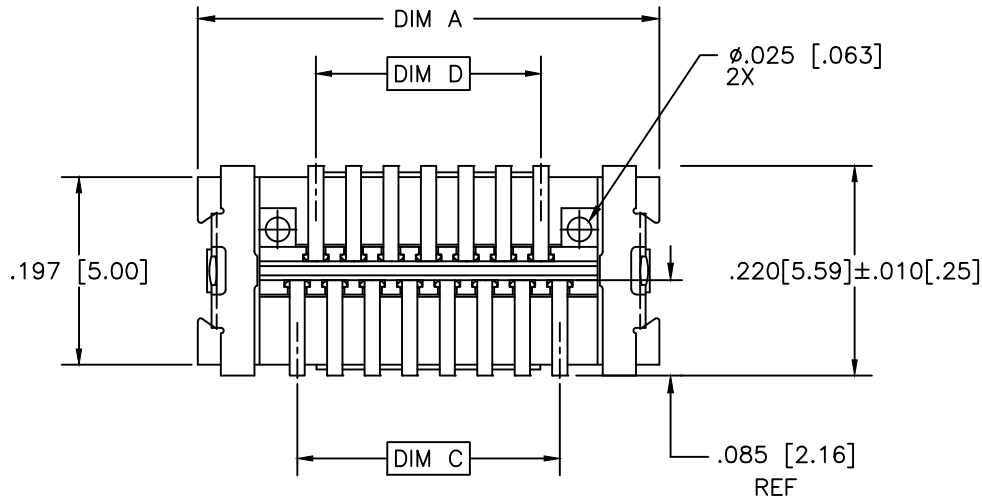
RECOMMENDED
PAD LAYOUT



RECOMMENDED
STENCIL LAYOUT
FOR RECEPTACLE

| | | | | | |
|-------------|----------------|---------------------|----------------------------------|--|--------------------------------------|
| mat'l. code | | surface ISO 1302 | tolerance ISO 406 ISO 1101 | projection INCH/MM | product family CONAN® |
| ltr | ecn no | dr | date | tolerances unless otherwise specified | title CONAN® CONNECTOR ASSEMBLY |
| AG | | | | linear XXX±.01/XX±0.3 XXX±.005/XX±0.13 XXX±.0020/XX±0.051 | dwg no 91900 |
| | | | | scale 5:1 | sheet 3 of 7 size A3 |
| | | dr | R.SEIPLE | 11/13/91 | FCJ type Product Customer Drawing |
| | | enr | D.HORCHLER | 01/10/92 | |
| | | chr | D.HORCHLER | 01/10/92 | |
| | | appd | D.HORCHLER | 01/10/92 | |
| sheet index | revision sheet | | | | |

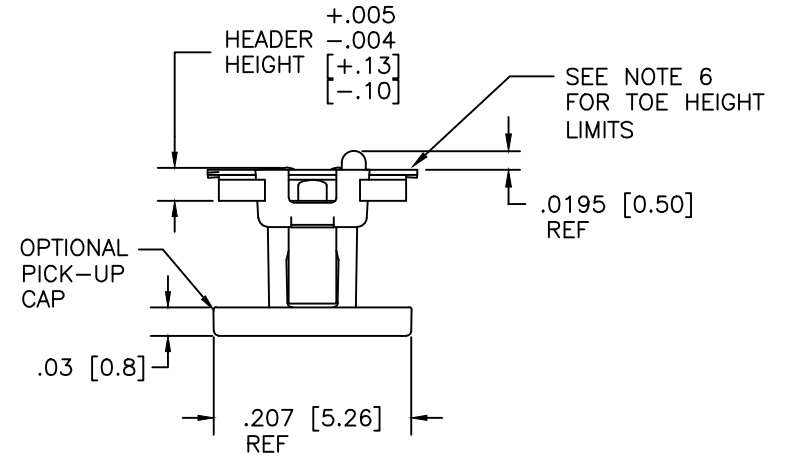
PRODUCT NUMBER
SEE TABLE



$.016[0.41] \pm .001[.03]$

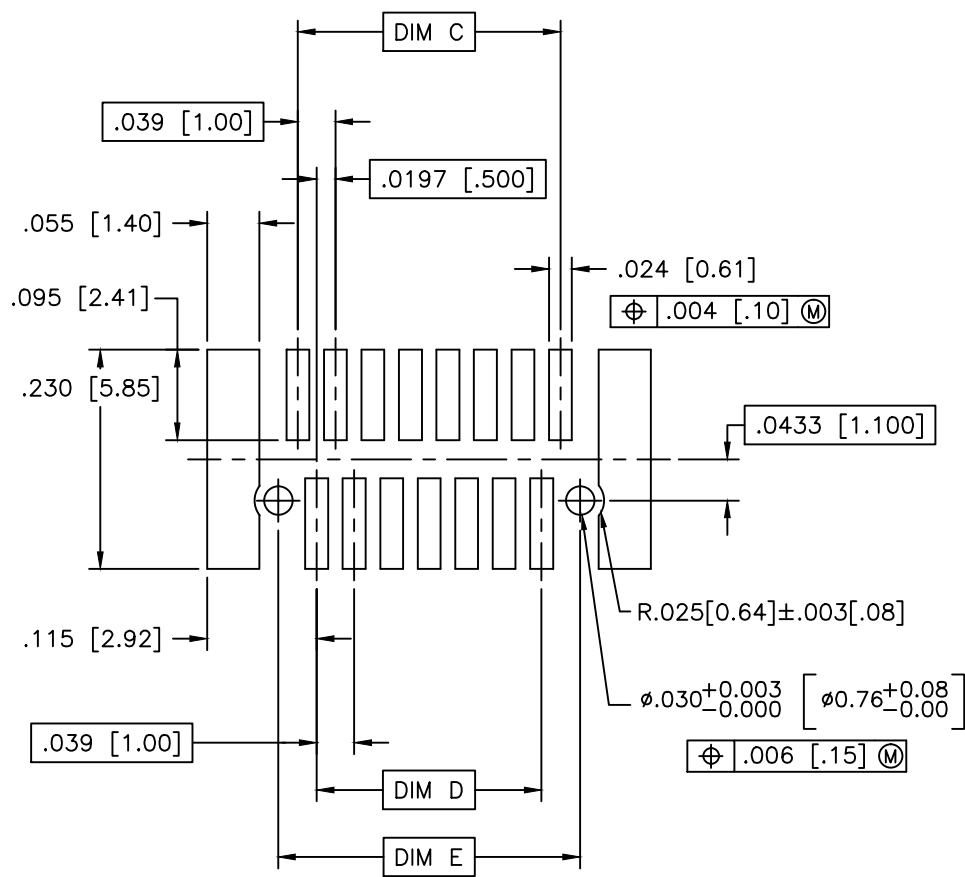
$\phi .008 [.20] \text{ (M)}$

$.0394 [1.001]$

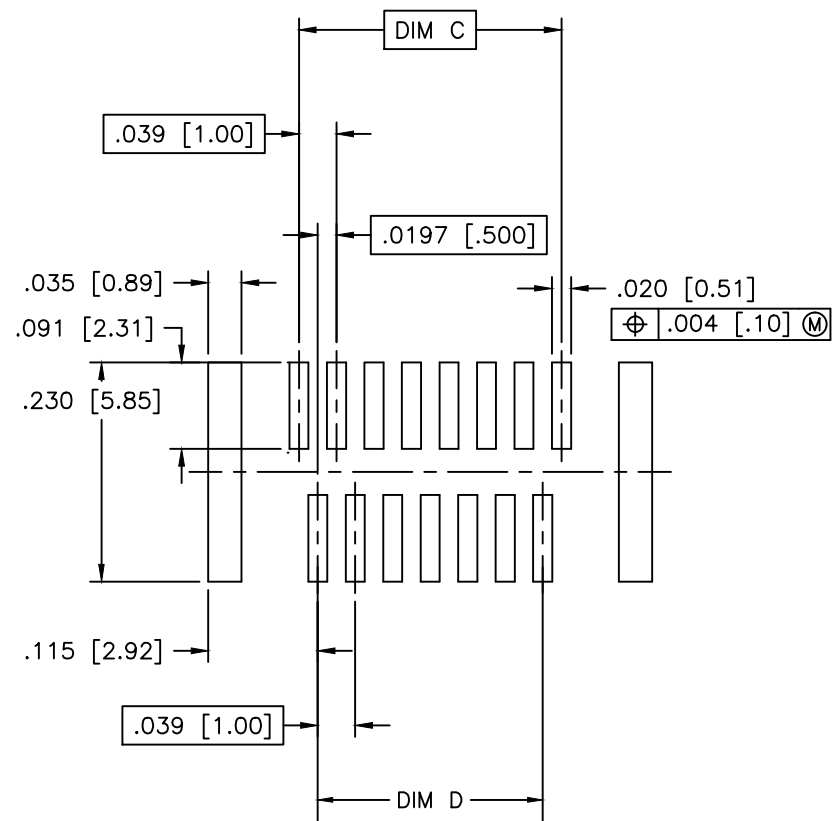


| | | | | | |
|-------------|----------------|---------------------|----------------------------------|--|-------------------------------|
| mat'l. code | | surface ISO 1302 | tolerance ISO 406 ISO 1101 | projection | product family CONAN® |
| ltr | ecn no | dr | date | tolerances unless otherwise specified | title |
| AG | | | | linear XX±.01/XX±0.3 XXX±.005/XXX±0.13 XXXX±.0020/XXX±0.051 | CONAN® CONNECTOR ASSEMBLY |
| | | | | angles 0°±2' | INCH/MM |
| | | | | | scale 5:1 |
| | | dr | R.SEIPLE 11/13/91 | | dwg no |
| | | enr | D.HORCHLER 01/10/92 | | 91900 |
| | | chr | D.HORCHLER 01/10/92 | | sheet 4 of 7 size |
| | | appd | D.HORCHLER 01/10/92 | | A3 |
| | | | | | type Product Customer Drawing |
| sheet index | revision sheet | | | | |

PRODUCT NUMBER
SEE TABLE



RECOMMENDED
PAD LAYOUT



RECOMMENDED
STENCIL LAYOUT
FOR HEADER

| | | | | | |
|-------------|----------------|-----------------------|----------------------------------|--|---|
| mat'l. code | | surface ISO 1302 ✓ | tolerance ISO 406 ISO 1101 | projection [Symbol] | product family CONAN® |
| ltr | ecn no | dr | date | tolerances unless otherwise specified | title CONAN® CONNECTOR ASSEMBLY |
| AG | | | | linear XX±.01/XX±0.3 XXX±.005/XXX±0.13 XXXX±.0020/XXX±0.051 | |
| | | | | angles 0°±2' | INCH/MM |
| | | | | dr | scale 5:1 |
| | | | | enr | |
| | | | | chr | |
| | | | | appd | |
| | | | | | |
| sheet index | revision sheet | | | | dwg no 91900 type Product Customer Drawing sheet 5 of 7 size A3 |

| PRODUCT NUMBER | POS | DIM "A" | DIM "C" | DIM "D" | DIM "E" |
|----------------|-----|---------------|---------------|---------------|-----------------|
| 919TC-WXY09 | 9 | .366 [9.30] | .157 [4.00] | .118 [3.00] | .1990 [5.055] |
| -WXY09LF | | | | | |
| -WXY11 | 11 | .406 [10.30] | .197 [5.00] | .157 [4.00] | .2380 [6.045] |
| -WXY11LF | | | | | |
| -WXY15 | 15 | .484 [12.30] | .276 [7.00] | .236 [6.00] | .3170 [8.052] |
| -WXY15LF | | | | | |
| -WXY21 | 21 | .602 [15.30] | .394 [10.00] | .354 [9.00] | .4350 [11.049] |
| -WXY21LF | | | | | |
| -WXY25 | 25 | .681 [17.30] | .472 [12.00] | .433 [11.00] | .5140 [13.056] |
| -WXY25LF | | | | | |
| -WXY31 | 31 | .800 [20.30] | .591 [15.00] | .551 [14.00] | .6320 [16.053] |
| -WXY31LF | | | | | |
| -WXY41 | 41 | .996 [25.30] | .787 [20.00] | .748 [19.00] | .8290 [21.057] |
| -WXY41LF | | | | | |
| -WXY51 | 51 | 1.193 [30.30] | .984 [25.00] | .945 [24.00] | 1.0260 [26.060] |
| -WXY51LF | | | | | |
| -WXY69 | 69 | 1.547 [39.30] | 1.339 [34.00] | 1.299 [33.00] | 1.3800 [35.052] |
| -WXY69LF | | | | | |

NOTES:

1. MATERIALS:

RECEPTACLE HOUSING - LCP, UL-94V-0. COLOR: NATURAL.

RECEPTACLE TERMINALS - COPPER ALLOY, PLATED WITH 15u"/.38u GXT™ IN CONTACT AREA AND 100u"/2.54u Sn ON SOLDER LEGS WITH AN OVERALL 50u"/1.27u Ni UNDERPLATE.

HEADER HOUSING - LCP, UL-94V-0. COLOR: NATURAL.

HEADER TERMINALS - COPPER ALLOY, PLATED WITH 15u"/.38u GXT™ IN CONTACT AREA AND 100u"/2.54u Sn ON SOLDER LEGS WITH AN OVERALL 50u"/1.27u Ni UNDERPLATE.

RETENTION DEVICE - BRASS, PLATED WITH 100u"/2.54u Sn OVER NICKEL.

2. REFERENCE GS-12-006 FOR PRODUCT PERFORMANCE DATA.

3. SEE TA-774 FOR FURTHER DESCRIPTION OF HOW THIS DIMENSION IS APPLIED.

4. PICK AND PLACE CAP OR TAPE IS ONLY AVAILABLE WITH OPTION 3 PACKAGING. (PSA ADHESIVE SEALED). ALSO, PSA PACKAGING REQUIRES A PICK AND PLACE CAP.

5. RECOMMENDED SOLDER PASTE THICKNESS IS .006 TO .008 INCHES THICK.

6. THE TOE HEIGHT OF THE SOLDER TAIL SHALL BE MEASURED FROM THE LOWEST POINT OF THE .004 CO-PLANARITY GRAVITY PLANE. THIS MEASUREMENT IS NOT TO EXCEED A WINDOW OF .000 TO .007 INCHES.

7. THREE SLOTS MAY BE LOCATED AT EITHER END OF HOUSING.

8. 5.50mm MATED HEIGHT IS ONLY AVAILABLE IN 9, 15 AND 31 POS.

9. 7.50mm MATED HEIGHT IS ONLY AVAILABLE IN 9 POS.

10. APPLIES TO 91921-3XYZZ AND 91931- 3XYZZ OPTIONS ONLY.

11. THE HOUSING WILL WITHSTAND EXPOSURE TO 260°C PEAK TEMPERATURE FOR 30 SECONDS IN A CONVECTION INFRA RED OR VAPOR PHASE REFLOW OVEN. SEE APPLICATION/PROCEDURES IF THEY ARE AVAILABLE

13. PRODUCT WITH "LF" AT THE END MEETS EUROPEAN UNION DIRECTIVES AND OTHER COUNTRY REGULATION AS DESCRIBED IN GS-22-008.

| | | | | | |
|-------------|----------------|---------------------|----------------------------------|---|-------------------------------|
| mat'l. code | | surface ISO 1302 | tolerance ISO 406 ISO 1101 | projection | product family CONAN® |
| ltr | ecn no | dr | date | tolerances unless otherwise specified | title |
| AG | | | | linear XXX±.01/XX±0.3 XXX±.005/XX±0.13 XXX±.0020/XXX±0.051 | CONAN® CONNECTOR ASSEMBLY |
| | | | | angles 0'±2' | INCH/MM |
| | | | | dr R.SEIPLE 11/13/91 | scale 5:1 |
| | | | | enr D.HORCHLER 01/10/92 | dwg no 91900 |
| | | | | chr D.HORCHLER 01/10/92 | sheet 6 of 7 size A3 |
| | | | | appd D.HORCHLER 01/10/92 | type Product Customer Drawing |
| sheet index | revision sheet | | | | |



PRODUCT NUMBER
SEE TABLE

CONAN® ASSEMBLY PART NUMBER

919 T C - W X Y ZZ LF

LEAD FREE OPTION
SEE NOTE 12

| TYPE | T |
|-------------------------|---|
| HEADER WITH NO PEGS | 0 |
| HEADER WITH PEGS | 1 |
| RECEPTACLE WITH NO PEGS | 2 |
| RECEPTACLE WITH PEGS | 3 |

| PICK AND PLACE CAP OR TAPE (NOTE 4) | C |
|-------------------------------------|---|
| WITHOUT CAP OR TAPE | 0 |
| WITH CAP | 1 |
| WITH TAPE (RECEPTACLE ONLY) | 2 |

| PACKAGING | W |
|-----------------------------|---|
| TUBE | 2 |
| PRESSURE SEALED TAPE & REEL | 3 |

NOTE 4

| Y | HEADER HEIGHT | RECEPTACLE HEIGHT | MATED HEIGHT +.010 -.008 [+.25] [-.20] |
|-------|---------------|-----------------------------|--|
| 1 | .034 [.86] | .129 [3.28] | .163 [4.15] |
| 2 | .048 [1.23] | SEE Y=1 FOR ALL RECEPTACLES | .177 [4.50] |
| 3 | .068 [1.73] | | .197 [5.00] |
| 4 | .107 [2.72] | | .236 [6.00] |
| 5 | .1465 [3.721] | | .276 [7.00] |
| * 6 | .088 [2.23] | | .216 [5.50] |
| * * 7 | .1665 [4.229] | | .296 [7.52] |

* NOTE 8
* * NOTE 9

| X | PLATING |
|---|----------------|
| 1 | 15u"/.38u GXT™ |
| 2 | 30u"/.76u GXT™ |

| ZZ | NUMBER OF POSITIONS |
|----|---------------------|
| 09 | 9 |
| 11 | 11 |
| 15 | 15 |
| 21 | 21 |
| 25 | 25 |
| 31 | 31 |
| 41 | 41 |
| 51 | 51 |
| 69 | 69 |

EXAMPLE: 91921-31125LF
IS A CONAN® RECEPTACLE ASSEMBLY,
HAVING NO PEGS AND WITH A PICK AND PLACE CAP.
IT ALSO HAS GXT™ PLATING, IS .13 [3.2] HIGH AND 25
POSITIONS AND IS PACKAGED IN PRESSURE SEALED TAPE,
REEL AND LEAD FREE.

| | | | | | |
|-------------|----------------|-----------------------|----------------------------------|--|-------------------------------|
| mat'l. code | | surface ISO 1302 ✓ | tolerance ISO 406 ISO 1101 | projection | product family CONAN® |
| ltr | ecn no | dr | date | tolerances unless otherwise specified | title |
| AG | | | | linear XX±.01/XX±0.3 XXX±.005/XXX±0.13 XXXX±.0020/XXX±0.051 | CONAN® CONNECTOR ASSEMBLY |
| | | | | angles 0'±2' | INCH/MM |
| | | | | dr | scale 5:1 |
| | | | | engr | sheet 7 of 7 size |
| | | | | chr | 91900 A3 |
| | | | | appd | type Product Customer Drawing |
| sheet index | revision sheet | | | | |

