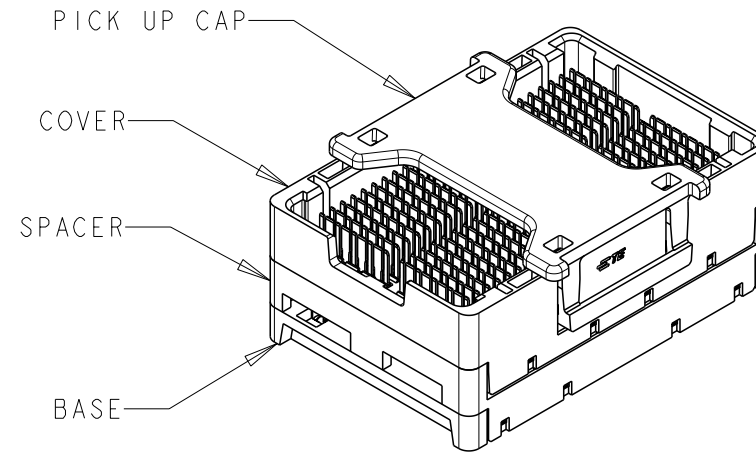
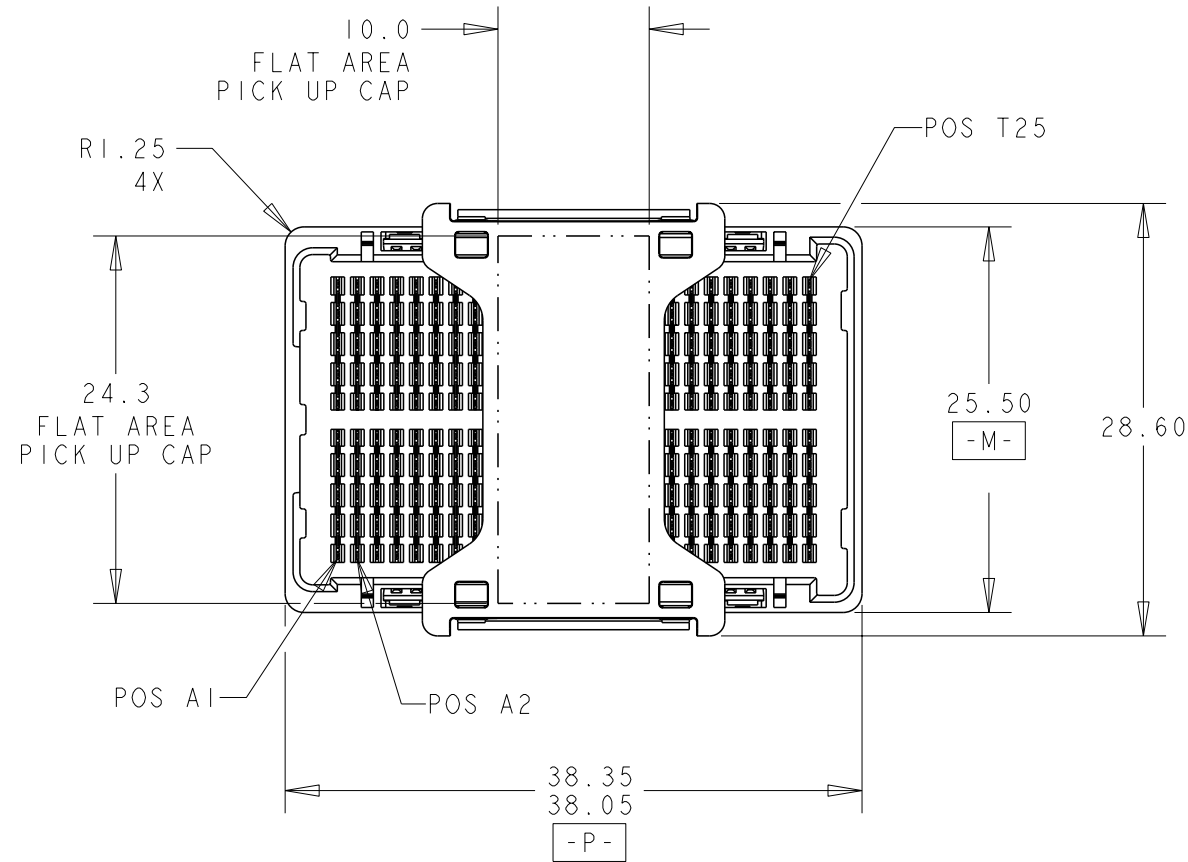
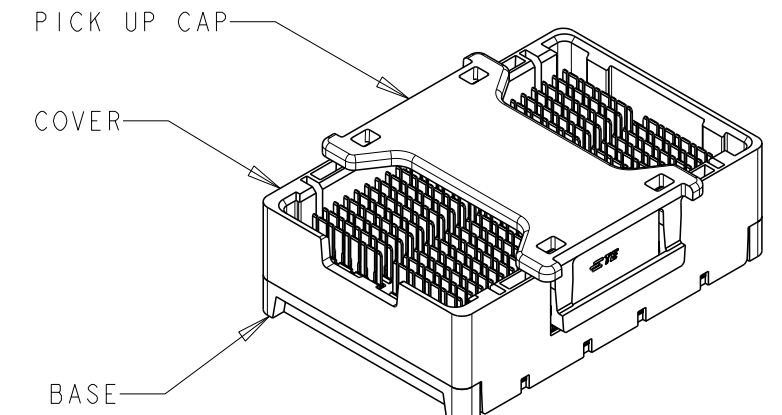
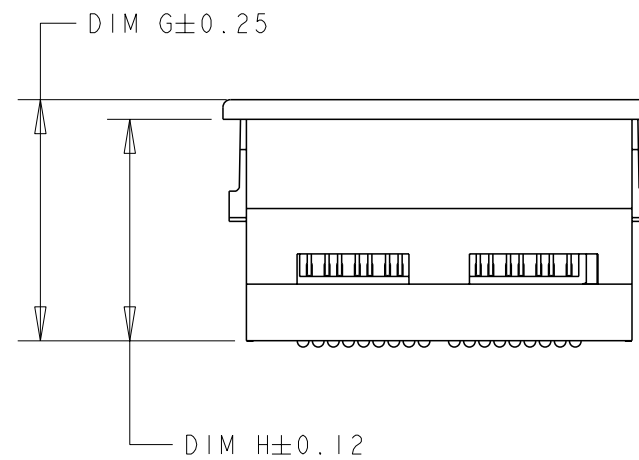
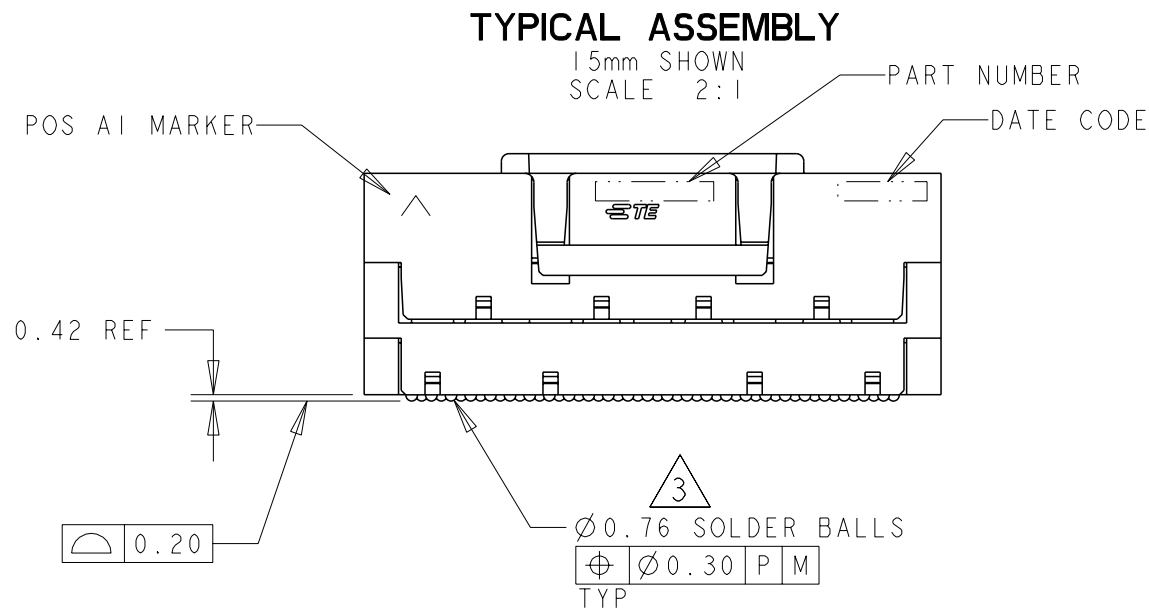


| P | LTR | DESCRIPTION | DATE | DWN | APVD |
|---|-----|---------------------------|-----------|-----|------|
| | A7 | REVISED PER ECO-20-017117 | 27APR2021 | AP | RW |
| | | | | | |
| | | | | | |



ISOMETRIC VIEW
TYPICAL CONFIGURATION FOR
15mm, 20mm & 25mm ASSEMBLY
SCALE 3:2



ISOMETRIC VIEW
TYPICAL CONFIGURATION FOR
10mm, 12mm, & 13mm ASSEMBLY
SCALE 3:2

| | | | | | |
|---|--|-------------------------------|---|--------------------|-------------------------|
| THIS DRAWING IS A CONTROLLED DOCUMENT. | | DWN P BRANDBERG 17DEC04 | | | |
| DIMENSIONS: mm | | CHK D WERTZ 05JAN05 | | | |
| TOLERANCES UNLESS OTHERWISE SPECIFIED: | | APVD D WERTZ 05JAN05 | NAME STEP-Z, PLUG ASSEMBLY, 200 SIGNAL POSITION | | |
| 0 PLC ±- 1 PLC ±0.3 2 PLC ±0.10 3 PLC ±0.050 4 PLC ±- ANGLES ±2° | | PRODUCT SPEC 108-2143 | RESTRICTED TO | | |
| MATERIAL | | APPLICATION SPEC 114-13101 | SIZE A3 | CAGE CODE 00779 | DRAWING NO C-1761614 |
| FINISH | | WEIGHT - | SCALE 2:1 | | |
| | | CUSTOMER DRAWING | | SHEET 1 OF 5 | |
| | | REV A7 | | | |

REVISIONS

| P | LTR | DESCRIPTION | DATE | DWN | APVD |
|---|-----|-------------|------|-----|------|
| - | | SEE SHEET 1 | - | - | - |
| | | | | | |
| | | | | | |

1 MATERIAL:
 BASE, SPACER, COVER: THERMOPLASTIC
 PICK UP CAP: THERMOPLASTIC
 CONTACT: COPPER ALLOY
 SOLDER BALL: Sn/Pb FOR P/N 1761614-1 THRU 5-1761614-0
 Sn/Ag FOR P/N 5-1761614-1 THRU 9-1761614-9

2 FINISH:
 CONTACT: 0.00076 MIN GOLD OVER 0.00127 MIN NICKEL.
 (30µ" MIN GOLD OVER 50µ" MIN NICKEL)

3 SOLDER BALLS WILL NOT BE PERFECT
 SPHERICAL SHAPE DUE TO REFLOW ATTACHMENT.

4 CONTACTS IN ROWS A,C,E,G,J,K,M,P,R, AND T
 ARE SINGLE BEAM CONTACTS,
 TYPICALLY USED AS GROUND PINS.
 (NOTE: CONTACTS IN ROW J & K ARE TIED
 TOGETHER [COMMONED]).

5 CONTACTS IN ROWS B,D,F,H,L,N,Q, AND S
 ARE DUAL BEAM CONTACTS,
 TYPICALLY USED AS SIGNAL PINS.


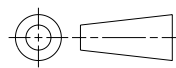
6 SPECIFIED POSITIONAL TOLERANCE DEFINES PAD TO PAD
 LOCATION WITHIN LAND PATTERN. POSITIONAL TOLERANCE
 OF LAND PATTERN TO FUDICIAL MARKS OR PCB DATUMS
 SHALL BE DEFINED BY CUSTOMER. FOR RECOMMENDED
 PRODUCT APPLICATION AND PCB DESIGN DETAILS, SEE
 APPLICATION SPEC 114-13101.

7 SOLDER PADS UNUSED, MAY BE OMITTED.

8 REFERENCE BOARD PATTERN FOR DIMENSIONS
 AND DETAILS NOT SHOWN.

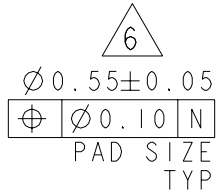
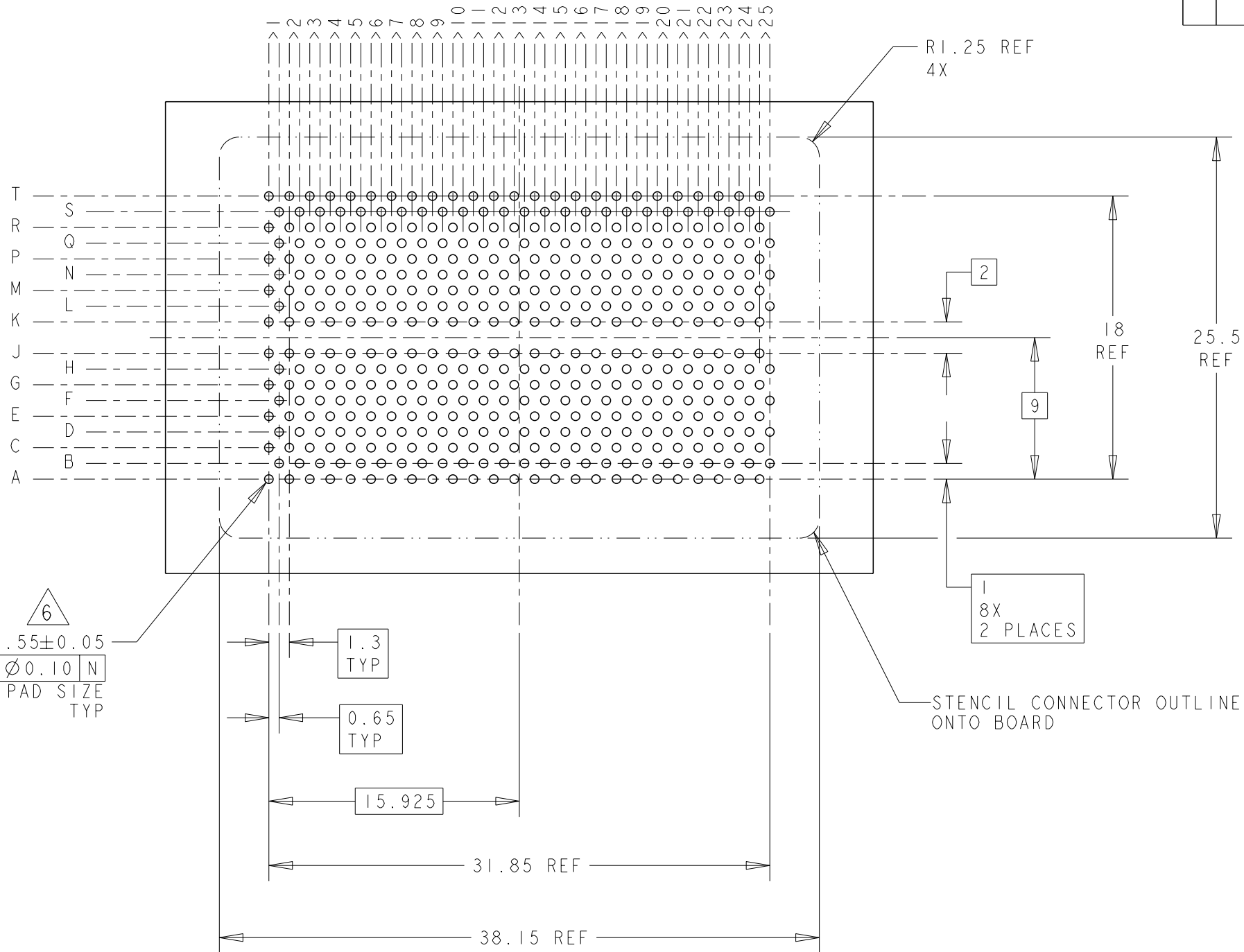
| | | | | |
|-------|-------|----------------------------------|-------------|------------------------|
| 11.65 | 12.95 | SELECT LOAD-112 POSN-SEE VIEW 35 | 12mm Sn/Ag | 8-1761614-5 |
| 12.65 | 13.95 | SELECT LOAD-104 POSN-SEE VIEW 31 | 13mm Sn/Ag | 8-1761614-3 |
| 19.65 | 20.95 | SELECT LOAD-104 POSN-SEE VIEW 31 | 20mm Sn/Ag | 8-1761614-2 |
| 9.65 | 10.95 | SELECT LOAD-104 POSN-SEE VIEW 31 | 10mm Sn/Ag | 8-1761614-1 |
| 24.65 | 25.95 | FULL LOAD-200 POSN | 25mm Sn/Ag | 7-1761614-5 |
| 19.65 | 20.95 | FULL LOAD-200 POSN | 20mm Sn/Ag | 7-1761614-0 |
| 14.65 | 15.95 | FULL LOAD-200 POSN | 15mm Sn/Ag | 6-1761614-5 |
| 12.65 | 13.95 | FULL LOAD-200 POSN | 13mm Sn/Ag | 6-1761614-3 |
| 11.65 | 12.95 | FULL LOAD-200 POSN | 12mm Sn/Ag | 6-1761614-2 |
| 9.65 | 10.95 | FULL LOAD-200 POSN | 10mm Sn/Ag | 6-1761614-0 |
| | | | | |
| 9.65 | 10.95 | SELECT LOAD-120 POSN-SEE VIEW 34 | 10mm Sn/Pb | 3-1761614-4 |
| 12.65 | 13.95 | SELECT LOAD-104 POSN-SEE VIEW 31 | 13mm Sn/Pb | 3-1761614-3 |
| 19.65 | 20.95 | SELECT LOAD-104 POSN-SEE VIEW 31 | 20mm Sn/Pb | 3-1761614-2 |
| 9.65 | 10.95 | SELECT LOAD-104 POSN-SEE VIEW 31 | 10mm Sn/Pb | 3-1761614-1 |
| 24.65 | 25.95 | FULL LOAD-200 POSN | 25mm Sn/Pb | 2-1761614-5 |
| 19.65 | 20.95 | FULL LOAD-200 POSN | 20mm Sn/Pb | 2-1761614-0 |
| 14.65 | 15.95 | FULL LOAD-200 POSN | 15mm Sn/Pb | 1-1761614-5 |
| 12.65 | 13.95 | FULL LOAD-200 POSN | 13mm Sn/Pb | 1-1761614-3 |
| 11.65 | 12.95 | FULL LOAD-200 POSN | 12mm Sn/Pb | 1-1761614-2 |
| 9.65 | 10.95 | FULL LOAD-200 POSN | 10mm Sn/Pb | 1-1761614-0 |
| DIM H | DIM G | LOAD STYLE | DESCRIPTION | PART NUMBER |

OBSOLETE

| | | | | |
|---|--|-------------------------------|---|-----------------|
| THIS DRAWING IS A CONTROLLED DOCUMENT. | | DWN P BRANDBERG 17DEC04 |  TE Connectivity | |
| DIMENSIONS: mm | | CHK D WERTZ 05JAN05 | | |
|  | | APVD D WERTZ 05JAN05 | NAME STEP-Z, PLUG ASSEMBLY, 200 SIGNAL POSITION | |
| TOLERANCES UNLESS OTHERWISE SPECIFIED: 0 PLC ±- 1 PLC ±0.3 2 PLC ±0.10 3 PLC ±0.050 4 PLC ±- ANGLES ±2° | | PRODUCT SPEC 108-2143 | RESTRICTED TO | |
| MATERIAL - | | FINISH - | APPLICATION SPEC 114-13101 | SIZE A300779 |
| | | WEIGHT - | DRAWING NO C-1761614 | CAGE CODE |
| | | CUSTOMER DRAWING | SCALE 2:1 | SHEET 2 OF 5 |
| | | | | REV A7 |

Printed on 27 Apr 2021 10:03 from FRO19828

| P | LTR | DESCRIPTION | DATE | DWN | APVD |
|---|-----|-------------|------|-----|------|
| - | - | SEE SHEET 1 | - | - | - |
| | | | | | |
| | | | | | |



4 5 BOARD PATTERN SCALE 3:1

THIS DRAWING IS A CONTROLLED DOCUMENT.

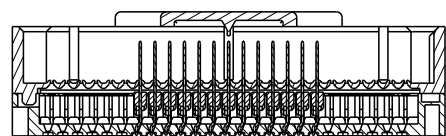
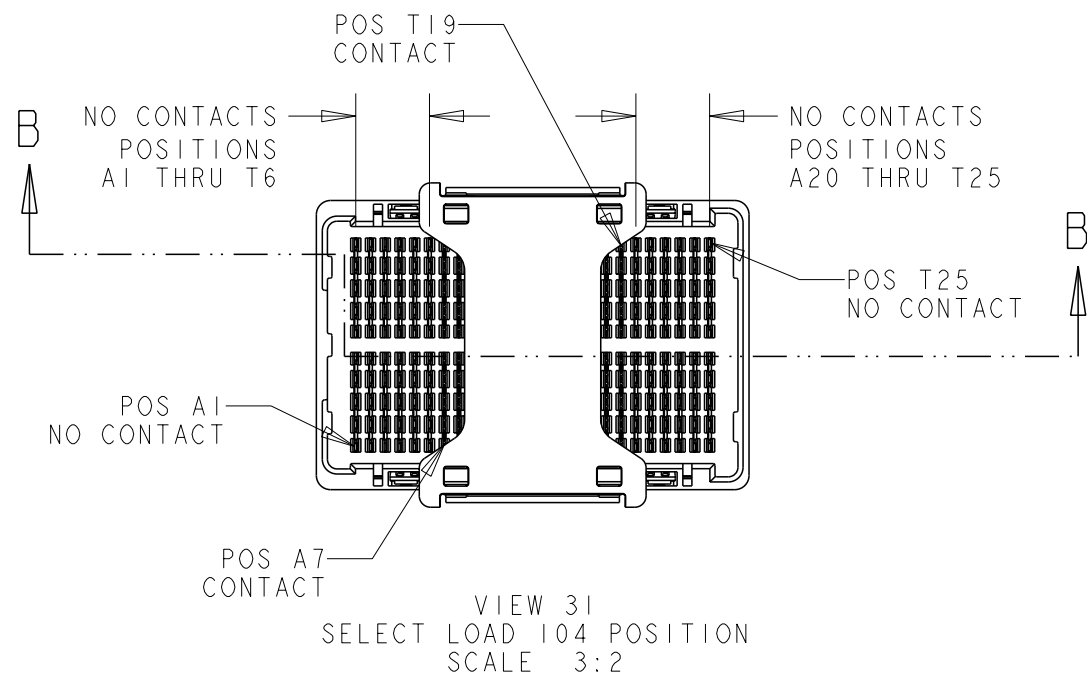
| | |
|-------------------|--|
| DIMENSIONS: mm | TOLERANCES UNLESS OTHERWISE SPECIFIED: |
| | 0 PLC ±- |
| | 1 PLC ±0.3 |
| | 2 PLC ±0.10 |
| | 3 PLC ±0.050 |
| | 4 PLC ±- |
| | ANGLES ±2° |
| MATERIAL | FINISH |
| - | - |

| | | |
|------------------|-------------|---------|
| DWN | P BRANDBERG | 17DEC04 |
| CHK | D WERTZ | 05JAN05 |
| APVD | D WERTZ | 05JAN05 |
| PRODUCT SPEC | 108-2143 | |
| APPLICATION SPEC | 114-13101 | |
| WEIGHT | - | |
| CUSTOMER DRAWING | | |

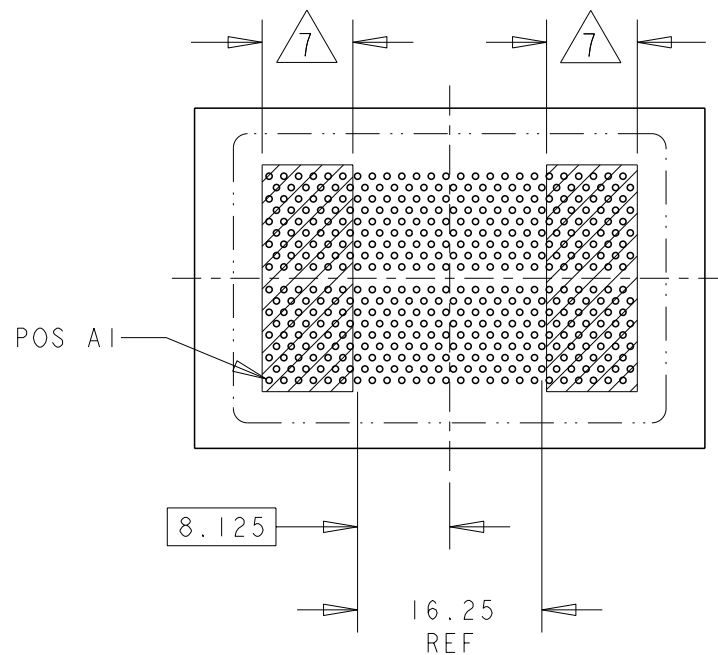
| | | | |
|---|-----------|-----------------|-----|
| | | TE Connectivity | |
| | | NAME | |
| STEP-Z, PLUG ASSEMBLY, 200 SIGNAL POSITION | | RESTRICTED TO | |
| SIZE | CAGE CODE | DRAWING NO | |
| A3 | 00779 | C-1761614 | |
| SCALE | | SHEET | REV |
| 2:1 | | 3 OF 5 | A7 |

printed on 27 Apr 2021 10:03 from FRO19828

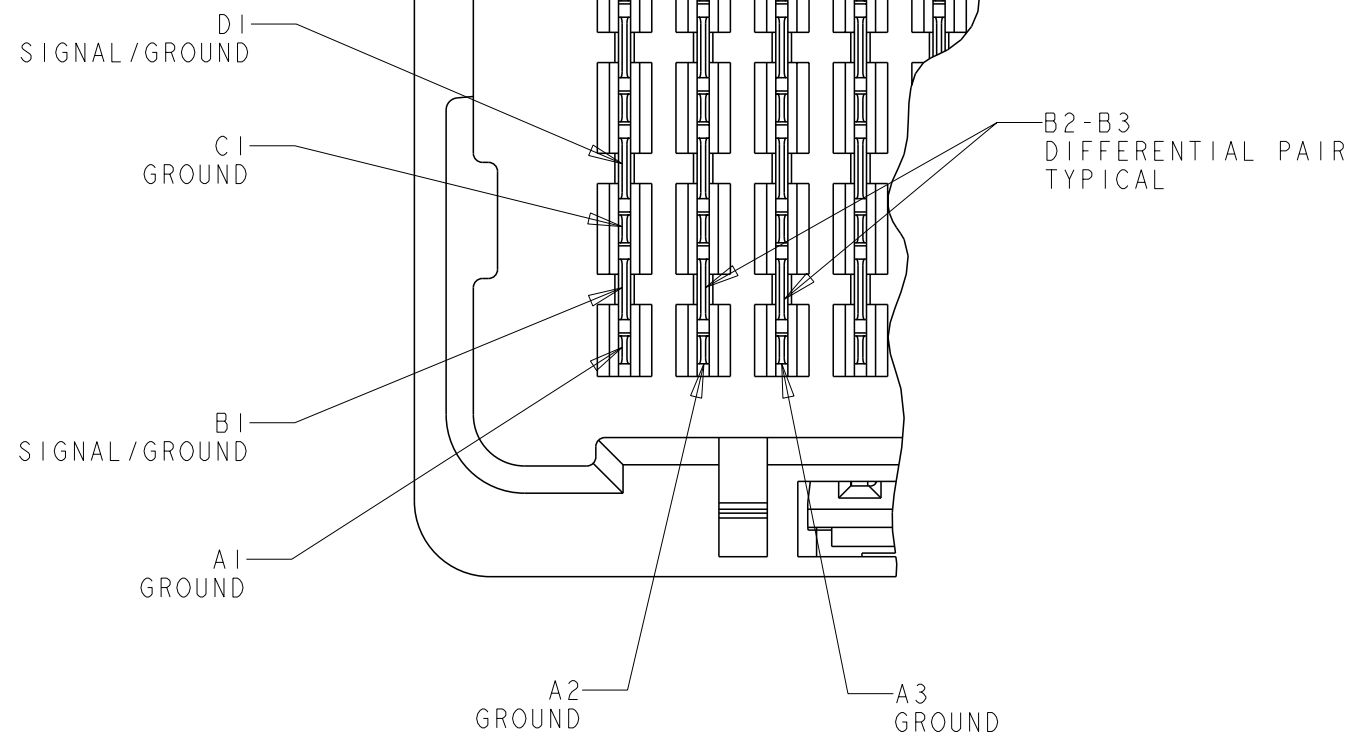
| REVISIONS | | | | | |
|-----------|-----|-------------|------|-----|------|
| P | LTR | DESCRIPTION | DATE | DWN | APVD |
| - | | SEE SHEET 1 | - | - | - |
| | | | | | |
| | | | | | |



SECTION B-B



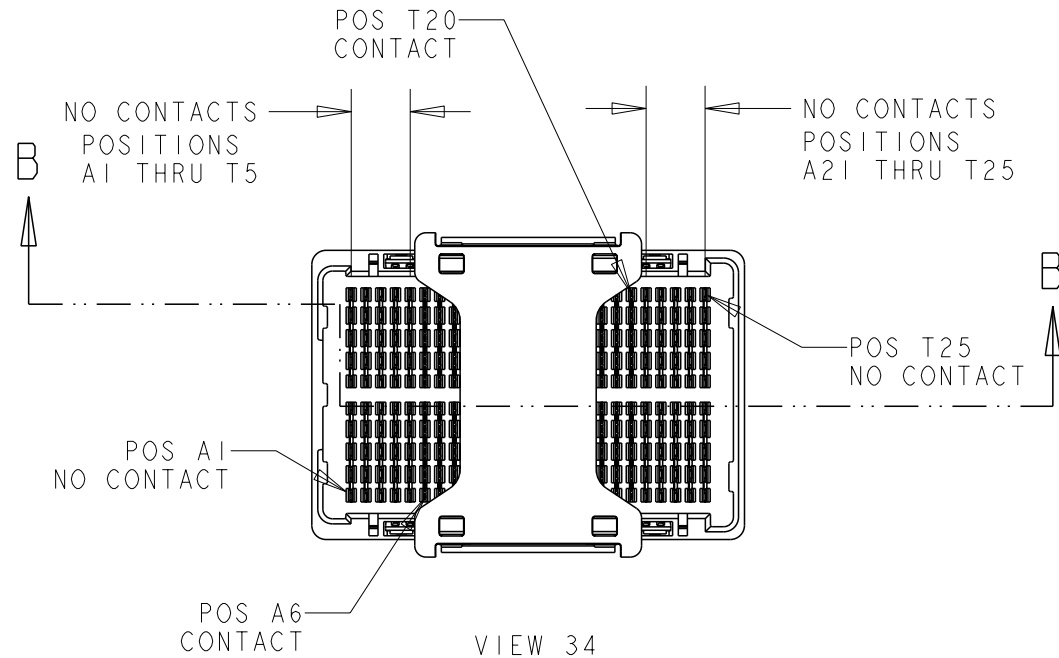
VIEW 31
SELECT LOAD 104 POSITION
BOARD PATTERN
SCALE 3:2



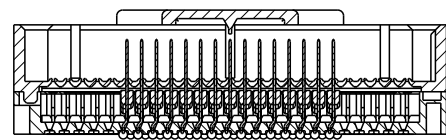
PLUG INTERFACE
SCALE 8:1

| | | | | | |
|--|--|-------------------------------|---|-------------------------|---------------|
| THIS DRAWING IS A CONTROLLED DOCUMENT. | | DWN P BRANDBERG 17DEC04 | | | |
| DIMENSIONS: mm | | CHK D WERTZ 05JAN05 | | | |
| TOLERANCES UNLESS OTHERWISE SPECIFIED: | | APVD D WERTZ 05JAN05 | NAME STEP-Z, PLUG ASSEMBLY, 200 SIGNAL POSITION | | |
| 0 PLC ±- | | PRODUCT SPEC 108-2143 | SIZE A3 | | |
| 1 PLC ±0.3 | | APPLICATION SPEC 114-13101 | CAGE CODE 300779 | DRAWING NO C-1761614 | RESTRICTED TO |
| 2 PLC ±0.10 | | WEIGHT - | SCALE 2:1 | | |
| 3 PLC ±0.050 | | SHEET 4 OF 5 | | | |
| 4 PLC ±- | | REV A7 | | | |
| ANGLES ±2° | | CUSTOMER DRAWING | | | |
| MATERIAL - | | FINISH - | | | |

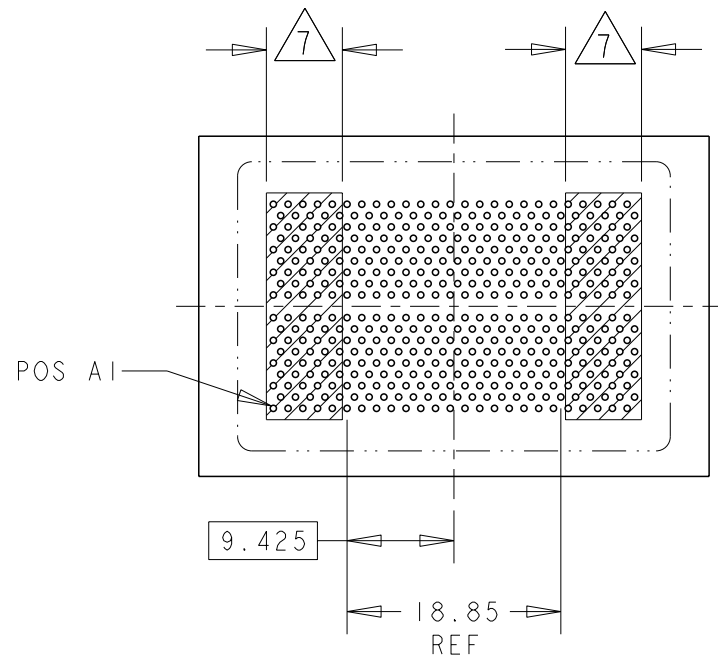
| P | LTR | DESCRIPTION | DATE | DWN | APVD |
|---|-----|-------------|------|-----|------|
| - | - | SEE SHEET 1 | - | - | - |
| | | | | | |
| | | | | | |



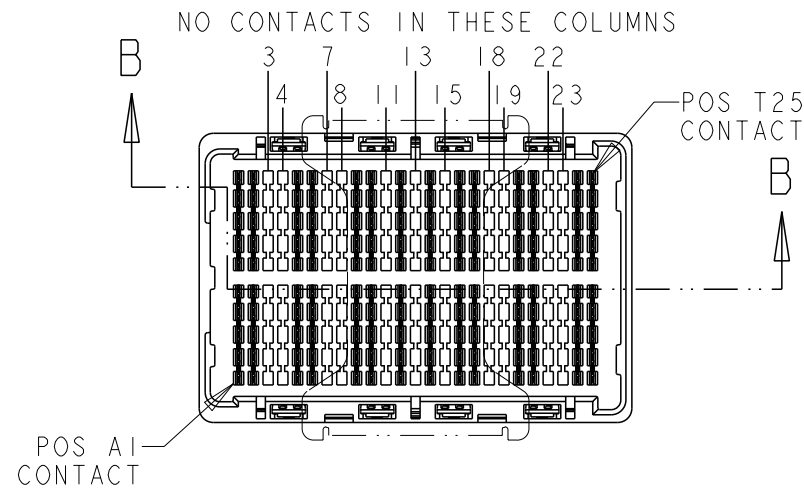
VIEW 34
SELECT LOAD 120 POSITION
SCALE 3:2



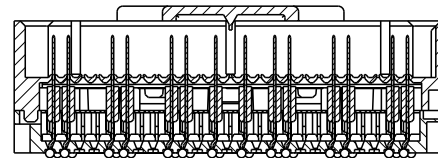
SECTION B-B



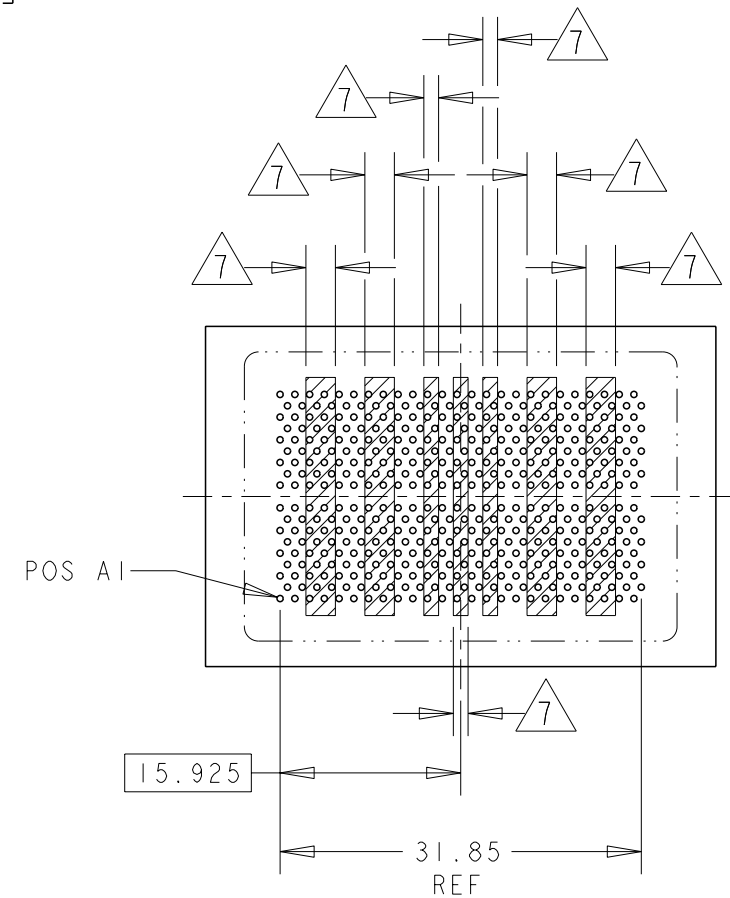
VIEW 34
SELECT LOAD 120 POSITION
BOARD PATTERN
SCALE 3:2



VIEW 35
SELECT LOAD 112 POSITION
SCALE 3:2



SECTION B-B



VIEW 35
SELECT LOAD 112 POSITION
BOARD PATTERN
SCALE 3:2

| | | | | | |
|--|--|-------------------------------|---|--|--|
| THIS DRAWING IS A CONTROLLED DOCUMENT. | | DWN P BRANDBERG 17DEC04 | | | |
| DIMENSIONS: mm | | CHK D WERTZ 05JAN05 | | | |
| TOLERANCES UNLESS OTHERWISE SPECIFIED: | | APVD D WERTZ 05JAN05 | NAME STEP-Z, PLUG ASSEMBLY, 200 SIGNAL POSITION | | |
| 0 PLC ±- | | PRODUCT SPEC 108-2143 | SIZE | | |
| 1 PLC ±0.3 | | APPLICATION SPEC 114-13101 | CAGE CODE | | |
| 2 PLC ±0.10 | | WEIGHT - | DRAWING NO A300779 | | |
| 3 PLC ±0.050 | | MATERIAL - | RESTRICTED TO | | |
| 4 PLC ±- | | | SCALE 2:1 | | |
| ANGLES ±2° | | SHEET 5 OF 5 | | | |
| FINISH - | | REV A7 | | | |
| CUSTOMER DRAWING | | SCALE 2:1 SHEET 5 OF 5 REV A7 | | | |

printed on 27 Apr 2021 10:03 from FRO19828