

# TPS735 500-mA, Low Quiescent Current, Low Noise, High PSRR, Low-Dropout Linear Regulator

## 1 Features

- Input Voltage: 2.7 V to 6.5 V
- 500-mA Low-Dropout Regulator With EN
- Low  $I_Q$ : 45  $\mu$ A
- Multiple Output Voltage Versions Available:
  - Fixed Outputs of 1.2 V to 4.3 V
  - Adjustable Outputs from 1.25 V to 6 V
- High PSRR: 68 dB at 1 kHz
- Low Noise: 13.2  $\mu$ V<sub>RMS</sub>
- Fast Start-Up Time: 45  $\mu$ s
- Stable With a Ceramic, 2.2- $\mu$ F, Low-ESR Output Capacitor
- Excellent Load and Line Transient Response
- 2% Overall Accuracy (Load, Line, and Temperature,  $V_{OUT} > 2.2$  V)
- Very Low Dropout: 280 mV at 500 mA
- 2-mm  $\times$  2-mm WSON-6 and 3-mm  $\times$  3-mm SON-8 Packages

## 2 Applications

- Post DC-DC Converter Ripple Filtering
- IP Network Cameras
- Macro Base Stations
- Thermostats

## 3 Description

The TPS735 low-dropout (LDO), low-power linear regulator offers excellent AC performance with very low ground current. High power-supply rejection ratio (PSRR), low noise, fast start-up, and excellent line and load transient responses are provided while consuming a very low 45- $\mu$ A (typical) ground current.

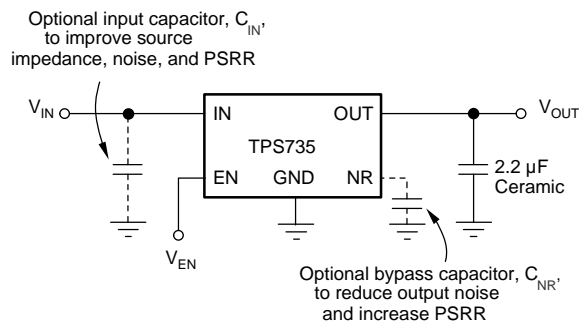
The TPS735 device is stable with ceramic capacitors and uses an advanced BiCMOS fabrication process to yield a typical dropout voltage of 280 mV at 500-mA output. The TPS735 device uses a precision voltage reference and feedback loop to achieve overall accuracy of 2% ( $V_{OUT} > 2.2$  V) over all load, line, process, and temperature variations. This device is fully specified from  $T_J = -40^\circ\text{C}$  to  $+125^\circ\text{C}$  and is offered in a low-profile, 3 mm  $\times$  3 mm SON-8 package and a 2 mm  $\times$  2 mm WSON-6 package.

### Device Information<sup>(1)</sup>

PART NUMBER	PACKAGE	BODY SIZE (NOM)
TPS735	WSON (6)	2.00 mm $\times$ 2.00 mm
	SON (8)	3.00 mm $\times$ 3.00 mm

(1) For all available packages, see the orderable addendum at the end of the data sheet.

### Typical Application



## Table of Contents

<b>1</b>	<b>Features</b> .....	<b>1</b>	<b>8</b>	<b>Application and Implementation</b> .....	<b>13</b>
<b>2</b>	<b>Applications</b> .....	<b>1</b>	8.1	Application Information.....	13
<b>3</b>	<b>Description</b> .....	<b>1</b>	8.2	Typical Applications .....	13
<b>4</b>	<b>Revision History</b> .....	<b>2</b>	<b>9</b>	<b>Power Supply Recommendations</b> .....	<b>16</b>
<b>5</b>	<b>Pin Configuration and Functions</b> .....	<b>4</b>	<b>10</b>	<b>Layout</b> .....	<b>16</b>
<b>6</b>	<b>Specifications</b> .....	<b>5</b>	10.1	Layout Guidelines .....	16
6.1	Absolute Maximum Ratings .....	5	10.2	Layout Example .....	16
6.2	ESD Ratings.....	5	10.3	Power Dissipation .....	17
6.3	Recommended Operating Conditions.....	5	10.4	Estimating Junction Temperature .....	18
6.4	Thermal Information .....	6	10.5	Package Mounting .....	19
6.5	Electrical Characteristics.....	7	<b>11</b>	<b>Device and Documentation Support</b> .....	<b>20</b>
6.6	Typical Characteristics .....	8	11.1	Device Support.....	20
<b>7</b>	<b>Detailed Description</b> .....	<b>10</b>	11.2	Documentation Support .....	20
7.1	Overview .....	10	11.3	Trademarks .....	20
7.2	Functional Block Diagrams .....	10	11.4	Electrostatic Discharge Caution.....	20
7.3	Feature Description.....	11	11.5	Glossary .....	20
7.4	Device Functional Modes.....	12	<b>12</b>	<b>Mechanical, Packaging, and Orderable Information</b> .....	<b>20</b>

## 4 Revision History

NOTE: Page numbers for previous revisions may differ from page numbers in the current version.

<b>Changes from Revision L (January 2015) to Revision M</b>		<b>Page</b>
• Updated data sheet text to latest data sheet and translation standards .....		1
• Changed "Ultra-Low Noise" to "Low Noise" in document title .....		1
• Changed Low $I_Q$ from 46 $\mu\text{A}$ to 45 $\mu\text{A}$ in <i>Features</i> , <i>Description</i> , and <i>Application Information</i> sections.....		1
• Changed "Standard" to "Ceramic" in <i>Features</i> list .....		1
• Changed 6-pin package from "SON" to "WSON" in <i>Features</i> list .....		1
• Deleted printers, WiFi®, WiMax Modules, cellular phones, smart phones and microprocessor power from <i>Applications</i> section .....		1
• Added post DC/DC ripple filtering, IP network cameras, macro base stations, and thermostats to <i>Applications</i> section .....		1
• Changed $T_A$ to $T_J$ in <i>Description</i> section .....		1
• Changed 6-pin package from "SON" to "WSON" in <i>Description</i> section .....		1
• Changed package in <i>Device Information</i> table from VSON (6) to WSON (6).....		1
• Changed 6-pin DRB package designator from "VSON" to "SON" in <i>Pin Configurations and Functions</i> section .....		4
• Changed 6-pin DRV package designator from "VSON" to "WSON" in <i>Pin Configurations and Functions</i> section .....		4
• Added "feedback resistor" parameter to <i>Recommended Operating Conditions</i> table .....		5
• Changed DRV package designator from "VSON" to "WSON" in <i>Thermal Information</i> table .....		6
• Changed DRB package designator from "VSON" to "SON" in <i>Thermal Information</i> table .....		6
• Changed <i>TPS735 Ground Pin Current (Disable) vs Temperature</i> in <i>Typical Characteristics</i> section .....		8
• Changed <i>TPS735 Dropout Voltage vs Output Current</i> in <i>Typical Characteristics</i> section.....		8
• Updated Equation 1 .....		14
• Changed x-axis scale from "10 ms/div" to "10 $\mu\text{s}/\text{div}$ " in <a href="#">Figure 17</a> .....		15
• Changed x-axis scale from "10 ms/div" to "10 $\mu\text{s}/\text{div}$ " in <a href="#">Figure 18</a> .....		15
• Changed $V_{OUT}$ starting value to 0 V in <a href="#">Figure 19</a> .....		15
• Updated Equation 2 .....		17
• Updated Equation 3 .....		17
• Changed DRV package designator from "SON" to "WSON" in <i>Measuring Points for <math>T_T</math> and <math>T_B</math></i> .....		19

**Revision History (continued)**

- Deleted references to thermal information documents in *Related Documentation* section ..... 20

**Changes from Revision K (August, 2013) to Revision L**
**Page**

- Added *ESD Ratings* table, *Feature Description* section, *Device Functional Modes, Application and Implementation* section, *Power Supply Recommendations* section, *Layout* section, *Device and Documentation Support* section, and *Mechanical, Packaging, and Orderable Information* sections ..... 1
- Added first bullet item in *Features* list ..... 1
- Changed fourth bullet item in *Features* list to "fixed outputs of 1.2 V" ..... 1
- Changed eighth bullet item in *Features* list ..... 1
- Changed last bullet in *Features* list ..... 1
- Changed last *Applications* list item ..... 1
- Changed *Pin Configuration and Functions* section; updated table format and pin descriptions to meet new standards ..... 4
- Changed  $C_{NR}$  value notation from 0.01  $\mu\text{F}$  to 10 nF throughout *Electrical Characteristics*..... 7
- Changed feedback voltage parameter values and measured test conditions ..... 7
- Changed output current limit maximum specified value ..... 7
- Changed power-supply rejection ratio typical specified values for 100 Hz, 10 kHz, and 100 kHz frequency test conditions ..... 7
- Added note (1) to [Figure 1](#) ..... 8
- Changed y-axis title for [Figure 6](#) ..... 8
- Changed y-axis title for [Figure 7](#) ..... 8
- Changed footnote for [Figure 13](#)..... 10
- Changed reference to noise-reduction capacitor ( $C_{NR}$ ) to feed-forward capacitor ( $C_{FF}$ ) in [Transient Response](#)..... 11
- Changed noise-reduction capacitor to feed-forward capacitor in [Figure 16](#) ..... 13
- Changed references to "noise-reduction capacitor" ( $C_{NR}$ ) to "feed-forward capacitor" ( $C_{FF}$ ) and section title from "Feedback Capacitor Requirements" to "Feed-forward Capacitor Requirements" in [Feed-Forward Capacitor Requirements](#) section ..... 14
- Changed  $C_{NR}$  value notation from 0.01  $\mu\text{F}$  to 10 nF in [Output Noise](#) section..... 14

**Changes from Revision J (May, 2011) to Revision K**
**Page**

- Added last sentence to first paragraph of *Startup and Noise Reduction Capacitor* section ..... 11

**Changes from Revision I (April, 2011) to Revision J**
**Page**

- Replaced the *Dissipation Ratings* with *Thermal Information*..... 6
- Revised conditions for [Typical Characteristics](#) to include statement about TPS73525 device availability ..... 8
- Added [Estimating Junction Temperature](#) section ..... 18
- Updated [Power Dissipation](#) section ..... 19

**Changes from Revision H (November, 2009) to Revision I**
**Page**

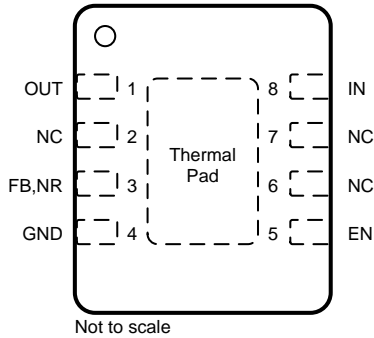
- Corrected typo in [Electrical Characteristics](#) table for  $V_{OUT}$  specification, DRV package test conditions,  $V_{OUT} \leq 2.2\text{V}$ ..... 7

**Changes from Revision G (March 2009) to Revision H**
**Page**

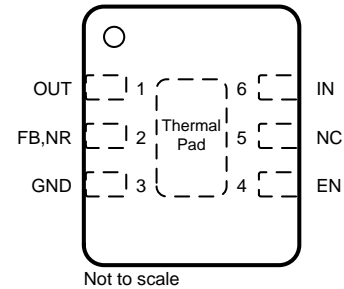
- Revised bullet point in *Features* list to show very low dropout of 280 mV ..... 1
- Changed dropout voltage typical specification from 250mV to 280mV ..... 7

## 5 Pin Configuration and Functions

**DRB Package**  
8-Pin SON With Exposed Thermal Pad  
Top View



**DRV Package**  
6-Pin WSON With Exposed Thermal Pad  
Top View



NC - No internal connection

### Pin Functions

NAME	PIN		I/O	DESCRIPTION
	NO			
	DRV	DRB		
IN	6	8	I	Input supply. A 0.1- $\mu$ F to 1- $\mu$ F, low ESR capacitor must be placed from this pin to ground near the device.
GND	3	4	—	Ground. The pad must be tied to GND.
EN	4	5	I	Driving the enable pin (EN) high turns on the regulator. Driving this pin low puts the regulator into shutdown mode. The EN pin can be connected to the IN pin if not used.
NR	2	3	—	This pin is only available for the fixed voltage versions. Connecting an external capacitor to this pin bypasses noise that is generated by the internal band gap and allows the output noise to be reduced to very low levels. The maximum recommended capacitor is 0.01 $\mu$ F.
FB	2	3	I	This pin is only available for the adjustable version. The FB pin is the input to the control-loop error amplifier, and is used to set the output voltage of the device. This pin must not be left floating.
OUT	1	1	O	This pin is the output of the regulator. A small, 2.2- $\mu$ F ceramic capacitor is required from this pin to ground to assure stability. The minimum output capacitance required for stability is 2 $\mu$ F.
NC	5	2, 6, 7	—	Not internally connected.
Thermal pad			—	

## 6 Specifications

### 6.1 Absolute Maximum Ratings

at  $-40^{\circ}\text{C} \leq T_J$  and  $T_A \leq +125^{\circ}\text{C}$  (unless otherwise noted). All voltages are with respect to GND.<sup>(1)</sup>

		MIN	MAX	UNIT
$V_{IN}$	Voltage	-0.3	7	V
$V_{EN}$		-0.3	$V_{IN} + 0.3$	V
$V_{FB}$		-0.3	1.6	V
$V_{OUT}$		-0.3	$V_{IN} + 0.3$	V
$I_{OUT}$	Current	Internally limited		A
$P_{D(tot)}$	Continuous total power dissipation	See <a href="#">Thermal Information</a>		
$T_J$	Operating junction temperature	-40	150	$^{\circ}\text{C}$
$T_{stg}$	Storage temperature	-55	150	$^{\circ}\text{C}$

- (1) Stresses beyond those listed as *Absolute Maximum Ratings* may cause permanent damage to the device. These are stress ratings only, and functional operation of the device at these or any other conditions beyond those indicated as *Recommended Operating Conditions* is not implied. Exposure to absolute-maximum-rated conditions for extended periods may affect device reliability.

### 6.2 ESD Ratings

		VALUE	UNIT
$V_{(ESD)}$ Electrostatic discharge	Human body model (HBM), per ANSI/ESDA/JEDEC JS-001, all pins <sup>(1)</sup>	$\pm 2000$	V
	Charged device model (CDM), per JEDEC specification JESD22-C101, all pins <sup>(2)</sup>	$\pm 500$	V

- (1) JEDEC document JEP155 states that 500-V HBM allows safe manufacturing with a standard ESD control process.  
(2) JEDEC document JEP157 states that 250-V CDM allows safe manufacturing with a standard ESD control process.

### 6.3 Recommended Operating Conditions

over operating junction temperature range (unless otherwise noted)

		MIN	NOM	MAX	UNIT
$V_{IN}$	Input voltage	2.7		6.5	V
$V_{OUT}$	Output voltage	$V_{FB}$		6	V
$I_{OUT}$	Output current <sup>(1)</sup>	0		500	mA
$T_A$	Operating free-air temperature	-40		125	$^{\circ}\text{C}$
$C_{IN}$	Input capacitor		1		$\mu\text{F}$
$C_{OUT}$	Output capacitor		2		$\mu\text{F}$
$C_{NR}$	Noise reduction capacitor		10		nF
$C_{FF}$	Feed-forward capacitor <sup>(2)</sup>	3	22	1000	pF
$R_2$	Feedback resistor <sup>(2)</sup>		110		k $\Omega$

- (1) When operating at  $T_J$  near  $125^{\circ}\text{C}$ ,  $I_{OUT(min)}$  is 500  $\mu\text{A}$ .  
(2) Adjustable version only.

## 6.4 Thermal Information

THERMAL METRIC <sup>(1)</sup>	TPS735 <sup>(2)</sup>		UNIT
	DRB (SON)	DRV (WSON)	
	8 PINS	6 PINS	
$R_{\theta JA}$ Junction-to-ambient thermal resistance <sup>(3)</sup>	52.2	65.1	°C/W
$R_{\theta JC(top)}$ Junction-to-case (top) thermal resistance <sup>(4)</sup>	59.4	85.6	°C/W
$R_{\theta JB}$ Junction-to-board thermal resistance	19.3	34.7	°C/W
$\psi_{JT}$ Junction-to-top characterization parameter <sup>(5)</sup>	2	1.6	°C/W
$\psi_{JB}$ Junction-to-board characterization parameter <sup>(6)</sup>	19.3	35.1	°C/W
$R_{\theta JC(bot)}$ Junction-to-case (bottom) thermal resistance <sup>(7)</sup>	11.8	5.8	°C/W

- (1) For more information about traditional and new thermal metrics, see the [Semiconductor and IC Package Thermal Metrics](#) application report.
- (2) Thermal data for the DRB, DCQ, and DRV packages are derived by thermal simulations based on JEDEC-standard methodology as specified in the JESD51 series. The following assumptions are used in the simulations:
  - (a) i. DRB: The exposed pad is connected to the PCB ground layer through a 2 x 2 thermal via array.  
ii. DRV: The exposed pad is connected to the PCB ground layer through a 2 x 2 thermal via array. Due to size limitation of thermal pad, 0.8-mm pitch array is used which is off the JEDEC standard.
  - (b) i. DRB: The top and bottom copper layers are assumed to have a 20% thermal conductivity of copper representing a 20% copper coverage.  
ii. DRV: The top and bottom copper layers are assumed to have a 20% thermal conductivity of copper representing a 20% copper coverage.
  - (c) These data were generated with only a single device at the center of a JEDEC high-K (2s2p) board with 3-in x 3-in copper area. To understand the effects of the copper area on thermal performance, see the [Power Dissipation](#) and [Estimating Junction Temperature](#) sections.
- (3) The junction-to-ambient thermal resistance under natural convection is obtained in a simulation on a JEDEC-standard, high-K board, as specified in JESD51-7, in an environment described in JESD51-2a.
- (4) The junction-to-case (top) thermal resistance is obtained by simulating a cold plate test on the top of the package. No specific JEDEC-standard test exists, but a close description can be found in the ANSI SEMI standard G30-88.
- (5) The junction-to-top characterization parameter,  $\psi_{JT}$ , estimates the junction temperature of a device in a real system and is extracted from the simulation data to obtain  $\theta_{JA}$  using a procedure described in JESD51-2a (sections 6 and 7).
- (6) The junction-to-board characterization parameter,  $\psi_{JB}$ , estimates the junction temperature of a device in a real system and is extracted from the simulation data to obtain  $\theta_{JA}$  using a procedure described in JESD51-2a (sections 6 and 7).
- (7) The junction-to-case (bottom) thermal resistance is obtained by simulating a cold plate test on the exposed (power) pad. No specific JEDEC standard test exists, but a close description can be found in the ANSI SEMI standard G30-88.

## 6.5 Electrical Characteristics

over operating temperature range ( $-40^{\circ}\text{C} \leq T_J \leq 125^{\circ}\text{C}$ ),  $V_{\text{IN}} = V_{\text{OUT}(\text{nom})} + 0.5 \text{ V}$  or  $2.7 \text{ V}$  (whichever is greater),  $I_{\text{OUT}} = 1 \text{ mA}$ ,  $V_{\text{EN}} = V_{\text{IN}}$ ,  $C_{\text{OUT}} = 2.2 \mu\text{F}$ , and  $C_{\text{NR}} = 10 \text{ nF}$  (unless otherwise noted). For the adjustable version (TPS73501),  $V_{\text{OUT}} = 3 \text{ V}$ . Typical values are at  $T_A = 25^{\circ}\text{C}$ .

PARAMETER	TEST CONDITIONS	MIN	TYP	MAX	UNIT	
$V_{\text{IN}}$	Input voltage <sup>(1)</sup>	2.7		6.5	V	
$V_{\text{FB}}$	Internal reference (adjustable version only)	$T_J = 25^{\circ}\text{C}$	1.196	1.208	1.220	V
$V_{\text{OUT}}$	Output voltage range (adjustable version only)		$V_{\text{FB}}$	6	V	
	DC output accuracy <sup>(1)</sup>	$1 \text{ mA} \leq I_{\text{OUT}} \leq 500 \text{ mA}$ , $V_{\text{OUT}} + 0.5 \text{ V} \leq V_{\text{IN}} < 6.5 \text{ V}$	$V_{\text{OUT}} > 2.2 \text{ V}$	-2%	$\pm 1\%$	2%
			$V_{\text{OUT}} \leq 2.2 \text{ V}$	-3%	$\pm 1\%$	3%
$\Delta V_{\text{OUT}(\Delta V_{\text{IN}})}$	Line regulation <sup>(1)</sup>	$V_{\text{OUT}(\text{nom})} + 0.5 \text{ V} \leq V_{\text{IN}} \leq 6.5 \text{ V}$		0.02		%/V
$\Delta V_{\text{OUT}(\Delta I_{\text{OUT}})}$	Load regulation	$500 \mu\text{A} \leq I_{\text{OUT}} \leq 500 \text{ mA}$		0.005		%/mA
$V_{\text{DO}}$	Dropout voltage <sup>(2)</sup> ( $V_{\text{IN}} = V_{\text{OUT}(\text{nom})} - 0.1 \text{ V}$ )	$I_{\text{OUT}} = 500 \text{ mA}$		280	500	mV
$I_{\text{LIM}}$	Output current limit	$V_{\text{OUT}} = 0.9 \times V_{\text{OUT}(\text{nom})}$ , $V_{\text{IN}} = V_{\text{OUT}(\text{nom})} + 0.9 \text{ V}$ $V_{\text{IN}} \geq 2.7 \text{ V}$	800	1170	1900	mA
$I_{\text{GND}}$	Ground pin current	$10 \text{ mA} \leq I_{\text{OUT}} \leq 500 \text{ mA}$		45	65	$\mu\text{A}$
$I_{\text{SHDN}}$	Shutdown current	$V_{\text{EN}} \leq 0 \text{ V}$		0.15	1	$\mu\text{A}$
$I_{\text{FB}}$	Feedback pin current (adjustable version only)	$V_{\text{OUT}(\text{nom})} = 1.2 \text{ V}$	-0.5		0.5	$\mu\text{A}$
$\text{PSRR}$	Power-supply rejection ratio	$V_{\text{IN}} = 3.85 \text{ V}$ $V_{\text{OUT}} = 2.85 \text{ V}$ $C_{\text{NR}} = 0.01 \mu\text{F}$ $I_{\text{OUT}} = 100 \text{ mA}$	$f = 100 \text{ Hz}$		66	dB
			$f = 1 \text{ kHz}$		68	
			$f = 10 \text{ kHz}$		44	
			$f = 100 \text{ kHz}$		22	
$V_n$	Output noise voltage	BW = 10 Hz to 100 kHz, $V_{\text{OUT}} = 2.8 \text{ V}$	$C_{\text{NR}} = 10 \text{ nF}$		$11 \times V_{\text{OUT}}$	$\mu\text{V}_{\text{RMS}}$
			$C_{\text{NR}} = \text{none}$		$95 \times V_{\text{OUT}}$	
$t_{\text{STR}}$	Start-up time		$C_{\text{NR}} = \text{none}$		45	$\mu\text{s}$
			$C_{\text{NR}} = 1 \text{ nF}$		45	
			$C_{\text{NR}} = 10 \text{ nF}$		50	
			$C_{\text{NR}} = 47 \text{ nF}$		50	
$V_{\text{EN}(\text{HI})}$	Enable high (enabled)		1.2		V	
$V_{\text{EN}(\text{LO})}$	Enable low (shutdown)			0.4	V	
$I_{\text{EN}(\text{HI})}$	Enable pin current, enabled	$V_{\text{EN}} = V_{\text{IN}} = 6.5 \text{ V}$		0.03	1	$\mu\text{A}$
$T_{\text{sd}}$	Thermal shutdown temperature	Shutdown, temperature increasing		165		$^{\circ}\text{C}$
		Reset, temperature decreasing		145		
UVLO	Undervoltage lockout	$V_{\text{IN}}$ rising	1.9	2.2	2.65	V
$V_{\text{hys}}$	Hysteresis	$V_{\text{IN}}$ falling		70		mV

(1) Minimum  $V_{\text{IN}} = V_{\text{OUT}} + V_{\text{DO}}$  or  $2.7 \text{ V}$ , whichever is greater.

(2)  $V_{\text{DO}}$  is not measured for this family of devices with  $V_{\text{OUT}(\text{nom})} < 2.8 \text{ V}$  because the minimum  $V_{\text{IN}} = 2.7 \text{ V}$ .

### 6.6 Typical Characteristics

over operating temperature range ( $T_J = -40^\circ\text{C}$  to  $+125^\circ\text{C}$ ),  $V_{IN} = V_{OUT(nom)} + 0.5\text{ V}$  or  $2.7\text{ V}$ , whichever is greater;  $I_{OUT} = 1\text{ mA}$ ,  $V_{EN} = V_{IN}$ ,  $C_{OUT} = 2.2\ \mu\text{F}$ ,  $C_{NR} = 10\text{ nF}$ . Typical values are at  $T_J = 25^\circ\text{C}$ , (unless otherwise noted).

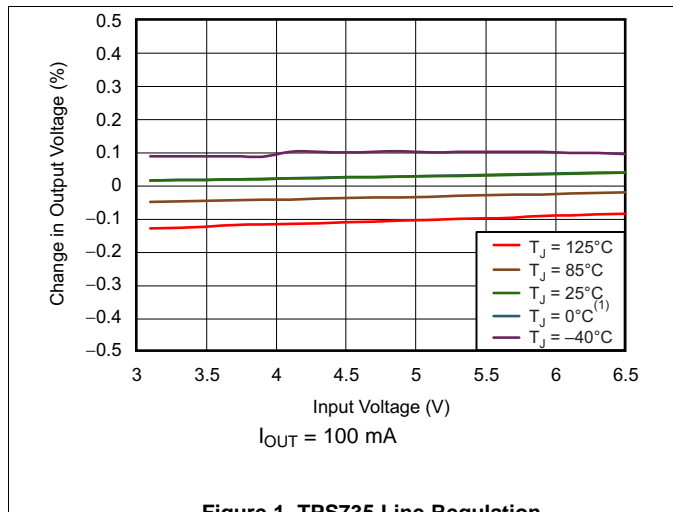


Figure 1. TPS735 Line Regulation

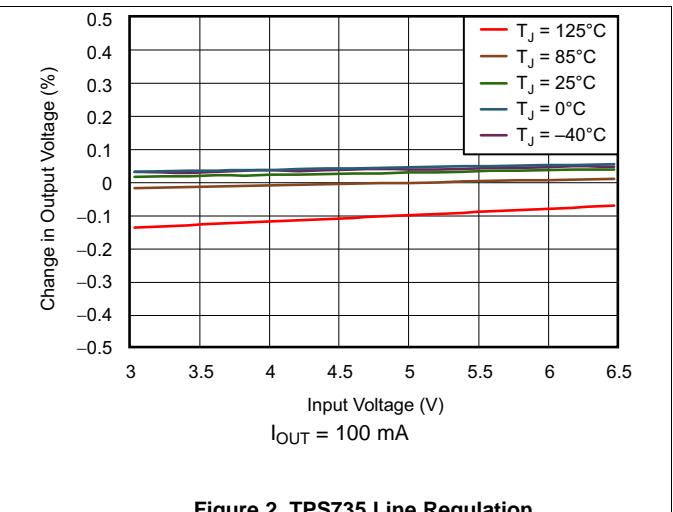


Figure 2. TPS735 Line Regulation

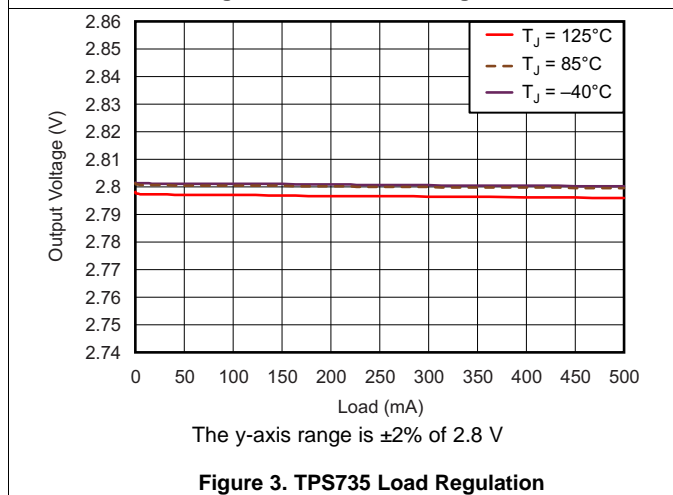


Figure 3. TPS735 Load Regulation

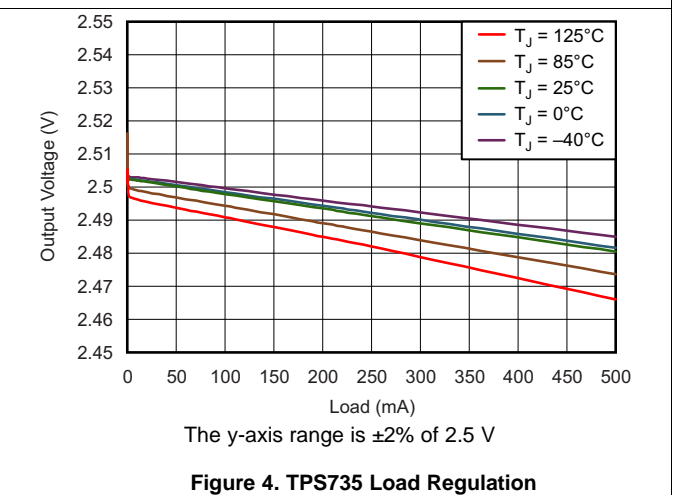


Figure 4. TPS735 Load Regulation

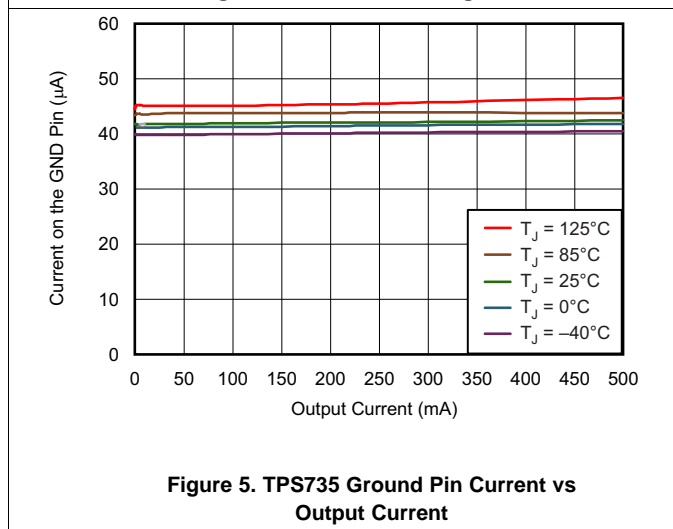


Figure 5. TPS735 Ground Pin Current vs Output Current

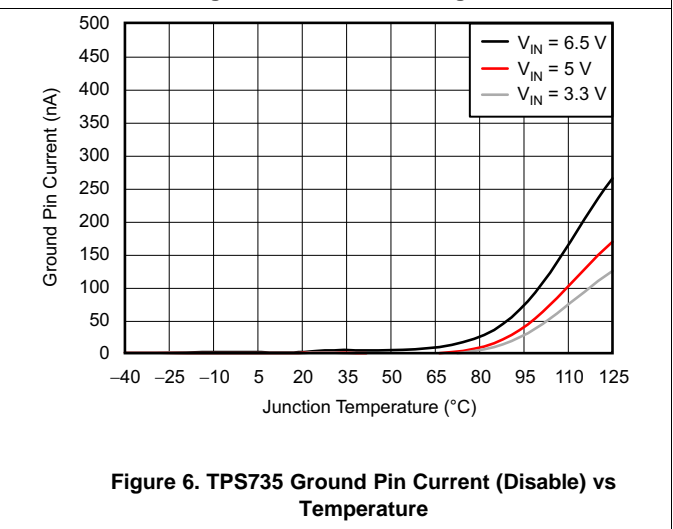


Figure 6. TPS735 Ground Pin Current (Disable) vs Temperature



Typical Characteristics (continued)

over operating temperature range ( $T_J = -40^\circ\text{C}$  to  $+125^\circ\text{C}$ ),  $V_{IN} = V_{OUT(nom)} + 0.5\text{ V}$  or  $2.7\text{ V}$ , whichever is greater;  $I_{OUT} = 1\text{ mA}$ ,  $V_{EN} = V_{IN}$ ,  $C_{OUT} = 2.2\ \mu\text{F}$ ,  $C_{NR} = 10\text{ nF}$ . Typical values are at  $T_J = 25^\circ\text{C}$ , (unless otherwise noted).

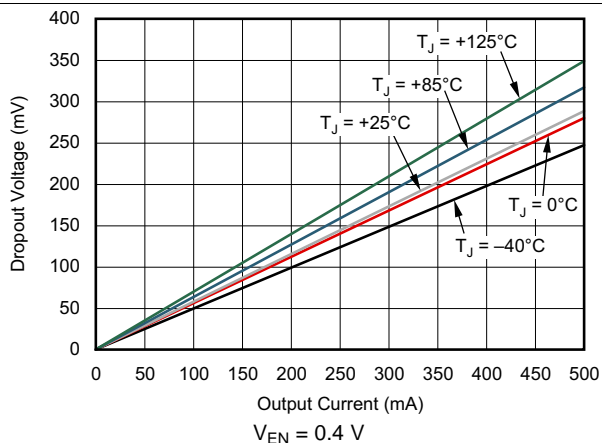


Figure 7. TPS735 Dropout Voltage vs Output Current

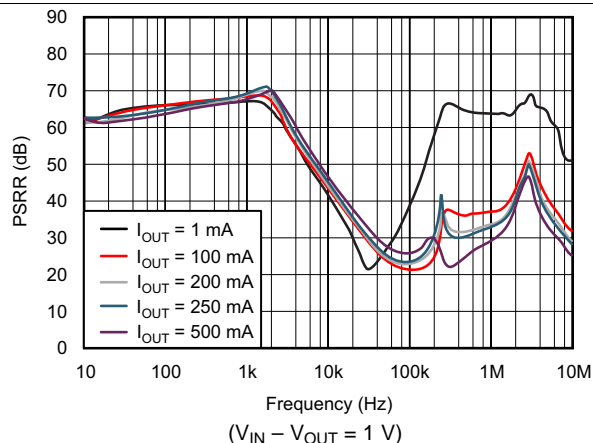


Figure 8. Power-Supply Ripple Rejection vs Frequency

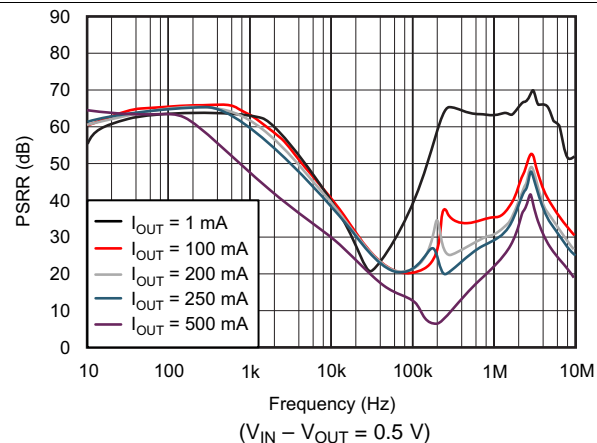


Figure 9. Power-Supply Ripple Rejection vs Frequency

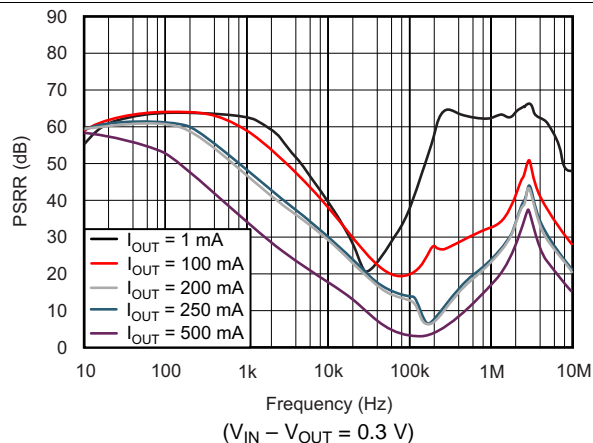


Figure 10. Power-Supply Ripple Rejection vs Frequency

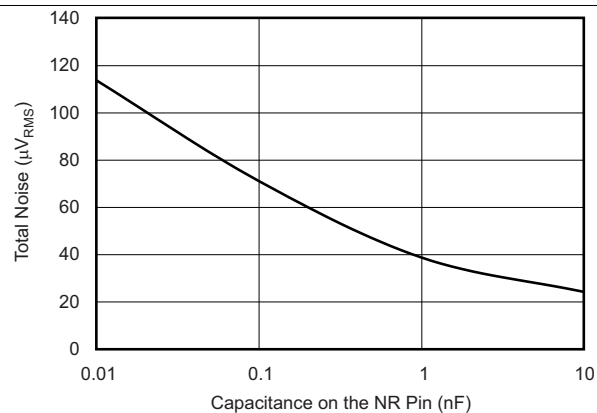


Figure 11. TPS73525 RMS Noise vs  $C_{NR}$

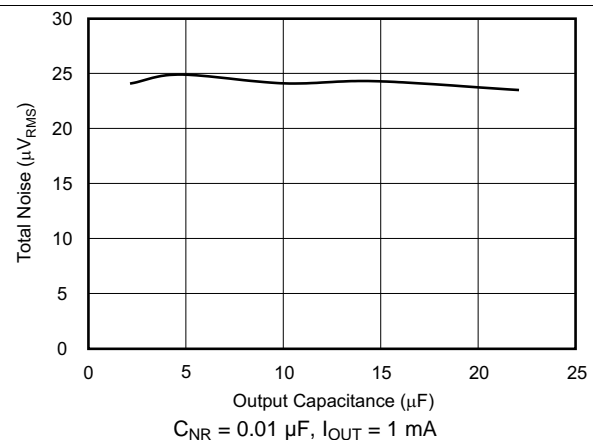


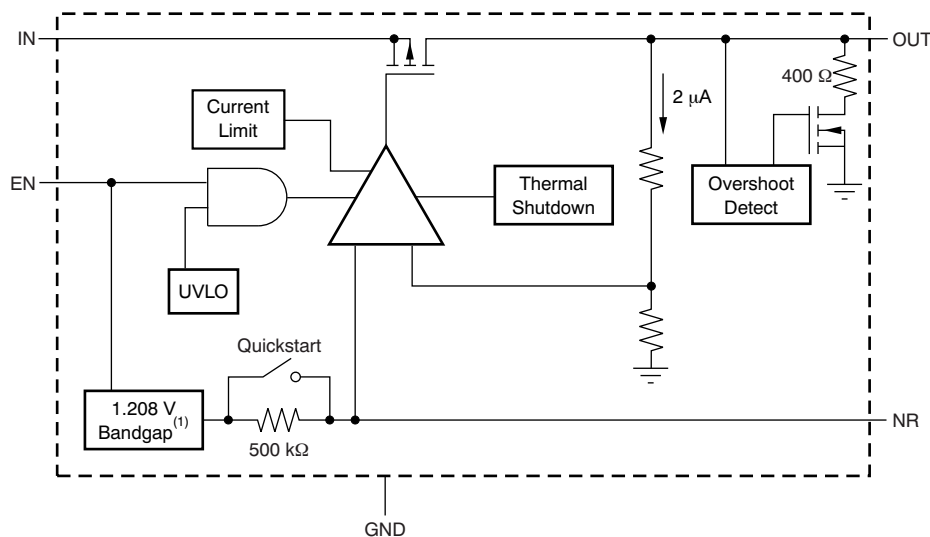
Figure 12. TPS735 RMS Noise vs  $C_{OUT}$

## 7 Detailed Description

### 7.1 Overview

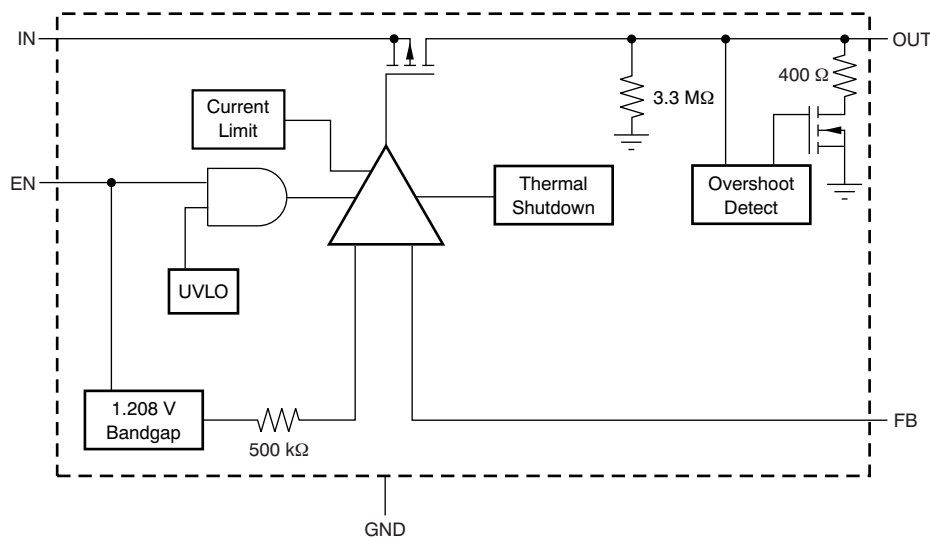
The TPS735 of low dropout (LDO) regulator combines the high performance required by radio frequency (RF) and precision analog applications with ultra-low current consumption. High PSRR is provided by a high-gain, high-bandwidth error loop with good supply rejection and very low headroom ( $V_{IN} - V_{OUT}$ ). Fixed voltage versions provide a noise reduction pin to bypass noise that is generated by the band-gap reference and to improve PSRR. A quick-start circuit fast-charges this capacitor at start-up. The combination of high performance and low ground current make the TPS735 device designed for portable applications. All versions have thermal and overcurrent protection and are specified from  $-40^{\circ}\text{C} \leq T_J \leq +125^{\circ}\text{C}$ .

### 7.2 Functional Block Diagrams



(1) The 1.2-V fixed voltage version has a 1-V band gap instead of a 1.208-V circuit.

**Figure 13. Fixed Voltage Versions**



**Figure 14. Adjustable Voltage Versions**

## 7.3 Feature Description

### 7.3.1 Internal Current Limit

The TPS735 internal current limit protects the regulator during fault conditions. During current limit, the output sources a fixed amount of current that is independent of the output voltage. For reliable operation, do not operate the device in current limit for extended periods of time.

The PMOS pass element in the TPS735 device contains a built-in body diode that conducts current when the voltage at the OUT pin exceeds the voltage at the IN pin. This current is not limited, so if extended reverse voltage operation is expected, external limiting is appropriate.

### 7.3.2 Shutdown

The enable pin (EN) is active high and is compatible with standard and low-voltage TTL-CMOS levels. When shutdown capability is not required, the EN pin can connect to the IN pin.

### 7.3.3 Dropout Voltage

The TPS735 device uses a PMOS pass transistor to achieve low dropout. When  $(V_{IN} - V_{OUT})$  is less than the dropout voltage ( $V_{DO}$ ), the PMOS pass device is in the linear region of operation and the input-to-output resistance ( $R_{(IN/OUT)}$ ) of the PMOS pass element.  $V_{DO}$  scales with the output current because the PMOS device operates like a resistor in dropout.

As with any linear regulator, PSRR and transient response degrades as  $(V_{IN} - V_{OUT})$  approaches dropout. [Typical Characteristics](#) shows this effect; (see [Figure 8](#) through [Figure 10](#)).

### 7.3.4 Start-Up and Noise Reduction Capacitor

Fixed voltage versions of the TPS735 use a quick-start circuit to charge the noise reduction (NR) capacitor ( $C_{NR}$ ) if present (see [Functional Block Diagrams](#)). This architecture allows the combination of low output noise and fast start-up times. The NR pin is high impedance so a low-leakage  $C_{NR}$  capacitor must be used. Most ceramic capacitors are appropriate in this configuration. A high-quality, COG-type (NPO) dielectric ceramic capacitor is recommended for  $C_{NR}$  when used in environments where abrupt changes in temperature can occur.

For the fastest start-up, first apply  $V_{IN}$ , then drive the enable (EN) pin high. If EN is tied to IN, start-up is slower. See [Typical Applications](#). The quick-start switch closes for approximately 135  $\mu$ s. To ensure that  $C_{NR}$  is charged during the quick-start time, use a capacitor with a value of no more than 0.01  $\mu$ F.

### 7.3.5 Transient Response

As with any regulator, increasing the size of the output capacitor reduces overshoot and undershoot magnitude but increases the transient response duration. In the adjustable version, adding  $C_{FF}$  between the OUT and FB pins improves stability and transient response performance. The transient response of the TPS735 device is enhanced by an active pulldown that engages when the output overshoots by approximately 5% or more when the device is enabled. The pull-down device operates like a 400- $\Omega$  resistor to ground when enabled.

### 7.3.6 Undervoltage Lockout

The TPS735 device uses an undervoltage lockout circuit to disable the output until the internal circuitry is operates properly. The UVLO circuit contains a deglitch feature so that the UVLO ignores undershoot transients on the input if the transients are less than 50  $\mu$ s in duration.

### 7.3.7 Minimum Load

The TPS735 device is stable with no output load. To meet the specified accuracy, a minimum load of 500  $\mu$ A is required. If the output is below 500  $\mu$ A and if the junction temperature is approximately 125°C, the output can increase enough to turn on the output pulldown. The output pulldown limits voltage drift to 5% (typically) but ground current can increase by approximately 50  $\mu$ A. In most applications, the junction does not reach high temperatures at light loads because little power is dissipated. As a result, the specified ground current is valid at no load in most applications.

## Feature Description (continued)

### 7.3.8 Thermal Protection

Thermal protection disables the output when the junction temperature increases to approximately 165°C, which allows the device to cool. When the junction temperature cools to approximately 145°C, the output circuitry is enabled. Depending on power dissipation, thermal resistance, and ambient temperature, the thermal protection circuit cycles on and off. This cycling limits the dissipation of the regulator and protects the regulator from damage as a result of overheating.

Any tendency to activate the thermal protection circuit indicates excessive power dissipation or an inadequate heat sink. For reliable operation, limit junction temperature to 125°C (maximum). To estimate the thermal margin in a complete design (including heat sink), increase the ambient temperature until the thermal protection is triggered. Use worst-case loads and signal conditions. For reliable operation, trigger thermal protection at least 40°C above the maximum expected ambient condition of a particular application. This configuration produces a worst-case junction temperature of 125°C at the highest expected ambient temperature and worst-case load.

The internal protection circuitry of the TPS735 protects against overload conditions. This protection circuitry is not intended to replace proper heat sinking. Continuously running the TPS735 into thermal shutdown degrades device reliability.

## 7.4 Device Functional Modes

### 7.4.1 Normal Operation

The device regulates to the nominal output voltage under the following conditions:

- The input voltage previously exceeded the UVLO voltage and did not decrease below the UVLO threshold minus  $V_{hys}$ .
- The input voltage is greater than the nominal output voltage that is added to the dropout voltage.
- The enable voltage has previously exceeded the enable rising threshold voltage and has not decreased below the enable falling threshold.
- The output current is less than the current limit.
- The device junction temperature is within the specified range.

### 7.4.2 Dropout Operation

If the input voltage is lower than the nominal output voltage plus the specified dropout voltage, but all other conditions are met for normal operation, the device operates in dropout mode. In this condition, the output voltage is equal to the input voltage minus the dropout voltage. The transient performance of the device degrades because the pass device is in a triode state and the LDO operates like a resistor. Line or load transients in dropout can result in large output voltage deviations.

### 7.4.3 Disabled

The device is disabled under the following conditions:

- The input voltage is less than the UVLO threshold minus  $V_{hys}$ , or has not yet exceeded the UVLO threshold.
- The enable voltage is less than the enable falling threshold voltage or has not yet exceeded the enable rising threshold.
- The device junction temperature is greater than the thermal shutdown temperature.

[Table 1](#) lists the conditions that result in different modes of operation.

**Table 1. Device Functional Mode Comparison**

OPERATING MODE	PARAMETER			
	$V_{IN}$	$V_{EN}$	$I_{OUT}$	$T_J$
Normal mode	$V_{IN} > V_{OUTnom} + V_{DO}$ and $V_{IN} > UVLO$	$V_{EN} > V_{EN(HI)}$	$I_{OUT} < I_{LIM}$	$T_J < 125^{\circ}C$
Dropout mode	$UVLO < V_{IN} < V_{OUTnom} + V_{DO}$	$V_{EN} > V_{EN(HI)}$	—	$T_J < 165^{\circ}C$
Disabled mode (any true condition disables the device)	$V_{IN} < UVLO - V_{hys}$	$V_{EN} < V_{EN(LO)}$	—	$T_J > 165^{\circ}C$

## 8 Application and Implementation

### NOTE

Information in the following applications sections is not part of the TI component specification, and TI does not warrant its accuracy or completeness. TI's customers are responsible for determining suitability of components for their purposes. Customers should validate and test their design implementation to confirm system functionality.

### 8.1 Application Information

The TPS735 LDO regulator provides a design with an ultra-low noise, high PSRR, low-dropout linear regulation with a very small ground current (5  $\mu$ A, typical).

The devices are stable with ceramic capacitors and have a dropout voltage of 280 mV at the full output rating of 500 mA. The features of the TPS735 device enables the LDO regulators to be used in a wide variety of applications with minimal design complexity.

### 8.2 Typical Applications

Figure 15 shows the basic circuit connections for fixed-voltage models. Figure 16 shows the connections for the adjustable output version.  $R_1$  and  $R_2$  can be calculated for any output voltage using the formula in Figure 16.

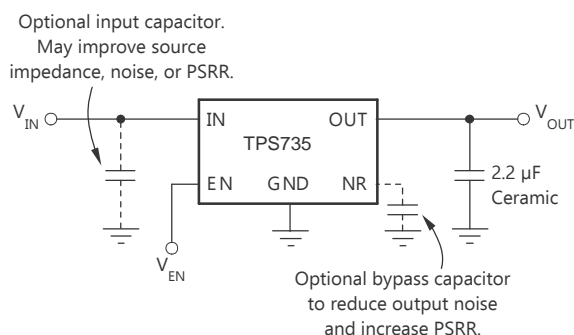


Figure 15. Typical Application Circuit for Fixed-Voltage Versions

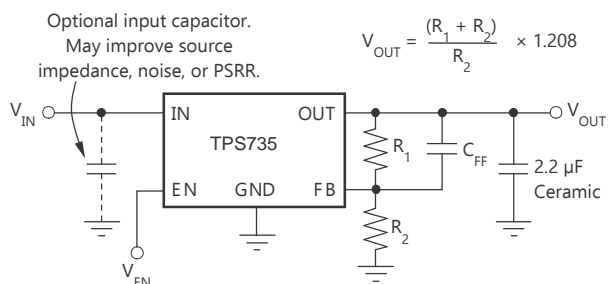


Figure 16. Typical Application Circuit for Adjustable-Voltage Versions

## Typical Applications (continued)

### 8.2.1 Design Requirements

#### 8.2.1.1 Input and Output Capacitor Requirements

Although an input capacitor is not required for stability, connecting a 0.1- $\mu$ F to 1- $\mu$ F low-equivalent series-resistance (ESR) capacitor across the input supply near the regulator is good analog design practice. This capacitor counteracts reactive input sources and improves transient response and ripple rejection. A higher-value capacitor may be required if large, fast, rise-time load transients are expected, or if the device is located several inches from the power source. If source impedance is not sufficiently low, a 0.1- $\mu$ F input capacitor may be required to ensure stability.

The TPS735 device is designed to be stable with standard ceramic output capacitors of values 2  $\mu$ F or larger. X5R- and X7R-type capacitors are best because these capacitors feature minimal variation in value and ESR over temperature. Maximum ESR of the output capacitor is  $< 1 \Omega$  and, therefore, the output capacitor type must be ceramic or conductive polymer electrolytic.

#### 8.2.1.2 Feed-Forward Capacitor Requirements

The feed-forward capacitor ( $C_{FF}$ ), shown in [Figure 16](#), is required for stability. For a parallel combination of  $R_1$  and  $R_2$  equal to 250 k $\Omega$ , any value between 3 pF to 1 nF can be used. Fixed-voltage versions have an internal 30-pF feed-forward capacitor that is quick-charged at start-up. Larger value capacitors improve noise slightly. The TPS735 device is stable in unity-gain configurations (the OUT pin is tied to the FB pin) without  $C_{FF}$ .

### 8.2.2 Detailed Design Procedure

#### 8.2.2.1 Output Noise

In most LDO regulators, the band gap is the dominant noise source. If a noise-reduction capacitor ( $C_{NR}$ ) is used with the TPS735 device, the band gap does not contribute significantly to noise. Noise is dominated by the output resistor divider and the error-amplifier input. To minimize noise in a given application, use a 10-nF noise reduction capacitor. For the adjustable version, smaller value resistors in the output resistor divider reduce noise. A parallel combination that produces 2  $\mu$ A of divider current has the same noise performance as a fixed voltage version with a  $C_{NR}$ . To further optimize noise, set the ESR of the output capacitor to approximately 0.2  $\Omega$ . This configuration maximizes phase margin in the control loop, which reduces the total output noise up to 10%. TI recommends a maximum capacitor value of 10 nF.

[Equation 1](#) calculates the approximate integrated output noise from 10 Hz to 100 kHz with a  $C_{NR}$  value of 10 nF.

$$V_n (\mu V_{RMS}) = 11 (\mu V_{RMS} / V) \times V_{OUT} (V) \quad (1)$$

The TPS735 adjustable version does not have the noise-reduction pin available, so ultra-low noise operation is not possible. Noise is minimized according to the previously listed recommendations.

Typical Applications (continued)

8.2.3 Application Curves

at  $V_{IN} = V_{OUT(nom)} + 0.5\text{ V}$  or  $2.7\text{ V}$ , whichever is greater;  $I_{OUT} = 1\text{ mA}$ ,  $V_{EN} = V_{IN}$ ,  $C_{OUT} = 2.2\text{ }\mu\text{F}$ ,  $C_{NR} = 10\text{ nF}$ , and  $T_J = 25^\circ\text{C}$  (unless otherwise noted)

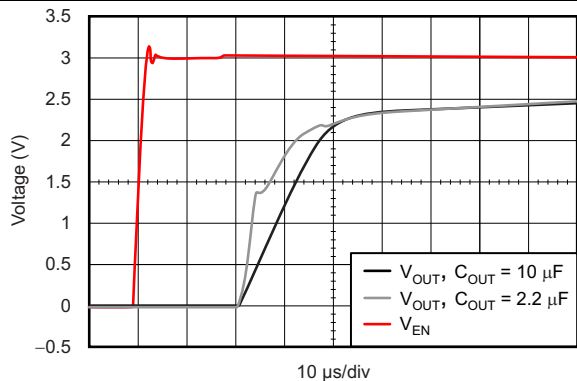


Figure 17. TPS735 Turnon Response ( $V_{IN} = V_{EN}$ )

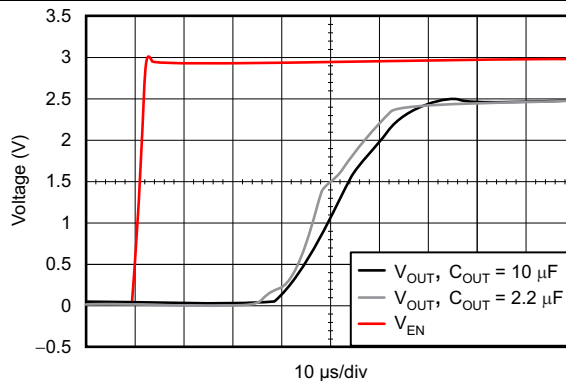


Figure 18. TPS735 Turnon Response Using EN

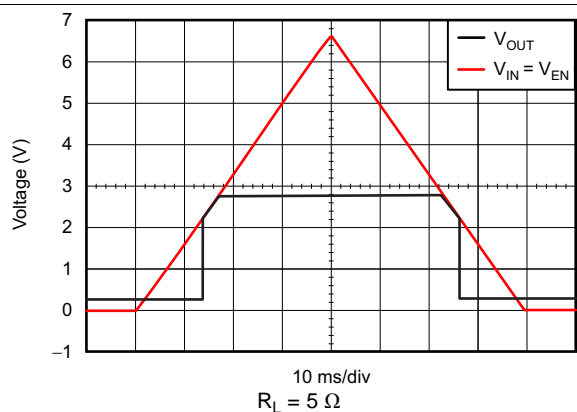


Figure 19. TPS735 Power-Up and Power-Down ( $V_{IN} = V_{EN}$ )

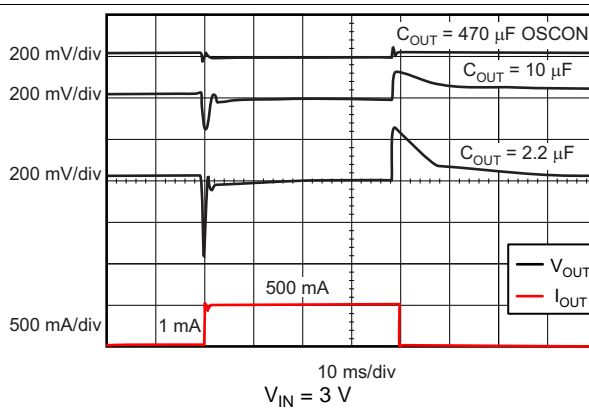


Figure 20. TPS735 Load Transient Response

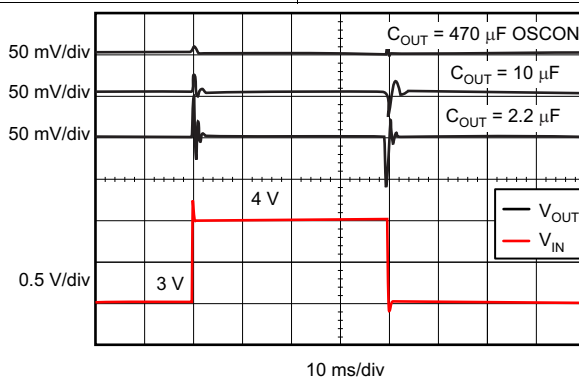


Figure 21. TPS735 Line Transient Response

## 9 Power Supply Recommendations

The device is designed to operate from an input voltage supply range between 2.7 V and 6.5 V. The input voltage range must provide adequate headroom for the device to have a regulated output. This input supply must be well-regulated. If the input supply is noisy, additional input capacitors with low ESR can help improve output noise.

## 10 Layout

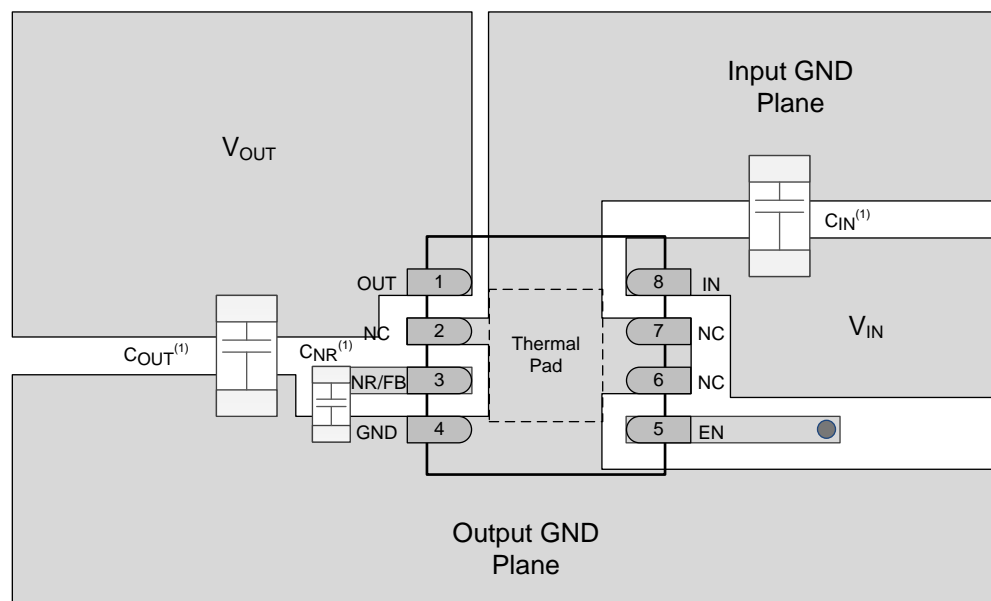
### 10.1 Layout Guidelines

For best overall performance, place all circuit components on the same side of the circuit board and as near to the respective LDO pin connections as possible. Place ground return connections to the input and output capacitor, and to the LDO ground pin as close to each other as possible, connected by a wide, component-side, copper surface. The use of vias and long traces to create LDO component connections is strongly discouraged and negatively affects system performance. This grounding and layout scheme minimizes inductive parasitics, and as a result, reduces load-current transients, minimizes noise, and increases circuit stability. TI recommends using a ground reference plane, and is embedded in the printed circuit board (PCB) itself or located on the bottom side of the PCB opposite the components. This reference plane ensures accuracy of the output voltage, shields the LDO from noise, and operates similar to a thermal plane to spread (or sink) heat from the LDO device when connected to the exposed thermal pad. In most applications, this ground plane is required to meet thermal requirements.

#### 10.1.1 Board Layout Recommendations to Improve PSRR and Noise Performance

To improve AC performance (such as PSRR, output noise, and transient response), TI recommends designing the board with separate ground planes for  $V_{IN}$  and  $V_{OUT}$ , with each ground plane connected only at the GND pin of the device. In addition, the ground connection for the bypass capacitor must connect directly to the GND pin of the device.

### 10.2 Layout Example



(1)  $C_{IN}$  and  $C_{OUT}$  are 0603 capacitors and  $C_{NR}$  is a 0402 capacitor. The footprint is shown to scale with package size.

**Figure 22. TPS735 Fixed Version Layout Reference Diagram**



### 10.3 Power Dissipation

The ability to remove heat from the die is different for each package type, which presents different considerations in the PCB layout. The PCB area around the device that is free of other components moves the heat from the device to the ambient air. Performance data for JEDEC low- and high-K boards are shown in the [Thermal Information](#) section. Heavier copper increases the effectiveness in removing heat from the device. The addition of plated through-holes to heat-dissipating layers improves the heat sink effectiveness.

Power dissipation depends on input voltage and load conditions. Power dissipation can be approximated by the product of the output current and the voltage drop across the output pass element, as [Equation 2](#) shows.

$$P_D = (V_{IN} - V_{OUT}) \times I_{OUT} \quad (2)$$

---

#### NOTE

When the device is used in a condition of high input and low output voltages,  $P_D$  can exceed the junction temperature rating even when the ambient temperature is at room temperature.

---

[Equation 3](#) is an example calculation for the power dissipation ( $P_D$ ) of the DRB package.

$$P_D = (6.5 \text{ V} - 1.2 \text{ V}) \times 500 \text{ mA} = 2.65 \text{ W} \quad (3)$$

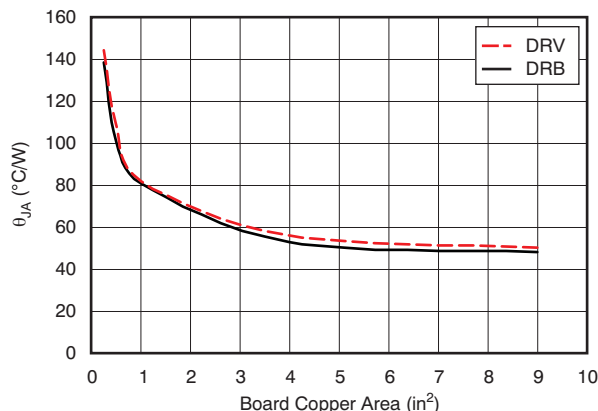
Power dissipation can be minimized and greater efficiency can be achieved by using the lowest possible input voltage necessary to achieve the required output performance.

On the DRB package, the primary conduction path for heat is through the exposed thermal pad to the PCB. The pad can be connected to ground or left floating. The pad must be attached to an appropriate amount of copper PCB area to ensure that the device does not overheat. The maximum allowable junction-to-ambient thermal resistance depends on the maximum ambient temperature, maximum device junction temperature, and power dissipation of the device. [Equation 4](#) calculates the maximum junction-to-ambient thermal resistance.

$$R_{\theta JA} = \frac{(125^\circ\text{C} - T_A)}{P_D} \quad (4)$$

### Power Dissipation (continued)

Figure 23 estimates the maximum  $R_{\theta_{JA}}$  and the minimum amount of PCB copper area required to heat sink.



Note:  $\theta_{JA}$  value at board size of 9 in<sup>2</sup> (that is, 3 in × 3 in) is a JEDEC standard.

**Figure 23.  $\theta_{JA}$  vs Board Size**

Figure 23 shows the variation of  $\theta_{JA}$  as a function of ground plane copper area in the board. It is intended only as a guideline to demonstrate the effects of heat spreading in the ground plane and must not be used to estimate actual thermal performance in real application environments.

**NOTE**

When the device is mounted on an application PCB, it is strongly recommended to use  $\Psi_{JT}$  and  $\Psi_{JB}$ , as explained in the *Estimating Junction Temperature* section.

### 10.4 Estimating Junction Temperature

Using the thermal metrics  $\Psi_{JT}$  and  $\Psi_{JB}$ , as the table shows, the junction temperature can be estimated with corresponding formulas (Equation 5), which are more accurate than the value of  $T_J$  through calculation with  $\theta_{JA}$ .

$$\Psi_{JT}: T_J = T_T + \Psi_{JT} \cdot P_D$$

$$\Psi_{JB}: T_J = T_B + \Psi_{JB} \cdot P_D$$

where:

- $P_D$  is the power dissipation calculated with Equation 2,
- $T_T$  is the temperature at the center-top of the device package, and
- $T_B$  is the PCB temperature measured 1 mm away from the device package on the PCB surface (as shown in Figure 25). (5)

**NOTE**

Both  $T_T$  and  $T_B$  can be measured on actual application boards using a thermo-gun (an infrared thermometer).

For more information about measuring  $T_T$  and  $T_B$ , see *Using New Thermal Metrics*, available for download at [www.ti.com](http://www.ti.com).

### Estimating Junction Temperature (continued)

According to Figure 24, the new thermal metrics ( $\Psi_{JT}$  and  $\Psi_{JB}$ ) do not depend on the copper area. Using  $\Psi_{JT}$  or  $\Psi_{JB}$  with Equation 5 can estimate  $T_J$  by measuring  $T_T$  or  $T_B$  on an application board.

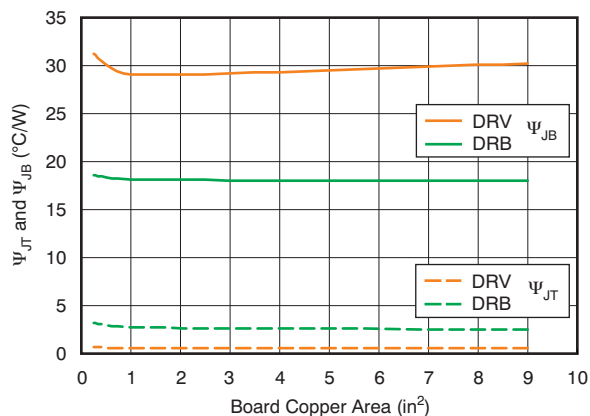
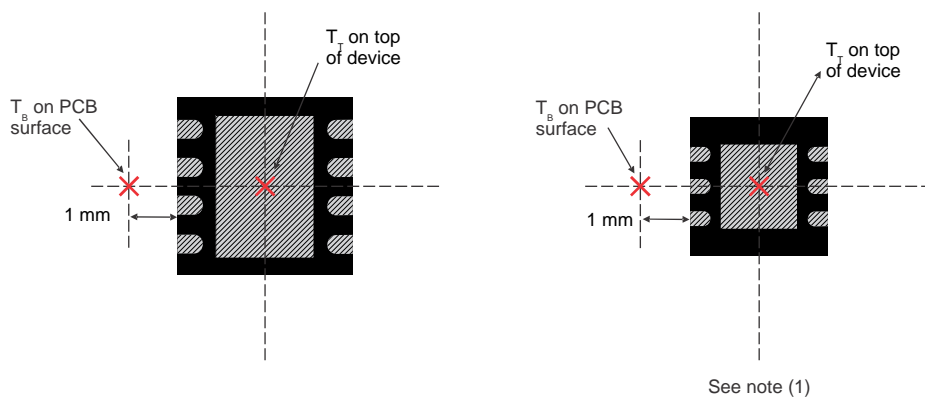


Figure 24.  $\Psi_{JT}$  and  $\Psi_{JB}$  vs Board Size



(a) Example DRB (SON) Package Measurement

(b) Example DRV (WSON) Package Measurement

(1) Power dissipation may limit operating range. See [Thermal Information](#).

Figure 25. Measuring Points for  $T_T$  and  $T_B$

## 10.5 Package Mounting

Solder pad footprint recommendations for the TPS735 device is available from the TI website at [www.ti.com](http://www.ti.com).

## 11 Device and Documentation Support

### 11.1 Device Support

#### 11.1.1 Development Support

##### 11.1.1.1 Evaluation Modules

Two evaluation modules (EVMs) are available to assist in the initial circuit performance evaluation using the TPS735. The [TPS73501EVM-276 evaluation module](#) and the [TPS73525EVM-276 Evaluation Module](#) (and related [user guide](#)) can be requested at the TI website through the product folders or purchased directly from the [TI eStore](#).

#### 11.1.2 Device Nomenclature

**Table 2. Device Nomenclature<sup>(1)</sup>**

PRODUCT	V <sub>OUT</sub>
TPS735xx(x)yyyz	<p><b>xx(x)</b> is the nominal output voltage. For output voltages with a resolution of 100 mV, two digits are used in the ordering number; otherwise, three digits are used (for example, 33 = 3.3 V; 125 = 1.25 V).</p> <p><b>yyy</b> is the package designator.</p> <p><b>z</b> is the tape and reel quantity (R = 3000, T = 250).</p> <p><b>01</b> is the adjustable version.</p>

(1) For the most current package and ordering information see the Package Option Addendum at the end of this document, or see the TI web site at [www.ti.com](http://www.ti.com).

### 11.2 Documentation Support

#### 11.2.1 Related Documentation

For related documentation, see the following:

- Texas Instruments, [TPS735EVM-276 User Guide](#)

### 11.3 Trademarks

All trademarks are the property of their respective owners.

### 11.4 Electrostatic Discharge Caution



This integrated circuit can be damaged by ESD. Texas Instruments recommends that all integrated circuits be handled with appropriate precautions. Failure to observe proper handling and installation procedures can cause damage.

ESD damage can range from subtle performance degradation to complete device failure. Precision integrated circuits may be more susceptible to damage because very small parametric changes could cause the device not to meet its published specifications.

### 11.5 Glossary

[SLYZ022](#) — *TI Glossary*.

This glossary lists and explains terms, acronyms, and definitions.

## 12 Mechanical, Packaging, and Orderable Information

The following pages include mechanical, packaging, and orderable information. This information is the most current data available for the designated devices. This data is subject to change without notice and revision of this document. For browser-based versions of this data sheet, refer to the left-hand navigation.

**PACKAGING INFORMATION**

Orderable part number	Status (1)	Material type (2)	Package   Pins	Package qty   Carrier	RoHS (3)	Lead finish/ Ball material (4)	MSL rating/ Peak reflow (5)	Op temp (°C)	Part marking (6)
<a href="#">TPS73501DRBR</a>	Active	Production	SON (DRB)   8	3000   LARGE T&R	Yes	NIPDAU	Level-2-260C-1 YEAR	-40 to 125	CBK
TPS73501DRBR.B	Active	Production	SON (DRB)   8	3000   LARGE T&R	Yes	NIPDAU	Level-2-260C-1 YEAR	-40 to 125	CBK
<a href="#">TPS73501DRBT</a>	Active	Production	SON (DRB)   8	250   SMALL T&R	Yes	NIPDAU	Level-2-260C-1 YEAR	-40 to 125	CBK
TPS73501DRBT.B	Active	Production	SON (DRB)   8	250   SMALL T&R	Yes	NIPDAU	Level-2-260C-1 YEAR	-40 to 125	CBK
TPS73501DRBTG4	Active	Production	SON (DRB)   8	250   SMALL T&R	Yes	NIPDAU	Level-2-260C-1 YEAR	-40 to 125	CBK
TPS73501DRBTG4.B	Active	Production	SON (DRB)   8	250   SMALL T&R	Yes	NIPDAU	Level-2-260C-1 YEAR	-40 to 125	CBK
<a href="#">TPS73501DRVR</a>	Active	Production	WSON (DRV)   6	3000   LARGE T&R	Yes	NIPDAU   NIPDAUAG	Level-1-260C-UNLIM	-40 to 125	SDR
TPS73501DRVR.B	Active	Production	WSON (DRV)   6	3000   LARGE T&R	Yes	NIPDAUAG	Level-1-260C-UNLIM	-40 to 125	SDR
<a href="#">TPS73501DRVT</a>	Active	Production	WSON (DRV)   6	250   SMALL T&R	Yes	NIPDAU   NIPDAUAG	Level-1-260C-UNLIM	-40 to 125	SDR
TPS73501DRVT.B	Active	Production	WSON (DRV)   6	250   SMALL T&R	Yes	NIPDAUAG	Level-1-260C-UNLIM	-40 to 125	SDR
TPS73501DRVTG4.B	Active	Production	WSON (DRV)   6	250   SMALL T&R	-	Call TI	Call TI	-40 to 125	
<a href="#">TPS73512DRBR</a>	Active	Production	SON (DRB)   8	3000   LARGE T&R	Yes	NIPDAU	Level-2-260C-1 YEAR	-40 to 125	QTT
TPS73512DRBR.B	Active	Production	SON (DRB)   8	3000   LARGE T&R	Yes	NIPDAU	Level-2-260C-1 YEAR	-40 to 125	QTT
TPS73512DRBRG4	Active	Production	SON (DRB)   8	3000   LARGE T&R	Yes	NIPDAU	Level-2-260C-1 YEAR	-40 to 125	QTT
TPS73512DRBRG4.B	Active	Production	SON (DRB)   8	3000   LARGE T&R	Yes	NIPDAU	Level-2-260C-1 YEAR	-40 to 125	QTT
<a href="#">TPS73512DRBT</a>	Active	Production	SON (DRB)   8	250   SMALL T&R	Yes	NIPDAU	Level-2-260C-1 YEAR	-40 to 125	QTT
TPS73512DRBT.B	Active	Production	SON (DRB)   8	250   SMALL T&R	Yes	NIPDAU	Level-2-260C-1 YEAR	-40 to 125	QTT
<a href="#">TPS73515DRBR</a>	Active	Production	SON (DRB)   8	3000   LARGE T&R	Yes	NIPDAU	Level-2-260C-1 YEAR	-40 to 125	QWH
TPS73515DRBR.B	Active	Production	SON (DRB)   8	3000   LARGE T&R	Yes	NIPDAU	Level-2-260C-1 YEAR	-40 to 125	QWH
<a href="#">TPS73515DRBT</a>	Active	Production	SON (DRB)   8	250   SMALL T&R	Yes	NIPDAU	Level-2-260C-1 YEAR	-40 to 125	QWH
TPS73515DRBT.B	Active	Production	SON (DRB)   8	250   SMALL T&R	Yes	NIPDAU	Level-2-260C-1 YEAR	-40 to 125	QWH
TPS73515DRBTG4	Active	Production	SON (DRB)   8	250   SMALL T&R	Yes	NIPDAU	Level-2-260C-1 YEAR	-40 to 125	QWH
TPS73515DRBTG4.B	Active	Production	SON (DRB)   8	250   SMALL T&R	Yes	NIPDAU	Level-2-260C-1 YEAR	-40 to 125	QWH
<a href="#">TPS73525DRBR</a>	Active	Production	SON (DRB)   8	3000   LARGE T&R	Yes	NIPDAU	Level-2-260C-1 YEAR	-40 to 125	CBM
TPS73525DRBR.B	Active	Production	SON (DRB)   8	3000   LARGE T&R	Yes	NIPDAU	Level-2-260C-1 YEAR	-40 to 125	CBM
TPS73525DRBRG4	Active	Production	SON (DRB)   8	3000   LARGE T&R	Yes	NIPDAU	Level-2-260C-1 YEAR	-40 to 125	CBM
TPS73525DRBRG4.B	Active	Production	SON (DRB)   8	3000   LARGE T&R	Yes	NIPDAU	Level-2-260C-1 YEAR	-40 to 125	CBM
<a href="#">TPS73525DRBT</a>	Active	Production	SON (DRB)   8	250   SMALL T&R	Yes	NIPDAU	Level-2-260C-1 YEAR	-40 to 125	CBM
TPS73525DRBT.B	Active	Production	SON (DRB)   8	250   SMALL T&R	Yes	NIPDAU	Level-2-260C-1 YEAR	-40 to 125	CBM

Orderable part number	Status (1)	Material type (2)	Package   Pins	Package qty   Carrier	RoHS (3)	Lead finish/ Ball material (4)	MSL rating/ Peak reflow (5)	Op temp (°C)	Part marking (6)
<a href="#">TPS73525DRVR</a>	Active	Production	WSON (DRV)   6	3000   LARGE T&R	Yes	NIPDAUAG	Level-1-260C-UNLIM	-40 to 125	NSW
TPS73525DRVR.B	Active	Production	WSON (DRV)   6	3000   LARGE T&R	Yes	NIPDAUAG	Level-1-260C-UNLIM	-40 to 125	NSW
<a href="#">TPS73525DRVT</a>	Active	Production	WSON (DRV)   6	250   SMALL T&R	Yes	NIPDAUAG	Level-1-260C-UNLIM	-40 to 125	NSW
TPS73525DRVT.B	Active	Production	WSON (DRV)   6	250   SMALL T&R	Yes	NIPDAUAG	Level-1-260C-UNLIM	-40 to 125	NSW
<a href="#">TPS73527DRVR</a>	Active	Production	WSON (DRV)   6	3000   LARGE T&R	Yes	NIPDAU	Level-1-260C-UNLIM	-40 to 125	RAK
TPS73527DRVR.B	Active	Production	WSON (DRV)   6	3000   LARGE T&R	Yes	NIPDAU	Level-1-260C-UNLIM	-40 to 125	RAK
<a href="#">TPS73527DRVT</a>	Active	Production	WSON (DRV)   6	250   SMALL T&R	Yes	NIPDAU	Level-1-260C-UNLIM	-40 to 125	RAK
TPS73527DRVT.B	Active	Production	WSON (DRV)   6	250   SMALL T&R	Yes	NIPDAU	Level-1-260C-UNLIM	-40 to 125	RAK
TPS73527DRVTG4.B	Active	Production	WSON (DRV)   6	250   SMALL T&R	-	Call TI	Call TI	-40 to 125	
<a href="#">TPS735285DRVR</a>	Active	Production	WSON (DRV)   6	3000   LARGE T&R	Yes	NIPDAUAG	Level-1-260C-UNLIM	-40 to 125	RAW
TPS735285DRVR.B	Active	Production	WSON (DRV)   6	3000   LARGE T&R	Yes	NIPDAUAG	Level-1-260C-UNLIM	-40 to 125	RAW
<a href="#">TPS735285DRVT</a>	Active	Production	WSON (DRV)   6	250   SMALL T&R	Yes	NIPDAUAG	Level-1-260C-UNLIM	-40 to 125	RAW
TPS735285DRVT.B	Active	Production	WSON (DRV)   6	250   SMALL T&R	Yes	NIPDAUAG	Level-1-260C-UNLIM	-40 to 125	RAW
<a href="#">TPS73533DRBR</a>	Active	Production	SON (DRB)   8	3000   LARGE T&R	Yes	NIPDAU	Level-2-260C-1 YEAR	-40 to 125	CVY
TPS73533DRBR.B	Active	Production	SON (DRB)   8	3000   LARGE T&R	Yes	NIPDAU	Level-2-260C-1 YEAR	-40 to 125	CVY
<a href="#">TPS73533DRBT</a>	Active	Production	SON (DRB)   8	250   SMALL T&R	Yes	NIPDAU	Level-2-260C-1 YEAR	-40 to 125	CVY
TPS73533DRBT.B	Active	Production	SON (DRB)   8	250   SMALL T&R	Yes	NIPDAU	Level-2-260C-1 YEAR	-40 to 125	CVY
TPS73533DRBTG4	Active	Production	SON (DRB)   8	250   SMALL T&R	Yes	NIPDAU	Level-2-260C-1 YEAR	-40 to 125	CVY
TPS73533DRBTG4.B	Active	Production	SON (DRB)   8	250   SMALL T&R	Yes	NIPDAU	Level-2-260C-1 YEAR	-40 to 125	CVY
<a href="#">TPS73533DRVR</a>	Active	Production	WSON (DRV)   6	3000   LARGE T&R	Yes	NIPDAU   NIPDAUAG	Level-1-260C-UNLIM	-40 to 125	CVY
TPS73533DRVR.B	Active	Production	WSON (DRV)   6	3000   LARGE T&R	Yes	NIPDAU	Level-1-260C-UNLIM	-40 to 125	CVY
<a href="#">TPS73533DRVT</a>	Active	Production	WSON (DRV)   6	250   SMALL T&R	Yes	NIPDAU   NIPDAUAG	Level-1-260C-UNLIM	-40 to 125	CVY
TPS73533DRVT.B	Active	Production	WSON (DRV)   6	250   SMALL T&R	Yes	NIPDAU	Level-1-260C-UNLIM	-40 to 125	CVY
<a href="#">TPS73534DRBR</a>	Active	Production	SON (DRB)   8	3000   LARGE T&R	Yes	NIPDAU	Level-2-260C-1 YEAR	-40 to 125	QTU
TPS73534DRBR.B	Active	Production	SON (DRB)   8	3000   LARGE T&R	Yes	NIPDAU	Level-2-260C-1 YEAR	-40 to 125	QTU
<a href="#">TPS73534DRBT</a>	Active	Production	SON (DRB)   8	250   SMALL T&R	Yes	NIPDAU	Level-2-260C-1 YEAR	-40 to 125	QTU
TPS73534DRBT.B	Active	Production	SON (DRB)   8	250   SMALL T&R	Yes	NIPDAU	Level-2-260C-1 YEAR	-40 to 125	QTU

<sup>(1)</sup> **Status:** For more details on status, see our [product life cycle](#).

(2) **Material type:** When designated, preproduction parts are prototypes/experimental devices, and are not yet approved or released for full production. Testing and final process, including without limitation quality assurance, reliability performance testing, and/or process qualification, may not yet be complete, and this item is subject to further changes or possible discontinuation. If available for ordering, purchases will be subject to an additional waiver at checkout, and are intended for early internal evaluation purposes only. These items are sold without warranties of any kind.

(3) **RoHS values:** Yes, No, RoHS Exempt. See the [TI RoHS Statement](#) for additional information and value definition.

(4) **Lead finish/Ball material:** Parts may have multiple material finish options. Finish options are separated by a vertical ruled line. Lead finish/Ball material values may wrap to two lines if the finish value exceeds the maximum column width.

(5) **MSL rating/Peak reflow:** The moisture sensitivity level ratings and peak solder (reflow) temperatures. In the event that a part has multiple moisture sensitivity ratings, only the lowest level per JEDEC standards is shown. Refer to the shipping label for the actual reflow temperature that will be used to mount the part to the printed circuit board.

(6) **Part marking:** There may be an additional marking, which relates to the logo, the lot trace code information, or the environmental category of the part.

Multiple part markings will be inside parentheses. Only one part marking contained in parentheses and separated by a "~" will appear on a part. If a line is indented then it is a continuation of the previous line and the two combined represent the entire part marking for that device.

**Important Information and Disclaimer:** The information provided on this page represents TI's knowledge and belief as of the date that it is provided. TI bases its knowledge and belief on information provided by third parties, and makes no representation or warranty as to the accuracy of such information. Efforts are underway to better integrate information from third parties. TI has taken and continues to take reasonable steps to provide representative and accurate information but may not have conducted destructive testing or chemical analysis on incoming materials and chemicals. TI and TI suppliers consider certain information to be proprietary, and thus CAS numbers and other limited information may not be available for release.

In no event shall TI's liability arising out of such information exceed the total purchase price of the TI part(s) at issue in this document sold by TI to Customer on an annual basis.

#### OTHER QUALIFIED VERSIONS OF TPS735 :

- Automotive : [TPS735-Q1](#)

NOTE: Qualified Version Definitions:

- Automotive - Q100 devices qualified for high-reliability automotive applications targeting zero defects

**TAPE AND REEL INFORMATION**

**QUADRANT ASSIGNMENTS FOR PIN 1 ORIENTATION IN TAPE**


\*All dimensions are nominal

Device	Package Type	Package Drawing	Pins	SPQ	Reel Diameter (mm)	Reel Width W1 (mm)	A0 (mm)	B0 (mm)	K0 (mm)	P1 (mm)	W (mm)	Pin1 Quadrant
TPS73501DRBR	SON	DRB	8	3000	330.0	12.4	3.3	3.3	1.1	8.0	12.0	Q2
TPS73501DRBT	SON	DRB	8	250	180.0	12.5	3.3	3.3	1.1	8.0	12.0	Q2
TPS73501DRBTG4	SON	DRB	8	250	180.0	12.5	3.3	3.3	1.1	8.0	12.0	Q2
TPS73501DRVR	WSON	DRV	6	3000	178.0	8.4	2.25	2.25	1.0	4.0	8.0	Q2
TPS73501DRVT	WSON	DRV	6	250	178.0	8.4	2.25	2.25	1.0	4.0	8.0	Q2
TPS73501DRVT	WSON	DRV	6	250	179.0	8.4	2.2	2.2	1.2	4.0	8.0	Q2
TPS73512DRBR	SON	DRB	8	3000	330.0	12.4	3.3	3.3	1.1	8.0	12.0	Q2
TPS73512DRBRG4	SON	DRB	8	3000	330.0	12.4	3.3	3.3	1.1	8.0	12.0	Q2
TPS73512DRBT	SON	DRB	8	250	180.0	12.4	3.3	3.3	1.1	8.0	12.0	Q2
TPS73515DRBR	SON	DRB	8	3000	330.0	12.4	3.3	3.3	1.1	8.0	12.0	Q2
TPS73515DRBT	SON	DRB	8	250	180.0	12.5	3.3	3.3	1.1	8.0	12.0	Q2
TPS73515DRBTG4	SON	DRB	8	250	180.0	12.5	3.3	3.3	1.1	8.0	12.0	Q2
TPS73525DRBR	SON	DRB	8	3000	330.0	12.4	3.3	3.3	1.1	8.0	12.0	Q2
TPS73525DRBRG4	SON	DRB	8	3000	330.0	12.4	3.3	3.3	1.1	8.0	12.0	Q2
TPS73525DRBT	SON	DRB	8	250	180.0	12.5	3.3	3.3	1.1	8.0	12.0	Q2
TPS73525DRVR	WSON	DRV	6	3000	179.0	8.4	2.2	2.2	1.2	4.0	8.0	Q2



Device	Package Type	Package Drawing	Pins	SPQ	Reel Diameter (mm)	Reel Width W1 (mm)	A0 (mm)	B0 (mm)	K0 (mm)	P1 (mm)	W (mm)	Pin1 Quadrant
TPS73525DRVT	WSON	DRV	6	250	179.0	8.4	2.2	2.2	1.2	4.0	8.0	Q2
TPS73527DRVR	WSON	DRV	6	3000	178.0	8.4	2.25	2.25	1.0	4.0	8.0	Q2
TPS73527DRVT	WSON	DRV	6	250	179.0	8.4	2.2	2.2	1.2	4.0	8.0	Q2
TPS735285DRVR	WSON	DRV	6	3000	179.0	8.4	2.2	2.2	1.2	4.0	8.0	Q2
TPS735285DRVT	WSON	DRV	6	250	179.0	8.4	2.2	2.2	1.2	4.0	8.0	Q2
TPS73533DRBR	SON	DRB	8	3000	330.0	12.4	3.3	3.3	1.1	8.0	12.0	Q2
TPS73533DRBT	SON	DRB	8	250	180.0	12.5	3.3	3.3	1.1	8.0	12.0	Q2
TPS73533DRBTG4	SON	DRB	8	250	180.0	12.5	3.3	3.3	1.1	8.0	12.0	Q2
TPS73533DRVR	WSON	DRV	6	3000	178.0	8.4	2.25	2.25	1.0	4.0	8.0	Q2
TPS73533DRVT	WSON	DRV	6	250	179.0	8.4	2.2	2.2	1.2	4.0	8.0	Q2
TPS73533DRVT	WSON	DRV	6	250	178.0	8.4	2.25	2.25	1.0	4.0	8.0	Q2
TPS73534DRBR	SON	DRB	8	3000	330.0	12.4	3.3	3.3	1.1	8.0	12.0	Q2
TPS73534DRBT	SON	DRB	8	250	180.0	12.4	3.3	3.3	1.1	8.0	12.0	Q2

**TAPE AND REEL BOX DIMENSIONS**


\*All dimensions are nominal

Device	Package Type	Package Drawing	Pins	SPQ	Length (mm)	Width (mm)	Height (mm)
TPS73501DRBR	SON	DRB	8	3000	353.0	353.0	32.0
TPS73501DRBT	SON	DRB	8	250	338.0	355.0	50.0
TPS73501DRBTG4	SON	DRB	8	250	338.0	355.0	50.0
TPS73501DRVR	WSON	DRV	6	3000	205.0	200.0	33.0
TPS73501DRVT	WSON	DRV	6	250	205.0	200.0	33.0
TPS73501DRVT	WSON	DRV	6	250	200.0	183.0	25.0
TPS73512DRBR	SON	DRB	8	3000	353.0	353.0	32.0
TPS73512DRBRG4	SON	DRB	8	3000	353.0	353.0	32.0
TPS73512DRBT	SON	DRB	8	250	213.0	191.0	35.0
TPS73515DRBR	SON	DRB	8	3000	338.0	355.0	50.0
TPS73515DRBT	SON	DRB	8	250	338.0	355.0	50.0
TPS73515DRBTG4	SON	DRB	8	250	338.0	355.0	50.0
TPS73525DRBR	SON	DRB	8	3000	353.0	353.0	32.0
TPS73525DRBRG4	SON	DRB	8	3000	353.0	353.0	32.0
TPS73525DRBT	SON	DRB	8	250	338.0	355.0	50.0
TPS73525DRVR	WSON	DRV	6	3000	200.0	183.0	25.0
TPS73525DRVT	WSON	DRV	6	250	200.0	183.0	25.0
TPS73527DRVR	WSON	DRV	6	3000	205.0	200.0	33.0

Device	Package Type	Package Drawing	Pins	SPQ	Length (mm)	Width (mm)	Height (mm)
TPS73527DRVT	WSON	DRV	6	250	203.0	203.0	35.0
TPS735285DRVR	WSON	DRV	6	3000	200.0	183.0	25.0
TPS735285DRVT	WSON	DRV	6	250	203.0	203.0	35.0
TPS73533DRBR	SON	DRB	8	3000	353.0	353.0	32.0
TPS73533DRBT	SON	DRB	8	250	338.0	355.0	50.0
TPS73533DRBTG4	SON	DRB	8	250	338.0	355.0	50.0
TPS73533DRVR	WSON	DRV	6	3000	205.0	200.0	33.0
TPS73533DRVT	WSON	DRV	6	250	203.0	203.0	35.0
TPS73533DRVT	WSON	DRV	6	250	205.0	200.0	33.0
TPS73534DRBR	SON	DRB	8	3000	353.0	353.0	32.0
TPS73534DRBT	SON	DRB	8	250	213.0	191.0	35.0

**DRB 8**

**GENERIC PACKAGE VIEW**

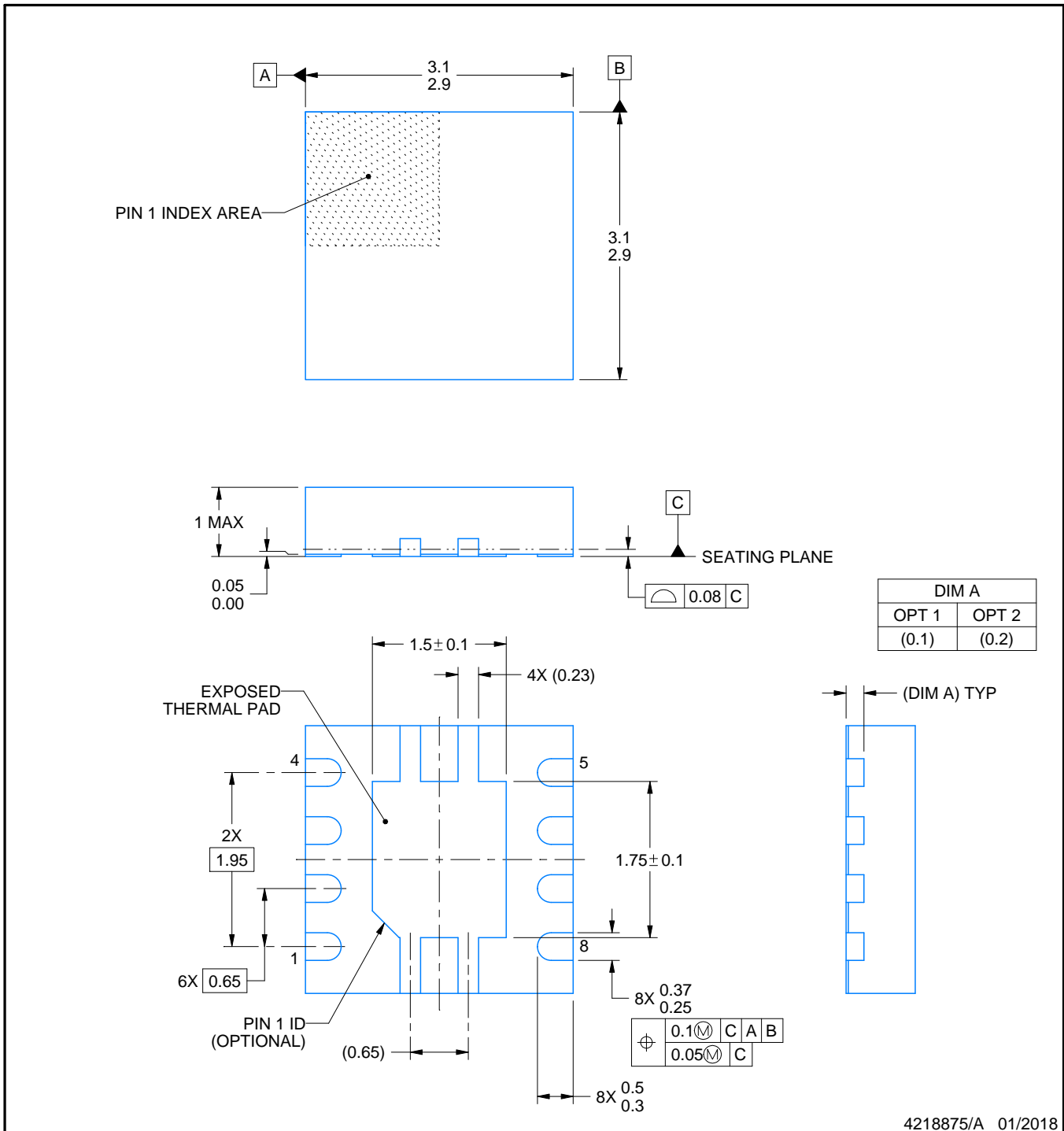
**VSON - 1 mm max height**

PLASTIC SMALL OUTLINE - NO LEAD



Images above are just a representation of the package family, actual package may vary.  
Refer to the product data sheet for package details.

4203482/L



4218875/A 01/2018

NOTES:

1. All linear dimensions are in millimeters. Any dimensions in parenthesis are for reference only. Dimensioning and tolerancing per ASME Y14.5M.
2. This drawing is subject to change without notice.
3. The package thermal pad must be soldered to the printed circuit board for thermal and mechanical performance.

# EXAMPLE BOARD LAYOUT

DRB0008A

VSON - 1 mm max height

PLASTIC SMALL OUTLINE - NO LEAD



LAND PATTERN EXAMPLE  
EXPOSED METAL SHOWN  
SCALE:20X



SOLDER MASK DETAILS

4218875/A 01/2018

NOTES: (continued)

4. This package is designed to be soldered to a thermal pad on the board. For more information, see Texas Instruments literature number SLUA271 ([www.ti.com/lit/slua271](http://www.ti.com/lit/slua271)).
5. Vias are optional depending on application, refer to device data sheet. If any vias are implemented, refer to their locations shown on this view. It is recommended that vias under paste be filled, plugged or tented.

# EXAMPLE STENCIL DESIGN

DRB0008A

VSON - 1 mm max height

PLASTIC SMALL OUTLINE - NO LEAD



SOLDER PASTE EXAMPLE  
BASED ON 0.125 mm THICK STENCIL

EXPOSED PAD  
84% PRINTED SOLDER COVERAGE BY AREA  
SCALE:25X

4218875/A 01/2018

NOTES: (continued)

6. Laser cutting apertures with trapezoidal walls and rounded corners may offer better paste release. IPC-7525 may have alternate design recommendations.

## GENERIC PACKAGE VIEW

DRV 6

WSON - 0.8 mm max height

PLASTIC SMALL OUTLINE - NO LEAD



Images above are just a representation of the package family, actual package may vary.  
Refer to the product data sheet for package details.

4206925/F





4222173/B 04/2018

NOTES:

1. All linear dimensions are in millimeters. Any dimensions in parenthesis are for reference only. Dimensioning and tolerancing per ASME Y14.5M.
2. This drawing is subject to change without notice.
3. The package thermal pad must be soldered to the printed circuit board for thermal and mechanical performance.

# EXAMPLE BOARD LAYOUT

DRV0006A

WSON - 0.8 mm max height

PLASTIC SMALL OUTLINE - NO LEAD



LAND PATTERN EXAMPLE  
SCALE:25X



SOLDER MASK DETAILS

4222173/B 04/2018

NOTES: (continued)

4. This package is designed to be soldered to a thermal pad on the board. For more information, see Texas Instruments literature number SLUA271 ([www.ti.com/lit/sluea271](http://www.ti.com/lit/sluea271)).
5. Vias are optional depending on application, refer to device data sheet. If some or all are implemented, recommended via locations are shown.

# EXAMPLE STENCIL DESIGN

DRV0006A

WSON - 0.8 mm max height

PLASTIC SMALL OUTLINE - NO LEAD



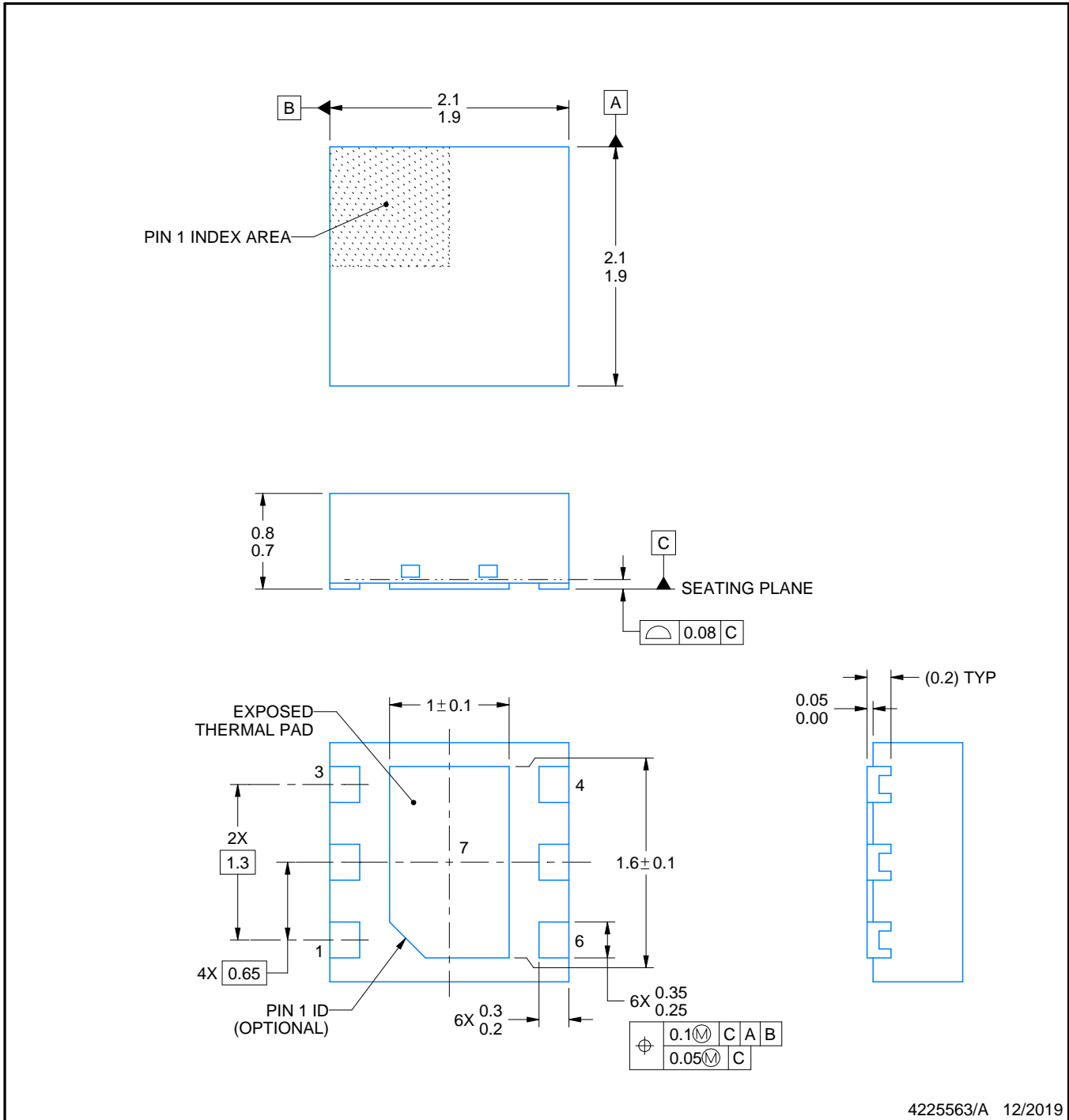
SOLDER PASTE EXAMPLE  
BASED ON 0.125 mm THICK STENCIL

EXPOSED PAD #7  
88% PRINTED SOLDER COVERAGE BY AREA UNDER PACKAGE  
SCALE:30X

4222173/B 04/2018

NOTES: (continued)

6. Laser cutting apertures with trapezoidal walls and rounded corners may offer better paste release. IPC-7525 may have alternate design recommendations.



4225563/A 12/2019

NOTES:

1. All linear dimensions are in millimeters. Any dimensions in parenthesis are for reference only. Dimensioning and tolerancing per ASME Y14.5M.
2. This drawing is subject to change without notice.
3. The package thermal pad must be soldered to the printed circuit board for thermal and mechanical performance.

# EXAMPLE BOARD LAYOUT

DRV0006D

WSON - 0.8 mm max height

PLASTIC SMALL OUTLINE - NO LEAD



LAND PATTERN EXAMPLE  
EXPOSED METAL SHOWN  
SCALE:25X



SOLDER MASK DETAILS

4225563/A 12/2019

NOTES: (continued)

- This package is designed to be soldered to a thermal pad on the board. For more information, see Texas Instruments literature number SLUA271 ([www.ti.com/lit/sluea271](http://www.ti.com/lit/sluea271)).
- Vias are optional depending on application, refer to device data sheet. If some or all are implemented, recommended via locations are shown.

# EXAMPLE STENCIL DESIGN

DRV0006D

WSON - 0.8 mm max height

PLASTIC SMALL OUTLINE - NO LEAD



SOLDER PASTE EXAMPLE  
BASED ON 0.125 mm THICK STENCIL

EXPOSED PAD #7  
88% PRINTED SOLDER COVERAGE BY AREA UNDER PACKAGE  
SCALE:30X

4225563/A 12/2019

NOTES: (continued)

6. Laser cutting apertures with trapezoidal walls and rounded corners may offer better paste release. IPC-7525 may have alternate design recommendations.

## IMPORTANT NOTICE AND DISCLAIMER

TI PROVIDES TECHNICAL AND RELIABILITY DATA (INCLUDING DATASHEETS), DESIGN RESOURCES (INCLUDING REFERENCE DESIGNS), APPLICATION OR OTHER DESIGN ADVICE, WEB TOOLS, SAFETY INFORMATION, AND OTHER RESOURCES "AS IS" AND WITH ALL FAULTS, AND DISCLAIMS ALL WARRANTIES, EXPRESS AND IMPLIED, INCLUDING WITHOUT LIMITATION ANY IMPLIED WARRANTIES OF MERCHANTABILITY, FITNESS FOR A PARTICULAR PURPOSE OR NON-INFRINGEMENT OF THIRD PARTY INTELLECTUAL PROPERTY RIGHTS.

These resources are intended for skilled developers designing with TI products. You are solely responsible for (1) selecting the appropriate TI products for your application, (2) designing, validating and testing your application, and (3) ensuring your application meets applicable standards, and any other safety, security, regulatory or other requirements.

These resources are subject to change without notice. TI grants you permission to use these resources only for development of an application that uses the TI products described in the resource. Other reproduction and display of these resources is prohibited. No license is granted to any other TI intellectual property right or to any third party intellectual property right. TI disclaims responsibility for, and you fully indemnify TI and its representatives against any claims, damages, costs, losses, and liabilities arising out of your use of these resources.

TI's products are provided subject to [TI's Terms of Sale](#), [TI's General Quality Guidelines](#), or other applicable terms available either on [ti.com](http://ti.com) or provided in conjunction with such TI products. TI's provision of these resources does not expand or otherwise alter TI's applicable warranties or warranty disclaimers for TI products. Unless TI explicitly designates a product as custom or customer-specified, TI products are standard, catalog, general purpose devices.

TI objects to and rejects any additional or different terms you may propose.

Copyright © 2025, Texas Instruments Incorporated

Last updated 10/2025