

W1G200-CI77-52

## EC axial fan

sickled blades (S series)

with full round nozzle



**ebm-papst Mulfingen GmbH & Co. KG**

Bachmühle 2

74673 Mulfingen

Phone: +49 7938 81-0

Fax: +49 7938 81-110

[www.ebmpapst.com](http://www.ebmpapst.com)

[info1@de.ebmpapst.com](mailto:info1@de.ebmpapst.com)

### Nominal data

|                          |                      |          |
|--------------------------|----------------------|----------|
| Type                     | W1G200-CI77-52       |          |
| Motor                    | M1G074-BF            |          |
| Nominal voltage          | [VDC]                | 24       |
| Nominal voltage range    | [VDC]                | 16 .. 28 |
| Type of data definition  |                      | rfa      |
| Speed                    | [min <sup>-1</sup> ] | 2950     |
| Power input              | [W]                  | 55       |
| Current draw             | [A]                  | 2.6      |
| Max. back pressure       | [Pa]                 | 120      |
| Min. ambient temperature | [°C]                 | -25      |
| Max. ambient temperature | [°C]                 | +60      |

ml = max. load · me = max. efficiency · rfa = running at free air · cs = customer specs · cu = customer unit  
Subject to alterations

# EC axial fan

sickled blades (S series)  
with full round nozzle

## Technical features

|   |  |
|---|--|
| Size  | 200 mm   |
| Operation mode  | S1   |
| Direction of rotation                                   | Counter-clockwise, seen on rotor   |
| Mounting position                                       | Any  |
| EMC interference emission                               | Acc. to EN 55022 (Class B)   |
| EMC interference immunity                               | Acc. to EN 61000-6-2 (industrial environment)  |
| Direction of air flow                                   | "A"  |
| Insulation class  | "B"  |
| Cable exit  | Lateral  |
| Condensate discharge holes                              | None   |
| Bearing motor   | Ball bearing   |
| Mass  | 2.35 kg  |
| Material of electronics housing                         | Die-cast aluminium, coated in black  |
| Material of blades                                      | Sheet steel, coated in black   |
| Material of guard grille                                | Steel, phosphated and coated in black plastic  |
| Material of wall ring                                   | Sheet steel, pre-galvanised and coated in black plastic  |
| Motor protection  | Reverse polarity and locked-rotor protection   |
| Product conforming to standard                          | EN 60950-1   |
| Surface of rotor  | Coated in black  |
| Number of blades  | 9  |
| Type of protection                                      | IP 42  |
| Technical features                                      | <ul style="list-style-type: none"> <li>- Control input 0-10 VDC / PWM</li> <li>- Tach output</li> <li>- Motor current limit</li> <li>- Soft start</li> </ul> |
| Max. permissible ambient motor temp. (transp./ storage) | +80 °C   |
| Min. permissible ambient motor temp. (transp./storage)  | -40 °C   |
| Approval  | CSA C22.2 Nr.77; UL 1004-1   |

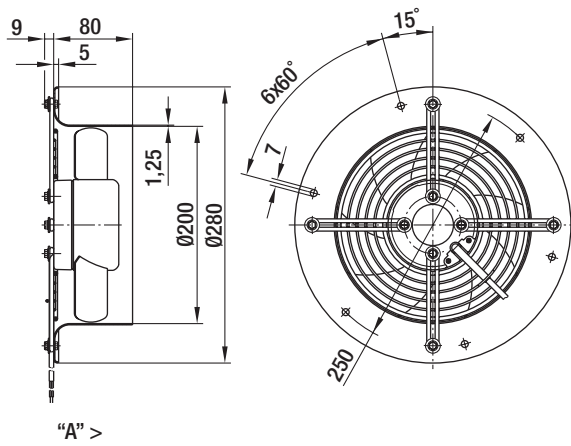
W1G200-CI77-52

# EC axial fan

sickled blades (S series)

with full round nozzle

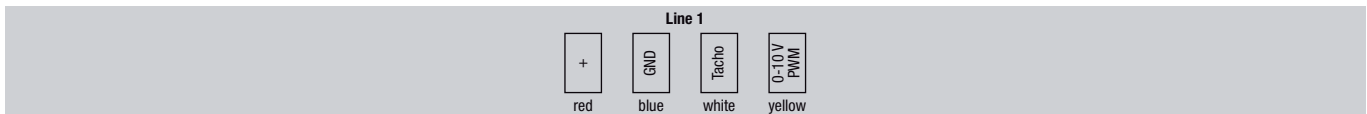
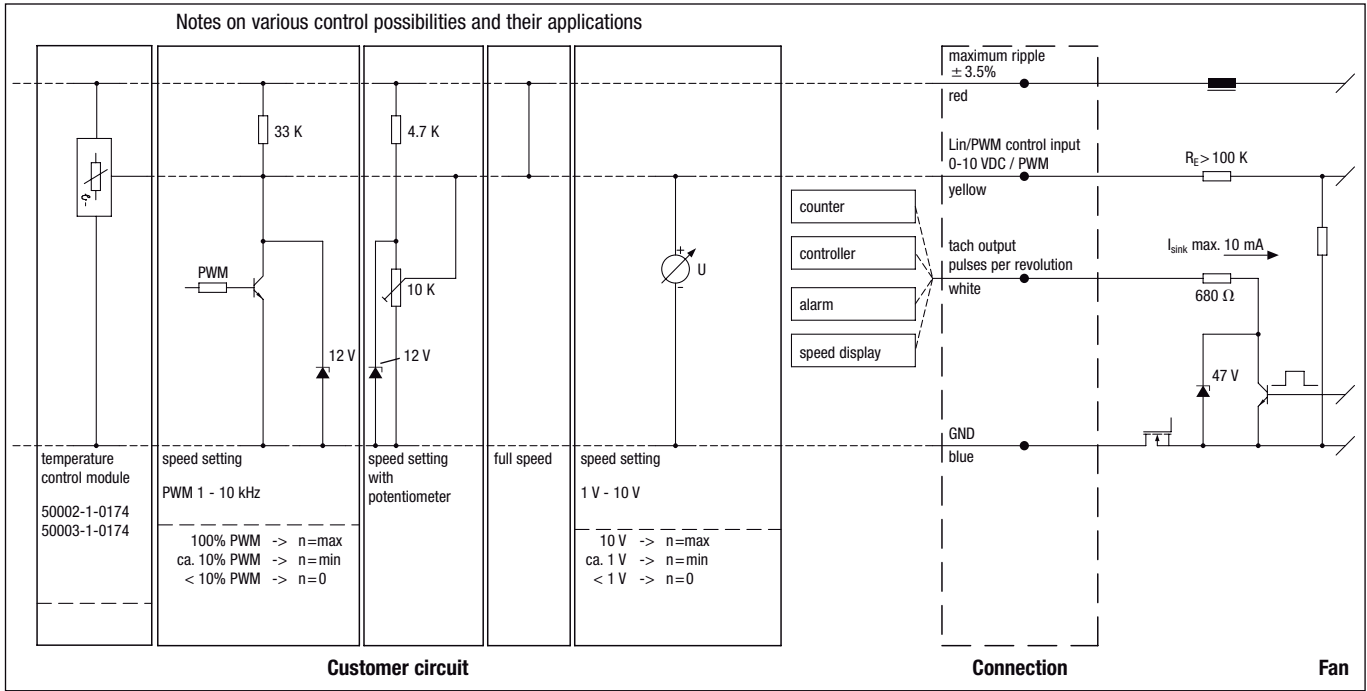
## Product drawing



# EC axial fan

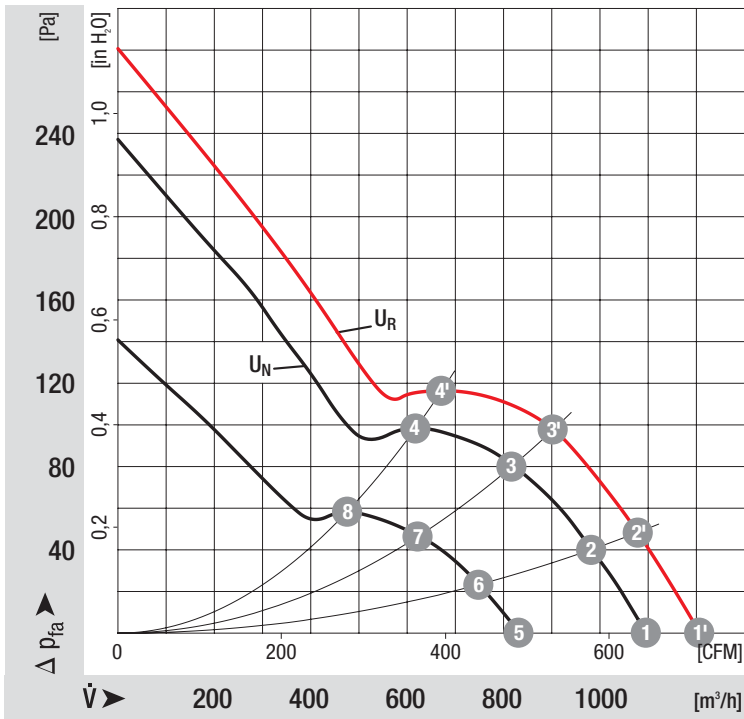
sickled blades (S series)  
with full round nozzle

## Connection screen



| Line | Signal | Colour | Assignment / function      | Line | Signal       | Colour | Assignment / function              |
|------|--------|--------|----------------------------|------|--------------|--------|------------------------------------|
| 1    | +      | red    | maximum ripple $\pm 3.5\%$ | 1    | Tacho        | white  | Tach output: pulses per revolution |
|      | GND    | blue   | GND                        |      | 0-10 V / PWM | yellow | Control input                      |

## Charts: Air flow



## Measured values

|    | n                    | P <sub>1</sub> | $\eta_{TL}$ |
|----|----------------------|----------------|-------------|
|    | [min <sup>-1</sup> ] | [W]            | [%]         |
| 1' | 2300                 | 73             |             |
| 2' | 2970                 | 77             | 67          |
| 3' | 3100                 | 80             | 64          |
| 4' | 2970                 | 80             | 54          |
| 1  | 2950                 | 55             |             |
| 2  | 2890                 | 58             | 67          |
| 3  | 2800                 | 61             | 64          |
| 4  | 2780                 | 63             | 54          |
| 5  | 2270                 | 27             |             |
| 6  | 2230                 | 28             | 67          |
| 7  | 2170                 | 29             | 64          |
| 8  | 2130                 | 30             | 54          |