



TYT SERIES

HIGH PERFORMANCE 3-PHASE, 4-WIRE FILTERS

COMPONENTS

PART NO.	Cx(μF)	Cx1(μF)	Cy(nF)	L(mH)	R(KΩ)	R1(KΩ)
16TYT8	0.68	1.0	15.0	1.2	220	-
25TYT8				1.3		
36TYT8	2.0	2.0		0.95		
50TYT8				0.55		
100TYT8	2.0	2.0		47.0		
150TYS10	6.6	6.6	470	0.11	330	680

INTRODUCTIONS

1. Applications: Electric equipment, UPS, machine tool, copy machine, automation equipment, robot, AC motor drive
2. Voltage rating: 480VAC
3. Operating frequency: 50/60Hz

MINIMUM INSERTION LOSS IN dB

COMMON MODE (L-G) IN 50 OHM SYSTEM							
PART NO.	FREQUENCY-MHz						
	.15	.50	1.0	5.0	10	30	
16TYT8	25	50	50	50	45	30	
25TYT8	25	50	50	50	45	30	
36TYT8	25	50	50	50	40	25	
50TYT8	25	45	45	40	40	25	
100TYT8	10	20	25	30	30	20	
150TYS10	10	20	25	30	30	20	
DIFFERENTIAL MODE (L-L) IN 50 OHM SYSTEM							
16TYT8	35	55	60	60	40	30	
25TYT8	35	55	60	60	40	30	
36TYT8	30	50	55	50	40	30	
50TYT8	30	50	50	40	40	30	
100TYT8	30	40	40	35	35	25	
150TYS10	30	40	40	35	35	35	

ELECTRICAL SCHEMATIC



R1 : 680KΩ , FOR 150TYS10 ONLY

SERIES DIMENSIONS

PART NO.	DIMENSIONS IN INCHES/mm						
	A	B	C	D	E	F	G
16TYT8							
25TYT8	5.591 142.0	4.213 107.0	3.228 82.0	7.539 191.5	6.516 165.5	196.9 50.0	7.559 192.0
36TYT8							
50TYT8	5.689 144.5	4.882 124.0	4.094 104.0	7.638 194.0	6.614 168.0	3.858 98.0	7.638 194.0
100TYT8	8.346	6.378	5.197	9.921	9.134	4.724	11.496
*150TYS10	212.0	62.0	132.0	252.0	232.0	120.0	292.0

*Screw type



MECHANICAL CONSTRUCTION



UNIT: INCH
mm



TYTSERIES

HIGH PERFORMANCE 3-PHASE 4-WIRE FILTERS



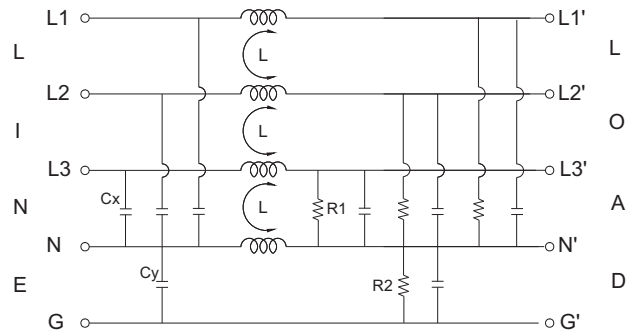
INTRODUCTIONS

1. Applications: Electric equipment, UPS, machine tool, copy machine, automation equipment, robot, AC motor drive
2. Voltage rating: 520VAC
3. Operating frequency: 50/60Hz

COMPONENTS

PARTNO.	L(mH)	Cx(uF)	Cy(uF)	R1 (Ω)	R2 (KΩ)
08TYT8-1	2.4	2.2	0.1	1.5M	680
16TYT8-1	1.7				
25TYT8-1	1.6	4.7	0.147	330K	680
36TYT8-1	1.0				
64TYT8-1	0.7	9.4	0.147	330K	680
80TYT8-1	0.55				
120TYT8-1	0.55	13.6	0.147	330K	680
160TYT8-1	0.5				

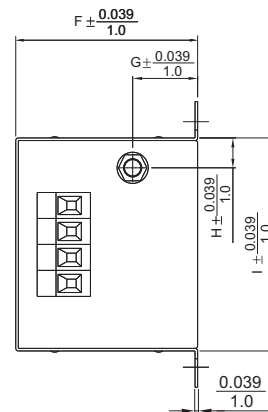
ELECTRICAL SCHEMATIC



SERIES DIMENSIONS

PART NO.	DIMENSIONS IN INCHES/mm									
	A	B	C	D	E	F	G	H	I	J
08TYT8-1	4.33	0.45	3.15	3.72	4.33	2.76	0.98 25.0	0.47	3.23	M6
16TYT8-1	110.0	11.5	80.0	94.5	110.0	70.0		12.0	82.0	
25TYT8-1	5.12	0.96	3.54	4.02	4.65	3.35	0.98 25.0	0.55	3.54	M10
36TYT8-1	130.0	24.5	90.0	102.0	118.0	85.0		14.0	90.0	
64TYT8-1	5.51	1.52	3.94	5.02	5.63	4.53	1.57 40.0	0.71	4.53	M10
80TYT8-1	140.0	38.5	100.0	127.5	143.0	115.0		18.0	115.0	
120TYT8-1	6.69	1.69	4.72	5.81	6.42	4.92	1.73 44.0	0.69	5.51	M10
160TYT8-1	170.0	43.0	120.0	147.5	163.0	125.0		17.5	140.0	
160TYT8-1	8.27	1.95	6.3	6.04	6.69	5.12	2.17 55.0	0.65	6.3	M10
160TYT8-1	210.0	49.5	160.0	153.5	170.0	130.0		16.5	160.0	

MECHANICAL CONSTRUCTION





TYT SERIES

HIGH PERFORMANCE 2-STAGE 3-PHASE 4-WIRE FILTERS



INTRODUCTIONS

1. Applications: Electric equipment, UPS, machine tool, copy machine, automation equipment, robot, AC motor drive
2. Voltage rating: 520VAC
3. Operating frequency: 50/60Hz

COMPONENTS

PARTNO.	L1(mH)	L2(uH)	Cx(uF)	Cy(uF)	R1(M Ω)	R2(KΩ)
08TYT8-2	2.4	7.0	3.3	3.4	1.5	660.0
16TYT8-2	1.7					
25TYT8-2	1.6	6.0	4.7			
36TYT8-2	1.0					
64TYT8-2	0.7	7.0	9.4			
80TYT8-2	0.55					
120TYT8-2	0.55	6.0	13.6			
160TYT8-2	0.5					

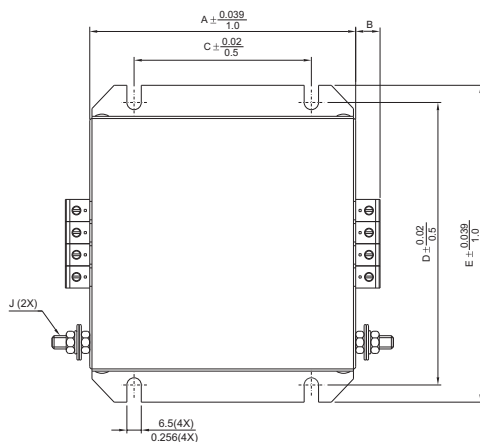
ELECTRICAL SCHEMATIC



SERIES DIMENSIONS

PART NO.	DIMENSIONS IN INCHES/mm											
	A	B	C	D	E	F	G	H	I	J		
08TYT8-2	4.72	0.45	3.15	5.02	5.63	1.3	3.15	0.51 13.0	4.53	M6		
16TYT8-2	120.0	11.5	80.0	127.5	143.0	33.0	80.0		115.0			
25TYT8-2	5.12	0.98	3.54	5.41 137.5	6.02 153.0	1.97	4.53	4.92 125.0				
36TYT8-2	130.0	25.0	90.0			50.0	115.0					
64TYT8-2	6.3	1.54	3.94	5.81 147.5	6.42 163.0	2.17	4.92 125.0	0.77	5.31 135.0		M10	
80TYT8-2	9.06	1.73	4.72			1.77		19.5				
120TYT8-2	9.84	44.0	7.87			2.17	5.51	0.75 19.0				5.51 140.0
160TYT8-2	11.02	2.0	9.06			1.97	6.69					
	280.0	50.7	230.0	153.5	170.0	50.0	170.0					

MECHANICAL CONSTRUCTION



UNIT: INCH
mm