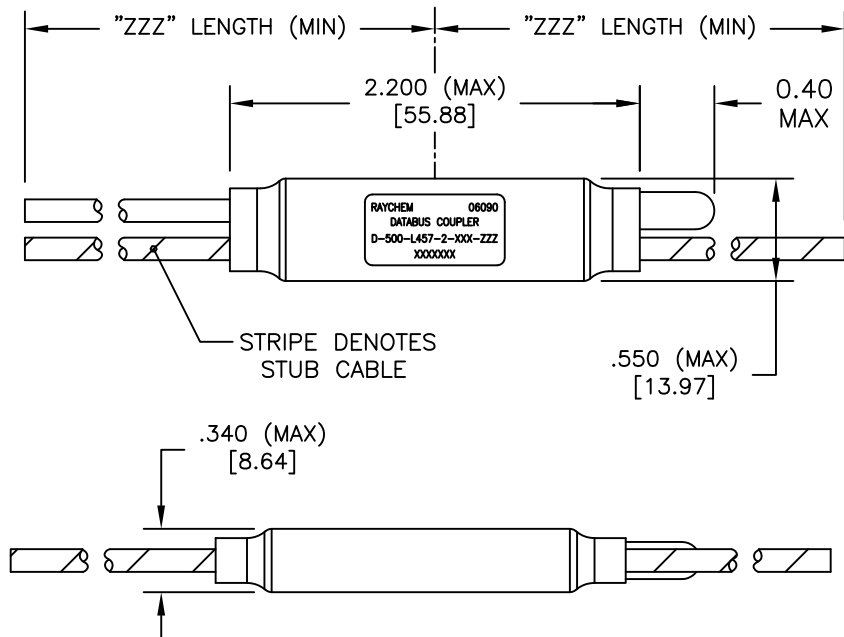


REVISION		
REV	DESCRIPTION	DATE
C	REVISED PER ECO-12-018952	26OCT2012

If this document is printed it becomes uncontrolled. Check for the latest revision



COMPONENT NUMBER

D-500-L457-2-XXX-ZZZ

7: INTERNAL TERMINATION RESISTOR

SCHEMATIC

NUMBER OF STUBS

CABLE LENGTH (INCHES)

CABLE

612: 10612 (OPTIMIZED SINGLE SHIELD)  
 613: 10613 (OPTIMIZED DOUBLE SHIELD)  
 614: 10614 (EMP HARDENED)  
 EP3: EPD30653Q (BUS), EPD31346A-6L9-US (STUB) (OPTIMIZED DOUBLE SHIELD)  
 H06: 7724H0664 (FLAT SHIELD WIRE, UNFILLED)  
 6D0: 7726D0664 26 AWG OPTIMIZED SINGLE SHIELD  
 6D3: 7726D3664 26 AWG OPTIMIZED DOUBLE SHIELD

© 2011-2012 Tyco Electronics Corporation. All Rights Reserved.

Raychem Databus  
CUSTOMER DRAWING

UNLESS OTHERWISE SPECIFIED DIMENSIONS ARE INCHES. METRIC DIMENSIONS ARE IN BRACKETS.

DECIMAL TOLERANCES  
 .XXX ± 0.005 [ 0.13 mm]  
 .XX ± 0.010 [ 0.25 mm]  
 .X ± 0.020 [ 0.50 mm]

ANGLE TOLERANCE  
 .X ± 0.5 DEG.

WEIGHT WITHOUT CABLE (MAX)  
 LBS. 0.0227 [ 10.30 gm]

CAD FILE  
 D-500-L457-2-XXX-ZZZ.a

DRAWN T RATZLAFF	DATE 07DEC2001
MATERIAL	FINISH
THIRD ANGLE PROJECTION	

**STE** TE Connectivity

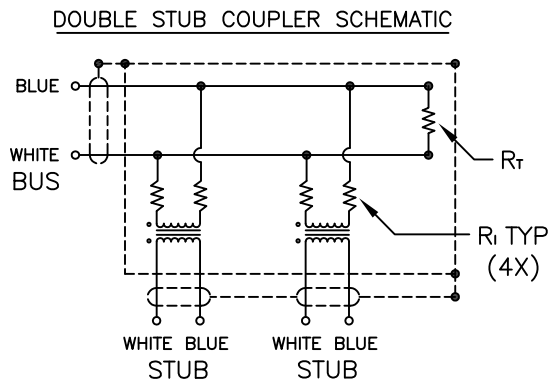
TITLE  
 DATABUS MICROCOUPLER,  
 DOUBLE STUB,  
 LIGHTWEIGHT

SIZE A	CODE IDENT. NO. 06090	DWG. NO. D-500-L457-2-XXX-ZZZ
-----------	--------------------------	----------------------------------

DO NOT SCALE THIS DRAWING SHEET 1 OF 2

If this document is printed it becomes uncontrolled. Check for the latest revision

1. MATERIAL AND FINISHES:
  - 1.1 INTERNAL COMPONENTS:
    - TRANSFORMER TO MIL-PRF-21038 AND MIL-STD-1553B
    - ISOLATION RESISTORS TO MIL-PRF-39007/9, 57.6 OHMS
    - TERMINATION RESISTOR TO MIL-PRF-39007/9, 76.8 OHMS
  - 1.2 SHIELDED CASE: ALUMINUM PER ASTM B 618 OR ASTM B211
  - 1.3 SEALED COVER: MODIFIED CROSS-LINKED, FLAME RETARDANT, BLACK, FLUOROPOLYMER TO RAYCHEM SPECIFICATION RT-370.
  - 1.4 CABLE TO RAYCHEM SPECIFICATION 1200.
  
2. APPLICATION:
  - 2.1 THIS COUPLER IS DESIGNED TO BE INSTALLED INTO A DIGITAL MULTIPLEX ASSEMBLY MEETING THE REQUIREMENTS OF MIL-STD-1553B.
  - 2.2 CABLE BEND RADIUS PER SAE-AS50881 STATIC BEND: 5 x CABLE O.D. MIN.  
DYNAMIC BEND: 10 x CABLE O.D. MIN.
  
3. TEMPERATURE:
  - 3.1 OPERATING TEMPERATURE: -65°C TO +150°C
  
4. PERFORMANCE SPECIFICATIONS:
  - 4.1 COUPLER MEETS THE PERFORMANCE REQUIREMENTS OF MIL-STD-1553B AND USAF DRAWING 8912026.
  
5. WEIGHT:
  - 5.1 WEIGHT WITHOUT CABLE: 10.3 GRAMS (MAXIMUM).
  
6. ORDERING INFORMATION:
  - 6.1 ORDER PER COMPONENT NUMBER (SEE SHEET 1) AND DESIRED "ZZZ" CABLE LENGTH.
  - 6.2 SPECIFY CERTIFICATION OF CONFORMANCE REQUIREMENTS AS SEPARATE LINE ITEM.
  - 6.3 SPLICE KITS TO BE ORDERED SEPARATELY. PRODUCT NUMBER: D-150-0708-5.



DRAWN T RATZLAFF	DATE 07DEC2001		SIZE A	CODE IDENT. NO. 06090	DWG. NO. D-500-L457-2-XXX-ZZZ	REV C
CAD FILE D-500-L457-2-XXX-ZZZb			DO NOT SCALE THIS DRAWING		SHEET 2 OF 2	