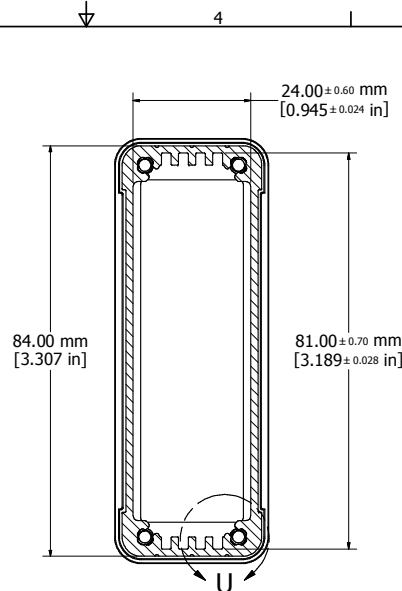
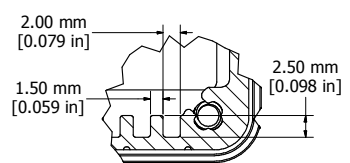
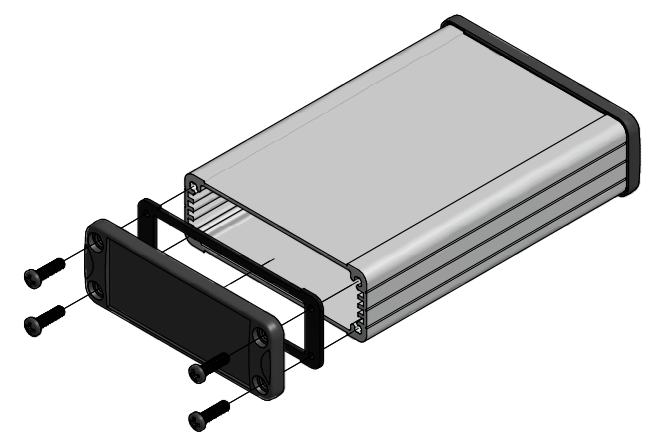


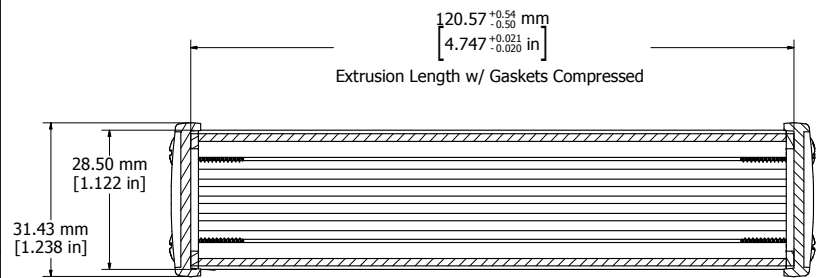
ASSEMBLY - VIEW FROM TOP



SECTION T-T

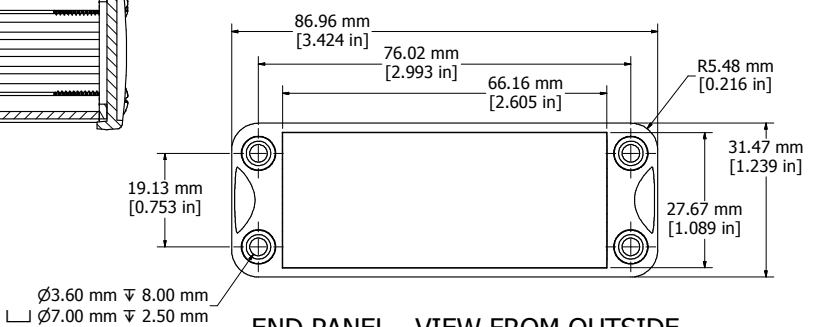


DETAIL U



SECTION Y-Y

Fits 120mm (4.724") X 80mm (3.149") PCB



END PANEL - VIEW FROM OUTSIDE

**PROTECTION TO IP 65**

Enclosures can be Factory Modified ( Milling, Drilling, Printing etc. )  
 Contact Factory [mjm@hammondmfg.com](mailto:mjm@hammondmfg.com) for quotes  
 Solid models of this enclosure available in STEP or IGES.

| NOTE  |              |
|---|--------------|
| Purchased assembly includes box, end panels, #6 Taptight screws w/ O-rings, self adhesive rubber feet, and gaskets. |              |
| Box made from Extruded Aluminum 6063.   |              |
| End panels made from ADC-12 Diecast Aluminum with a black powder paint finish.                                      |              |
| WATERTIGHT 1457J1201  |              |
| PART NUMBERS  |              |
| Clear anodized box with black powder painted end panels   | 1457J1201    |
| Black powder painted box and end panels   | 1457J1201BK  |
| EMI/RFI SHIELDED (IP 54)  |              |
| Clear anodized box with black powder painted end panels   | 1457J1201E   |
| Black powder painted box and end panels   | 1457J1201EBK |
| ACCESSORIES   |              |
| See website for accessories.  |              |

**HAMMOND MANUFACTURING™**  
**1457J1201**  
[www.hammondmfg.com](http://www.hammondmfg.com)