

## LED Strip from inspired LED

LED Strips are adhesive backed flex circuits with 3528 LEDs evenly spaced on a reel. Cut Lengths from 500mm to 12 meters are available.



### Choice of options

#### Brightness

Super Bright – SB, 30 LEDs per 500mm length  
Normal Bright –NB, 15 LEDs per 500mm length

#### Color

Cool White – 6500K (daylight)  
Blue- 0425nm  
Red-0625nm  
Green-0565nm  
Warm White -3200K (soft white)

#### Cut Length 500mm=Qty 1

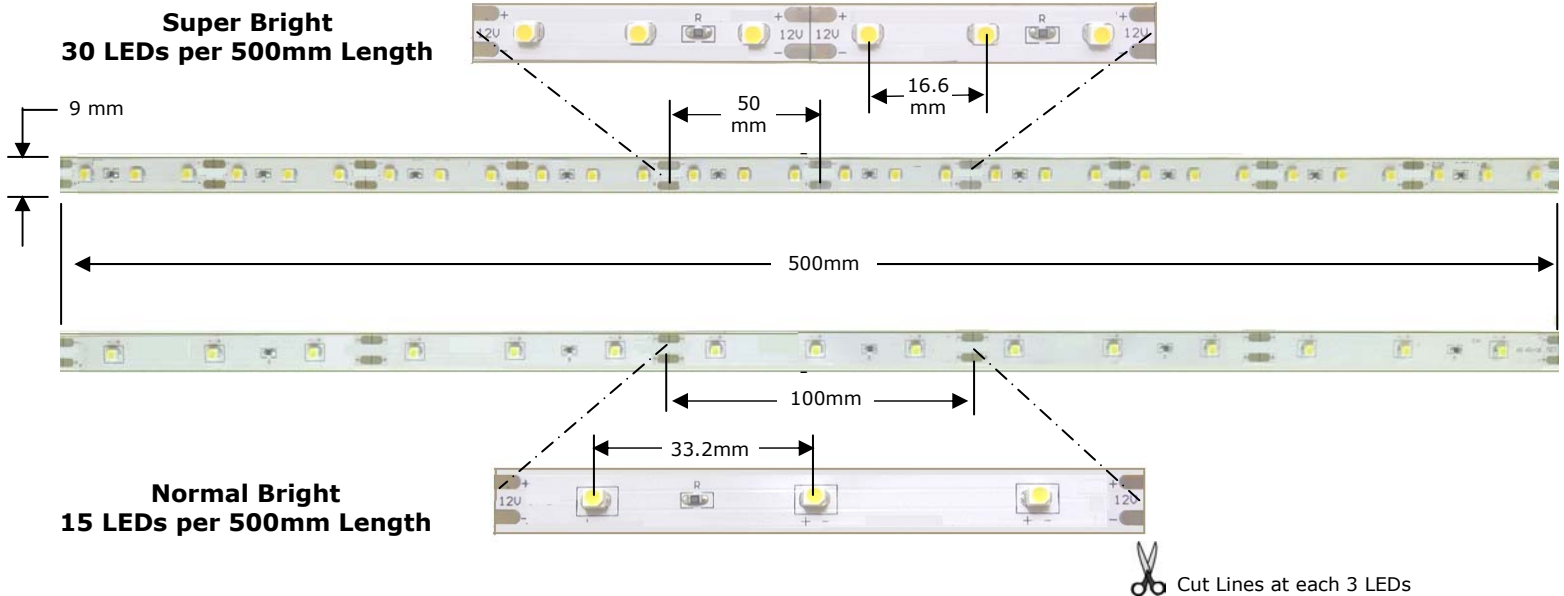
Any Length from 500mm to 12 meters, in 500mm increments. The strip can be cut at every three LEDs, allowing you to make multiple LED strips from one cut length.

### How do you buy this product

The product is on a continuous 12 meter reel, the length is determined by the quantity of 500mm sections you need.

Examples;

- A backlight project requires a 12" length of flex, you purchase **1**, you get a 500mm section (19.6") you cut to length and you have some extra for the next project.
- You have a display case that requires two 4 meter strips, you purchase **16**, (16 x 500mm= 8 meters) measure and cut into two four meter strips.
- Your kitchen cabinet lighting project requires two 30" and three 18" strips,(114" or 2895mm), you purchase **6** (6x 500mm=3000mm) cut to the lengths you need.



### Part Number

SB = Super Bright  
NB = Normal Bright

**XX XXXX CT**

6500 = Cool White  
0425 = Blue  
0625 = Red  
0565 = Green  
3200 = Warm White

500mm  
Section of  
cut tape

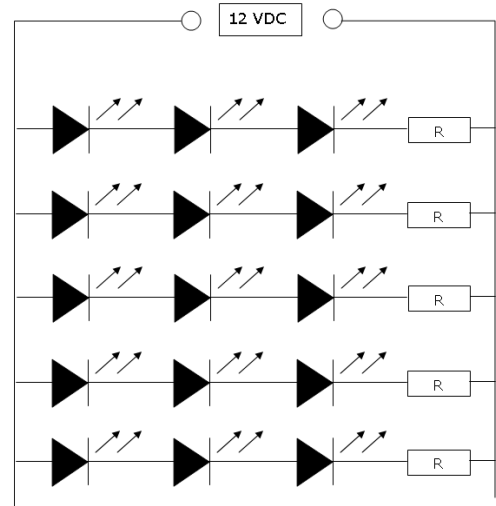
**Specifications**

**Power Requirement** – 12VDC per section of 3 LEDs. Each LED rated at .08W, 6.6mA.

**Flex Circuit Rating** - 4000ma. DO NOT EXCEED 4000ma FOR A CUT LENGTH OF STRIP.

**LED** – 32.x 2.8mm 120° viewing angle  
 Cool White - 4.1 Lumen, 6500 Kelvin  
 Blue – 1 Lumen, 425 nm  
 Red – 1.2 Lumen, 625 nm  
 Green – 1.2 Lumen, 565 nm  
 Warm White – 2.5 Lumen , 3200 Kelvin

**ASSEMBLY** – RoHS Compliant



**Super Bright  
 Maximum Length is 10 meters, 600 LEDs**

Qty of Strips	mm	meters	inchs	# of LEDs	ma
1	500	0.5	19 1/2	30	200
2	1000	1	39 1/2	60	400
3	1500	1.5	59	90	600
4	2000	2	78 1/2	120	800
5	2500	2.5	98 1/2	150	1000
6	3000	3	118	180	1200
7	3500	3.5	138	210	1400
8	4000	4	157 1/2	240	1600
9	4500	4.5	177	270	1800
10	5000	5	197	300	2000
11	5500	5.5	216 1/2	330	2200
12	6000	6	236	360	2400
13	6500	6.5	256	390	2600
14	7000	7	275 1/2	420	2800
15	7500	7.5	295 1/2	450	3000
16	8000	8	315	480	3200
17	8500	8.5	334 1/2	510	3400
18	9000	9	354 1/2	540	3600
19	9500	9.5	374	570	3800
20	10000	10	393 1/2	600	4000
21	10500	10.5	413 1/2	630	4200
22	11000	11	433	660	4400
23	11500	11.5	453	690	4600
24	12000	12	472 1/2	720	4800

**Normal Bright  
 Maximum Length is 12 meters, 360 LEDs**

Qty of Strips	mm	meters	inchs	# of LEDs	ma
1	500	0.5	19 2/3	15	100
2	1000	1	39 3/8	30	200
3	1500	1.5	59	45	300
4	2000	2	78 3/4	60	400
5	2500	2.5	98 3/7	75	500
6	3000	3	118 1/9	90	600
7	3500	3.5	137 4/5	105	700
8	4000	4	157 1/2	120	800
9	4500	4.5	177 1/6	135	900
10	5000	5	196 6/7	150	1000
11	5500	5.5	216 1/2	165	1100
12	6000	6	236 2/9	180	1200
13	6500	6.5	256	195	1300
14	7000	7	275 3/5	210	1400
15	7500	7.5	295 2/7	225	1500
16	8000	8	315	240	1600
17	8500	8.5	334 2/3	255	1700
18	9000	9	354 1/3	270	1800
19	9500	9.5	374	285	1900
20	10000	10	393 5/7	300	2000
21	10500	10.5	413 2/5	315	2100
22	11000	11	433	330	2200
23	11500	11.5	452 3/4	345	2300
24	12000	12	472 4/9	360	2400

**Flex Circuit Rating** - 4000ma. DO NOT EXCEED 4000ma FOR A CUT LENGTH OF STRIP

**User Note** – Voltage drop will reduce the amount of light of LEDs furthest from the power source. For lengths over 5 meters powering from the center of the strip will produce a more consistent light over the length.

# Mouser Electronics

Authorized Distributor

Click to View Pricing, Inventory, Delivery & Lifecycle Information:

## Inspired LED:

<a href="#"><u>NB-6500-0300-1C</u></a>	<a href="#"><u>NB-6500-0300-2C</u></a>	<a href="#"><u>NB-6500-0400-1C</u></a>	<a href="#"><u>NB-6500-0400-2C</u></a>	<a href="#"><u>NB-6500-0500-1C</u></a>	<a href="#"><u>NB-6500-0500-2C</u></a>
<a href="#"><u>NB-6500-0600-1C</u></a>	<a href="#"><u>NB-6500-0600-2C</u></a>	<a href="#"><u>NB-6500-0700-1C</u></a>	<a href="#"><u>NB-6500-0700-2C</u></a>	<a href="#"><u>NB-6500-0800-1C</u></a>	<a href="#"><u>NB-6500-0800-2C</u></a>
<a href="#"><u>NB-6500-0900-1C</u></a>	<a href="#"><u>NB-6500-0900-2C</u></a>	<a href="#"><u>NB-6500-1000-1C</u></a>	<a href="#"><u>NB-6500-1000-2C</u></a>	<a href="#"><u>NB-6500-1100-1C</u></a>	<a href="#"><u>NB-6500-1100-2C</u></a>
<a href="#"><u>NB-6500-1200-1C</u></a>	<a href="#"><u>NB-6500-1200-2C</u></a>	<a href="#"><u>NB-6500-1300-1C</u></a>	<a href="#"><u>NB-6500-1300-2C</u></a>	<a href="#"><u>NB-6500-1400-1C</u></a>	<a href="#"><u>NB-6500-1400-2C</u></a>
<a href="#"><u>NB-6500-1500-1C</u></a>	<a href="#"><u>NB-6500-1500-2C</u></a>	<a href="#"><u>NB-6500-1600-1C</u></a>	<a href="#"><u>NB-6500-1600-2C</u></a>	<a href="#"><u>NB-6500-1700-1C</u></a>	<a href="#"><u>NB-6500-1700-2C</u></a>
<a href="#"><u>NB-6500-1800-1C</u></a>	<a href="#"><u>NB-6500-1800-2C</u></a>	<a href="#"><u>NB-6500-1900-1C</u></a>	<a href="#"><u>NB-6500-1900-2C</u></a>	<a href="#"><u>NB-6500-2000-1C</u></a>	<a href="#"><u>NB-6500-2000-2C</u></a>
<a href="#"><u>NB-6500-2100-1C</u></a>	<a href="#"><u>NB-6500-2100-2C</u></a>	<a href="#"><u>NB-6500-2200-1C</u></a>	<a href="#"><u>NB-6500-2200-2C</u></a>	<a href="#"><u>NB-6500-2300-1C</u></a>	<a href="#"><u>NB-6500-2300-2C</u></a>
<a href="#"><u>NB-6500-2400-1C</u></a>	<a href="#"><u>NB-6500-2400-2C</u></a>	<a href="#"><u>NB-6500-2500-1C</u></a>	<a href="#"><u>NB-6500-2500-2C</u></a>	<a href="#"><u>NB-6500-2600-1C</u></a>	<a href="#"><u>NB-6500-2600-2C</u></a>
<a href="#"><u>NB-6500-2700-1C</u></a>	<a href="#"><u>NB-6500-2700-2C</u></a>	<a href="#"><u>NB-6500-2800-1C</u></a>	<a href="#"><u>NB-6500-2800-2C</u></a>	<a href="#"><u>NB-6500-2900-1C</u></a>	<a href="#"><u>NB-6500-2900-2C</u></a>
<a href="#"><u>NB-6500-3000-1C</u></a>	<a href="#"><u>NB-6500-3000-2C</u></a>	<a href="#"><u>NB-6500-3100-1C</u></a>	<a href="#"><u>NB-6500-3100-2C</u></a>	<a href="#"><u>NB-6500-3200-1C</u></a>	<a href="#"><u>NB-6500-3200-2C</u></a>
<a href="#"><u>NB-6500-3300-1C</u></a>	<a href="#"><u>NB-6500-3300-2C</u></a>	<a href="#"><u>NB-6500-3400-1C</u></a>	<a href="#"><u>NB-6500-3400-2C</u></a>	<a href="#"><u>NB-6500-3500-1C</u></a>	<a href="#"><u>NB-6500-3500-2C</u></a>
<a href="#"><u>NB-6500-3600-1C</u></a>	<a href="#"><u>NB-6500-3600-2C</u></a>	<a href="#"><u>NB-6500-3700-1C</u></a>	<a href="#"><u>NB-6500-3700-2C</u></a>	<a href="#"><u>NB-6500-3800-1C</u></a>	<a href="#"><u>NB-6500-3800-2C</u></a>
<a href="#"><u>NB-6500-3900-1C</u></a>	<a href="#"><u>NB-6500-3900-2C</u></a>	<a href="#"><u>NB-6500-4000-1C</u></a>	<a href="#"><u>NB-6500-4000-2C</u></a>	<a href="#"><u>NB-6500-4100-1C</u></a>	<a href="#"><u>NB-6500-4100-2C</u></a>
<a href="#"><u>NB-6500-4200-1C</u></a>	<a href="#"><u>NB-6500-4200-2C</u></a>	<a href="#"><u>NB-6500-4300-1C</u></a>	<a href="#"><u>NB-6500-4300-2C</u></a>	<a href="#"><u>NB-6500-4400-1C</u></a>	<a href="#"><u>NB-6500-4400-2C</u></a>
<a href="#"><u>NB-6500-4500-1C</u></a>	<a href="#"><u>NB-6500-4500-2C</u></a>	<a href="#"><u>NB-6500-4600-1C</u></a>	<a href="#"><u>NB-6500-4600-2C</u></a>	<a href="#"><u>NB-6500-4700-1C</u></a>	<a href="#"><u>NB-6500-4700-2C</u></a>
<a href="#"><u>NB-6500-4800-1C</u></a>	<a href="#"><u>NB-6500-4800-2C</u></a>	<a href="#"><u>NB-6500-4900-1C</u></a>	<a href="#"><u>NB-6500-4900-2C</u></a>	<a href="#"><u>NB-6500-5000-1C</u></a>	<a href="#"><u>NB-6500-5000-2C</u></a>
<a href="#"><u>NB-6500-5100-1C</u></a>	<a href="#"><u>NB-6500-5100-2C</u></a>	<a href="#"><u>NB-6500-5200-1C</u></a>	<a href="#"><u>NB-6500-5200-2C</u></a>		