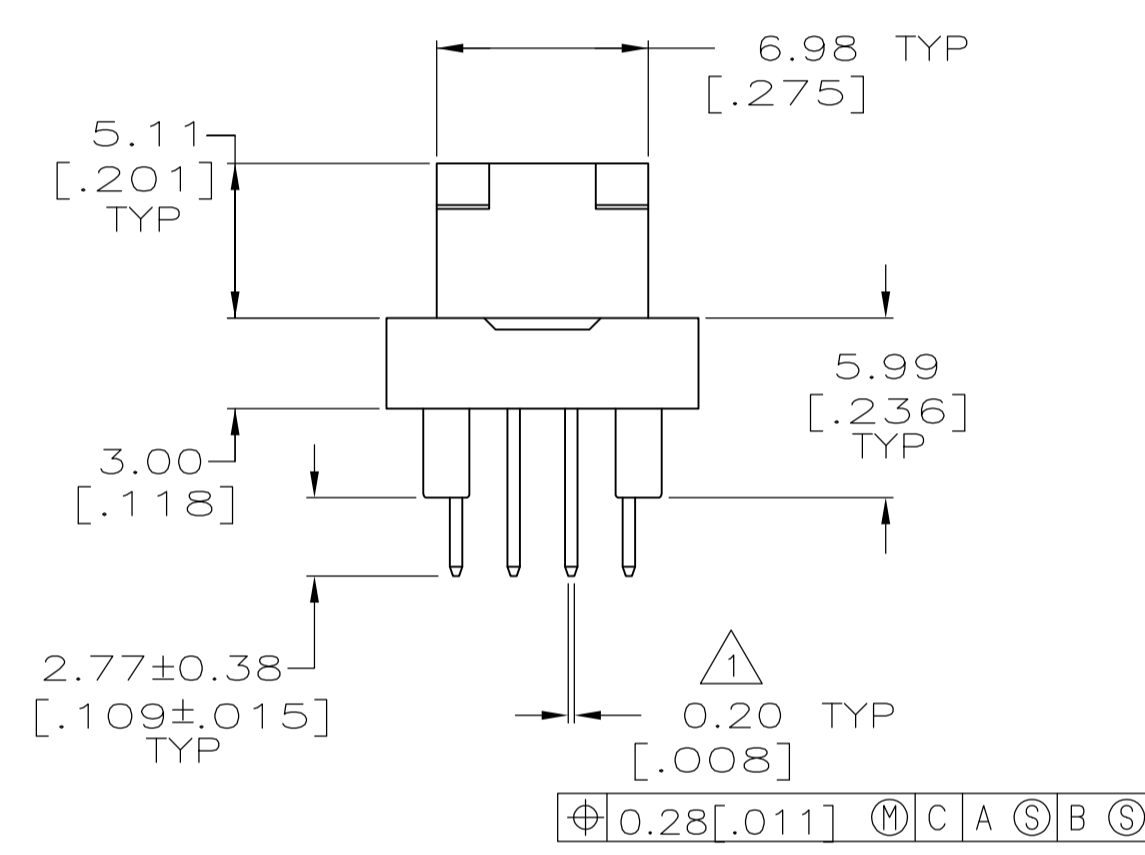
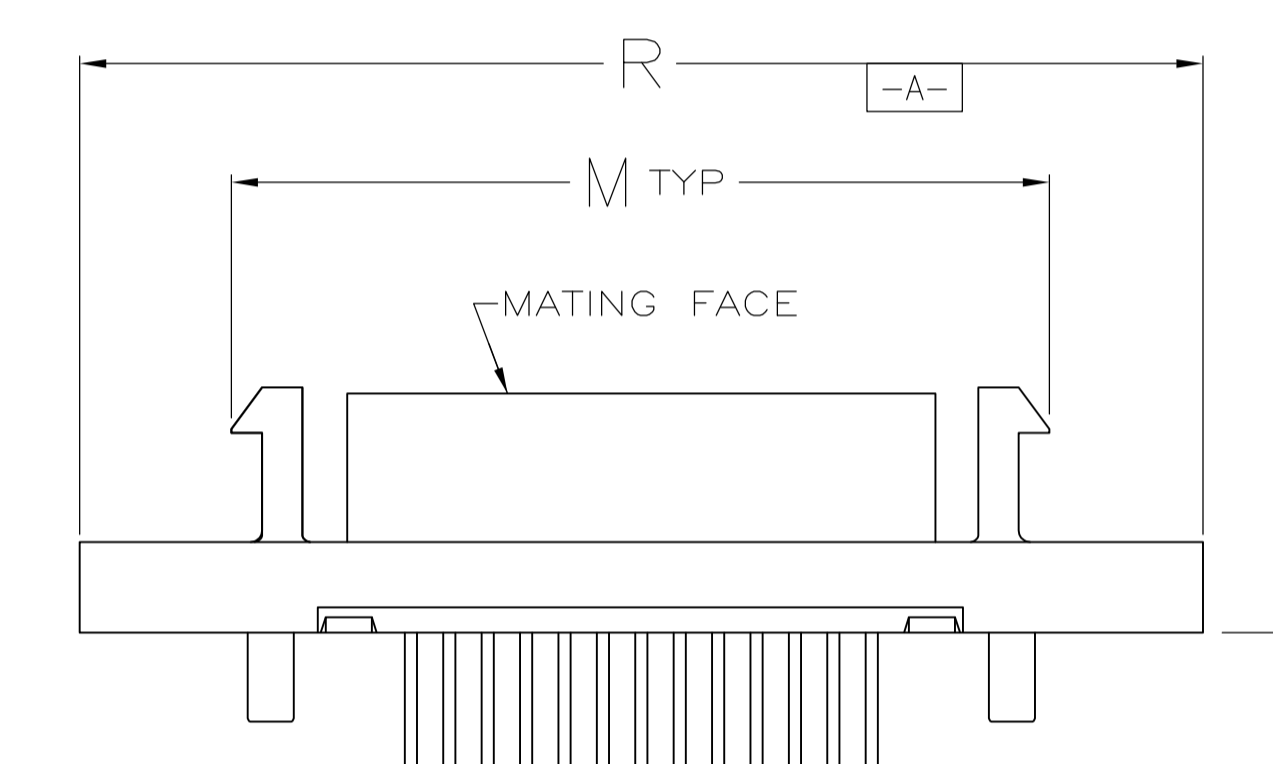
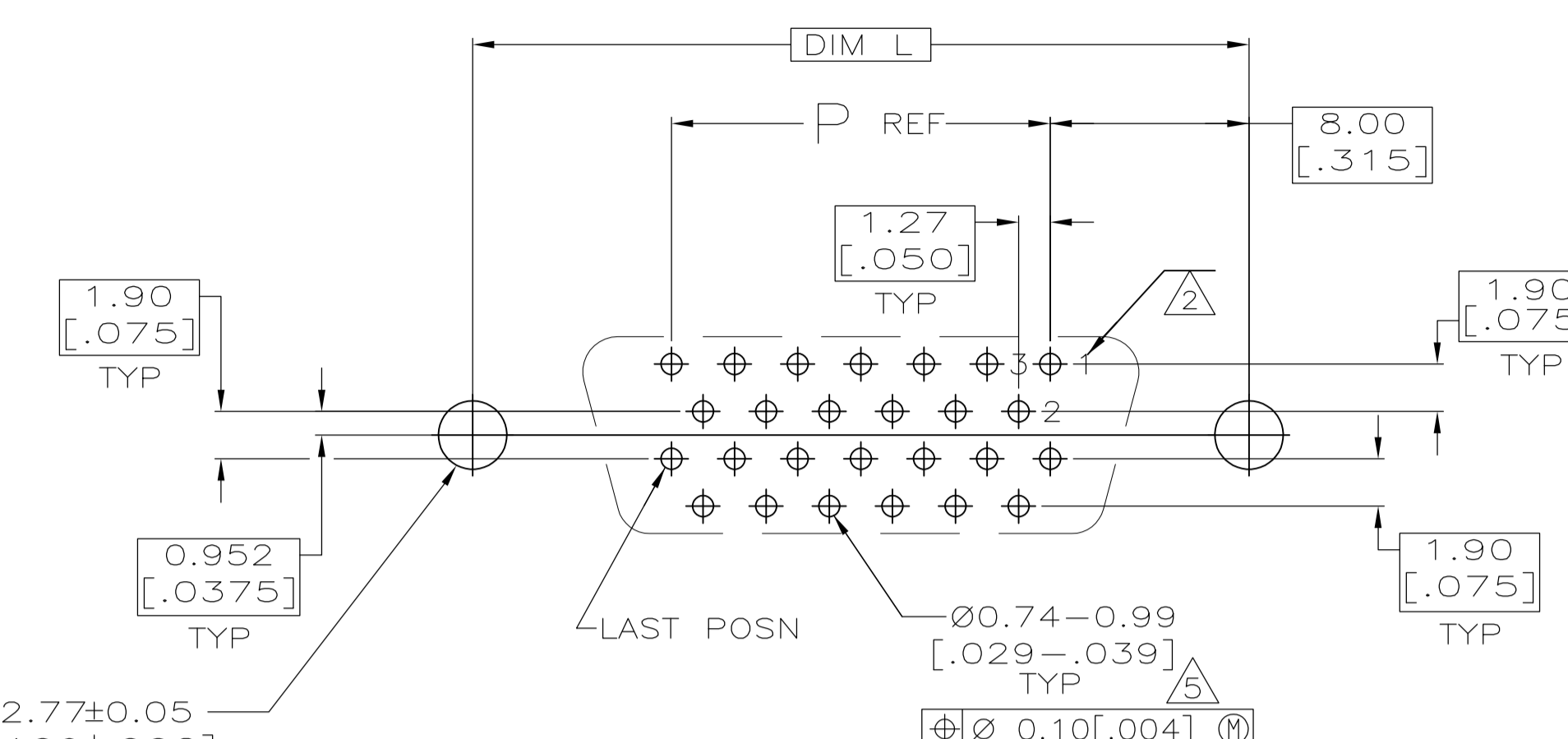
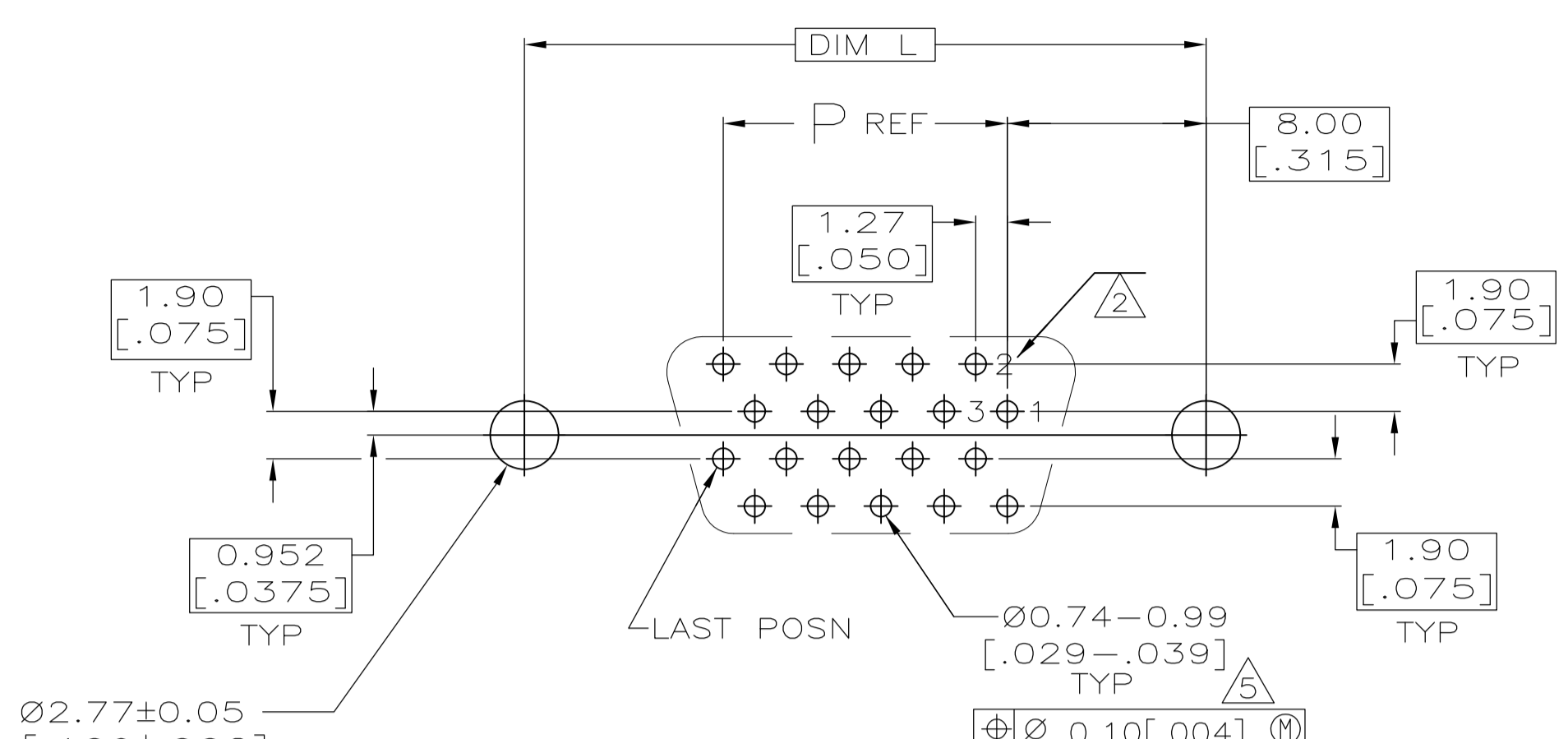
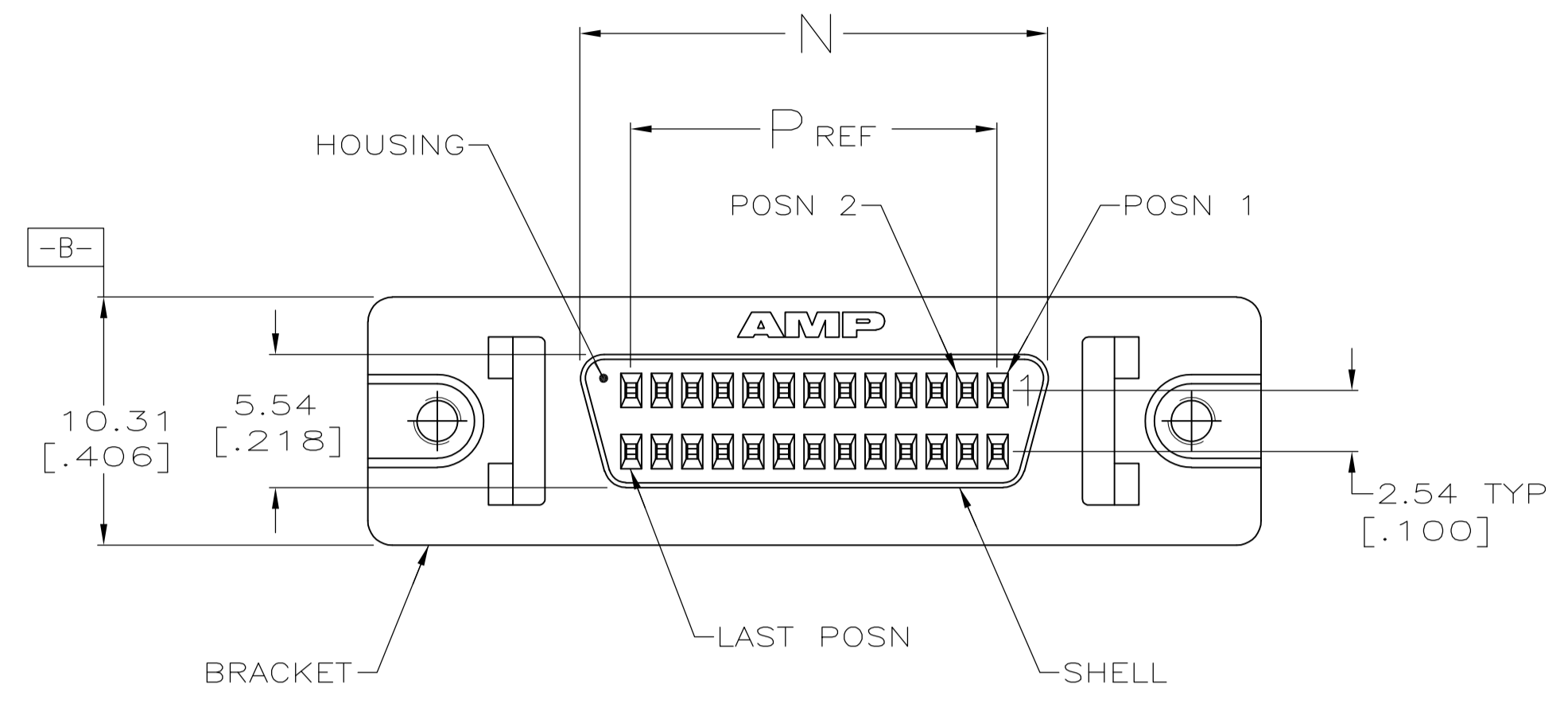
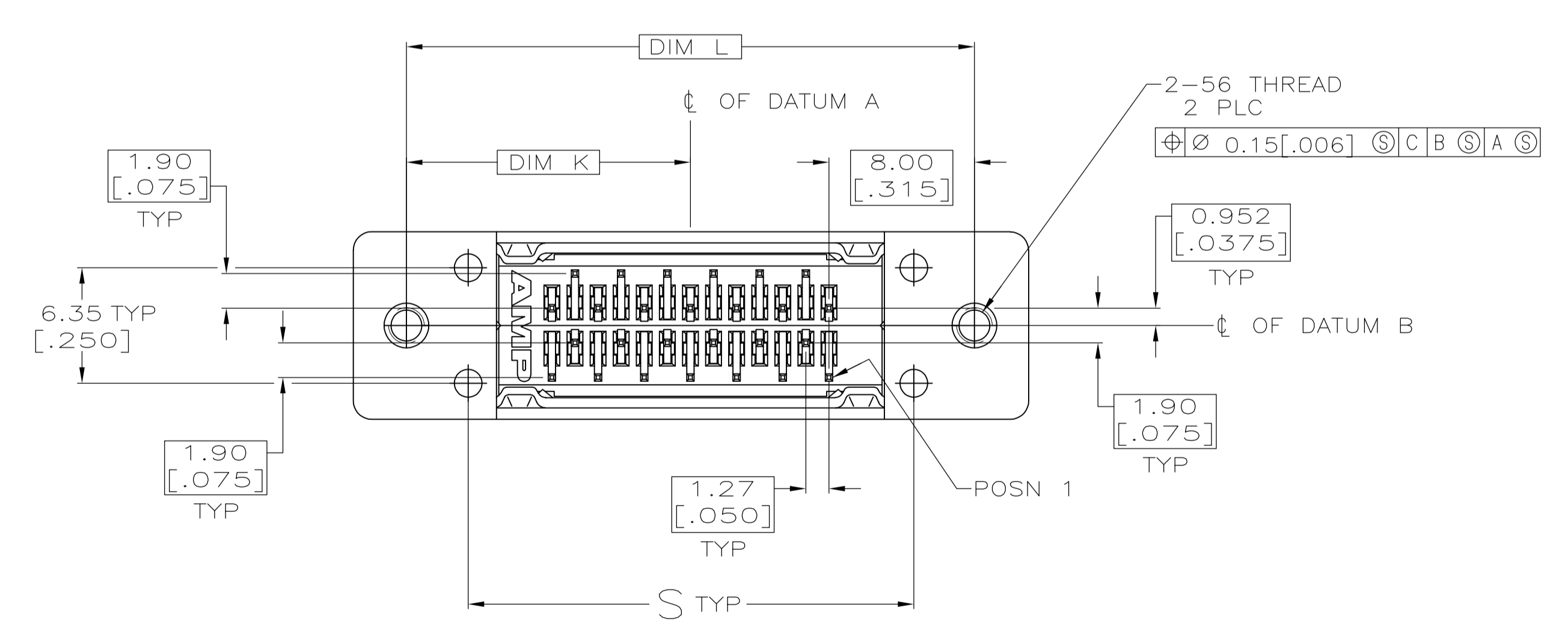


LOC		DIST		REVISIONS			
GP	00	F	LTR	DESCRIPTION	DATE	DMN	APVD
		B		REVISED PER ECO-08-020284	20AUG2008	ZMR	BAS
		B1		REVISED PER ECO-09-024927	10NOV09	KK	AEG



- 1 POSITION TOLERANCE APPLIES AT CONTACT TIP.
- 2 POSITION NUMBERS SHOWN FOR REFERENCE ONLY.
- 3 MATERIAL
HOUSING: POLYESTER, UL 94V-0 RATED, BLACK.
SHELL: CARBON STEEL
CONTACTS: PHOSPHOR BRONZE
BRACKET: ZINC
- 4 FINISH
SHELL: 5.08µm [.000200] MIN NICKEL OVER 1.27µm [.000050] MIN COPPER.
BRACKET: 3.81µm [.000150] MIN NICKEL OVER 5.08µm [.000200] MIN COPPER.
CONTACTS: EITHER 0.76µm [.000030] MIN GOLD PLATE FOR A LENGTH OF 0.64 [.025] MIN, 0.13 [.005] MAX FROM MATING END, OR GOLD FLASH PLATED OVER PALLADIUM NICKEL PLATE, 0.76µm [.000030] MIN TOTAL FOR A LENGTH OF 0.64 [.025] MIN, 0.13 [.005] MAX FROM MATING END. 3.81µm [.000150] MIN TIN ON SOLDER POST, BOTH OVER 1.27µm [.000050] MIN NICKEL.
- 5 ACTUAL HOLE SIZE WILL DEPEND ON TRACE ROUTING REQUIREMENTS BETWEEN HOLES AND CONNECTOR PLACEMENT TECHNIQUE.
- 6 OBSOLETE PARTS: OBSOLETE CIS STREAMLINING PER D.RENAUD/D.SINISI



6	OBSOLETE	PER DETAIL X	58.80 [2.315]	71.50 [2.815]	49.53 [1.950]	53.75 [2.116]	61.34 [2.415]	65.53 [2.580]	32.77 [1.290]	80	-5750458-8-
		PER DETAIL Y	39.75 [1.565]	52.45 [2.065]	30.48 [1.200]	34.70 [1.366]	42.29 [1.665]	46.48 [1.830]	23.24 [.915]	50	5750458-5
		RECOMMENDED PCB MTG DIMENSIONS	S	R	P	N	M	L	K	NO OF POSN	PART NO.

**COPYRIGHT 2005
 TYCO ELECTRONICS CORP
 ALL RIGHTS RESERVED**

THIS DRAWING IS A CONTROLLED DOCUMENT.

DIMENSIONS: mm [INCHES]	TOLERANCES UNLESS OTHERWISE SPECIFIED: 0 PLC ± - 1 PLC ± - 2 PLC ± 0.13 [.005] 3 PLC ± - 4 PLC ± - ANGLES ± -	APPROVED: M. WALMSLEY DATE: 03-01-05	DESIGNED: A. FERNANDEZ-DUCKS DATE: 03-01-05	NAME: Tyco Electronics Corporation Harrisburg, PA 17105-3608
MATERIAL: 3	FINISH: 4	PRODUCT SPEC: 108-1228	APPLICATION SPEC: 114-40029	SIZE: A1
CUSTOMER DRAWING		SCALE: 4:1	SHEET: 1 of 1	REV: B1