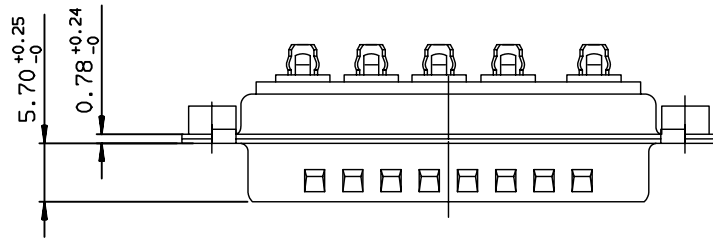
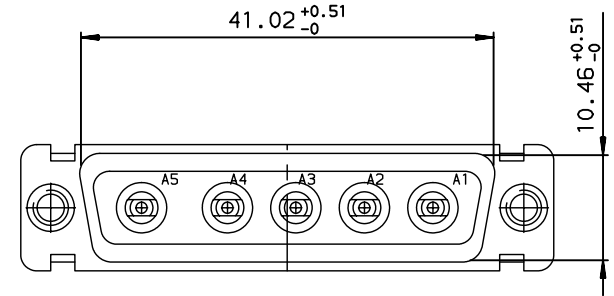
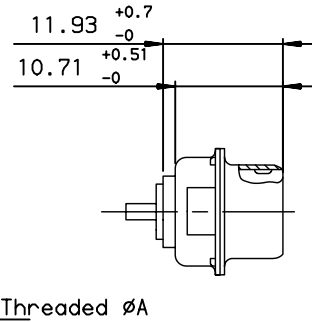
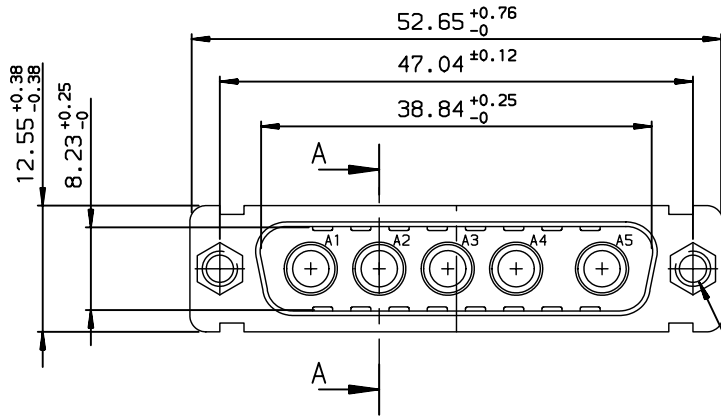
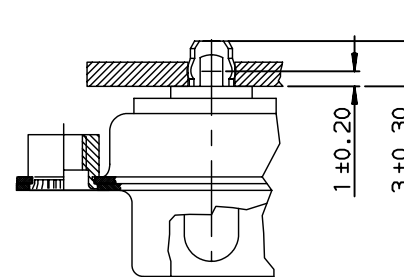


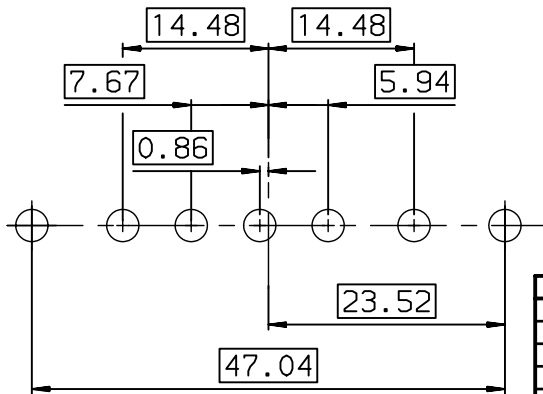
GENERAL CHARACTERISTICS : SEE DRAWING C01-8639-0002



DETAIL OF PRESS FIT
Scale: 3



LAYOUT DIMENSIONS (after plating)
CONNECTOR SIDE VIEW



DB05W5P93C6A40	UNC 4.40
DB05W5P93C5A40	UNC 4.40
DBL5W5P93C6A40	M3
DBL5W5P93C5A40	M3
PART NUMBER	Threaded A

European Views

www.fciconnect.com		surface ISO 1302 ✓	tolerance std ISO 406 ISO 1101	projection mm
TOLERANCES UNLESS OTHERWISE SPECIFIED				
ANGULAR	LINEAR	0.X	±0.1	size A3
0.XX' ±2'		0.XX	±0.1	Scale 2
0.XX' ±2'		0.XXX	±0.1	ECN LS07-0094
Product family		SUB		Spec ref -
FCj	title MALE CONNECTOR 5W5 WITH POWER PF FOR FOOT PRINT 6.90mm		dwg no C01-8639-1724	Rev. C
catalog no		CUSTOMER		sheet 1 of 1

rev	ecn no	dr	date
B	-	MPE	2003/09/29
C	LS07-0094	MPE	2007/04/05
-	-	-	-
-	-	-	-
-	-	-	-
-	-	-	-

Dr	PESSON	2003/09/29
Eng	PESSON	2003/09/29
Chr	LEGARE	2003/09/29
Appr	LEGARE	2003/09/29