

To our customers,

---

## Old Company Name in Catalogs and Other Documents

---

On April 1<sup>st</sup>, 2010, NEC Electronics Corporation merged with Renesas Technology Corporation, and Renesas Electronics Corporation took over all the business of both companies. Therefore, although the old company name remains in this document, it is a valid Renesas Electronics document. We appreciate your understanding.

Renesas Electronics website: <http://www.renesas.com>

April 1<sup>st</sup>, 2010  
Renesas Electronics Corporation

Issued by: Renesas Electronics Corporation (<http://www.renesas.com>)

Send any inquiries to <http://www.renesas.com/inquiry>.

EOL announced product

## Notice

1. All information included in this document is current as of the date this document is issued. Such information, however, is subject to change without any prior notice. Before purchasing or using any Renesas Electronics products listed herein, please confirm the latest product information with a Renesas Electronics sales office. Also, please pay regular and careful attention to additional and different information to be disclosed by Renesas Electronics such as that disclosed through our website.
  2. Renesas Electronics does not assume any liability for infringement of patents, copyrights, or other intellectual property rights of third parties by or arising from the use of Renesas Electronics products or technical information described in this document. No license, express, implied or otherwise, is granted hereby under any patents, copyrights or other intellectual property rights of Renesas Electronics or others.
  3. You should not alter, modify, copy, or otherwise misappropriate any Renesas Electronics product, whether in whole or in part.
  4. Descriptions of circuits, software and other related information in this document are provided only to illustrate the operation of semiconductor products and application examples. You are fully responsible for the incorporation of these circuits, software, and information in the design of your equipment. Renesas Electronics assumes no responsibility for any losses incurred by you or third parties arising from the use of these circuits, software, or information.
  5. When exporting the products or technology described in this document, you should comply with the applicable export control laws and regulations and follow the procedures required by such laws and regulations. You should not use Renesas Electronics products or the technology described in this document for any purpose relating to military applications or use by the military, including but not limited to the development of weapons of mass destruction. Renesas Electronics products and technology may not be used for or incorporated into any products or systems whose manufacture, use, or sale is prohibited under any applicable domestic or foreign laws or regulations.
  6. Renesas Electronics has used reasonable care in preparing the information included in this document, but Renesas Electronics does not warrant that such information is error free. Renesas Electronics assumes no liability whatsoever for any damages incurred by you resulting from errors in or omissions from the information included herein.
  7. Renesas Electronics products are classified according to the following three quality grades: “Standard”, “High Quality”, and “Specific”. The recommended applications for each Renesas Electronics product depends on the product’s quality grade, as indicated below. You must check the quality grade of each Renesas Electronics product before using it in a particular application. You may not use any Renesas Electronics product for any application categorized as “Specific” without the prior written consent of Renesas Electronics. Further, you may not use any Renesas Electronics product for any application for which it is not intended without the prior written consent of Renesas Electronics. Renesas Electronics shall not be in any way liable for any damages or losses incurred by you or third parties arising from the use of any Renesas Electronics product for an application categorized as “Specific” or for which the product is not intended where you have failed to obtain the prior written consent of Renesas Electronics. The quality grade of each Renesas Electronics product is “Standard” unless otherwise expressly specified in a Renesas Electronics data sheets or data books, etc.
    - “Standard”: Computers; office equipment; communications equipment; test and measurement equipment; audio and visual equipment; home electronic appliances; machine tools; personal electronic equipment; and industrial robots.
    - “High Quality”: Transportation equipment (automobiles, trains, ships, etc.); traffic control systems; anti-disaster systems; anti-crime systems; safety equipment; and medical equipment not specifically designed for life support.
    - “Specific”: Aircraft; aerospace equipment; submersible repeaters; nuclear reactor control systems; medical equipment or systems for life support (e.g. artificial life support devices or systems), surgical implantations, or healthcare intervention (e.g. excision, etc.), and any other applications or purposes that pose a direct threat to human life.
  8. You should use the Renesas Electronics products described in this document within the range specified by Renesas Electronics, especially with respect to the maximum rating, operating supply voltage range, movement power voltage range, heat radiation characteristics, installation and other product characteristics. Renesas Electronics shall have no liability for malfunctions or damages arising out of the use of Renesas Electronics products beyond such specified ranges.
  9. Although Renesas Electronics endeavors to improve the quality and reliability of its products, semiconductor products have specific characteristics such as the occurrence of failure at a certain rate and malfunctions under certain use conditions. Further, Renesas Electronics products are not subject to radiation resistance design. Please be sure to implement safety measures to guard them against the possibility of physical injury, and injury or damage caused by fire in the event of the failure of a Renesas Electronics product, such as safety design for hardware and software including but not limited to redundancy, fire control and malfunction prevention, appropriate treatment for aging degradation or any other appropriate measures. Because the evaluation of microcomputer software alone is very difficult, please evaluate the safety of the final products or system manufactured by you.
  10. Please contact a Renesas Electronics sales office for details as to environmental matters such as the environmental compatibility of each Renesas Electronics product. Please use Renesas Electronics products in compliance with all applicable laws and regulations that regulate the inclusion or use of controlled substances, including without limitation, the EU RoHS Directive. Renesas Electronics assumes no liability for damages or losses occurring as a result of your noncompliance with applicable laws and regulations.
  11. This document may not be reproduced or duplicated, in any form, in whole or in part, without prior written consent of Renesas Electronics.
  12. Please contact a Renesas Electronics sales office if you have any questions regarding the information contained in this document or Renesas Electronics products, or if you have any other inquiries.
- (Note 1) “Renesas Electronics” as used in this document means Renesas Electronics Corporation and also includes its majority-owned subsidiaries.
- (Note 2) “Renesas Electronics product(s)” means any product developed or manufactured by or for Renesas Electronics.

## 3803 Group (Spec.H) SINGLE-CHIP 8-BIT CMOS MICROCOMPUTER

REJ03B0017-0311  
Rev.3.11  
Apr 5, 2006

### 3803 Group (Spec.H) Mask ROM version

#### DESCRIPTION

The 3803 group (Spec.H) is the 8-bit microcomputer based on the 740 family core technology.

The 3803 group (Spec.H) is designed for household products, office automation equipment, and controlling systems that require analog signal processing, including the A/D converter and D/A converters.

#### FEATURES

- Basic machine-language instructions ..... 71
- Minimum instruction execution time ..... 0.24  $\mu$ s  
(at 16.8 MHz oscillation frequency)
- Memory size
  - ROM ..... 16 K to 60 K bytes
  - RAM ..... 640 to 2048 bytes
- Programmable input/output ports ..... 56
- Software pull-up resistors ..... Built-in
- Interrupts
  - 21 sources, 16 vectors.....
  - (external 8, internal 12, software 1)
- Timers ..... 16-bit  $\times$  1  
8-bit  $\times$  4  
(with 8-bit prescaler)
- Serial interface ..... 8-bit  $\times$  2 (UART or Clock-synchronized)  
8-bit  $\times$  1 (Clock-synchronized)
- PWM ..... 8-bit  $\times$  1 (with 8-bit prescaler)
- A/D converter ..... 10-bit  $\times$  16 channels  
(8-bit reading enabled)
- D/A converter ..... 8-bit  $\times$  2 channels

- Watchdog timer ..... 16-bit  $\times$  1
- LED direct drive port ..... 8
- Clock generating circuit ..... Built-in 2 circuits  
(connect to external ceramic resonator or quartz-crystal oscillator)
- Power source voltage

[In high-speed mode]

- At 16.8 MHz oscillation frequency ..... 4.5 to 5.5 V
- At 12.5 MHz oscillation frequency ..... 4.0 to 5.5 V
- At 8.4 MHz oscillation frequency ..... 2.7 to 5.5 V
- At 4.2 MHz oscillation frequency ..... 2.2 to 5.5 V
- At 2.1 MHz oscillation frequency ..... 2.0 to 5.5 V

[In middle-speed mode]

- At 16.8 MHz oscillation frequency ..... 4.5 to 5.5 V
- At 12.5 MHz oscillation frequency ..... 2.7 to 5.5 V
- At 8.4 MHz oscillation frequency ..... 2.2 to 5.5 V
- At 6.3 MHz oscillation frequency ..... 1.8 to 5.5 V

[In low-speed mode]

- At 32 kHz oscillation frequency..... 1.8 to 5.5 V

- Power dissipation
  - In high-speed mode ..... 40 mW (typ.)  
(at 16.8 MHz oscillation frequency, at 5 V power source voltage)
  - In low-speed mode ..... 45  $\mu$ W (typ.)  
(at 32 kHz oscillation frequency, at 3 V power source voltage)
- Operating temperature range ..... -20 to 85  $^{\circ}$ C
- Packages
  - SP ..... PRDP0064BA-A (64P4B) (64-pin 750 mil SDIP)
  - FP ..... PRQP0064GA-A (64P6N-A) (64-pin 14  $\times$  14 mm QFP)
  - HP ..... PLQP0064KB-A (64P6Q-A) (64-pin 10  $\times$  10 mm LQFP)
  - KP ..... PLQP0064GA-A (64P6U-A) (64-pin 14  $\times$  14 mm LQFP)
  - WG ..... PTLG0064JA-A (64F0G) (64-pin 6  $\times$  6 mm FLGA)

Currently support products are listed below.

Table 1 Support products (Mask ROM version)

Product name	ROM size (bytes) ROM size for User in ( )	RAM size (bytes)	Package	Remarks
M38034M4H-XXXSP	16384 (16254)	640	PRDP0064BA-A (64P4B)	
M38034M4H-XXXFP			PRQP0064GA-A (64P6N-A)	
M38034M4H-XXXHP			PLQP0064KB-A (64P6Q-A)	
M38034M4H-XXXKP			PLQP0064GA-A (64P6U-A)	
M38037M6H-XXXSP	24576 (24446)	1024	PRDP0064BA-A (64P4B)	
M38037M6H-XXXFP			PRQP0064GA-A (64P6N-A)	
M38037M6H-XXXHP			PLQP0064KB-A (64P6Q-A)	
M38037M6H-XXXKP			PLQP0064GA-A (64P6U-A)	
M38037M8H-XXXSP	32768 (32638)	1024	PRDP0064BA-A (64P4B)	
M38037M8H-XXXFP			PRQP0064GA-A (64P6N-A)	
M38037M8H-XXXHP			PLQP0064KB-A (64P6Q-A)	
M38037M8H-XXXKP			PLQP0064GA-A (64P6U-A)	
M38039MCH-XXXSP	49152 (49022)	2048	PRDP0064BA-A (64P4B)	
M38039MCH-XXXFP			PRQP0064GA-A (64P6N-A)	
M38039MCH-XXXHP			PLQP0064KB-A (64P6Q-A)	
M38039MCH-XXXKP			PLQP0064GA-A (64P6U-A)	
M38039MFH-XXXSP	61440 (61310)	2048	PRDP0064BA-A (64P4B)	
M38039MFH-XXXFP			PRQP0064GA-A (64P6N-A)	
M38039MFH-XXXHP			PLQP0064KB-A (64P6Q-A)	
M38039MFH-XXXKP			PLQP0064GA-A (64P6U-A)	
M38039MFH-XXXWG			PTLG0064JA-A (64F0G)	

#### NOTE:

1. Electrical characteristics differ by the 3803 group standard versions and the 3803 group (spec.H). Since the 3803 group standard versions are not indicated to this data sheet, refer to "3803/3804 Group Data Sheet".

**3803 Group (Spec.H) Flash memory version****DESCRIPTION**

The 3803 group (Spec.H) flash memory version is the 8-bit microcomputer based on the 740 family core technology.

The 3803 group (Spec.H) is designed for household products, office automation equipment, and controlling systems that require analog signal processing, including the A/D converter and D/A converters.

**FEATURES**

- Basic machine-language instructions ..... 71
- Minimum instruction execution time ..... 0.24  $\mu$ s  
(at 16.8 MHz oscillation frequency)
- Memory size
  - Flash memory ..... 60 K bytes
  - RAM ..... 2048 bytes
- Programmable input/output ports ..... 56
- Software pull-up resistors ..... Built-in
- Interrupts
  - 21 sources, 16 vectors.....
  - (external 8, internal 12, software 1)
- Timers ..... 16-bit  $\times$  1  
8-bit  $\times$  4  
(with 8-bit prescaler)
- Serial interface ..... 8-bit  $\times$  2 (UART or Clock-synchronized)  
8-bit  $\times$  1 (Clock-synchronized)
- PWM ..... 8-bit  $\times$  1 (with 8-bit prescaler)
- A/D converter ..... 10-bit  $\times$  16 channels  
(8-bit reading enabled)
- D/A converter ..... 8-bit  $\times$  2 channels
- Watchdog timer ..... 16-bit  $\times$  1
- LED direct drive port ..... 8
- Clock generating circuit ..... Built-in 2 circuits  
(connect to external ceramic resonator or quartz-crystal oscillator)

- Power source voltage
  - In high-speed mode
    - At 16.8 MHz oscillation frequency ..... 4.5 to 5.5 V
    - At 12.5 MHz oscillation frequency ..... 4.0 to 5.5 V
    - At 8.4 MHz oscillation frequency ..... 2.7 to 5.5 V
  - In middle-speed mode
    - At 16.8 MHz oscillation frequency ..... 4.5 to 5.5 V
    - At 12.5 MHz oscillation frequency ..... 2.7 to 5.5 V
  - In low-speed mode
    - At 32 kHz oscillation frequency..... 2.7 to 5.5 V
- Power dissipation
  - In high-speed mode ..... 27.5 mW (typ.)  
(at 16.8 MHz oscillation frequency, at 5 V power source voltage)
  - In low-speed mode ..... 1200  $\mu$ W (typ.)  
(at 32 kHz oscillation frequency, at 3 V power source voltage)
- Operating temperature range ..... -20 to 85 °C
- Packages
  - SP ..... PRDP0064BA-A (64P4B) (64-pin 750 mil SDIP)
  - FP ..... PRQP0064GA-A (64P6N-A) (64-pin 14  $\times$  14 mm QFP)
  - HP ..... PLQP0064KB-A (64P6Q-A) (64-pin 10  $\times$  10 mm LQFP)
  - KP ..... PLQP0064GA-A (64P6U-A) (64-pin 14  $\times$  14 mm LQFP)
  - WG ..... PTLG0064JA-A (64F0G) (64-pin 6  $\times$  6 mm FLGA)

**<Flash memory mode>**

- Power source voltage .....  $V_{cc} = 2.7$  to 5.5 V
- Program/Erase voltage .....  $V_{cc} = 2.7$  to 5.5 V
- Programming method ..... Programming in unit of byte
- Erasing method ..... Block erasing
- Program/Erase control by software command
- Number of times for programming/erasing ..... 100

**<Notes>**

The flash memory version cannot be used for application embedded in the MCU card.

Currently support products are listed below.

Table 2 Support products (Flash memory version)

Product name	Flash memory size (bytes)	RAM size (bytes)	Package	Remarks
M38039FFHSP	61440	2048	PRDP0064BA-A (64P4B)	$V_{cc} = 2.7$ to 5.5 V
M38039FFHFP			PRQP0064GA-A (64P6N-A)	
M38039FFHHP			PLQP0064KB-A (64P6Q-A)	
M38039FFHKP			PLQP0064GA-A (64P6U-A)	
M38039FFHWG			PTLG0064JA-A (64F0G)	
M38039FFSP			PRDP0064BA-A (64P4B)	$V_{cc} = 4.0$ to 5.5 V
M38039FFHP			PRQP0064GA-A (64P6N-A)	
M38039FFKP			PLQP0064KB-A (64P6Q-A)	

**NOTE:**

1. Since description, features, and electrical characteristics etc. of M38039FFSP, M38039FFFP, M38039FFHP are not indicated, refer to "3803/3804 group Data Sheet".

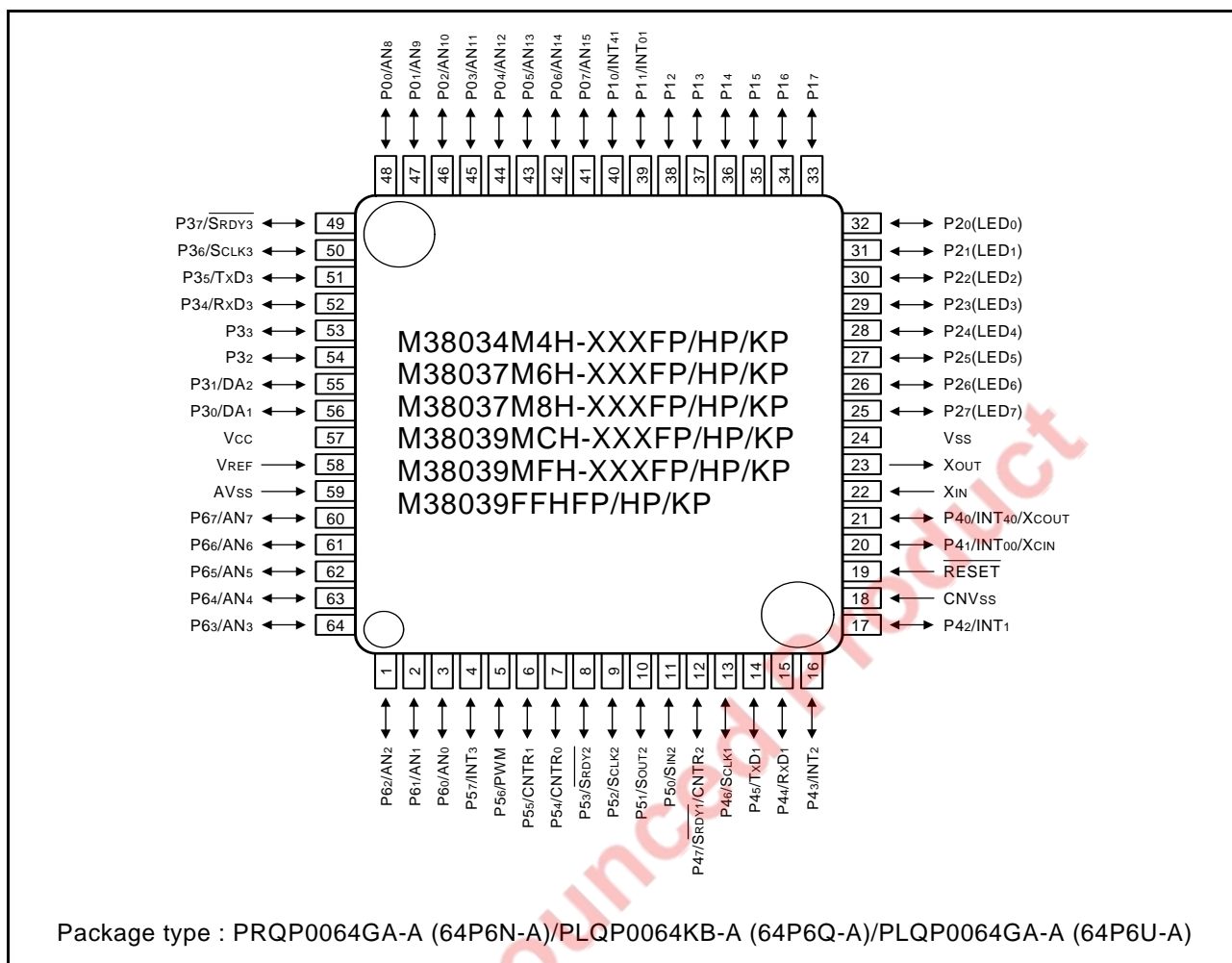


Fig 1. Pin configuration (Top view) PRQP0064GA-A (64P6N-A)/PLQP0064KB-A (64P6Q-A)/PLQP0064GA-A (64P6U-A)

Table 3 List of package (PRQP0064GA-A (64P6N-A)/PLQP0064KB-A (64P6Q-A)/PLQP0064GA-A (64P6U-A))

Package	Product name	ROM size (bytes) ROM size for User in ( )	RAM size (bytes)	Remarks
PRQP0064GA-A (64P6N-A)	M38034M4H-XXXXFP	16384 (16254)	640	Mask ROM version
	M38037M6H-XXXXFP	24576 (24446)	1024	
	M38037M8H-XXXXFP	32768 (32638)	1024	
	M38039MCH-XXXXFP	49152 (49022)	2048	
	M38039MFH-XXXXFP	61440 (61310)	2048	
	M38039FFHFP	61440	2048	Flash memory version
	M38039FFFP	61440	2048	Flash memory version (Vcc = 4.0 – 5.5 V)
PLQP0064KB-A (64P6Q-A)	M38034M4H-XXXXHP	16384 (16254)	640	Mask ROM version
	M38037M6H-XXXXHP	24576 (24446)	1024	
	M38037M8H-XXXXHP	32768 (32638)	1024	
	M38039MCH-XXXXHP	49152 (49022)	2048	
	M38039MFH-XXXXHP	61440 (61310)	2048	
	M38039FFHHP	61440	2048	Flash memory version
	M38039FFHP	61440	2048	Flash memory version (Vcc = 4.0 – 5.5 V)
PLQP0064GA-A (64P6U-A)	M38034M4H-XXXXKP	16384 (16254)	640	Mask ROM version
	M38037M6H-XXXXKP	24576 (24446)	1024	
	M38037M8H-XXXXKP	32768 (32638)	1024	
	M38039MCH-XXXXKP	49152 (49022)	2048	
	M38039MFH-XXXXKP	61440 (61310)	2048	
	M38039FFHKP	61440	2048	Flash memory version

NOTE:

1. Since description, features, and electrical characteristics etc. of M38039FFFP and M38039FFHP are not indicated, refer to "3803/3804 Group Data Sheet".

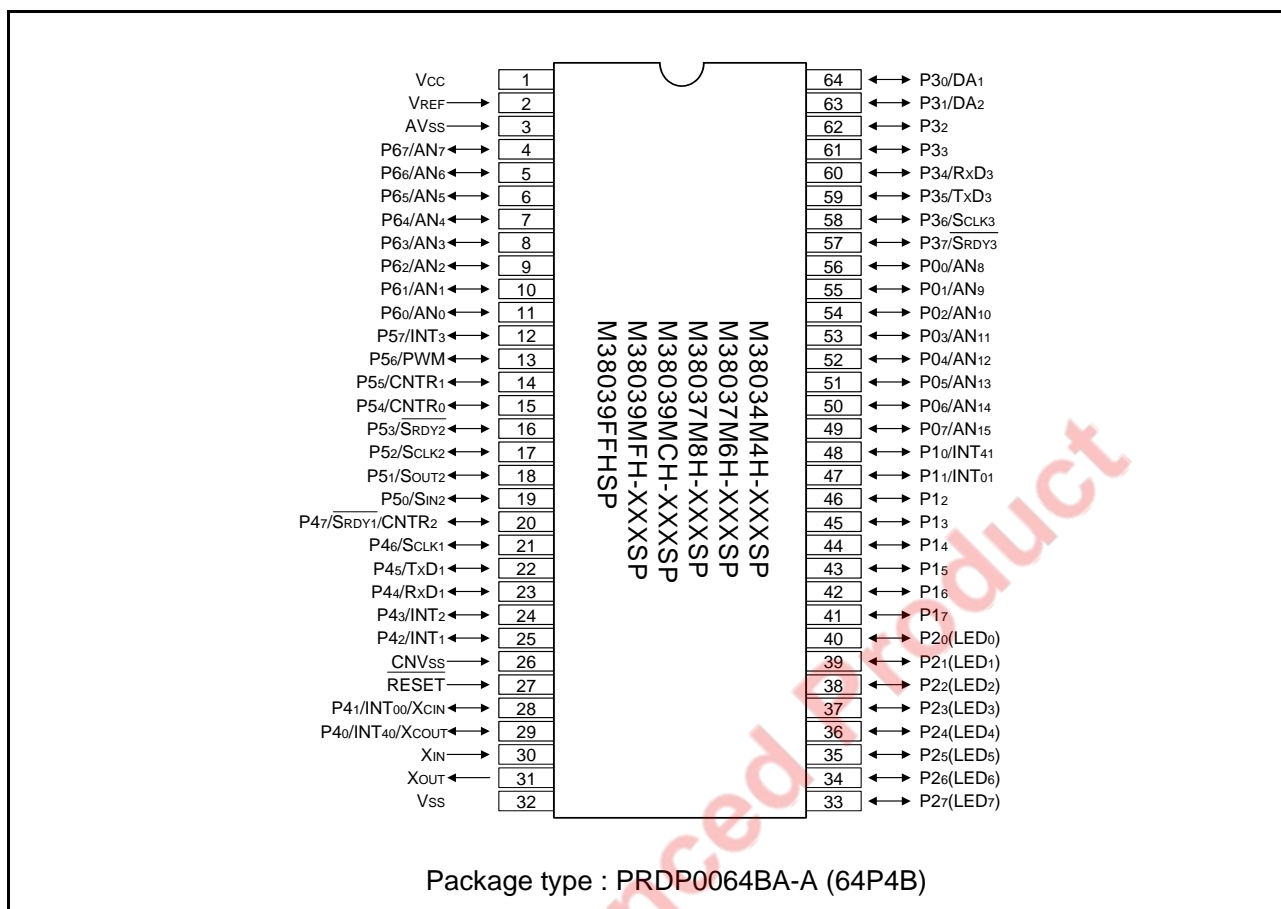


Fig 2. Pin configuration (Top view) (PRDP0064BA-A (64P4B))

Table 4 List of package (Spec.H)

Package	Product name	ROM size (bytes) ROM size for User in ( )	RAM size (bytes)	Remarks
PRDP0064BA-A (64P4B)	M38034M4H-XXXSP	16384 (16254)	640	Mask ROM version
	M38037M6H-XXXSP	24576 (24446)	1024	
	M38037M8H-XXXSP	32768 (32638)	1024	
	M38039MCH-XXXSP	49152 (49022)	2048	
	M38039MFH-XXXSP	61440 (61310)	2048	
	M38039FFHSP	61440	2048	Flash memory version
	M38039FFSP	61440	2048	Flash memory version (Vcc = 4.0 - 5.5 V)

NOTE:

1. Since description, features, and electrical characteristics etc. of M38039FFSP are not indicated, refer to "3803/3804 Group Data Sheet".



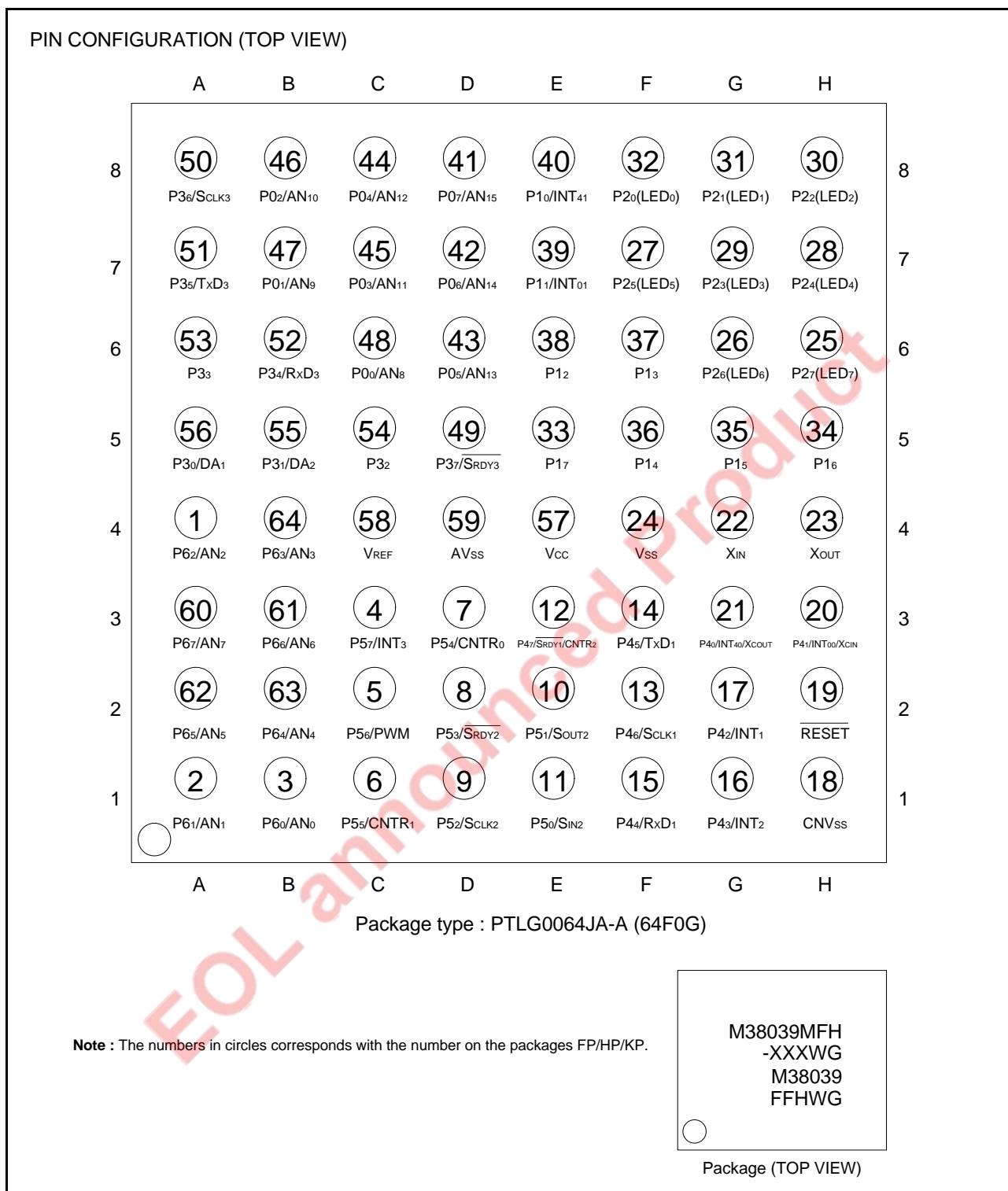


Fig 3. Pin configuration (Top view) (PTLG0064JA-A (64F0G))

Table 5 List of package (PTLG0064JA-A (64F0G))

Package	Product name	ROM size (bytes) ROM size for User in ( )	RAM size (bytes)	Remarks
PTLG0064JA-A	M38039MFH-XXXWG	61440 (61310)	2048	Mask ROM version
	M38039FFHWG	61440	2048	Flash memory version

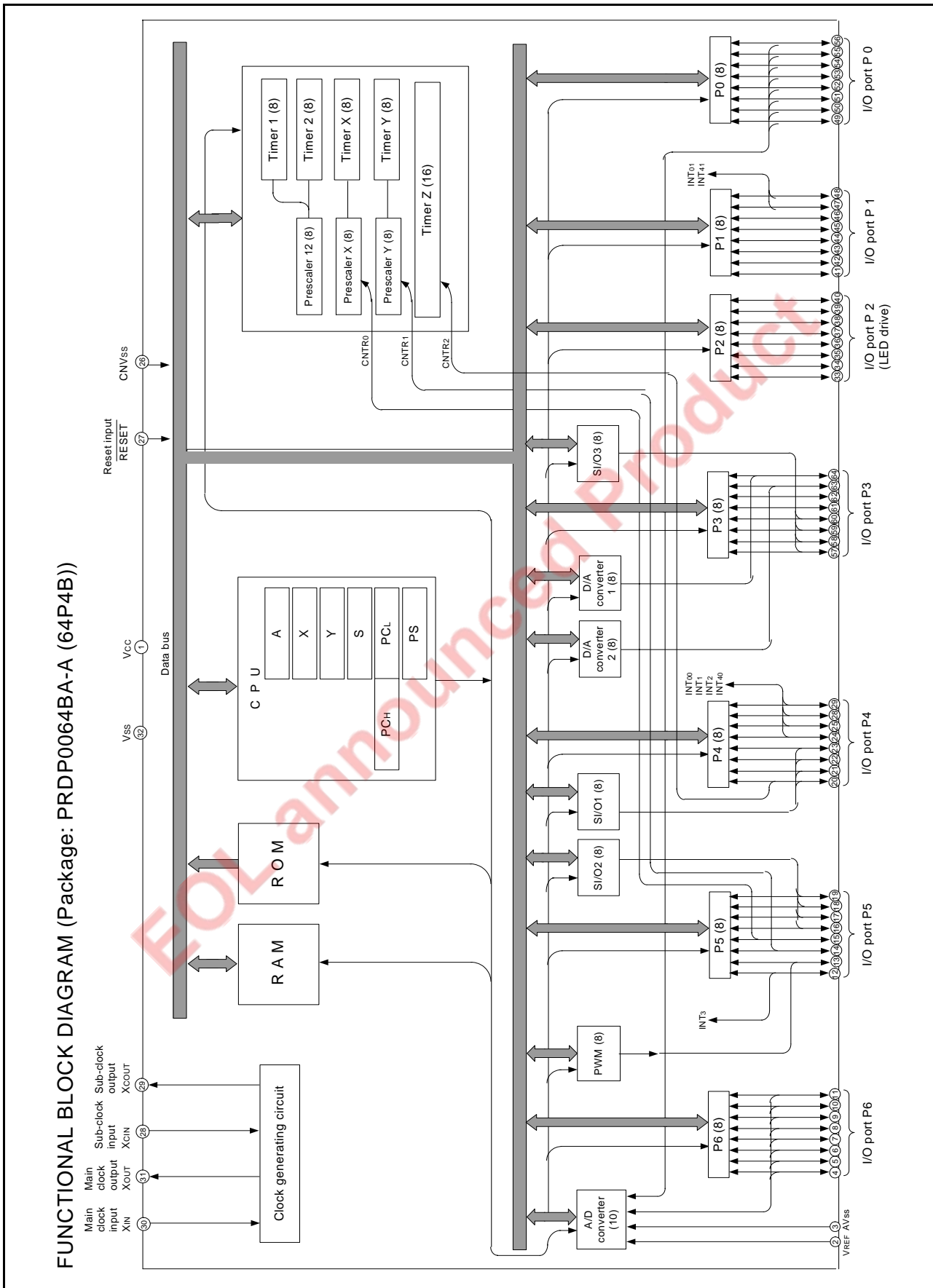


Fig 4. Functional block diagram



## PIN DESCRIPTION

Table 6 Pin description

Pin	Name	Functions	
			Function except a port function
Vcc, Vss	Power source	<ul style="list-style-type: none"> <li>Apply voltage of 1.8 V – 5.5 V to Vcc, and 0 V to Vss. In the flash memory version, apply voltage of 2.7 V – 5.5 V to Vcc.</li> </ul>	
CNVss	CNVss input	<ul style="list-style-type: none"> <li>This pin controls the operation mode of the chip.</li> <li>Normally connected to Vss.</li> </ul>	
VREF	Reference voltage	<ul style="list-style-type: none"> <li>Reference voltage input pin for A/D and D/A converters.</li> </ul>	
AVss	Analog power source	<ul style="list-style-type: none"> <li>Analog power source input pin for A/D and D/A converters.</li> <li>Connect to Vss.</li> </ul>	
RESET	Reset input	<ul style="list-style-type: none"> <li>Reset input pin for active “L”.</li> </ul>	
XIN	Main clock input	<ul style="list-style-type: none"> <li>Input and output pins for the clock generating circuit.</li> <li>Connect a ceramic resonator or quartz-crystal oscillator between the XIN and XOUT pins to set the oscillation frequency.</li> <li>When an external clock is used, connect the clock source to the XIN pin and leave the XOUT pin open.</li> </ul>	
XOUT	Main clock output		
P00/AN8– P07/AN15	I/O port P0	<ul style="list-style-type: none"> <li>8-bit CMOS I/O port.</li> <li>I/O direction register allows each pin to be individually programmed as either input or output.</li> <li>CMOS compatible input level.</li> <li>CMOS 3-state output structure.</li> <li>Pull-up control is enabled in a bit unit.</li> </ul>	<ul style="list-style-type: none"> <li>A/D converter input pin</li> </ul>
P10/INT41 P11/INT01	I/O port P1		<ul style="list-style-type: none"> <li>Interrupt input pin</li> </ul>
P12–P17			
P20–P27	I/O port P2	<ul style="list-style-type: none"> <li>P20 – P27 (8 bits) are enabled to output large current for LED drive.</li> </ul>	
P30/DA1 P31/DA2	I/O port P3	<ul style="list-style-type: none"> <li>8-bit CMOS I/O port.</li> <li>I/O direction register allows each pin to be individually programmed as either input or output.</li> <li>CMOS compatible input level.</li> <li>P30, P31, P34 – P37 are CMOS 3-state output structure.</li> <li>P32, P33 are N-channel open-drain output structure.</li> <li>Pull-up control of P30, P31, P34 – P37 is enabled in a bit unit.</li> </ul>	<ul style="list-style-type: none"> <li>D/A converter input pin</li> </ul>
P32, P33			
P34/RxD3 P35/TxD3 P36/SCLK3 P37/SRDY3			<ul style="list-style-type: none"> <li>Serial I/O3 function pin</li> </ul>
P40/INT40/XCOUT P41/INT00/XCIN	I/O port P4	<ul style="list-style-type: none"> <li>8-bit CMOS I/O port.</li> <li>I/O direction register allows each pin to be individually programmed as either input or output.</li> <li>CMOS compatible input level.</li> <li>CMOS 3-state output structure.</li> <li>Pull-up control is enabled in a bit unit.</li> </ul>	<ul style="list-style-type: none"> <li>Interrupt input pin</li> <li>Sub-clock generating I/O pin (resonator connected)</li> </ul>
P42/INT1 P43/INT2			<ul style="list-style-type: none"> <li>Interrupt input pin</li> </ul>
P44/RxD1 P45/TxD1 P46/SCLK1			<ul style="list-style-type: none"> <li>Serial I/O1 function pin</li> </ul>
P47/SRDY1/CNTR2			<ul style="list-style-type: none"> <li>Serial I/O1, timer Z function pin</li> </ul>
P50/SIN2 P51/SOUT2 P52/SCLK2 P53/SRDY2			
P54/CNTR0	I/O port P5		<ul style="list-style-type: none"> <li>Serial I/O2 function pin</li> </ul>
P55/CNTR1			<ul style="list-style-type: none"> <li>Timer X function pin</li> </ul>
P56/PWM			<ul style="list-style-type: none"> <li>Timer Y function pin</li> </ul>
P57/INT3			<ul style="list-style-type: none"> <li>PWM output pin</li> </ul>
P60/AN0– P67/AN7			I/O port P6

**PART NUMBERING**

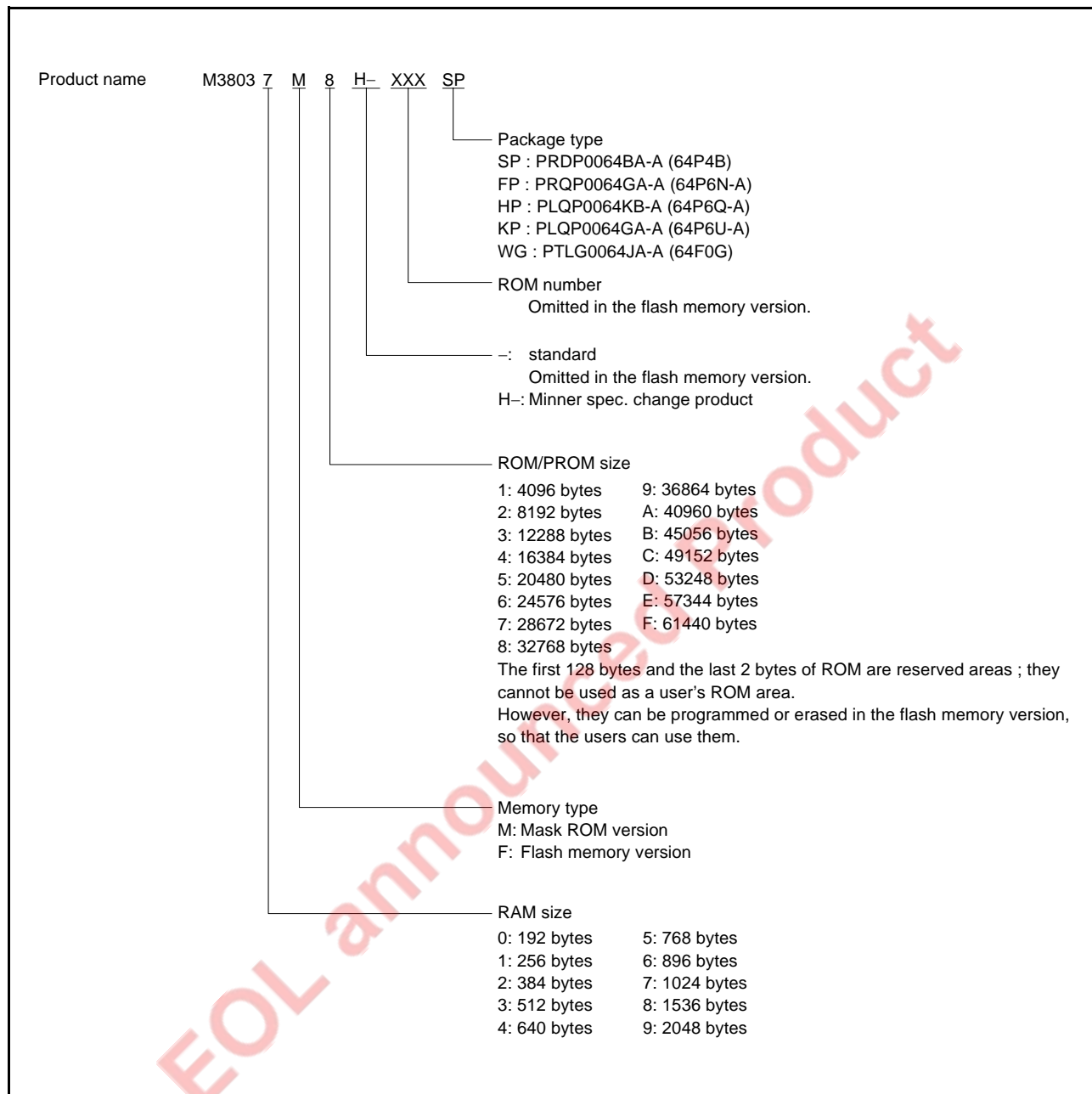


Fig 5. Part numbering

**GROUP EXPANSION**

Renesas plans to expand the 3803 group (Spec.H) as follows.

**Memory Size**

- Flash memory size .....60 K bytes
- Mask ROM size .....16 K to 60 K bytes
- RAM size ..... 640 to 2048 bytes

**Packages**

- PRDP0064BA-A (64P4B)  
.....64-pin shrink plastic-molded DIP
- PRQP0064GA-A (64P6N-A)  
.....0.8 mm-pitch plastic molded QFP
- PLQP0064KB-A (64P6Q-A)  
.....0.5 mm-pitch plastic molded LQFP
- PLQP0064GA-A (64P6U-A)  
.....0.8 mm-pitch plastic molded LQFP
- PTLG0064JA-A (64F0G)  
.....0.65 mm-pitch plastic molded FLGA

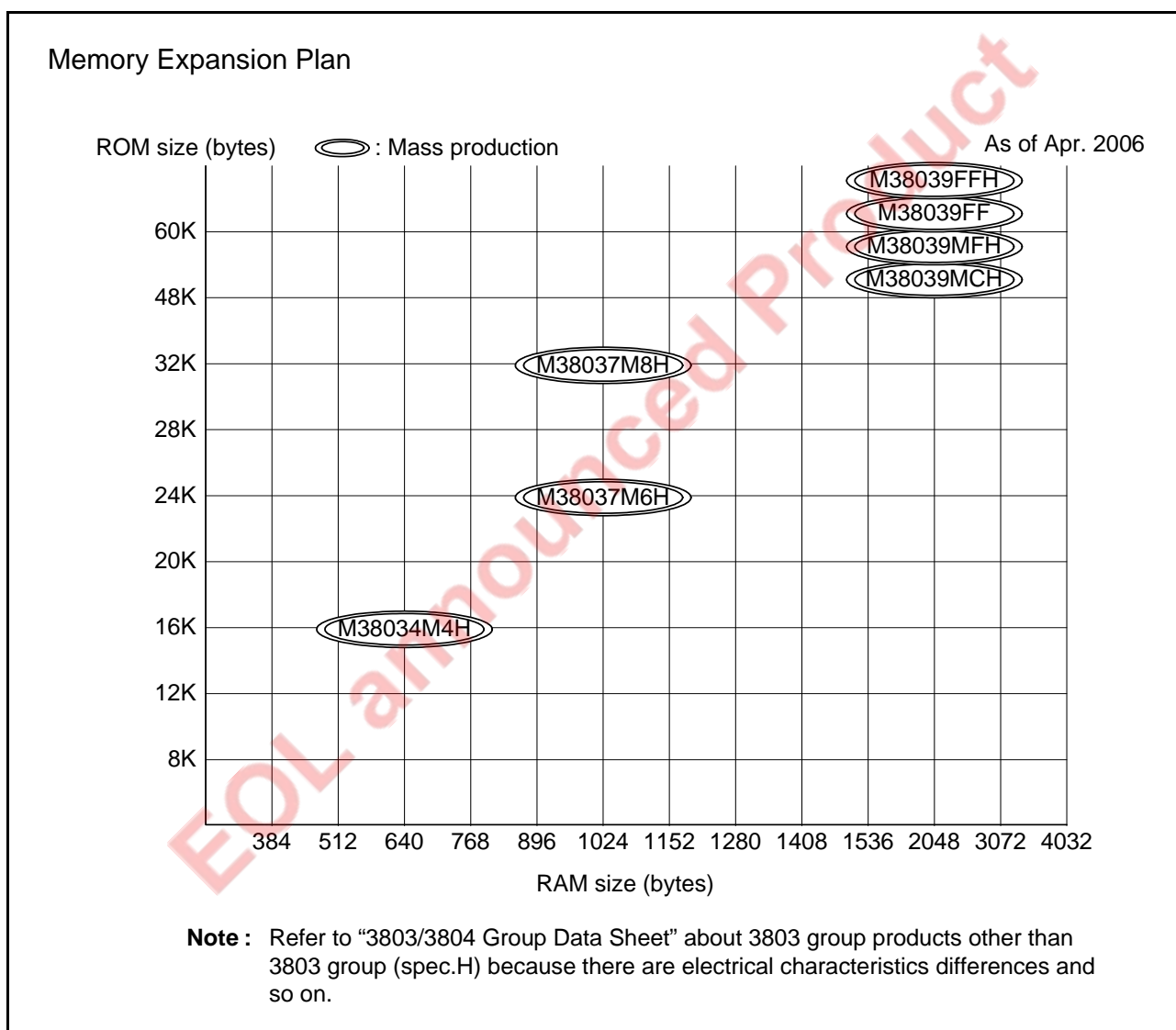


Fig 6. Memory expansion plan

**FUNCTIONAL DESCRIPTION****CENTRAL PROCESSING UNIT (CPU)**

The 3803 group (Spec.H) uses the standard 740 Family instruction set. Refer to the table of 740 Family addressing modes and machine instructions or the 740 Family Software Manual for details on the instruction set.

Machine-resident 740 Family instructions are as follows:

- The FST and SLW instructions cannot be used.
- The STP, WIT, MUL, and DIV instructions can be used.

**[Accumulator (A)]**

The accumulator is an 8-bit register. Data operations such as data transfer, etc. are executed mainly through the accumulator.

**[Index Register X (X)]**

The index register X is an 8-bit register. In the index addressing modes, the value of the OPERAND is added to the contents of register X and specifies the real address.

**[Index Register Y (Y)]**

The index register Y is an 8-bit register. In partial instruction, the value of the OPERAND is added to the contents of register Y and specifies the real address.

**[Stack Pointer (S)]**

The stack pointer is an 8-bit register used during subroutine calls and interrupts. This register indicates start address of stored area (stack) for storing registers during subroutine calls and interrupts.

The low-order 8 bits of the stack address are determined by the contents of the stack pointer. The high-order 8 bits of the stack address are determined by the stack page selection bit. If the stack page selection bit is "0", the high-order 8 bits becomes "0016". If the stack page selection bit is "1", the high-order 8 bits becomes "0116".

The operations of pushing register contents onto the stack and popping them from the stack are shown in Figure.8.

Store registers other than those described in Figure.7 with program when the user needs them during interrupts or subroutine calls (see Table 7).

**[Program Counter (PC)]**

The program counter is a 16-bit counter consisting of two 8-bit registers PCH and PCL. It is used to indicate the address of the next instruction to be executed.

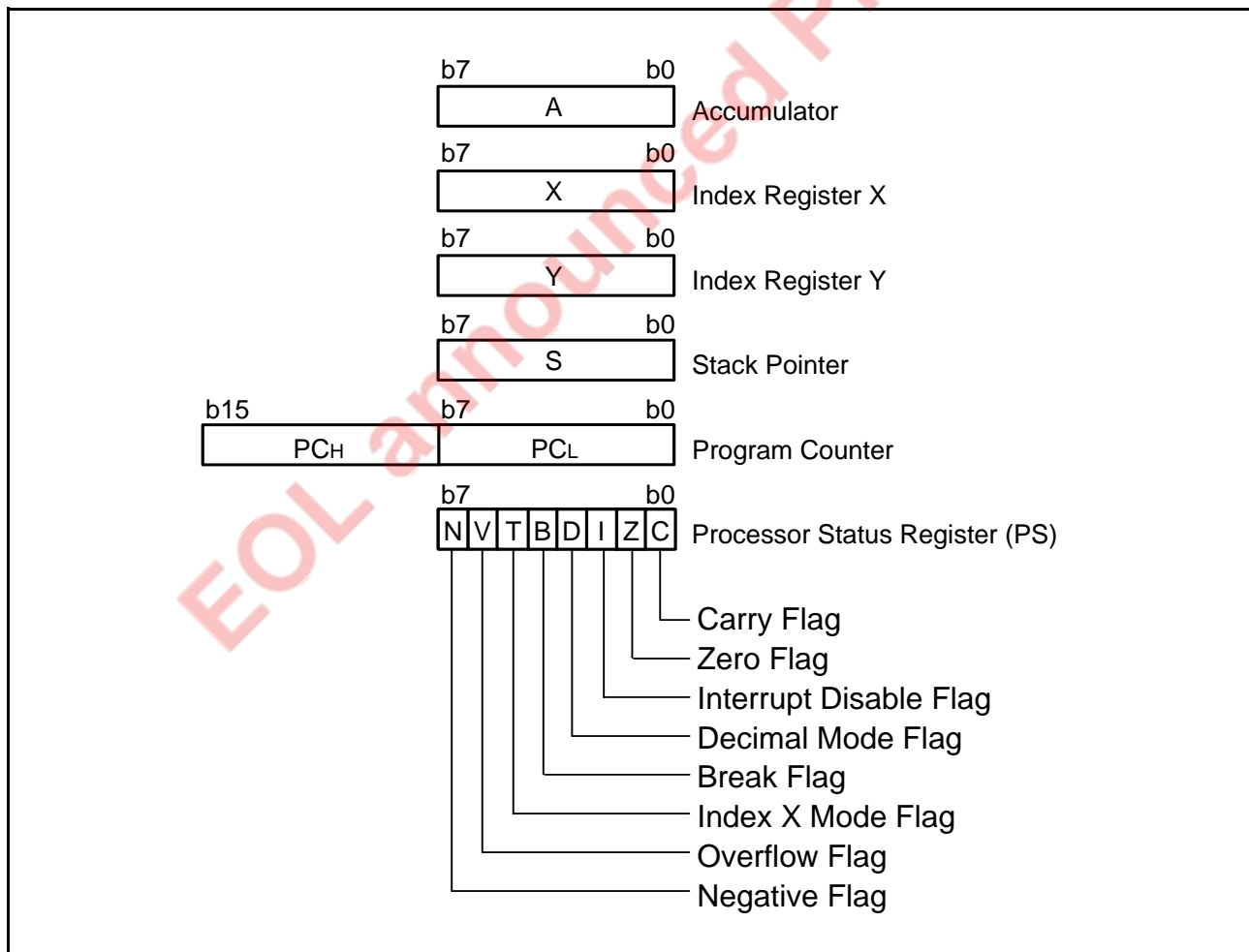


Fig 7. 740 Family CPU register structure

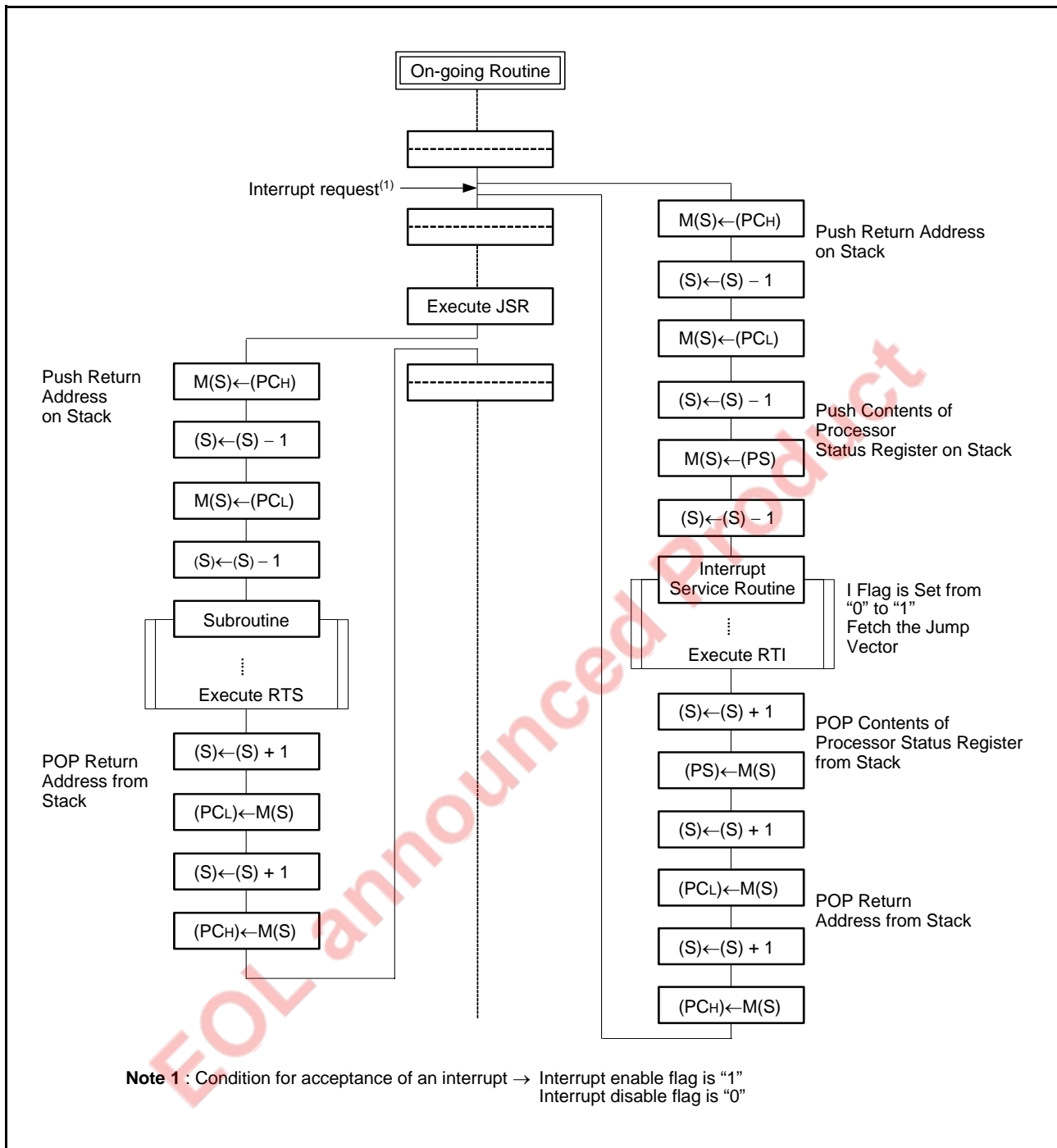


Fig 8. Register push and pop at interrupt generation and subroutine call

Table 7 Push and pop instructions of accumulator or processor status register

	Push instruction to stack	Pop instruction from stack
Accumulator	PHA	PLA
Processor status register	PHP	PLP

**[Processor status register (PS)]**

The processor status register is an 8-bit register consisting of 5 flags which indicate the status of the processor after an arithmetic operation and 3 flags which decide MCU operation. Branch operations can be performed by testing the Carry (C) flag, Zero (Z) flag, Overflow (V) flag, or the Negative (N) flag. In decimal mode, the Z, V, N flags are not valid.

**Bit 0: Carry flag (C)**

The C flag contains a carry or borrow generated by the arithmetic logic unit (ALU) immediately after an arithmetic operation. It can also be changed by a shift or rotate instruction.

**Bit 1: Zero flag (Z)**

The Z flag is set if the result of an immediate arithmetic operation or a data transfer is "0", and cleared if the result is anything other than "0".

**Bit 2: Interrupt disable flag (I)**

The I flag disables all interrupts except for the interrupt generated by the BRK instruction. Interrupts are disabled when the I flag is "1".

**Bit 3: Decimal mode flag (D)**

The D flag determines whether additions and subtractions are executed in binary or decimal. Binary arithmetic is executed when this flag is "0"; decimal arithmetic is executed when it is "1".

Decimal correction is automatic in decimal mode. Only the ADC and SBC instructions can execute decimal arithmetic.

**Bit 4: Break flag (B)**

The B flag is used to indicate that the current interrupt was generated by the BRK instruction. The BRK flag in the processor status register is always "0". When the BRK instruction is used to generate an interrupt, the processor status register is pushed onto the stack with the break flag set to "1".

**Bit 5: Index X mode flag (T)**

When the T flag is "0", arithmetic operations are performed between accumulator and memory. When the T flag is "1", direct arithmetic operations and direct data transfers are enabled between memory locations.

**Bit 6: Overflow flag (V)**

The V flag is used during the addition or subtraction of one byte of signed data. It is set if the result exceeds +127 to -128. When the BIT instruction is executed, bit 6 of the memory location operated on by the BIT instruction is stored in the overflow flag.

**Bit 7: Negative flag (N)**

The N flag is set if the result of an arithmetic operation or data transfer is negative. When the BIT instruction is executed, bit 7 of the memory location operated on by the BIT instruction is stored in the negative flag.

Table 8 Set and clear instructions of each bit of processor status register

	C flag	Z flag	I flag	D flag	B flag	T flag	V flag	N flag
Set instruction	SEC	-	SEI	SED	-	SET	-	-
Clear instruction	CLC	-	CLI	CLD	-	CLT	CLV	-

**[CPU Mode Register (CPUM)] 003B<sub>16</sub>**

The CPU mode register contains the stack page selection bit, the internal system clock control bits, etc.  
 The CPU mode register is allocated at address 003B<sub>16</sub>.

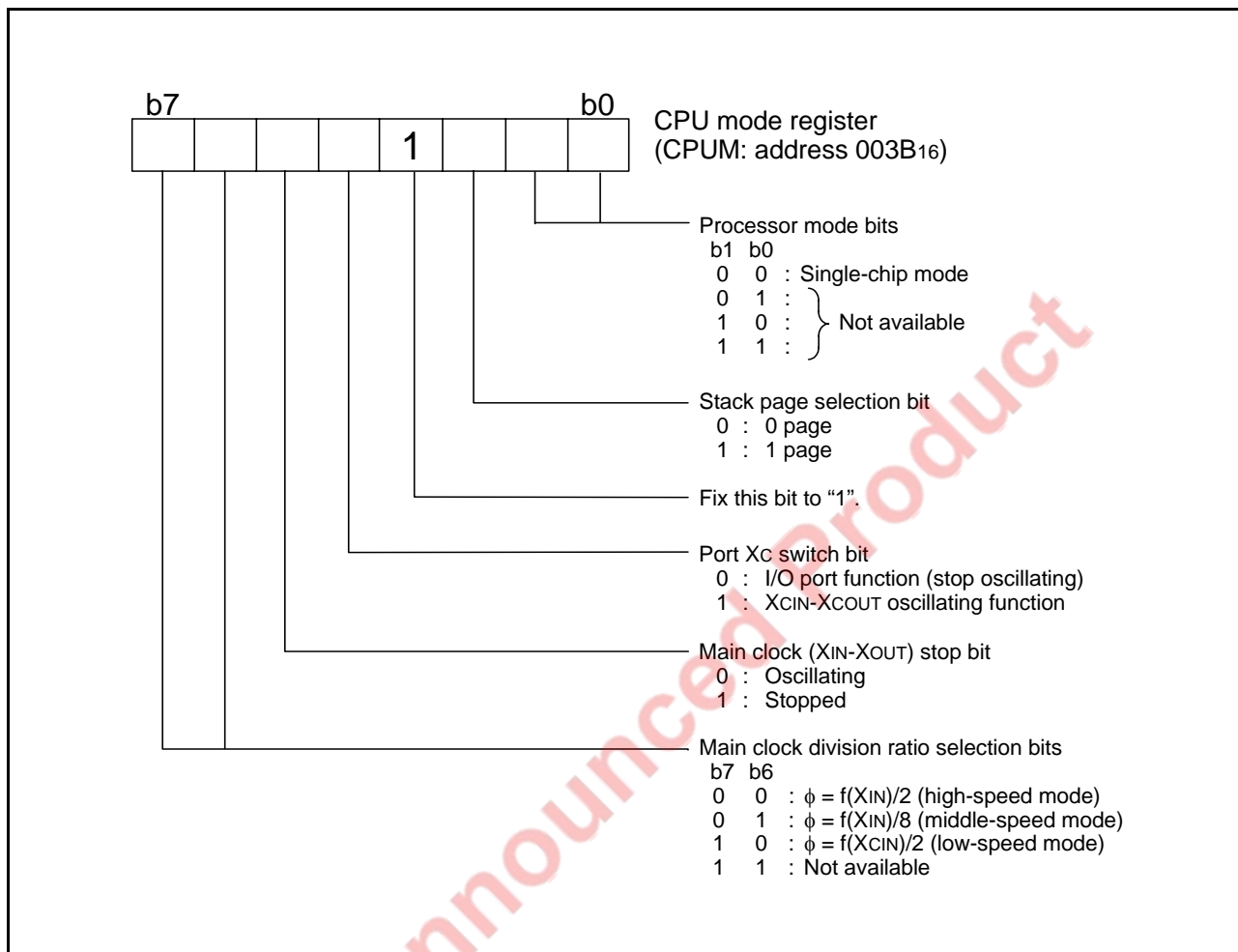


Fig 9. Structure of CPU mode register



**MISRG****(1) Bit 0 of address 0010<sub>16</sub>: Oscillation stabilizing time set after STP instruction released bit**

When the MCU stops the clock oscillation by the STP instruction and the STP instruction has been released by an external interrupt source, usually, the fixed values of Timer 1 and Prescaler 12 (Timer 1 = 01<sub>16</sub>, Prescaler 12 = FF<sub>16</sub>) are automatically reloaded in order for the oscillation to stabilize. The user can inhibit the automatic setting by setting "1" to bit 0 of MISRG (address 0010<sub>16</sub>).

However, by setting this bit to "1", the previous values, set just before the STP instruction was executed, will remain in Timer 1 and Prescaler 12. Therefore, you will need to set an appropriate value to each register, in accordance with the oscillation stabilizing time, before executing the STP instruction.

Figure.10 shows the structure of MISRG.

**(2) Bits 1, 2, 3 of address 0010<sub>16</sub>: Middle-speed Mode Automatic Switch Function**

In order to switch the clock mode of an MCU which has a sub-clock, the following procedure is necessary:

set CPU mode register (003B<sub>16</sub>) --> start main clock oscillation  
--> wait for oscillation stabilization --> switch to middle-speed mode (or high-speed mode).

However, the 3803 group (Spec.H) has the built-in function which automatically switches from low to middle-speed mode by program.

**• Middle-speed mode automatic switch by program**

The middle-speed mode can also be automatically switched by program while operating in low-speed mode. By setting the middle-speed automatic switch start bit (bit 3) of MISRG (address 0010<sub>16</sub>) to "1" in the condition that the middle-speed mode automatic switch set bit is "1" while operating in low-speed mode, the MCU will automatically switch to middle-speed mode. In this case, the oscillation stabilizing time of the main clock can be selected by the middle-speed automatic switch wait time set bit (bit 2) of MISRG (address 0010<sub>16</sub>).

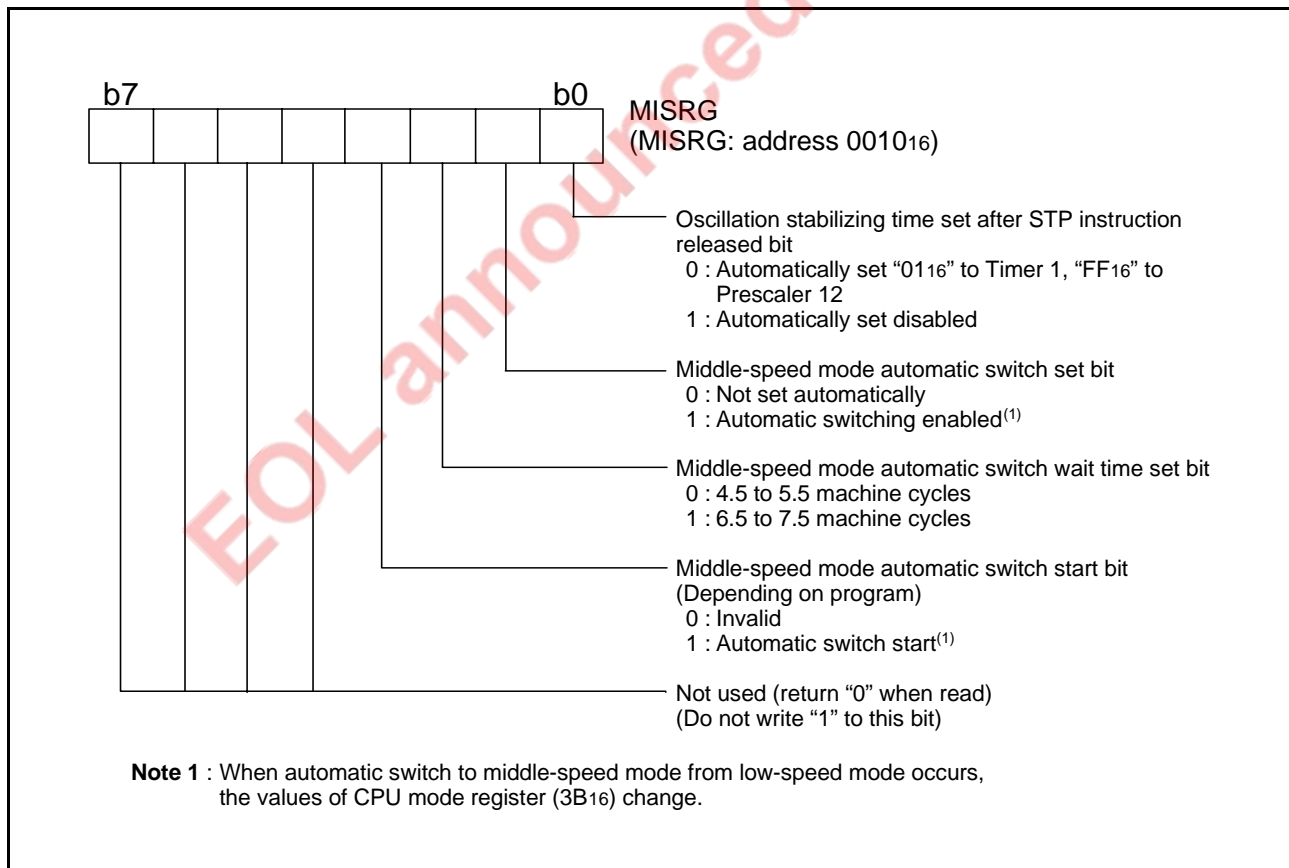


Fig 10. Structure of MISRG

**MEMORY**

• **Special Function Register (SFR) Area**

The Special Function Register area in the zero page contains control registers such as I/O ports and timers.

• **RAM**

The RAM is used for data storage and for stack area of subroutine calls and interrupts.

• **ROM**

The first 128 bytes and the last 2 bytes of ROM are reserved for device testing and the rest is a user area for storing programs. The reserved ROM area can program/erase in the flash memory version.

• **Interrupt Vector Area**

The interrupt vector area contains reset and interrupt vectors.

• **Zero Page**

Access to this area with only 2 bytes is possible in the zero page addressing mode.

• **Special Page**

Access to this area with only 2 bytes is possible in the special page addressing mode.

**<Note>**

Since the contents of RAM are undefined at reset, be sure to set an initial value before use.

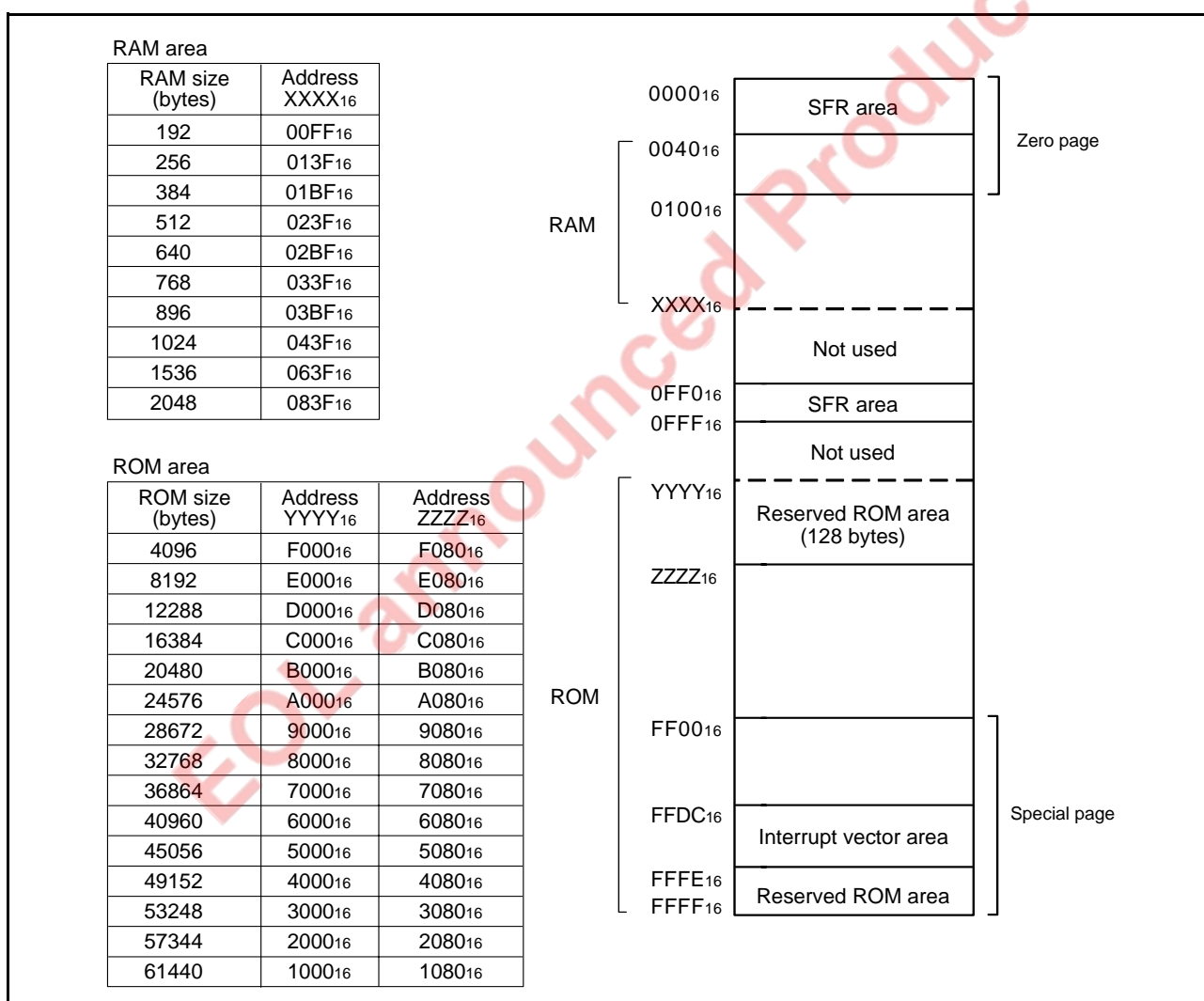


Fig 11. Memory map diagram

0000 <sub>16</sub>	Port P0 (P0)	0020 <sub>16</sub>	Prescaler 12 (PRE12)
0001 <sub>16</sub>	Port P0 direction register (P0D)	0021 <sub>16</sub>	Timer 1 (T1)
0002 <sub>16</sub>	Port P1 (P1)	0022 <sub>16</sub>	Timer 2 (T2)
0003 <sub>16</sub>	Port P1 direction register (P1D)	0023 <sub>16</sub>	Timer XY mode register (TM)
0004 <sub>16</sub>	Port P2 (P2)	0024 <sub>16</sub>	Prescaler X (PREX)
0005 <sub>16</sub>	Port P2 direction register (P2D)	0025 <sub>16</sub>	Timer X (TX)
0006 <sub>16</sub>	Port P3 (P3)	0026 <sub>16</sub>	Prescaler Y (PREY)
0007 <sub>16</sub>	Port P3 direction register (P3D)	0027 <sub>16</sub>	Timer Y (TY)
0008 <sub>16</sub>	Port P4 (P4)	0028 <sub>16</sub>	Timer Z low-order (TZL)
0009 <sub>16</sub>	Port P4 direction register (P4D)	0029 <sub>16</sub>	Timer Z high-order (TZH)
000A <sub>16</sub>	Port P5 (P5)	002A <sub>16</sub>	Timer Z mode register (TZM)
000B <sub>16</sub>	Port P5 direction register (P5D)	002B <sub>16</sub>	PWM control register (PWMCON)
000C <sub>16</sub>	Port P6 (P6)	002C <sub>16</sub>	PWM prescaler (PREPWM)
000D <sub>16</sub>	Port P6 direction register (P6D)	002D <sub>16</sub>	PWM register (PWM)
000E <sub>16</sub>	Timer 12, X count source selection register (T12XCSS)	002E <sub>16</sub>	
000F <sub>16</sub>	Timer Y, Z count source selection register (TYZCSS)	002F <sub>16</sub>	Baud rate generator 3 (BRG3)
0010 <sub>16</sub>	MISRG	0030 <sub>16</sub>	Transmit/Receive buffer register 3 (TB3/RB3)
0011 <sub>16</sub>	Reserved *	0031 <sub>16</sub>	Serial I/O3 status register (SIO3STS)
0012 <sub>16</sub>	Reserved *	0032 <sub>16</sub>	Serial I/O3 control register (SIO3CON)
0013 <sub>16</sub>	Reserved *	0033 <sub>16</sub>	UART3 control register (UART3CON)
0014 <sub>16</sub>	Reserved *	0034 <sub>16</sub>	AD/DA control register (ADCON)
0015 <sub>16</sub>	Reserved *	0035 <sub>16</sub>	AD conversion register 1 (AD1)
0016 <sub>16</sub>	Reserved *	0036 <sub>16</sub>	DA1 conversion register (DA1)
0017 <sub>16</sub>	Reserved *	0037 <sub>16</sub>	DA2 conversion register (DA2)
0018 <sub>16</sub>	Transmit/Receive buffer register 1 (TB1/RB1)	0038 <sub>16</sub>	AD conversion register 2 (AD2)
0019 <sub>16</sub>	Serial I/O1 status register (SIO1STS)	0039 <sub>16</sub>	Interrupt source selection register (INTSEL)
001A <sub>16</sub>	Serial I/O1 control register (SIO1CON)	003A <sub>16</sub>	Interrupt edge selection register (INTEDGE)
001B <sub>16</sub>	UART1 control register (UART1CON)	003B <sub>16</sub>	CPU mode register (CPUM)
001C <sub>16</sub>	Baud rate generator (BRG1)	003C <sub>16</sub>	Interrupt request register 1 (IREQ1)
001D <sub>16</sub>	Serial I/O2 control register (SIO2CON)	003D <sub>16</sub>	Interrupt request register 2 (IREQ2)
001E <sub>16</sub>	Watchdog timer control register (WDTCON)	003E <sub>16</sub>	Interrupt control register 1 (ICON1)
001F <sub>16</sub>	Serial I/O2 register (SIO2)	003F <sub>16</sub>	Interrupt control register 2 (ICON2)
0FE0 <sub>16</sub>	Flash memory control register 0 (FMCR0)	0FF0 <sub>16</sub>	Port P0 pull-up control register (PULL0)
0FE1 <sub>16</sub>	Flash memory control register 1 (FMCR1)	0FF1 <sub>16</sub>	Port P1 pull-up control register (PULL1)
0FE2 <sub>16</sub>	Flash memory control register 2 (FMCR2)	0FF2 <sub>16</sub>	Port P2 pull-up control register (PULL2)
0FE3 <sub>16</sub>	Reserved *	0FF3 <sub>16</sub>	Port P3 pull-up control register (PULL3)
0FE4 <sub>16</sub>	Reserved *	0FF4 <sub>16</sub>	Port P4 pull-up control register (PULL4)
0FE5 <sub>16</sub>	Reserved *	0FF5 <sub>16</sub>	Port P5 pull-up control register (PULL5)
0FE6 <sub>16</sub>	Reserved *	0FF6 <sub>16</sub>	Port P6 pull-up control register (PULL6)
0FE7 <sub>16</sub>	Reserved *		
0FE8 <sub>16</sub>	Reserved *		
0FE9 <sub>16</sub>	Reserved *		
0FEA <sub>16</sub>	Reserved *		
0FEB <sub>16</sub>	Reserved *		
0FEC <sub>16</sub>	Reserved *		
0FED <sub>16</sub>	Reserved *		
0FEE <sub>16</sub>	Reserved *		
0FEF <sub>16</sub>	Reserved *		

\*Reserved area: Do not write any data to these addresses, because these areas are reserved.

Fig 12. Memory map of special function register (SFR)

**I/O PORTS**

The I/O ports have direction registers which determine the input/output direction of each individual pin. Each bit in a direction register corresponds to one pin, and each pin can be set to be input port or output port.

When “0” is written to the bit corresponding to a pin, that pin becomes an input pin. When “1” is written to that bit, that pin becomes an output pin.

If data is read from a pin which is set to output, the value of the port output latch is read, not the value of the pin itself. Pins set to

input are floating. If a pin set to input is written to, only the port output latch is written to and the pin remains floating. By setting the port P0 pull-up control register (address 0FF016) to the port P6 pull-up control register (address 0FF616) ports can control pull-up with a program. However, the contents of these registers do not affect ports programmed as the output ports.

Table 9 I/O port function

Pin	Name	Input/Output	I/O Structure	Non-Port Function	Related SFRs	Ref. No.	
P00/AN8–P07/AN15	Port P0	Input/output, individual bits	CMOS compatible input level CMOS 3-state output	A/D converter input	AD/DA control register	(1)	
P10/INT41 P11/INT01	Port P1			External interrupt input	Interrupt edge selection register	(2)	
P12–P17						(3)	
P20/LED0–P27/LED7	Port P2						
P30/DA1 P31/DA2	Port P3			D/A converter output	AD/DA control register	(4)	
P32, P33				CMOS compatible input level N-channel open-drain output		(5)	
P34/RxD3 P35/TxD3 P36/SCLK3 P37/SRDY3				CMOS compatible input level CMOS 3-state output	Serial I/O3 function I/O	Serial I/O3 control register UART3 control register	(6) (7) (8) (9)
P40/INT40/XCOUT P41/INT00/XCIN	Port P4			External interrupt input	Interrupt edge selection register	(10)	
				Sub-clock generating circuit	CPU mode register	(11)	
P42/INT1 P43/INT2				External interrupt input	Interrupt edge selection register	(2)	
P44/RxD1 P45/TxD1 P46/SCLK1		Serial I/O1 function I/O	Serial I/O1 control register UART1 control register	(6) (7) (8)			
P47/SRDY1/CNTR2		Serial I/O1 function I/O Timer Z function I/O	Serial I/O1 control register Timer Z mode register	(12)			
P50/SIN2 P51/SOUT2 P52/SCLK2 P53/SRDY2		Port P5	Serial I/O2 function I/O	Serial I/O2 control register	(13) (14) (15) (16)		
P54/CNTR0 P55/CNTR1	Timer X, Y function I/O		Timer XY mode register	(17)			
P56/PWM	PWM output		PWM control register	(18)			
P57/INT3	External interrupt input		Interrupt edge selection register	(2)			
P60/AN0–P67/AN7	Port P6		A/D converter input	AD/DA control register	(1)		

**NOTES:**

1. Refer to the applicable sections how to use double-function ports as function I/O ports.
2. Make sure that the input level at each pin is either 0 V or V<sub>CC</sub> during execution of the STP instruction.  
When an input level is at an intermediate potential, a current will flow from V<sub>CC</sub> to V<sub>SS</sub> through the input-stage gate.

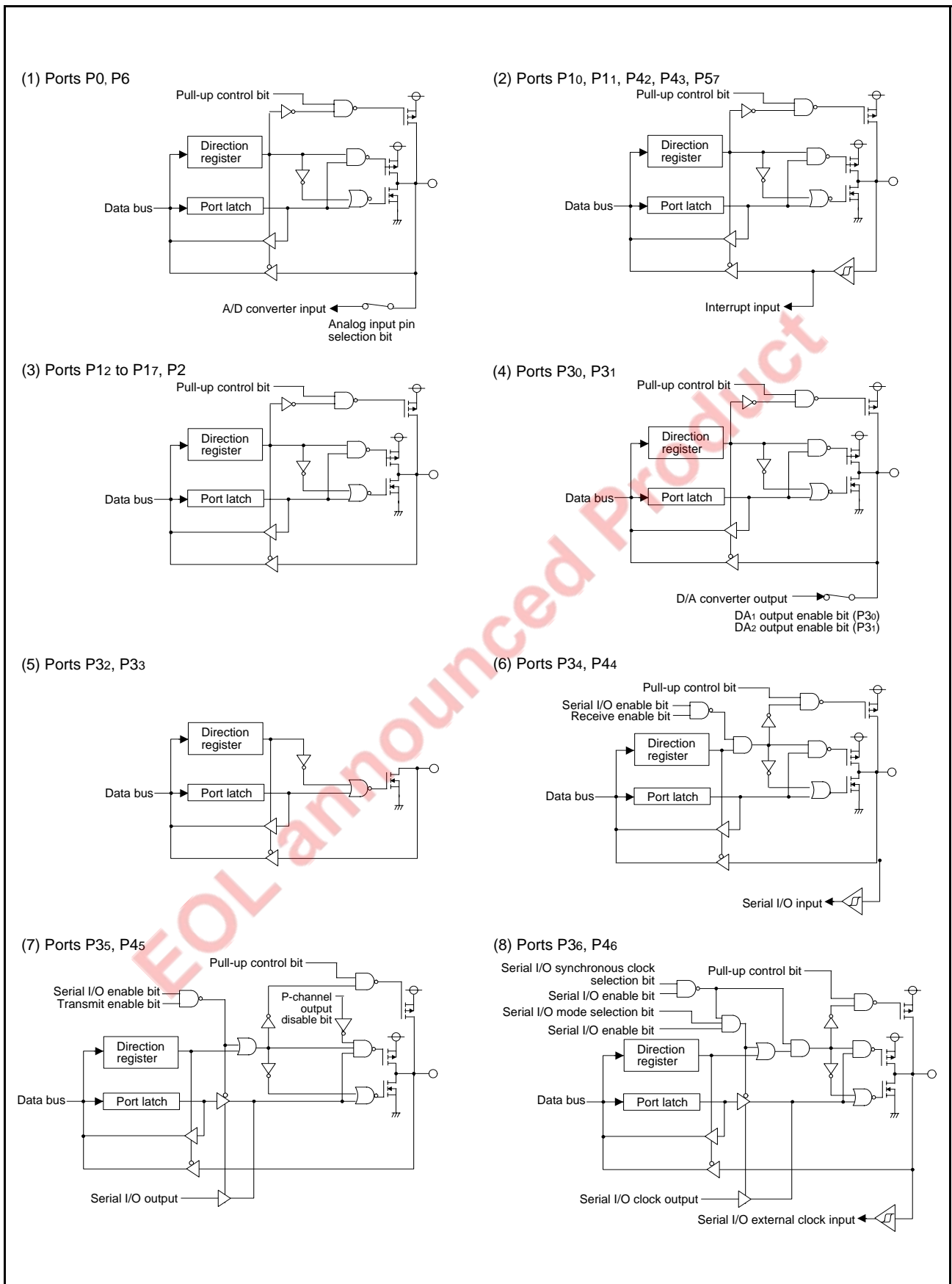


Fig 13. Port block diagram (1)

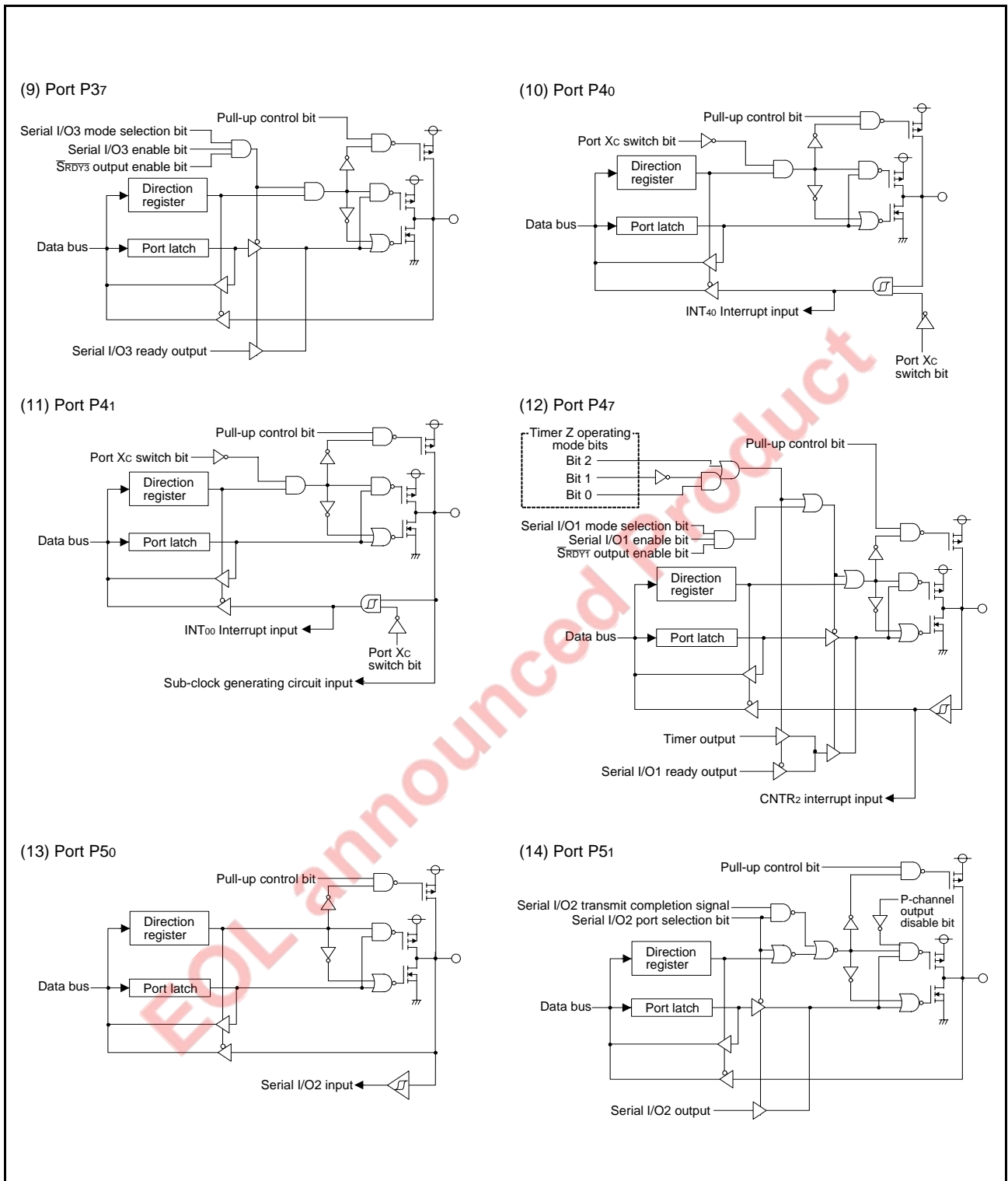


Fig 14. Port block diagram (2)

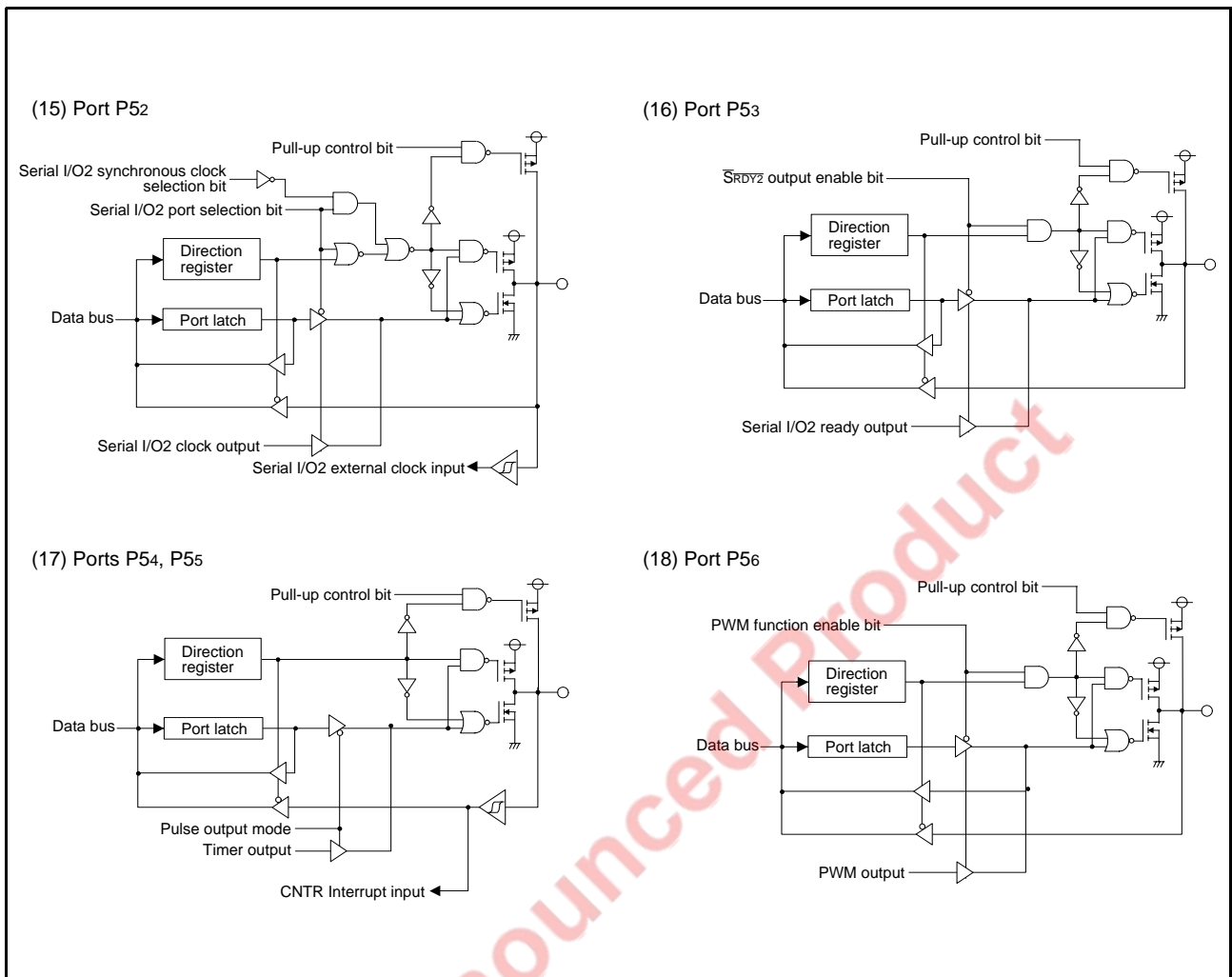


Fig 15. Port block diagram (3)



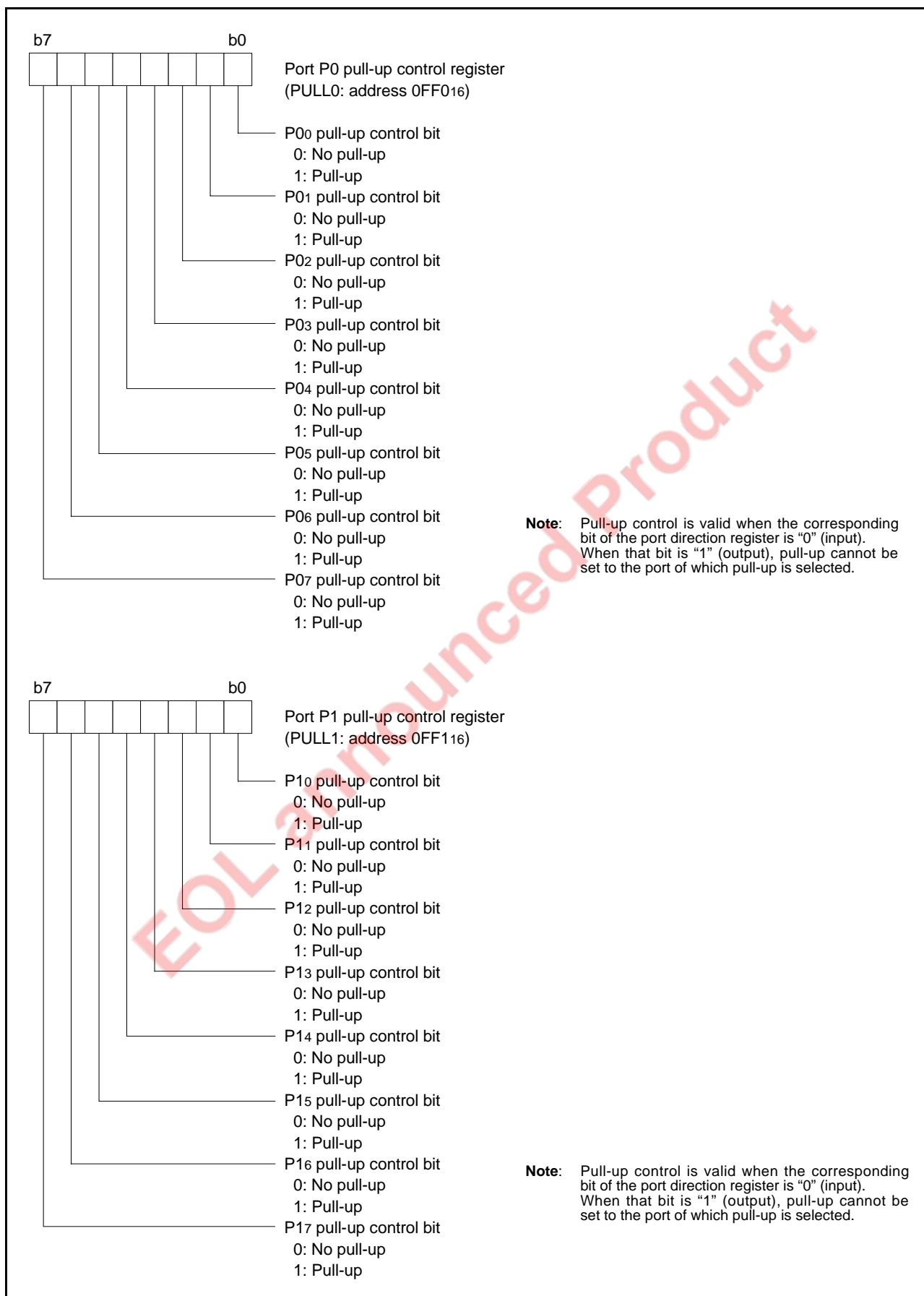


Fig 16. Structure of port pull-up control register (1)

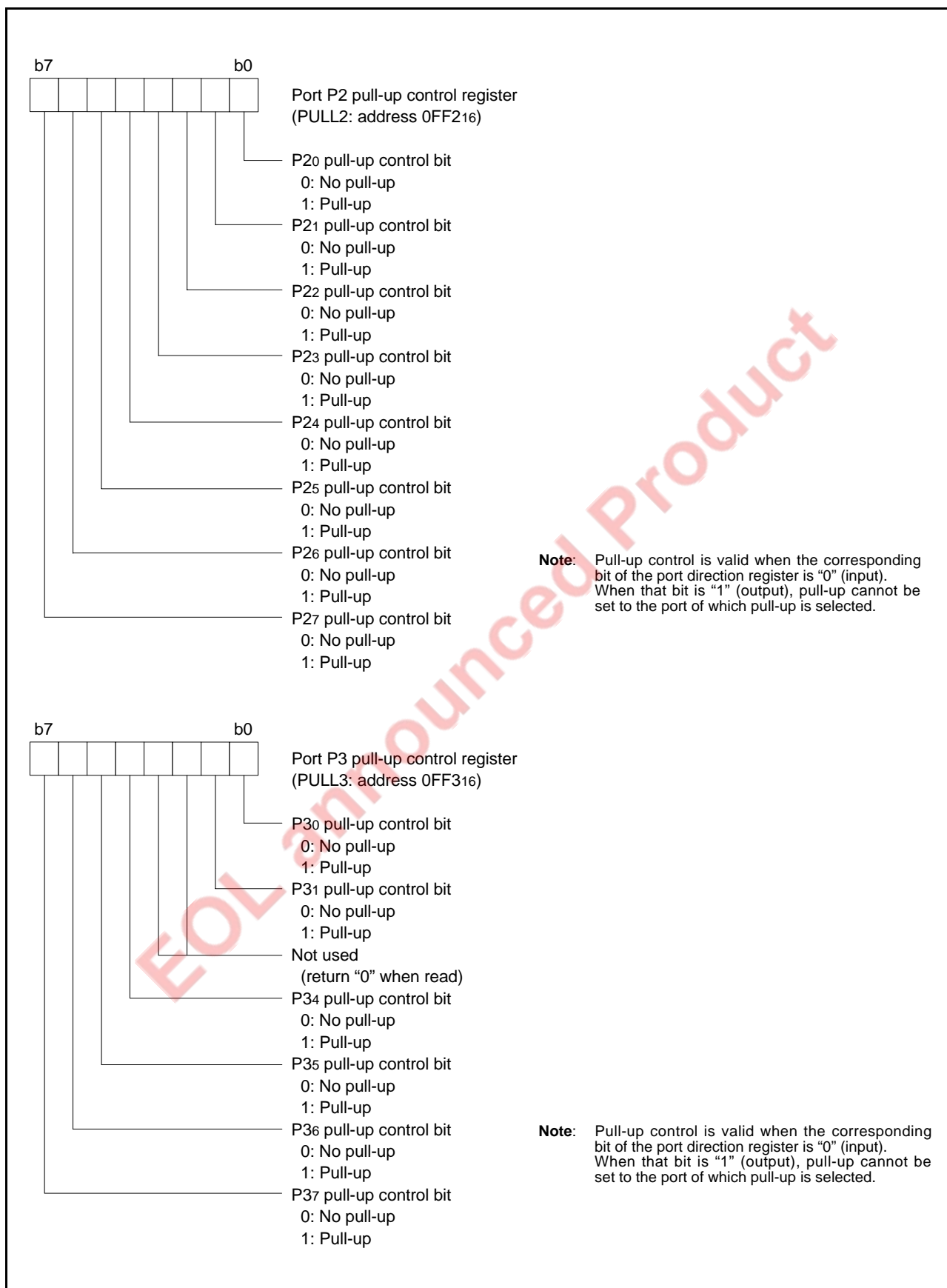


Fig 17. Structure of port pull-up control register (2)

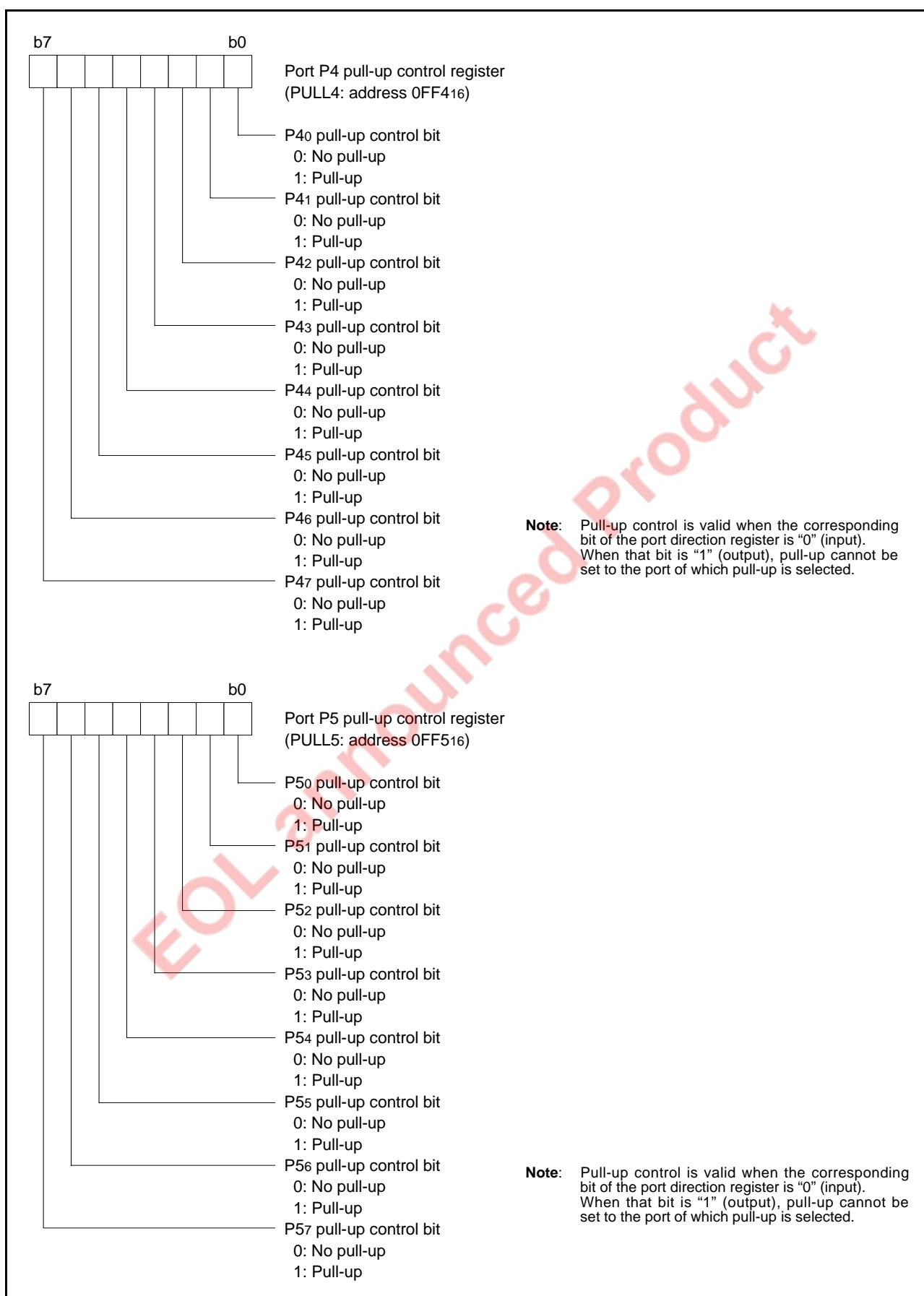


Fig 18. Structure of port pull-up control register (3)

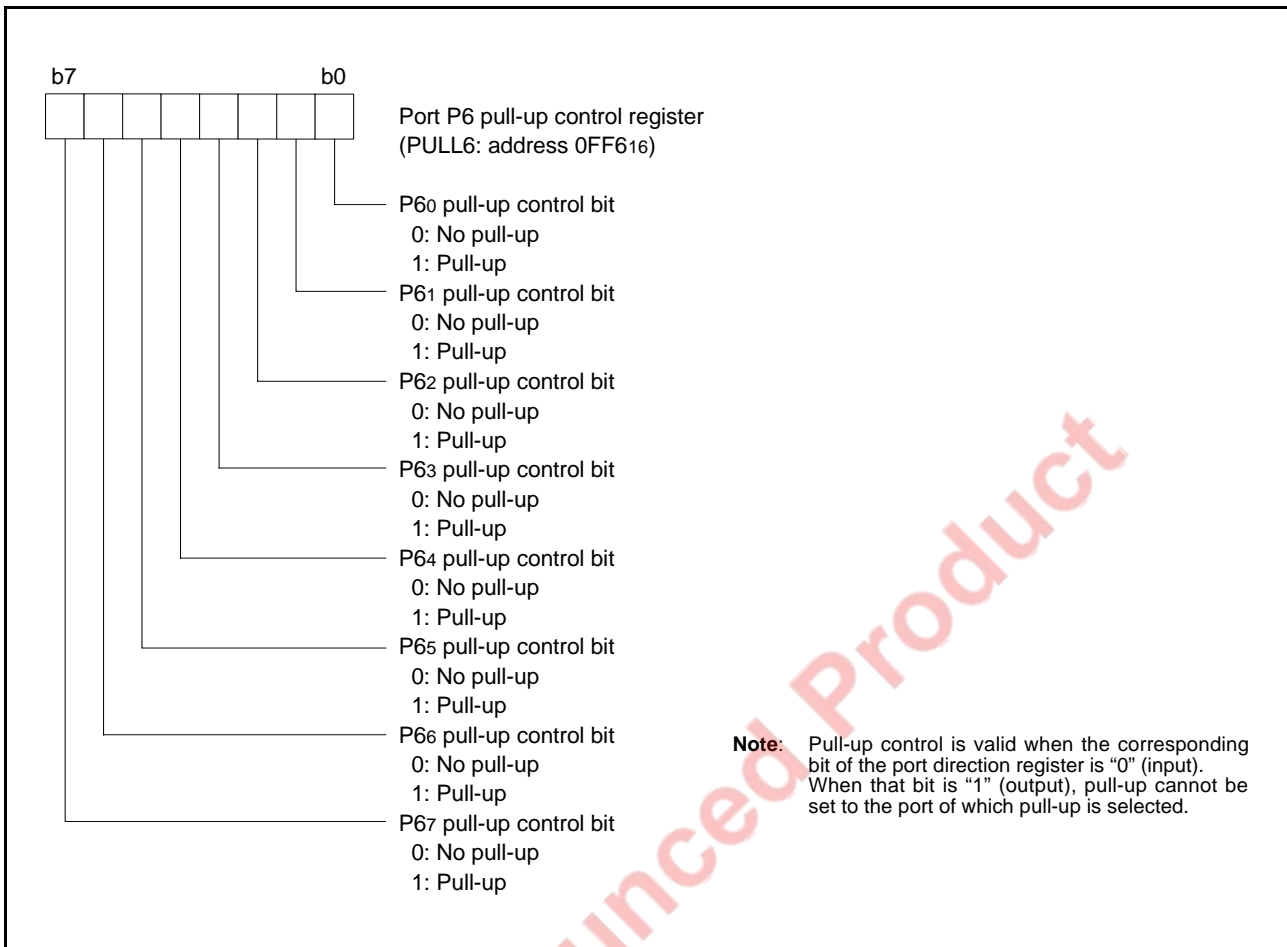


Fig 19. Structure of port pull-up control register (4)

## INTERRUPTS

The 3803 group (Spec.H)'s interrupts are a type of vector and occur by 16 sources among 21 sources: eight external, twelve internal, and one software.

### • Interrupt Control

Each interrupt is controlled by an interrupt request bit, an interrupt enable bit, and the interrupt disable flag except for the software interrupt set by the BRK instruction. An interrupt occurs if the corresponding interrupt request and enable bits are "1" and the interrupt disable flag is "0".

Interrupt enable bits can be set or cleared by software.

Interrupt request bits can be cleared by software, but cannot be set by software.

The reset and the BRK instruction cannot be disabled with any flag or bit. The I (interrupt disable) flag disables all interrupts except the reset and the BRK instruction interrupt.

When several interrupt requests occur at the same time, the interrupts are received according to priority.

### • Interrupt Operation

By acceptance of an interrupt, the following operations are automatically performed:

1. The contents of the program counter and the processor status register are automatically pushed onto the stack.
2. The interrupt disable flag is set and the corresponding interrupt request bit is cleared.
3. The interrupt jump destination address is read from the vector table into the program counter.

### • Interrupt Source Selection

Which of each combination of the following interrupt sources can be selected by the interrupt source selection register (address 0039<sub>16</sub>).

1. INT0 or Timer Z
2. CNTR1 or Serial I/O3 reception
3. Serial I/O2 or Timer Z
4. INT4 or CNTR2
5. A/D converter or serial I/O3 transmission

### • External Interrupt Pin Selection

The occurrence sources of the external interrupt INT0 and INT4 can be selected from either input from INT00 and INT40 pin, or input from INT01 and INT41 pin by the INT0, INT4 interrupt switch bit of interrupt edge selection register (bit 6 of address 003A<sub>16</sub>).

### <Notes>

When setting the followings, the interrupt request bit may be set to "1".

- When setting external interrupt active edge  
Related register: Interrupt edge selection register (address 003A<sub>16</sub>)  
Timer XY mode register (address 0023<sub>16</sub>)  
Timer Z mode register (address 002A<sub>16</sub>)
- When switching interrupt sources of an interrupt vector address where two or more interrupt sources are allocated  
Related register: Interrupt source selection register (address 0039<sub>16</sub>)

When not requiring for the interrupt occurrence synchronized with these setting, take the following sequence.

- (1) Set the corresponding interrupt enable bit to "0" (disabled).
- (2) Set the interrupt edge select bit (the active edge switch bit) or the interrupt source select bit.
- (3) Set the corresponding interrupt request bit to "0" after 1 or more instructions have been executed.
- (4) Set the corresponding interrupt enable bit to "1" (enabled).

Table 10 Interrupt vector addresses and priority

Interrupt Source	Priority	Vector Addresses <sup>(1)</sup>		Interrupt Request Generating Conditions	Remarks
		High	Low		
Reset <sup>(2)</sup>	1	FFFD <sub>16</sub>	FFFC <sub>16</sub>	At reset	Non-maskable
INT <sub>0</sub>	2	FFFB <sub>16</sub>	FFFA <sub>16</sub>	At detection of either rising or falling edge of INT <sub>0</sub> input	External interrupt (active edge selectable)
Timer Z				At timer Z underflow	
INT <sub>1</sub>	3	FFF9 <sub>16</sub>	FFF8 <sub>16</sub>	At detection of either rising or falling edge of INT <sub>1</sub> input	External interrupt (active edge selectable)
Serial I/O1 reception	4	FFF7 <sub>16</sub>	FFF6 <sub>16</sub>	At completion of serial I/O1 data reception	Valid when serial I/O1 is selected
Serial I/O1 transmission	5	FFF5 <sub>16</sub>	FFF4 <sub>16</sub>	At completion of serial I/O1 transmission shift or when transmission buffer is empty	Valid when serial I/O1 is selected
Timer X	6	FFF3 <sub>16</sub>	FFF2 <sub>16</sub>	At timer X underflow	
Timer Y	7	FFF1 <sub>16</sub>	FFF0 <sub>16</sub>	At timer Y underflow	
Timer 1	8	FFEF <sub>16</sub>	FFEE <sub>16</sub>	At timer 1 underflow	STP release timer underflow
Timer 2	9	FFED <sub>16</sub>	FFEC <sub>16</sub>	At timer 2 underflow	
CNTR <sub>0</sub>	10	FFEB <sub>16</sub>	FFEA <sub>16</sub>	At detection of either rising or falling edge of CNTR <sub>0</sub> input	External interrupt (active edge selectable)
CNTR <sub>1</sub>				At detection of either rising or falling edge of CNTR <sub>1</sub> input	
Serial I/O3 reception				At completion of serial I/O3 data reception	Valid when serial I/O3 is selected
Serial I/O2	12	FFE7 <sub>16</sub>	FFE6 <sub>16</sub>	At completion of serial I/O2 data transmission or reception	Valid when serial I/O2 is selected
Timer Z				At timer Z underflow	
INT <sub>2</sub>	13	FFE5 <sub>16</sub>	FFE4 <sub>16</sub>	At detection of either rising or falling edge of INT <sub>2</sub> input	External interrupt (active edge selectable)
INT <sub>3</sub>	14	FFE3 <sub>16</sub>	FFE2 <sub>16</sub>	At detection of either rising or falling edge of INT <sub>3</sub> input	External interrupt (active edge selectable)
INT <sub>4</sub>	15	FFE1 <sub>16</sub>	FFE0 <sub>16</sub>	At detection of either rising or falling edge of INT <sub>4</sub> input	External interrupt (active edge selectable)
CNTR <sub>2</sub>				At detection of either rising or falling edge of CNTR <sub>2</sub> input	
A/D converter	16	FFDF <sub>16</sub>	FFDE <sub>16</sub>	At completion of A/D conversion	
Serial I/O3 transmission				At completion of serial I/O3 transmission shift or when transmission buffer is empty	Valid when serial I/O3 is selected
BRK instruction	17	FFDD <sub>16</sub>	FFDC <sub>16</sub>	At BRK instruction execution	Non-maskable software interrupt

## NOTES:

1. Vector addresses contain interrupt jump destination addresses.
2. Reset function in the same way as an interrupt with the highest priority.

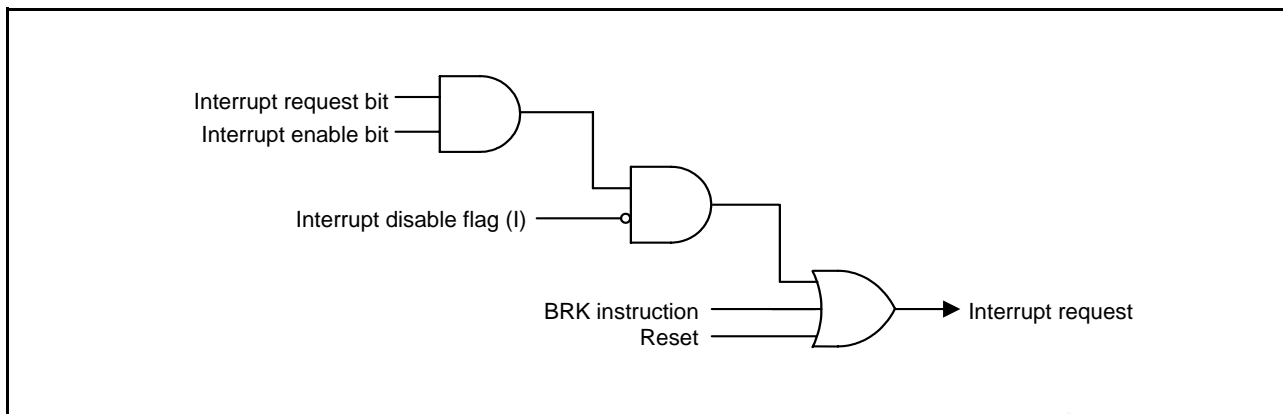


Fig 20. Interrupt control

EOL announced Product



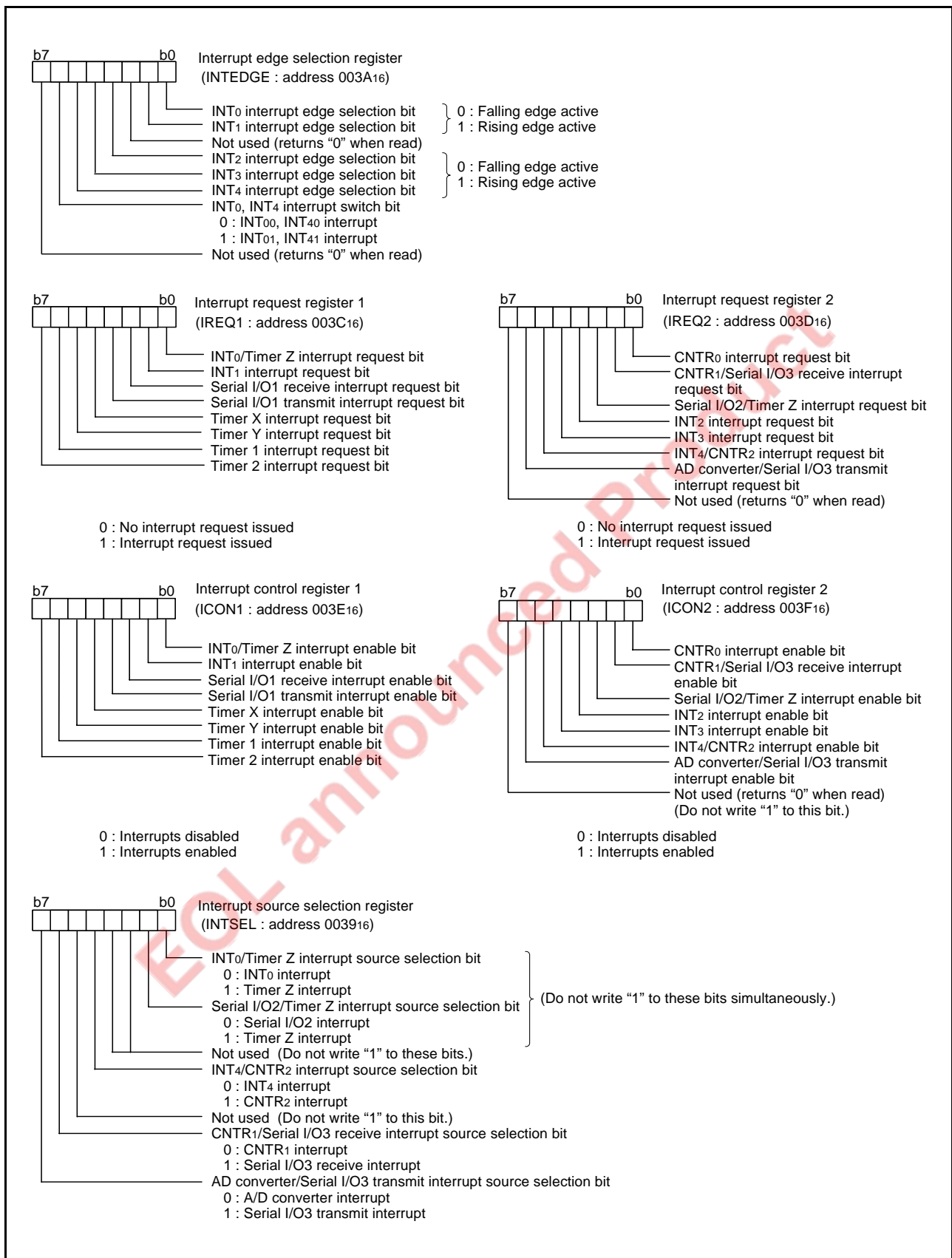


Fig 21. Structure of interrupt-related registers

## TIMERS

### • 8-bit Timers

The 3803 group (Spec.H) has four 8-bit timers: timer 1, timer 2, timer X, and timer Y.

The timer 1 and timer 2 use one prescaler in common, and the timer X and timer Y use each prescaler. Those are 8-bit prescalers. Each of the timers and prescalers has a timer latch or a prescaler latch.

The division ratio of each timer or prescaler is given by  $1/(n + 1)$ , where  $n$  is the value in the corresponding timer or prescaler latch. All timers are down-counters. When the timer reaches "00<sub>16</sub>", an underflow occurs at the next count pulse and the contents of the corresponding timer latch are reloaded into the timer and the count is continued. When the timer underflows, the interrupt request bit corresponding to that timer is set to "1".

#### • Timer divider

The divider count source is switched by the main clock division ratio selection bits of CPU mode register (bits 7 and 6 at address 003B<sub>16</sub>). When these bits are "00" (high-speed mode) or "01" (middle-speed mode), X<sub>IN</sub> is selected. When these bits are "10" (low-speed mode), X<sub>CIN</sub> is selected.

#### • Prescaler 12

The prescaler 12 counts the output of the timer divider. The count source is selected by the timer 12, X count source selection register among 1/2, 1/4, 1/8, 1/16, 1/32, 1/64, 1/128, 1/256, 1/512, 1/1024 of  $f(X_{IN})$  or  $f(X_{CIN})$ .

### • Timer 1 and Timer 2

The timer 1 and timer 2 counts the output of prescaler 12 and periodically set the interrupt request bit.

#### • Prescaler X and prescaler Y

The prescaler X and prescaler Y count the output of the timer divider or  $f(X_{CIN})$ . The count source is selected by the timer 12, X count source selection register (address 000E<sub>16</sub>) and the timer Y, Z count source selection register (address 000F<sub>16</sub>) among 1/2, 1/4, 1/8, 1/16, 1/32, 1/64, 1/128, 1/256, 1/512, and 1/1024 of  $f(X_{IN})$  or  $f(X_{CIN})$ ; and  $f(X_{CIN})$ .

### • Timer X and Timer Y

The timer X and timer Y can each select one of four operating modes by setting the timer XY mode register (address 0023<sub>16</sub>).

#### (1) Timer mode

##### • Mode selection

This mode can be selected by setting "00" to the timer X operating mode bits (bits 1 and 0) and the timer Y operating mode bits (bits 5 and 4) of the timer XY mode register (address 0023<sub>16</sub>).

##### • Explanation of operation

The timer count operation is started by setting "0" to the timer X count stop bit (bit 3) and the timer Y count stop bit (bit 7) of the timer XY mode register (address 0023<sub>16</sub>).

When the timer reaches "00<sub>16</sub>", an underflow occurs at the next count pulse and the contents of timer latch are reloaded into the timer and the count is continued.

#### (2) Pulse Output Mode

##### • Mode selection

This mode can be selected by setting "01" to the timer X operating mode bits (bits 1 and 0) and the timer Y operating mode bits (bits 5 and 4) of the timer XY mode register (address 0023<sub>16</sub>).

##### • Explanation of operation

The operation is the same as the timer mode's. Moreover the pulse which is inverted each time the timer underflows is output from CNTR0/CNTR1 pin. Regardless of the timer counting or not the output of CNTR0/CNTR1 pin is initialized to the level of specified by their active edge switch bits when writing to the timer. When the CNTR0 active edge switch bit (bit 2) and the CNTR1 active edge switch bit (bit 6) of the timer XY mode register (address 0023<sub>16</sub>) is "0", the output starts with "H" level. When it is "1", the output starts with "L" level.

Switching the CNTR0 or CNTR1 active edge switch bit will reverse the output level of the corresponding CNTR0 or CNTR1 pin.

##### • Precautions

Set the double-function port of CNTR0/CNTR1 pin and port P54/P55 to output in this mode.

#### (3) Event Counter Mode

##### • Mode selection

This mode can be selected by setting "10" to the timer X operating mode bits (bits 1 and 0) and the timer Y operating mode bits (bits 5 and 4) of the timer XY mode register (address 0023<sub>16</sub>).

##### • Explanation of operation

The operation is the same as the timer mode's except that the timer counts signals input from the CNTR0 or CNTR1 pin. The valid edge for the count operation depends on the CNTR0 active edge switch bit (bit 2) or the CNTR1 active edge switch bit (bit 6) of the timer XY mode register (address 0023<sub>16</sub>). When it is "0", the rising edge is valid. When it is "1", the falling edge is valid.

##### • Precautions

Set the double-function port of CNTR0/CNTR1 pin and port P54/P55 to input in this mode.

#### (4) Pulse Width Measurement Mode

- Mode selection

This mode can be selected by setting “11” to the timer X operating mode bits (bits 1 and 0) and the timer Y operating mode bits (bits 5 and 4) of the timer XY mode register (address 0023<sub>16</sub>).

- Explanation of operation

When the CNTR0 active edge switch bit (bit 2) or the CNTR1 active edge switch bit (bit 6) of the timer XY mode register (address 0023<sub>16</sub>) is “1”, the timer counts during the term of one falling edge of CNTR0/CNTR1 pin input until the next rising edge of input (“L” term). When it is “0”, the timer counts during the term of one rising edge input until the next falling edge input (“H” term).

- Precautions

Set the double-function port of CNTR0/CNTR1 pin and port P54/P55 to input in this mode.

The count operation can be stopped by setting “1” to the timer X count stop bit (bit 3) and the timer Y count stop bit (bit 7) of the timer XY mode register (address 0023<sub>16</sub>). The interrupt request bit is set to “1” each time the timer underflows.

- Precautions when switching count source

When switching the count source by the timer 12, X and Y count source selection bits, the value of timer count is altered in inconsiderable amount owing to generating of thin pulses on the count input signals.

Therefore, select the timer count source before setting the value to the prescaler and the timer.

EOL announced Product

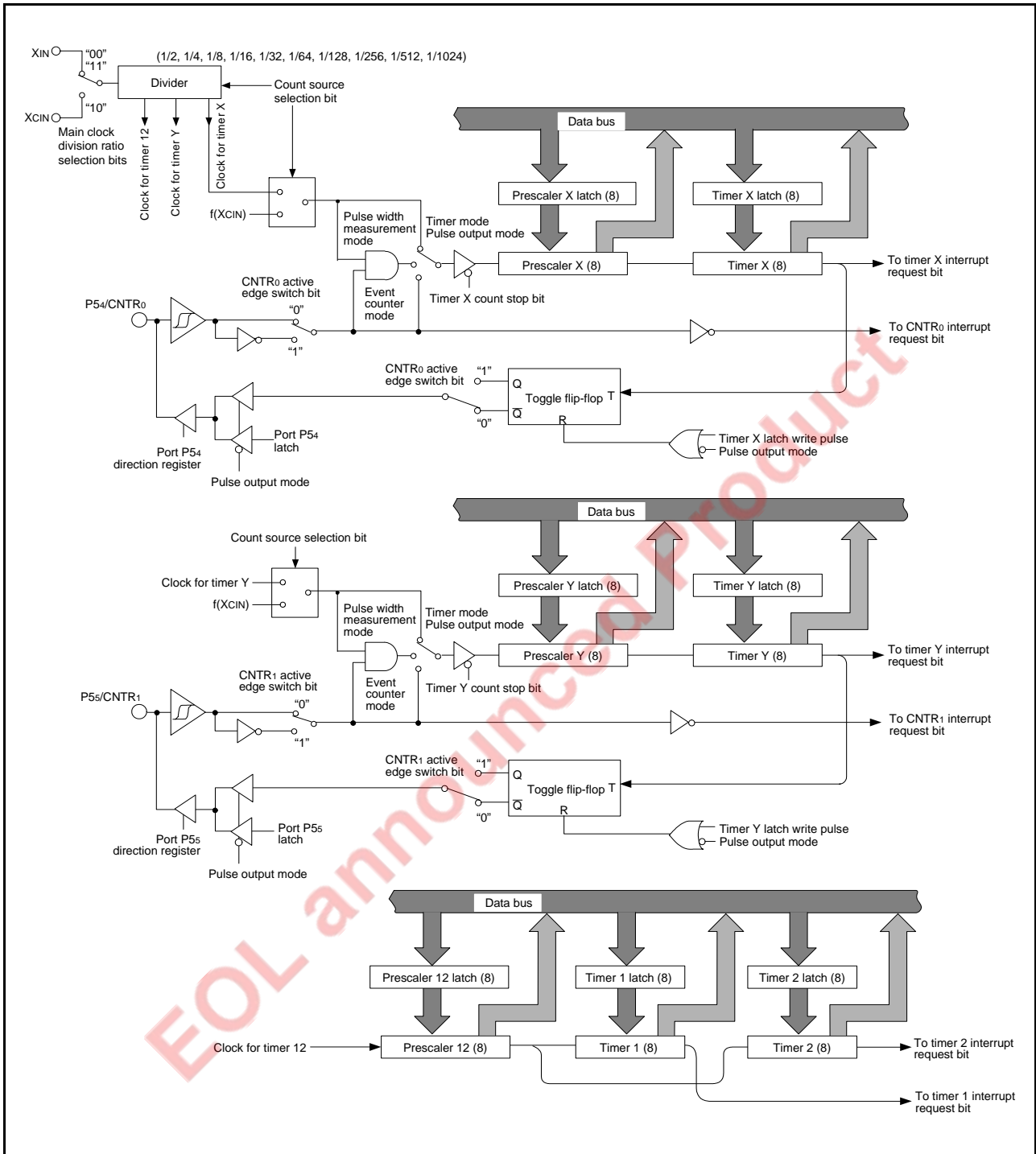


Fig 22. Block diagram of timer X, timer Y, timer 1, and timer 2

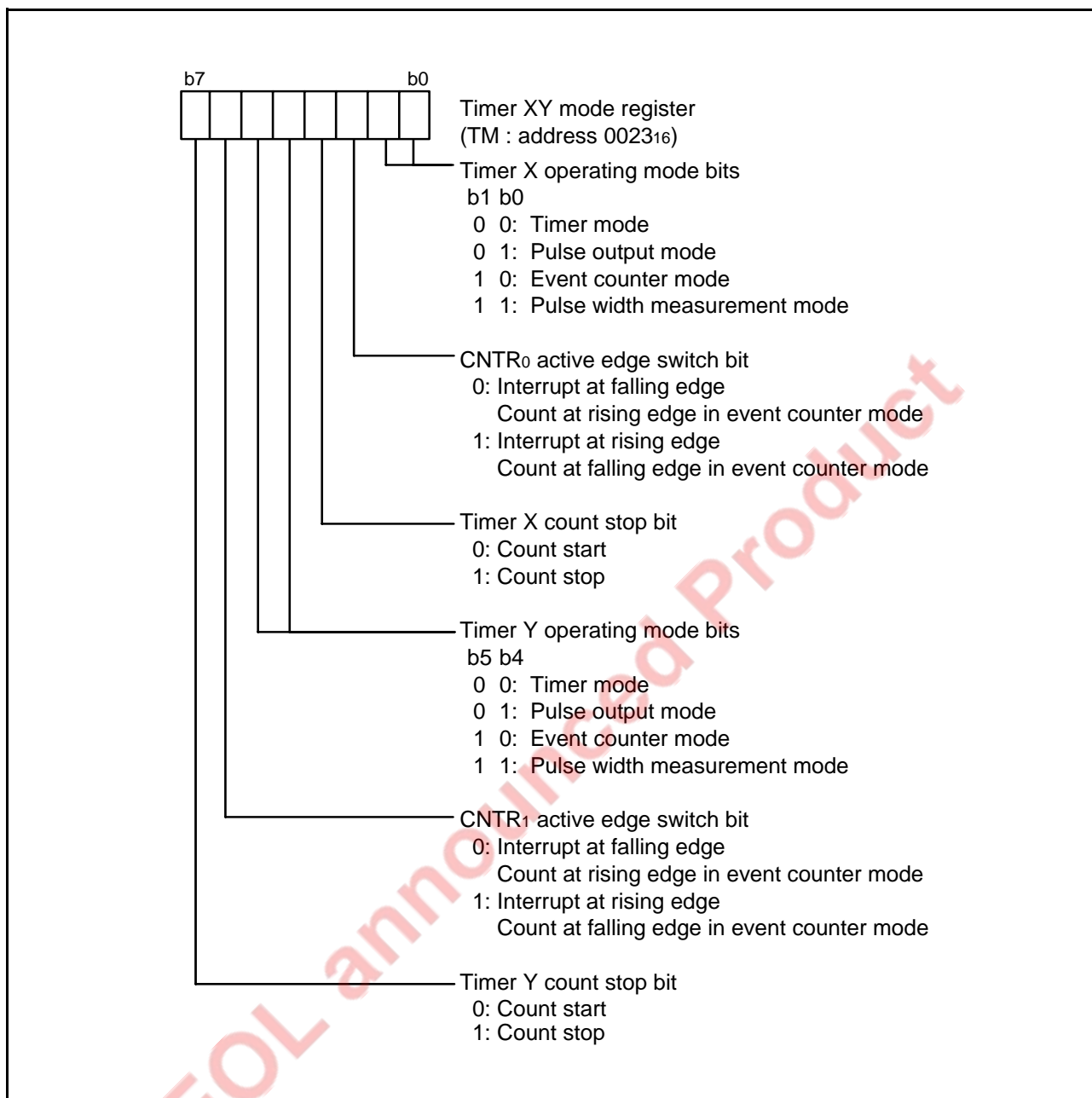


Fig 23. Structure of timer XY mode register

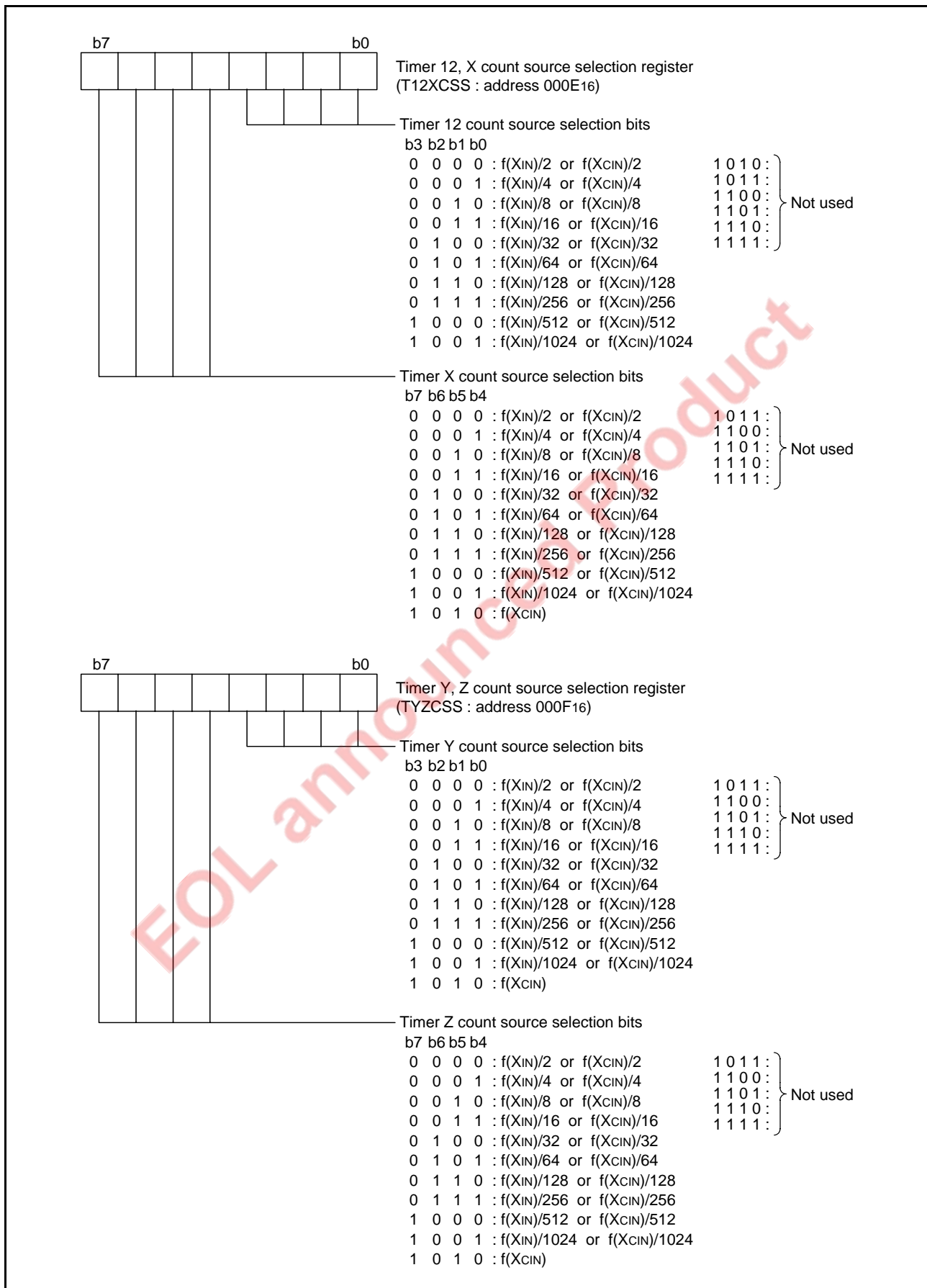


Fig 24. Structure of timer 12, X and timer Y, Z count source selection registers

### • 16-bit Timer

The timer Z is a 16-bit timer. When the timer reaches “0000<sub>16</sub>”, an underflow occurs at the next count pulse and the corresponding timer latch is reloaded into the timer and the count is continued. When the timer underflows, the interrupt request bit corresponding to the timer Z is set to “1”.

When reading/writing to the timer Z, perform reading/writing to both the high-order byte and the low-order byte. When reading the timer Z, read from the high-order byte first, followed by the low-order byte. Do not perform the writing to the timer Z between read operation of the high-order byte and read operation of the low-order byte. When writing to the timer Z, write to the low-order byte first, followed by the high-order byte. Do not perform the reading to the timer Z between write operation of the low-order byte and write operation of the high-order byte.

The timer Z can select the count source by the timer Z count source selection bits of timer Y, Z count source selection register (bits 7 to 4 at address 000F<sub>16</sub>).

Timer Z can select one of seven operating modes by setting the timer Z mode register (address 002A<sub>16</sub>).

### (1) Timer mode

#### • Mode selection

This mode can be selected by setting “000” to the timer Z operating mode bits (bits 2 to 0) and setting “0” to the timer/event counter mode switch bit (b7) of the timer Z mode register (address 002A<sub>16</sub>).

#### • Count source selection

In high- or middle-speed mode, 1/2, 1/4, 1/8, 1/16, 1/32, 1/64, 1/128, 1/256, 1/512 or 1/1024 of f(XIN); or f(XCIN) can be selected as the count source.

In low-speed mode, 1/2, 1/4, 1/8, 1/16, 1/32, 1/64, 1/128, 1/256, 1/512 or 1/1024 of f(XCIN); or f(XCIN) can be selected as the count source.

#### • Interrupt

When an underflow occurs, the INT0/timer Z interrupt request bit (bit 0) of the interrupt request register 1 (address 003C<sub>16</sub>) is set to “1”.

#### • Explanation of operation

During timer stop, usually write data to a latch and a timer at the same time to set the timer value.

The timer count operation is started by setting “0” to the timer Z count stop bit (bit 6) of the timer Z mode register (address 002A<sub>16</sub>).

When the timer reaches “0000<sub>16</sub>”, an underflow occurs at the next count pulse and the contents of timer latch are reloaded into the timer and the count is continued.

When writing data to the timer during operation, the data is written only into the latch. Then the new latch value is reloaded into the timer at the next underflow.

### (2) Event counter mode

#### • Mode selection

This mode can be selected by setting “000” to the timer Z operating mode bits (bits 2 to 0) and setting “1” to the timer/event counter mode switch bit (bit 7) of the timer Z mode register (address 002A<sub>16</sub>).

The valid edge for the count operation depends on the CNTR2 active edge switch bit (bit 5) of the timer Z mode register (address 002A<sub>16</sub>). When it is “0”, the rising edge is valid. When it is “1”, the falling edge is valid.

#### • Interrupt

The interrupt at an underflow is the same as the timer mode’s.

#### • Explanation of operation

The operation is the same as the timer mode’s.

Set the double-function port of CNTR2 pin and port P47 to input in this mode.

Figure.27 shows the timing chart of the timer/event counter mode.

### (3) Pulse output mode

#### • Mode selection

This mode can be selected by setting “001” to the timer Z operating mode bits (bits 2 to 0) and setting “0” to the timer/event counter mode switch bit (b7) of the timer Z mode register (address 002A<sub>16</sub>).

#### • Count source selection

In high- or middle-speed mode, 1/2, 1/4, 1/8, 1/16, 1/32, 1/64, 1/128, 1/256, 1/512 or 1/1024 of f(XIN); or f(XCIN) can be selected as the count source.

In low-speed mode, 1/2, 1/4, 1/8, 1/16, 1/32, 1/64, 1/128, 1/256, 1/512 or 1/1024 of f(XCIN); or f(XCIN) can be selected as the count source.

#### • Interrupt

The interrupt at an underflow is the same as the timer mode’s.

#### • Explanation of operation

The operation is the same as the timer mode’s. Moreover the pulse which is inverted each time the timer underflows is output from CNTR2 pin. When the CNTR2 active edge switch bit (bit 5) of the timer Z mode register (address 002A<sub>16</sub>) is “0”, the output starts with “H” level. When it is “1”, the output starts with “L” level.

#### • Precautions

The double-function port of CNTR2 pin and port P47 is automatically set to the timer pulse output port in this mode.

The output from CNTR2 pin is initialized to the level depending on CNTR2 active edge switch bit by writing to the timer.

When the value of the CNTR2 active edge switch bit is changed, the output level of CNTR2 pin is inverted.

Figure.28 shows the timing chart of the pulse output mode.



**(4) Pulse period measurement mode**

## • Mode selection

This mode can be selected by setting “010” to the timer Z operating mode bits (bits 2 to 0) and setting “0” to the timer/event counter mode switch bit (b7) of the timer Z mode register (address 002A16).

## • Count source selection

In high- or middle-speed mode, 1/2, 1/4, 1/8, 1/16, 1/32, 1/64, 1/128, 1/256, 1/512 or 1/1024 of f(XIN); or f(XCIN) can be selected as the count source.

In low-speed mode, 1/2, 1/4, 1/8, 1/16, 1/32, 1/64, 1/128, 1/256, 1/512 or 1/1024 of f(XCIN); or f(XCIN) can be selected as the count source.

## • Interrupt

The interrupt at an underflow is the same as the timer mode's. When the pulse period measurement is completed, the INT4/CNTR2 interrupt request bit (bit 5) of the interrupt request register 2 (address 003D16) is set to “1”.

## • Explanation of operation

The cycle of the pulse which is input from the CNTR2 pin is measured. When the CNTR2 active edge switch bit (bit 5) of the timer Z mode register (address 002A16) is “0”, the timer counts during the term from one falling edge of CNTR2 pin input to the next falling edge. When it is “1”, the timer counts during the term from one rising edge input to the next rising edge input.

When the valid edge of measurement completion/start is detected, the 1's complement of the timer value is written to the timer latch and “FFFF16” is set to the timer.

Furthermore when the timer underflows, the timer Z interrupt request occurs and “FFFF16” is set to the timer. When reading the timer Z, the value of the timer latch (measured value) is read. The measured value is retained until the next measurement completion.

## • Precautions

Set the double-function port of CNTR2 pin and port P47 to input in this mode.

A read-out of timer value is impossible in this mode. The timer can be written to only during timer stop (no measurement of pulse period).

Since the timer latch in this mode is specialized for the read-out of measured values, do not perform any write operation during measurement.

“FFFF16” is set to the timer when the timer underflows or when the valid edge of measurement start/completion is detected. Consequently, the timer value at start of pulse period measurement depends on the timer value just before measurement start.

Figure.29 shows the timing chart of the pulse period measurement mode.

**(5) Pulse width measurement mode**

## • Mode selection

This mode can be selected by setting “011” to the timer Z operating mode bits (bits 2 to 0) and setting “0” to the timer/event counter mode switch bit (b7) of the timer Z mode register (address 002A16).

## • Count source selection

In high- or middle-speed mode, 1/2, 1/4, 1/8, 1/16, 1/32, 1/64, 1/128, 1/256, 1/512 or 1/1024 of f(XIN); or f(XCIN) can be selected as the count source.

In low-speed mode, 1/2, 1/4, 1/8, 1/16, 1/32, 1/64, 1/128, 1/256, 1/512 or 1/1024 of f(XCIN); or f(XCIN) can be selected as the count source.

## • Interrupt

The interrupt at an underflow is the same as the timer mode's. When the pulse widths measurement is completed, the INT4/CNTR2 interrupt request bit (bit 5) of the interrupt request register 2 (address 003D16) is set to “1”.

## • Explanation of operation

The pulse width which is input from the CNTR2 pin is measured. When the CNTR2 active edge switch bit (bit 5) of the timer Z mode register (address 002A16) is “0”, the timer counts during the term from one rising edge input to the next falling edge input (“H” term). When it is “1”, the timer counts during the term from one falling edge of CNTR2 pin input to the next rising edge of input (“L” term).

When the valid edge of measurement completion is detected, the 1's complement of the timer value is written to the timer latch.

When the valid edge of measurement completion/start is detected, “FFFF16” is set to the timer.

When the timer Z underflows, the timer Z interrupt occurs and “FFFF16” is set to the timer Z. When reading the timer Z, the value of the timer latch (measured value) is read. The measured value is retained until the next measurement completion.

## • Precautions

Set the double-function port of CNTR2 pin and port P47 to input in this mode.

A read-out of timer value is impossible in this mode. The timer can be written to only during timer stop (no measurement of pulse widths).

Since the timer latch in this mode is specialized for the read-out of measured values, do not perform any write operation during measurement.

“FFFF16” is set to the timer when the timer underflows or when the valid edge of measurement start/completion is detected. Consequently, the timer value at start of pulse width measurement depends on the timer value just before measurement start.

Figure.30 shows the timing chart of the pulse width measurement mode.

**(6) Programmable waveform generating mode**

## • Mode selection

This mode can be selected by setting “100” to the timer Z operating mode bits (bits 2 to 0) and setting “0” to the timer/event counter mode switch bit (b7) of the timer Z mode register (address 002A16).

## • Count source selection

In high- or middle-speed mode, 1/2, 1/4, 1/8, 1/16, 1/32, 1/64, 1/128, 1/256, 1/512 or 1/1024 of  $f(XIN)$ ; or  $f(XCIN)$  can be selected as the count source.

In low-speed mode, 1/2, 1/4, 1/8, 1/16, 1/32, 1/64, 1/128, 1/256, 1/512 or 1/1024 of  $f(XCIN)$ ; or  $f(XCIN)$  can be selected as the count source.

## • Interrupt

The interrupt at an underflow is the same as the timer mode's.

## • Explanation of operation

The operation is the same as the timer mode's. Moreover the timer outputs the data set in the output level latch (bit 4) of the timer Z mode register (address 002A16) from the CNTR2 pin each time the timer underflows.

Changing the value of the output level latch and the timer latch after an underflow makes it possible to output an optional waveform from the CNTR2 pin.

## • Precautions

The double-function port of CNTR2 pin and port P47 is automatically set to the programmable waveform generating port in this mode.

Figure.31 shows the timing chart of the programmable waveform generating mode.

**(7) Programmable one-shot generating mode**

## • Mode selection

This mode can be selected by setting “101” to the timer Z operating mode bits (bits 2 to 0) and setting “0” to the timer/event counter mode switch bit (b7) of the timer Z mode register (address 002A16).

## • Count source selection

In high- or middle-speed mode, 1/2, 1/4, 1/8, 1/16, 1/32, 1/64, 1/128, 1/256, 1/512 or 1/1024 of  $f(XIN)$ ; or  $f(XCIN)$  can be selected as the count source.

## • Interrupt

The interrupt at an underflow is the same as the timer mode's.

The trigger to generate one-shot pulse can be selected by the INT1 active edge selection bit (bit 1) of the interrupt edge selection register (address 003A16). When it is “0”, the falling edge active is selected; when it is “1”, the rising edge active is selected.

When the valid edge of the INT1 pin is detected, the INT1 interrupt request bit (bit 1) of the interrupt request register 1 (address 003C16) is set to “1”.

## • Explanation of operation

## 1. “H” one-shot pulse; Bit 5 of timer Z mode register = “0”

The output level of the CNTR2 pin is initialized to “L” at mode selection. When trigger generation (input signal to INT1 pin) is detected, “H” is output from the CNTR2 pin. When an underflow occurs, “L” is output. The “H” one-shot pulse width is set by the setting value to the timer Z register low-order and high-order. When trigger generating is detected during timer count stop, although “H” is output from the CNTR2 pin, “H” output state continues because an underflow does not occur.

## 2. “L” one-shot pulse; Bit 5 of timer Z mode register = “1”

The output level of the CNTR2 pin is initialized to “H” at mode selection. When trigger generation (input signal to INT1 pin) is detected, “L” is output from the CNTR2 pin. When an underflow occurs, “H” is output. The “L” one-shot pulse width is set by the setting value to the timer Z low-order and high-order. When trigger generating is detected during timer count stop, although “L” is output from the CNTR2 pin, “L” output state continues because an underflow does not occur.

## • Precautions

Set the double-function port of INT1 pin and port P42 to input in this mode.

The double-function port of CNTR2 pin and port P47 is automatically set to the programmable one-shot generating port in this mode.

This mode cannot be used in low-speed mode.

If the value of the CNTR2 active edge switch bit is changed during one-shot generating enabled or generating one-shot pulse, then the output level from CNTR2 pin changes.

Figure.32 shows the timing chart of the programmable one-shot generating mode.

**<Notes regarding all modes>**

## • Timer Z write control

Which write control can be selected by the timer Z write control bit (bit 3) of the timer Z mode register (address 002A16), writing data to both the latch and the timer at the same time or writing data only to the latch.

When the operation “writing data only to the latch” is selected, the value is set to the timer latch by writing data to the address of timer Z and the timer is updated at next underflow. After reset release, the operation “writing data to both the latch and the timer at the same time” is selected, and the value is set to both the latch and the timer at the same time by writing data to the address of timer Z.

In the case of writing data only to the latch, if writing data to the latch and an underflow are performed almost at the same time, the timer value may become undefined.

## • Timer Z read control

A read-out of timer value is impossible in pulse period measurement mode and pulse width measurement mode. In the other modes, a read-out of timer value is possible regardless of count operating or stopped.

However, a read-out of timer latch value is impossible.

## • Switch of interrupt active edge of CNTR2 and INT1

Each interrupt active edge depends on setting of the CNTR2 active edge switch bit and the INT1 active edge selection bit.

## • Switch of count source

When switching the count source by the timer Z count source selection bits, the value of timer count is altered in inconsiderable amount owing to generating of thin pulses on the count input signals.

Therefore, select the timer count source before setting the value to the prescaler and the timer.

## • Usage of CNTR2 pin as normal I/O port P47

To use the CNTR2 pin as normal I/O port P47, set timer Z operating mode bits (b2, b1, b0) of timer Z mode register (address 002A16) to “000”.

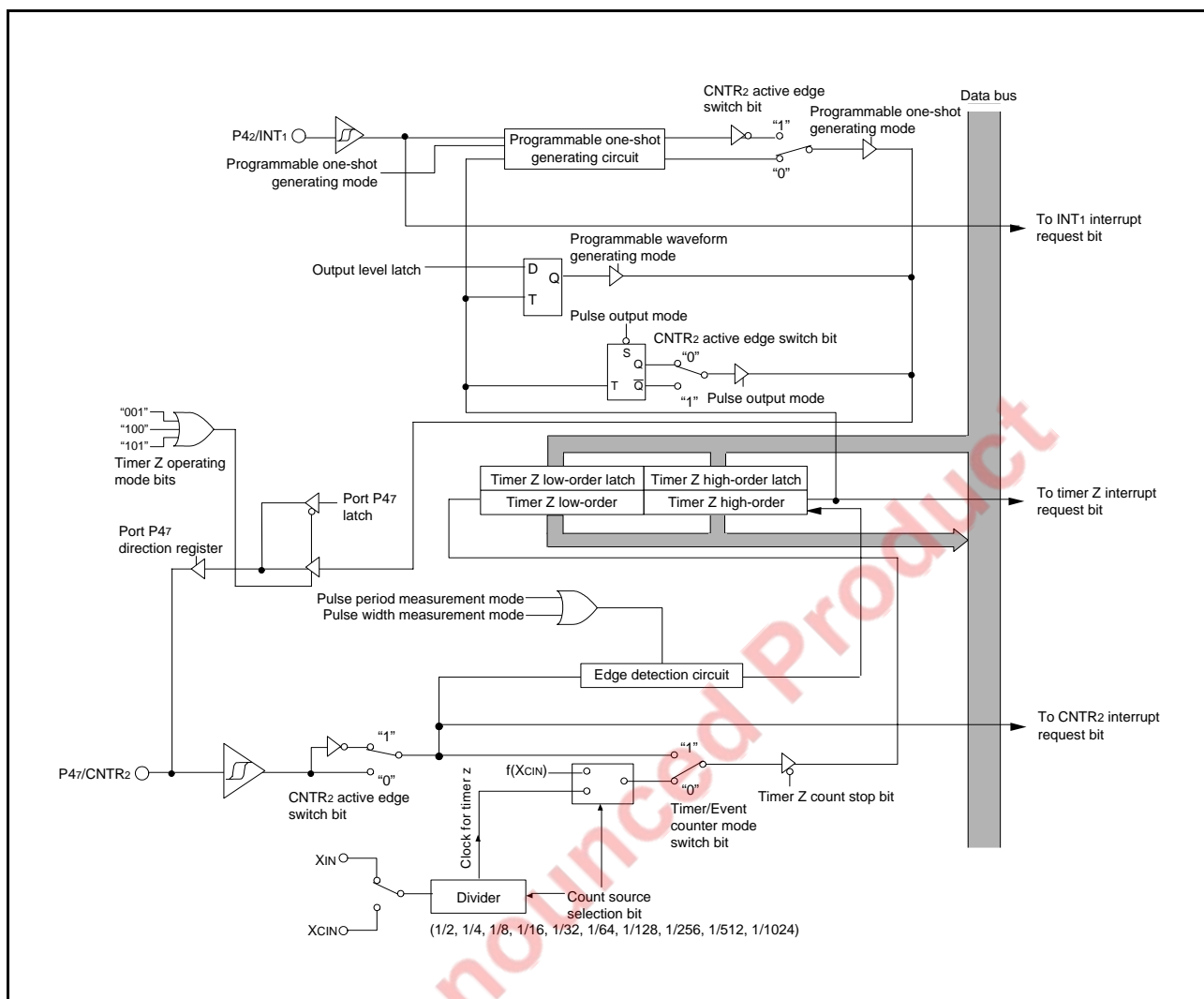


Fig 25. Block diagram of timer Z

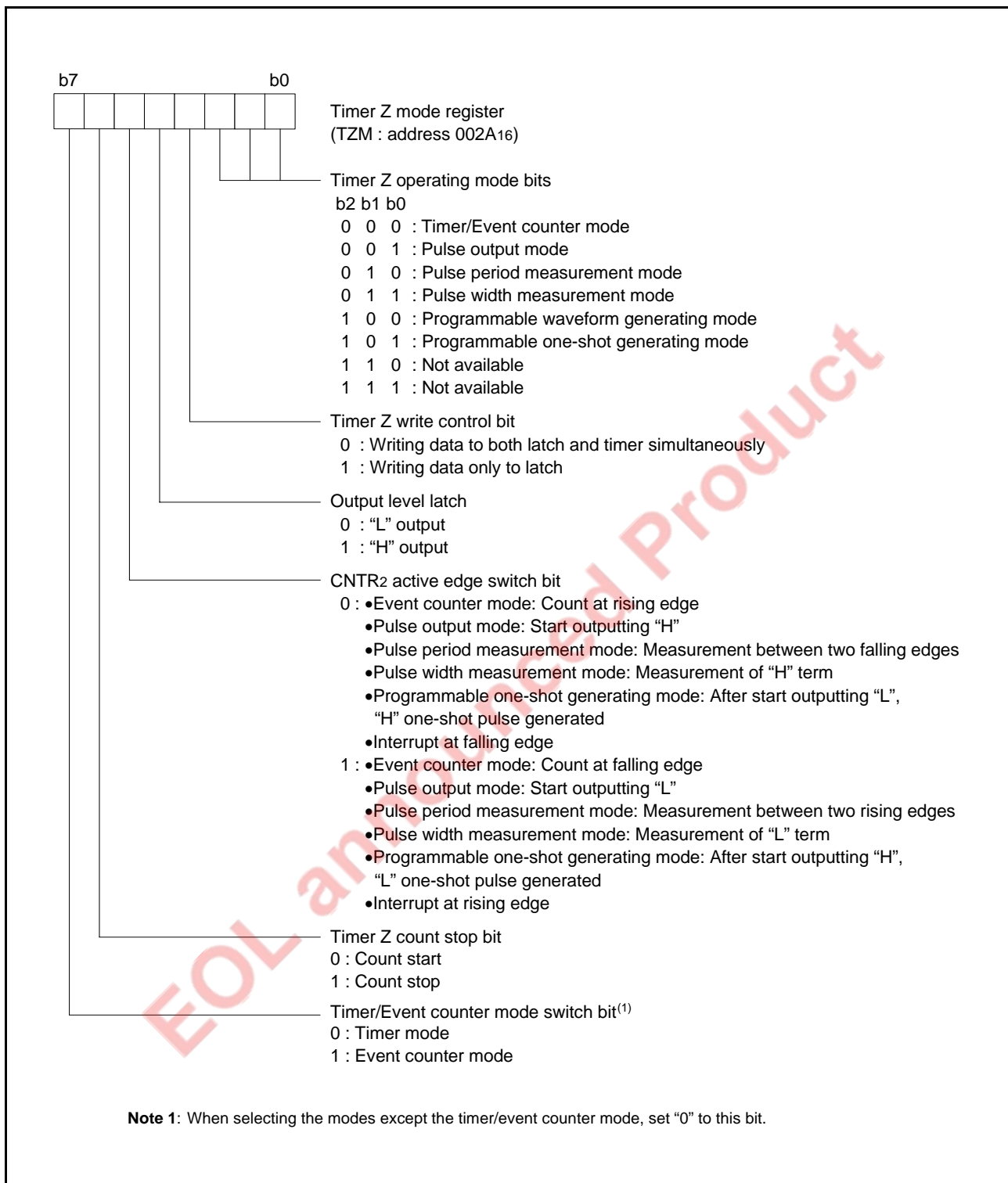


Fig 26. Structure of timer Z mode register

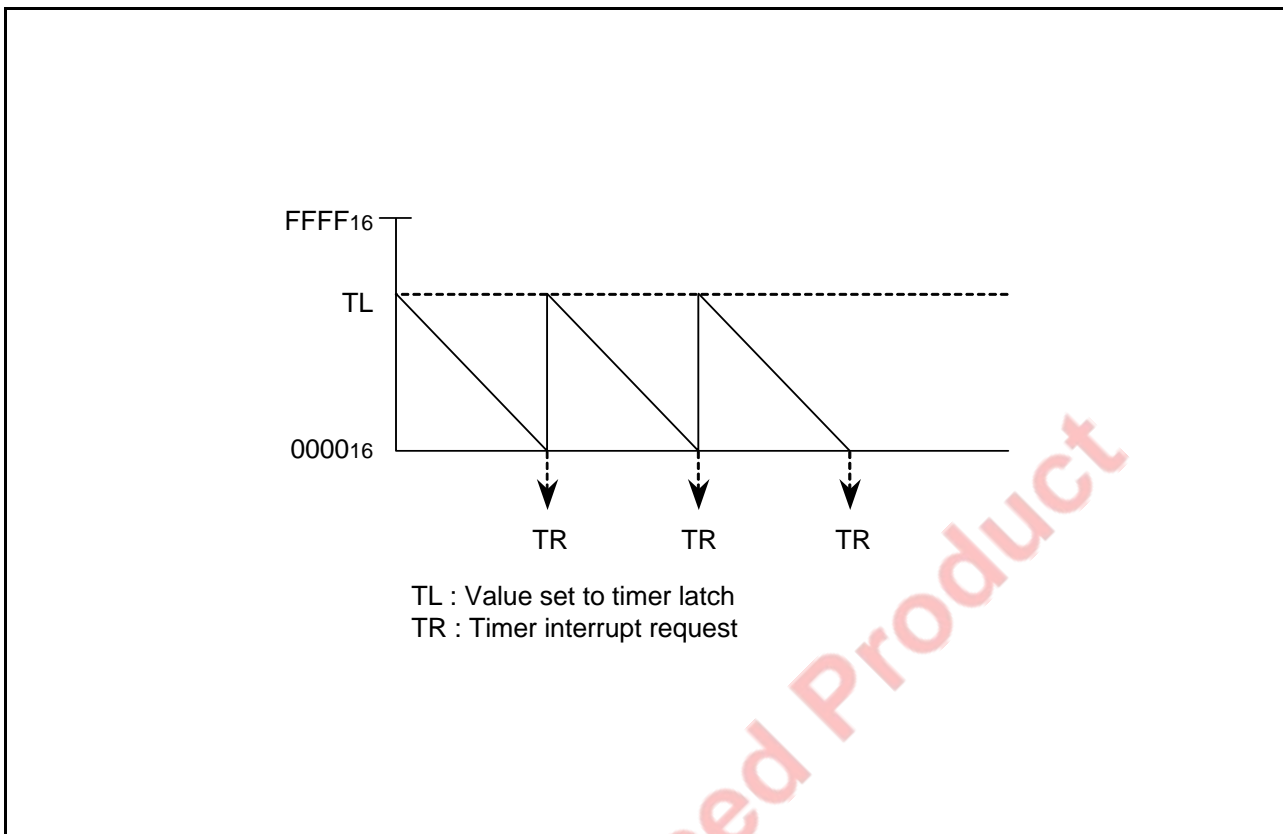


Fig 27. Timing chart of timer/event counter mode

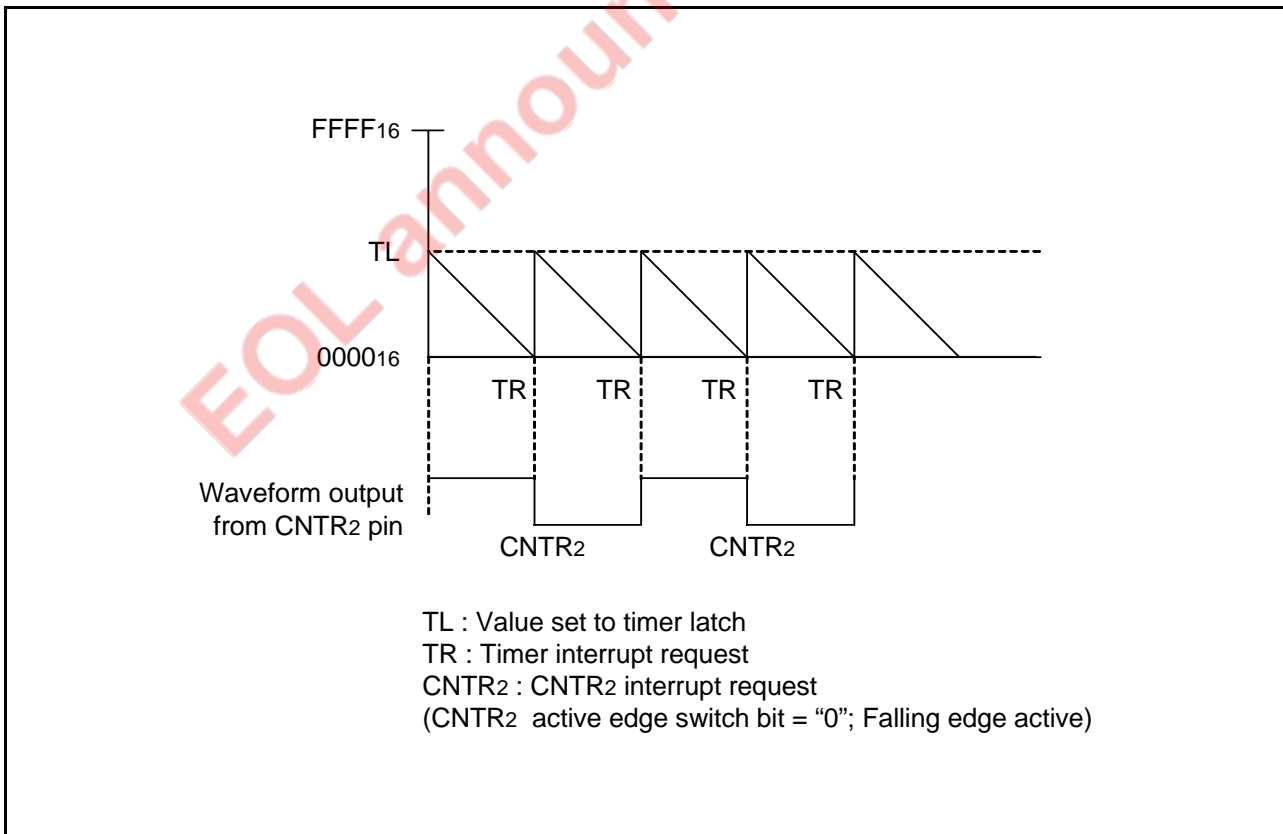


Fig 28. Timing chart of pulse output mode

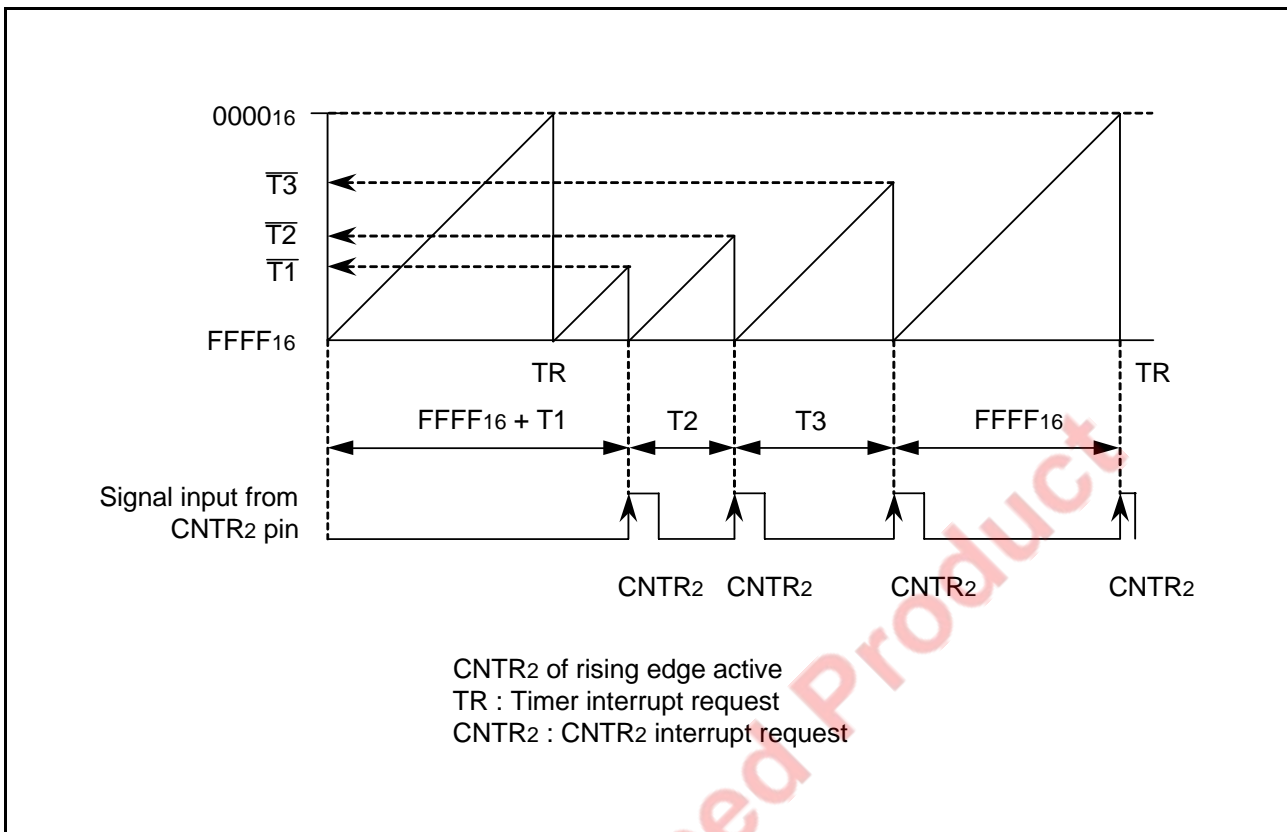


Fig 29. Timing chart of pulse period measurement mode (Measuring term between two rising edges)

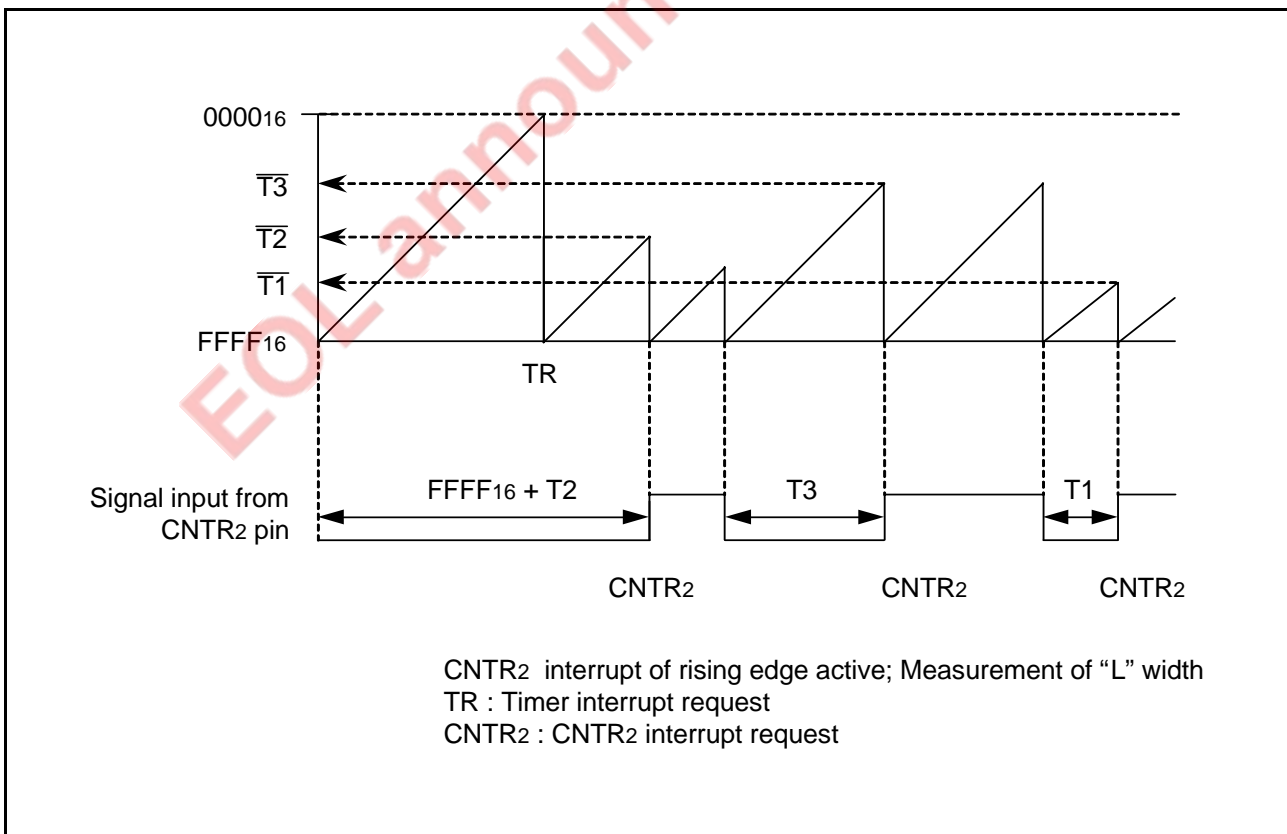


Fig 30. Timing chart of pulse width measurement mode (Measuring "L" term)

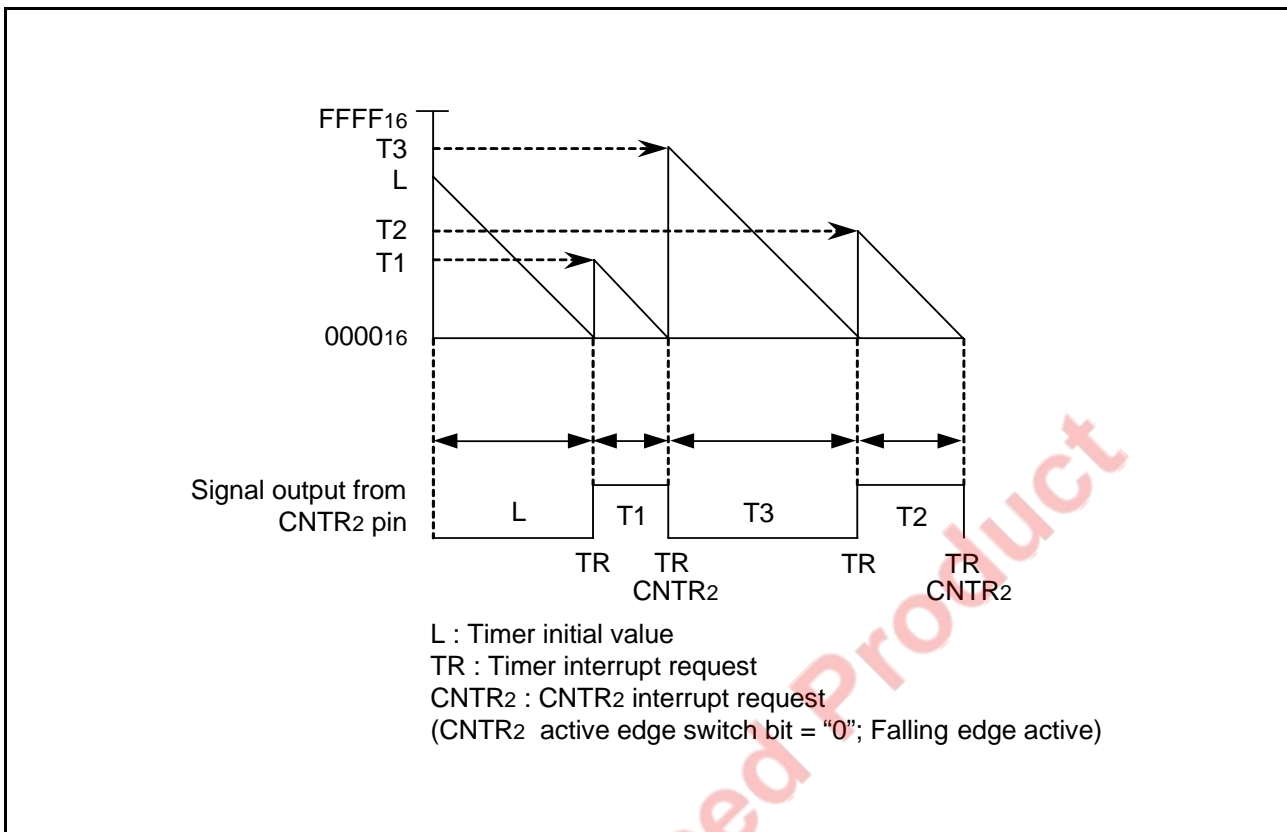


Fig 31. Timing chart of programmable waveform generating mode

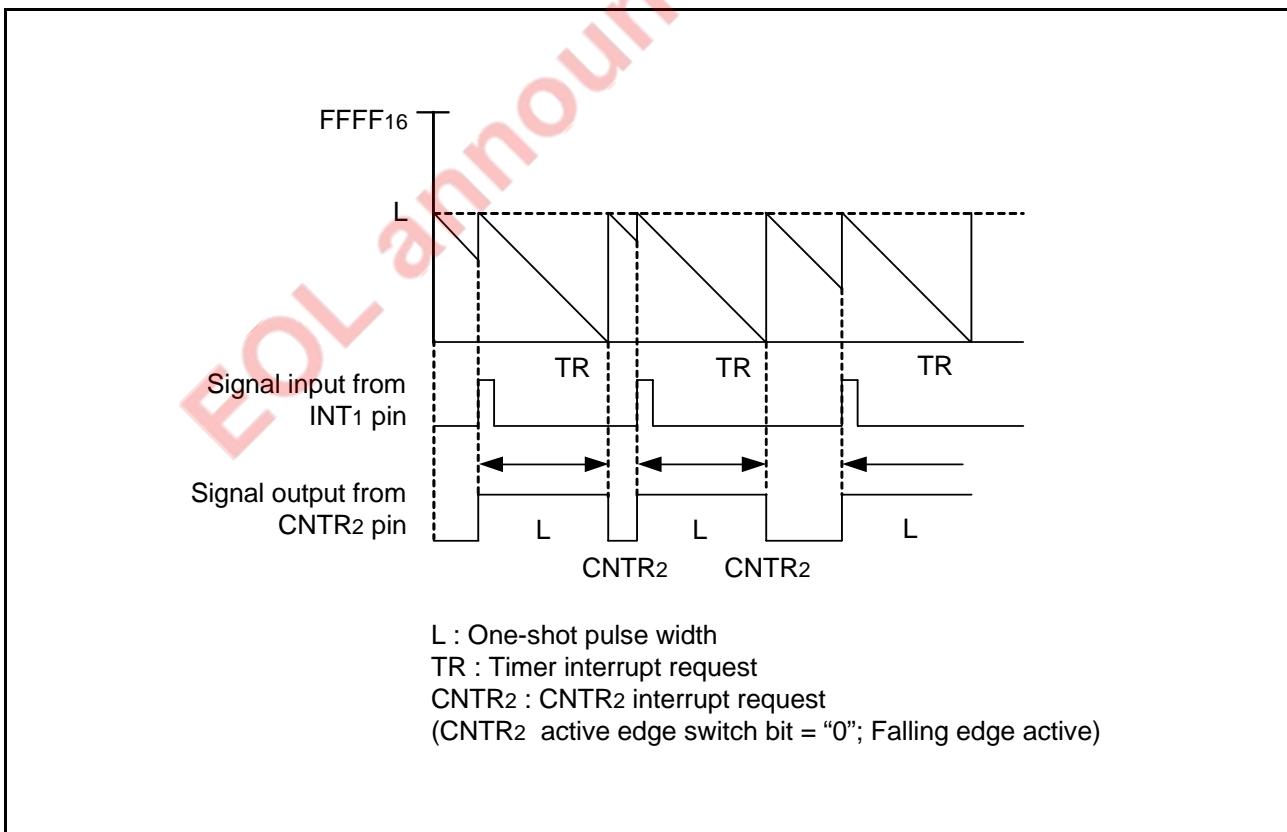


Fig 32. Timing chart of programmable one-shot generating mode ("H" one-shot pulse generating)

**SERIAL INTERFACE**

**• Serial I/O1**

Serial I/O1 can be used as either clock synchronous or asynchronous (UART) serial I/O. A dedicated timer is also provided for baud rate generation.

**(1) Clock Synchronous Serial I/O Mode**

Clock synchronous serial I/O1 mode can be selected by setting the serial I/O1 mode selection bit of the serial I/O1 control register (bit 6 of address 001A16) to "1".

For clock synchronous serial I/O, the transmitter and the receiver must use the same clock. If an internal clock is used, transfer is started by a write signal to the transmit/receive buffer register.

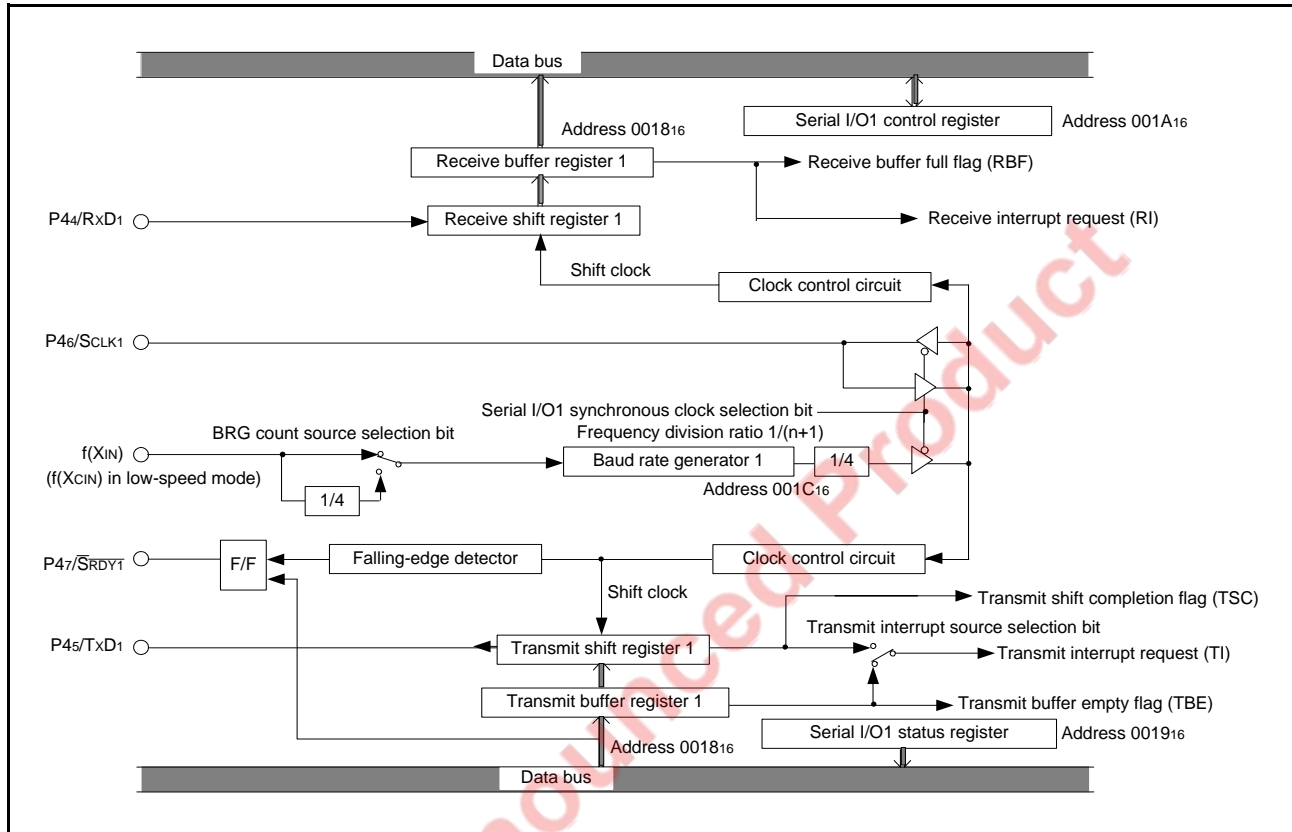


Fig 33. Block diagram of clock synchronous serial I/O1

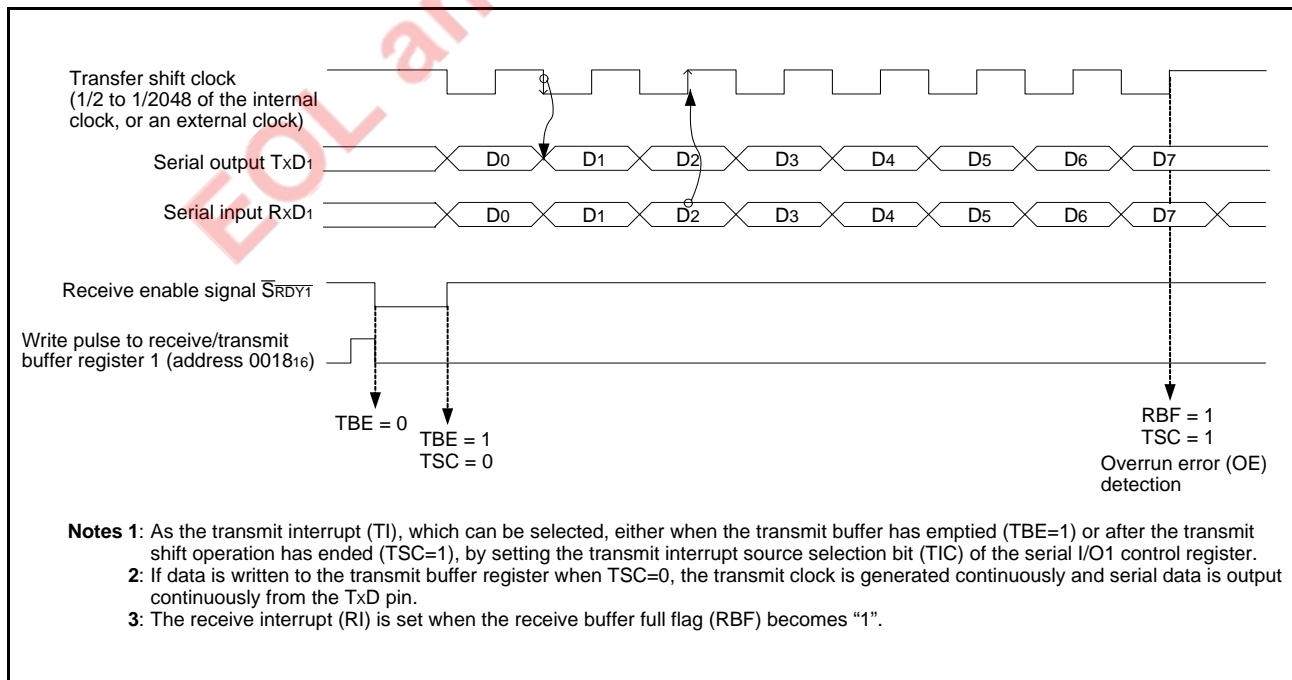


Fig 34. Operation of clock synchronous serial I/O1



**(2) Asynchronous Serial I/O (UART) Mode**

Clock asynchronous serial I/O mode (UART) can be selected by clearing the serial I/O1 mode selection bit (b6) of the serial I/O1 control register to "0".

Eight serial data transfer formats can be selected, and the transfer formats used by a transmitter and receiver must be identical.

The transmit and receive shift registers each have a buffer, but the two buffers have the same address in a memory. Since the shift register cannot be written to or read from directly, transmit data is written to the transmit buffer register, and receive data is read from the receive buffer register.

The transmit buffer register can also hold the next data to be transmitted, and the receive buffer register can hold a character while the next character is being received.

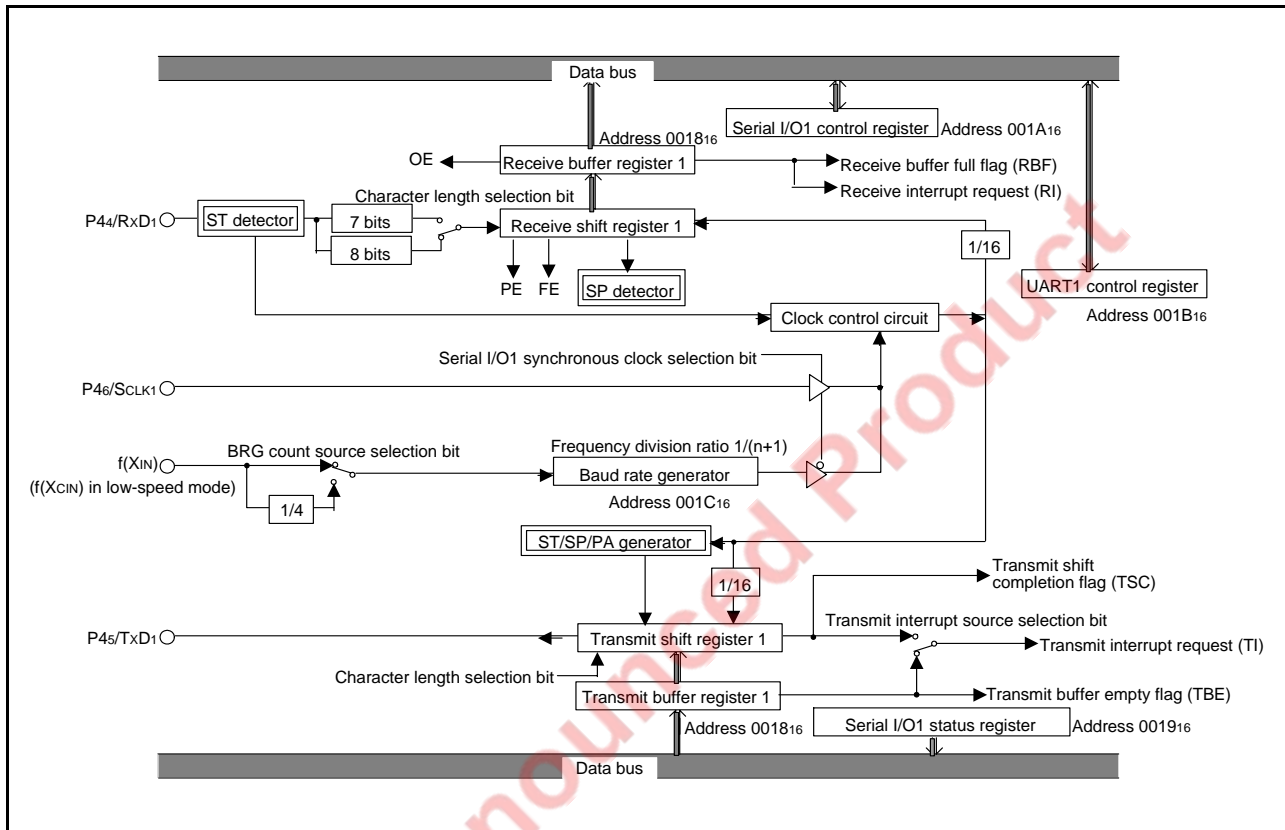


Fig 35. Block diagram of UART serial I/O1

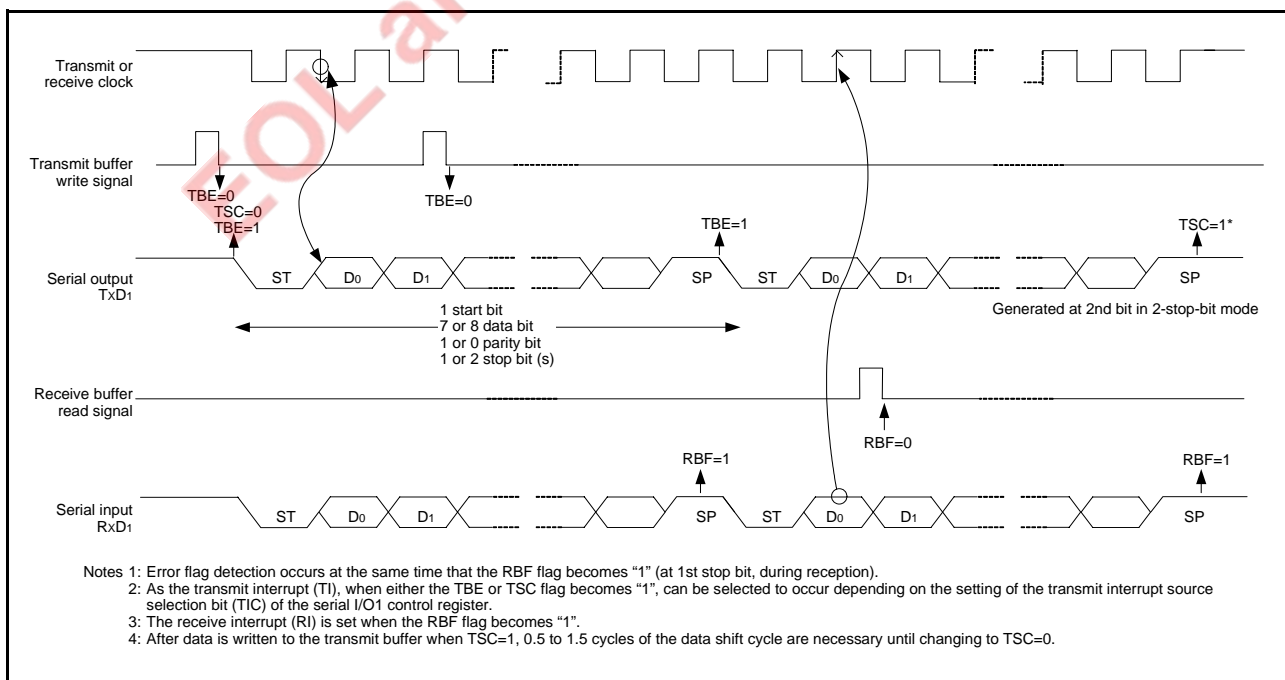


Fig 36. Operation of UART serial I/O1

**[Transmit Buffer Register 1/Receive Buffer Register 1 (TB1/RB1)] 0018<sub>16</sub>**

The transmit buffer register 1 and the receive buffer register 1 are located at the same address. The transmit buffer is write-only and the receive buffer is read-only. If a character bit length is 7 bits, the MSB of data stored in the receive buffer is "0".

**[Serial I/O1 Status Register (SIO1STS)] 0019<sub>16</sub>**

The read-only serial I/O1 status register consists of seven flags (bits 0 to 6) which indicate the operating status of the serial I/O1 function and various errors.

Three of the flags (bits 4 to 6) are valid only in UART mode. The receive buffer full flag (bit 1) is cleared to "0" when the receive buffer register is read.

If there is an error, it is detected at the same time that data is transferred from the receive shift register to the receive buffer register, and the receive buffer full flag is set. A write to the serial I/O1 status register clears all the error flags OE, PE, FE, and SE (bit 3 to bit 6, respectively). Writing "0" to the serial I/O1 enable bit SIOE (bit 7 of the serial I/O1 control register) also clears all the status flags, including the error flags.

Bits 0 to 6 of the serial I/O1 status register are initialized to "0" at reset, but if the transmit enable bit (bit 4) of the serial I/O1 control register has been set to "1", the transmit shift completion flag (bit 2) and the transmit buffer empty flag (bit 0) become "1".

**[Serial I/O1 Control Register (SIO1CON)] 001A<sub>16</sub>**

The serial I/O1 control register consists of eight control bits for the serial I/O1 function.

**[UART1 Control Register (UART1CON)] 001B<sub>16</sub>**

The UART control register consists of four control bits (bits 0 to 3) which are valid when asynchronous serial I/O is selected and set the data format of an data transfer, and one bit (bit 4) which is always valid and sets the output structure of the P45/TxD1 pin.

**[Baud Rate Generator 1 (BRG1)] 001C<sub>16</sub>**

The baud rate generator determines the baud rate for serial transfer.

The baud rate generator divides the frequency of the count source by  $1/(n + 1)$ , where  $n$  is the value written to the baud rate generator.

EOL announced Product

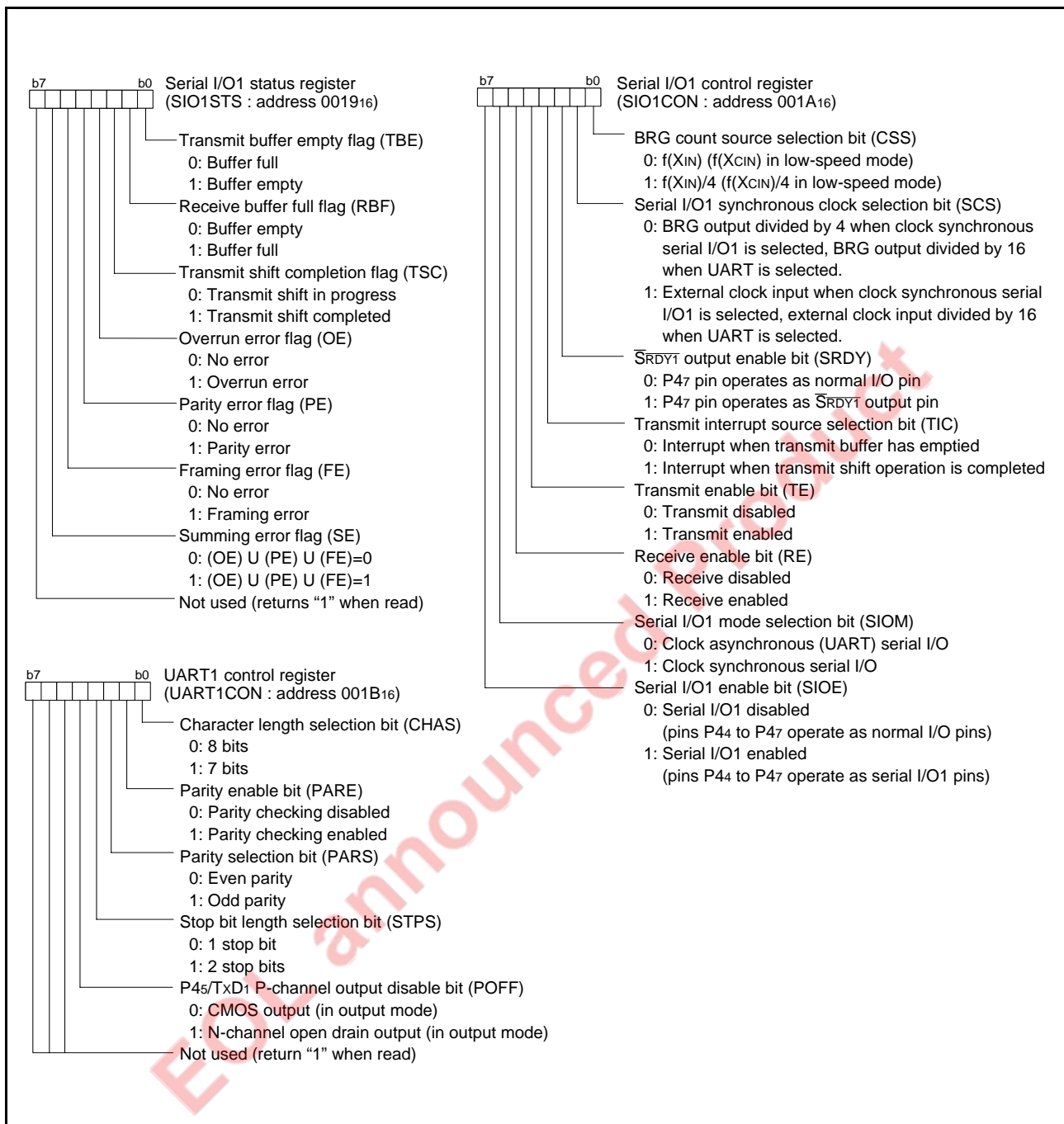


Fig 37. Structure of serial I/O1 control registers

**<Notes concerning serial I/O1>**

## 1. Notes when selecting clock synchronous serial I/O

## 1.1 Stop of transmission operation

## • Note

Clear the serial I/O1 enable bit and the transmit enable bit to “0” (serial I/O and transmit disabled).

## • Reason

Since transmission is not stopped and the transmission circuit is not initialized even if only the serial I/O1 enable bit is cleared to “0” (serial I/O disabled), the internal transmission is running (in this case, since pins TXD1, RXD1, SCLK1, and  $\overline{\text{SRDY1}}$  function as I/O ports, the transmission data is not output). When data is written to the transmit buffer register in this state, data starts to be shifted to the transmit shift register. When the serial I/O1 enable bit is set to “1” at this time, the data during internally shifting is output to the TXD1 pin and an operation failure occurs.

## 1.2 Stop of receive operation

## • Note

Clear the receive enable bit to “0” (receive disabled), or clear the serial I/O1 enable bit to “0” (serial I/O disabled).

## 1.3 Stop of transmit/receive operation

## • Note

Clear both the transmit enable bit and receive enable bit to “0” (transmit and receive disabled).

(when data is transmitted and received in the clock synchronous serial I/O mode, any one of data transmission and reception cannot be stopped.)

## • Reason

In the clock synchronous serial I/O mode, the same clock is used for transmission and reception. If any one of transmission and reception is disabled, a bit error occurs because transmission and reception cannot be synchronized.

In this mode, the clock circuit of the transmission circuit also operates for data reception. Accordingly, the transmission circuit does not stop by clearing only the transmit enable bit to “0” (transmit disabled). Also, the transmission circuit is not initialized by clearing the serial I/O1 enable bit to “0” (serial I/O disabled) (refer to 1.1).

## 2. Notes when selecting clock asynchronous serial I/O

## 2.1 Stop of transmission operation

## • Note

Clear the transmit enable bit to “0” (transmit disabled). The transmission operation does not stop by clearing the serial I/O1 enable bit to “0”.

## • Reason

Since transmission is not stopped and the transmission circuit is not initialized even if only the serial I/O1 enable bit is cleared to “0” (serial I/O disabled), the internal transmission is running (in this case, since pins TXD1, RXD1, SCLK1, and  $\overline{\text{SRDY1}}$  function as I/O ports, the transmission data is not output). When data is written to the transmit buffer register in this state, data starts to be shifted to the transmit shift register. When the serial I/O1 enable bit is set to “1” at this time, the data during internally shifting is output to the TXD1 pin and an operation failure occurs.

## 2.2 Stop of receive operation

## • Note

Clear the receive enable bit to “0” (receive disabled).

## 2.3 Stop of transmit/receive operation

## • Note 1 (only transmission operation is stopped)

Clear the transmit enable bit to “0” (transmit disabled). The transmission operation does not stop by clearing the serial I/O1 enable bit to “0”.

## • Reason

Since transmission is not stopped and the transmission circuit is not initialized even if only the serial I/O1 enable bit is cleared to “0” (serial I/O disabled), the internal transmission is running (in this case, since pins TXD1, RXD1, SCLK1, and  $\overline{\text{SRDY1}}$  function as I/O ports, the transmission data is not output). When data is written to the transmit buffer register in this state, data starts to be shifted to the transmit shift register. When the serial I/O1 enable bit is set to “1” at this time, the data during internally shifting is output to the TXD1 pin and an operation failure occurs.

## • Note 2 (only receive operation is stopped)

Clear the receive enable bit to “0” (receive disabled).

3.  $\overline{\text{SRDYI}}$  output of reception side

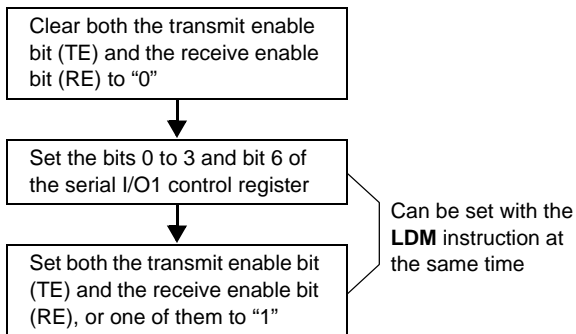
## • Note

When signals are output from the  $\overline{\text{SRDYI}}$  pin on the reception side by using an external clock in the clock synchronous serial I/O mode, set all of the receive enable bit, the  $\overline{\text{SRDYI}}$  output enable bit, and the transmit enable bit to “1” (transmit enabled).

## 4. Setting serial I/O1 control register again

## • Note

Set the serial I/O1 control register again after the transmission and the reception circuits are reset by clearing both the transmit enable bit and the receive enable bit to “0”.



## 5. Data transmission control with referring to transmit shift register completion flag

## • Note

After the transmit data is written to the transmit buffer register, the transmit shift register completion flag changes from “1” to “0” with a delay of 0.5 to 1.5 shift clocks. When data transmission is controlled with referring to the flag after writing the data to the transmit buffer register, note the delay.

## 6. Transmission control when external clock is selected

## • Note

When an external clock is used as the synchronous clock for data transmission, set the transmit enable bit to “1” at “H” of the SCLK1 input level. Also, write data to the transmit buffer register at “H” of the SCLK1 input level.

## 7. Transmit interrupt request when transmit enable bit is set

## • Note

When using the transmit interrupt, take the following sequence.

1. Set the serial I/O1 transmit interrupt enable bit to “0” (disabled).
2. Set the transmit enable bit to “1”.
3. Set the serial I/O1 transmit interrupt request bit to “0” after 1 or more instruction has executed.
4. Set the serial I/O1 transmit interrupt enable bit to “1” (enabled).

## • Reason

When the transmit enable bit is set to “1”, the transmit buffer empty flag and the transmit shift register shift completion flag are also set to “1”. Therefore, regardless of selecting which timing for the generating of transmit interrupts, the interrupt request is generated and the transmit interrupt request bit is set at this point.

• Serial I/O2

The serial I/O2 function can be used only for clock synchronous serial I/O.

For clock synchronous serial I/O2, the transmitter and the receiver must use the same clock. If the internal clock is used, transfer is started by a write signal to the serial I/O2 register (address 001F16).

[Serial I/O2 Control Register (SIO2CON)] 001D16

The serial I/O2 control register contains eight bits which control various serial I/O2 functions.

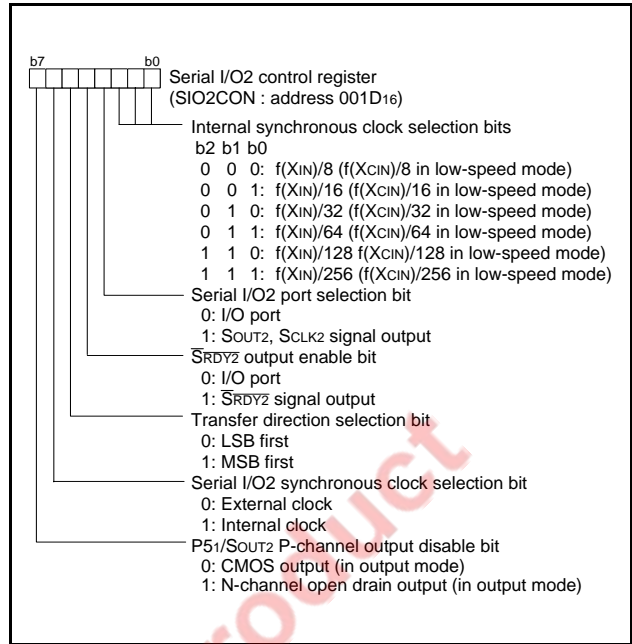


Fig 38. Structure of Serial I/O2 control register

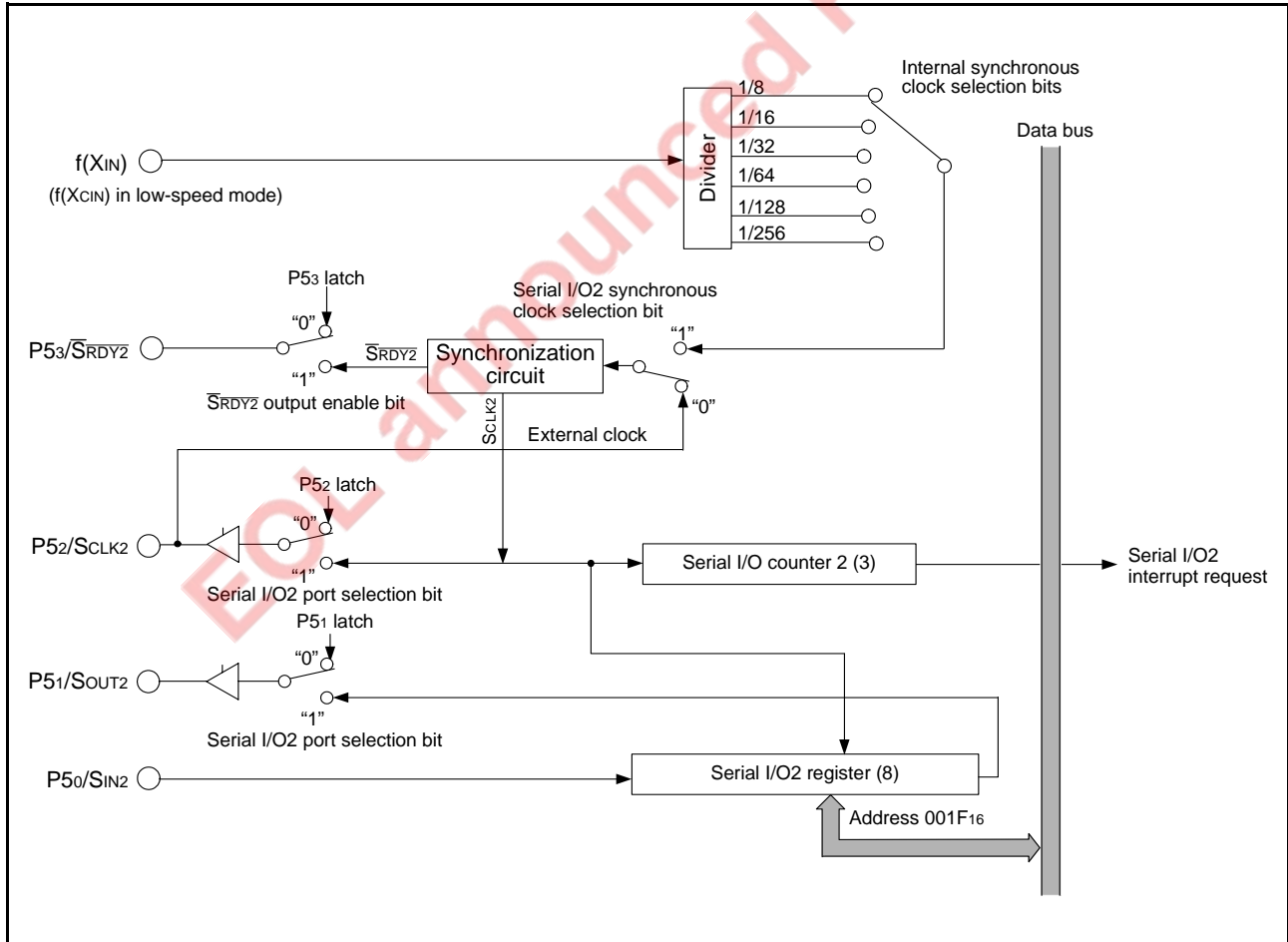


Fig 39. Block diagram of serial I/O2

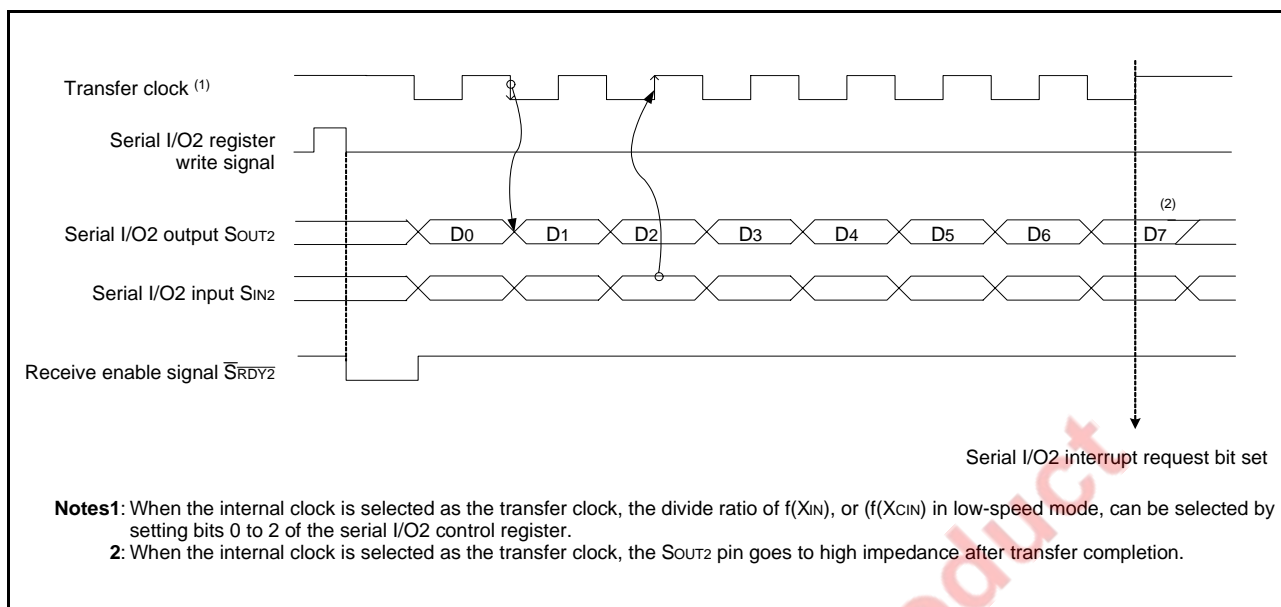


Fig 40. Timing of serial I/O2

EOL announced Product

• Serial I/O3

Serial I/O3 can be used as either clock synchronous or asynchronous (UART) serial I/O3. A dedicated timer is also provided for baud rate generation.

(1) Clock Synchronous Serial I/O Mode

Clock synchronous serial I/O3 mode can be selected by setting the serial I/O3 mode selection bit of the serial I/O3 control register (bit 6 of address 003216) to "1".

For clock synchronous serial I/O, the transmitter and the receiver must use the same clock. If an internal clock is used, transfer is started by a write signal to the transmit/receive buffer register.

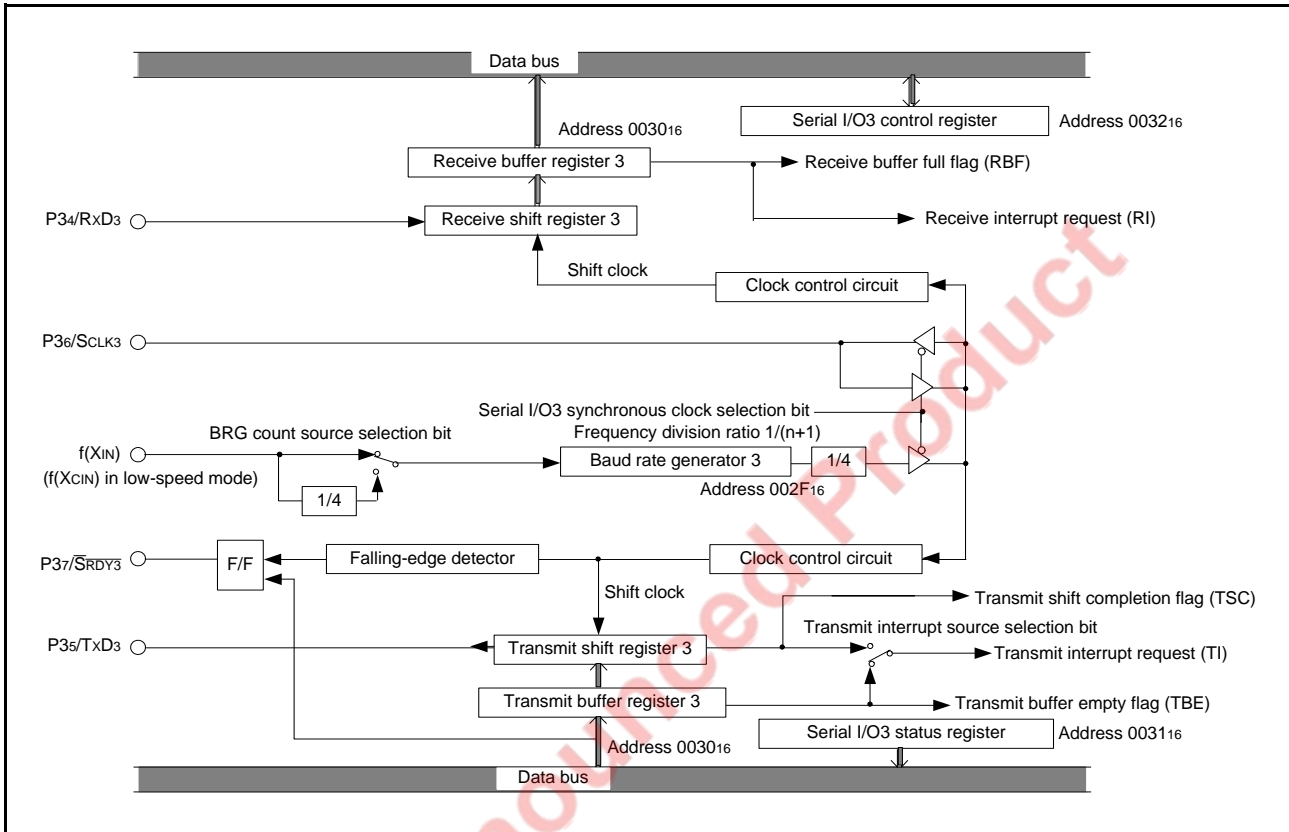


Fig 41. Block diagram of clock synchronous serial I/O3

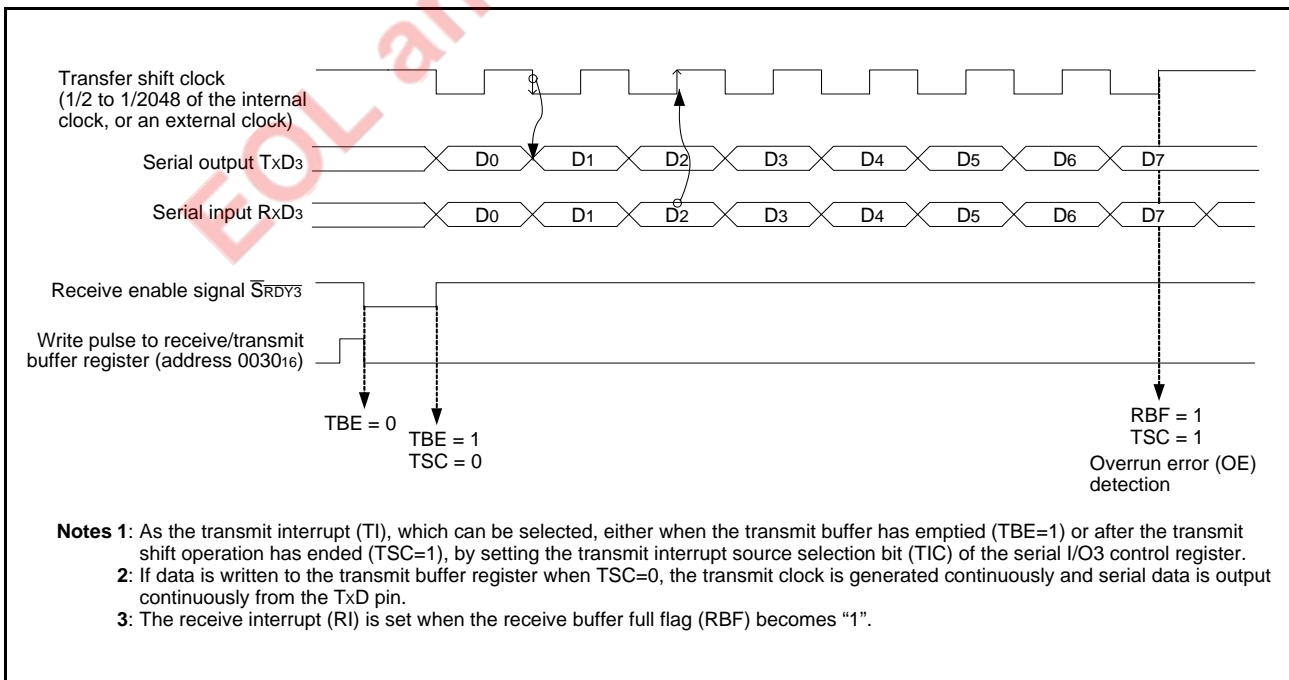


Fig 42. Operation of clock synchronous serial I/O3



**(2) Asynchronous Serial I/O (UART) Mode**

Clock asynchronous serial I/O mode (UART) can be selected by clearing the serial I/O3 mode selection bit (b6) of the serial I/O3 control register to "0". Eight serial data transfer formats can be selected, and the transfer formats used by a transmitter and receiver must be identical.

The transmit and receive shift registers each have a buffer, but the two buffers have the same address in a memory. Since the shift register cannot be written to or read from directly, transmit data is written to the transmit buffer register, and receive data is read from the receive buffer register. The transmit buffer register can also hold the next data to be transmitted, and the receive buffer register can hold a character while the next character is being received.

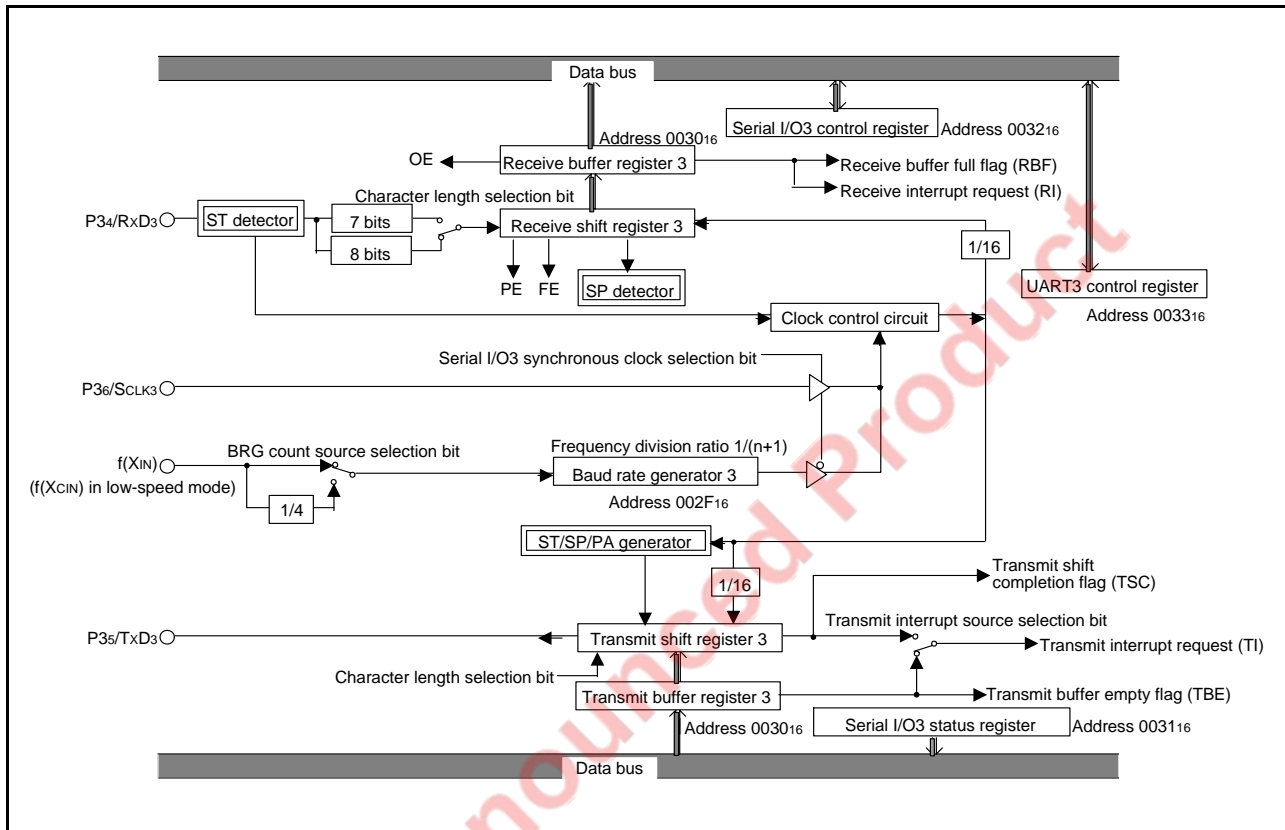


Fig 43. Block diagram of UART serial I/O3

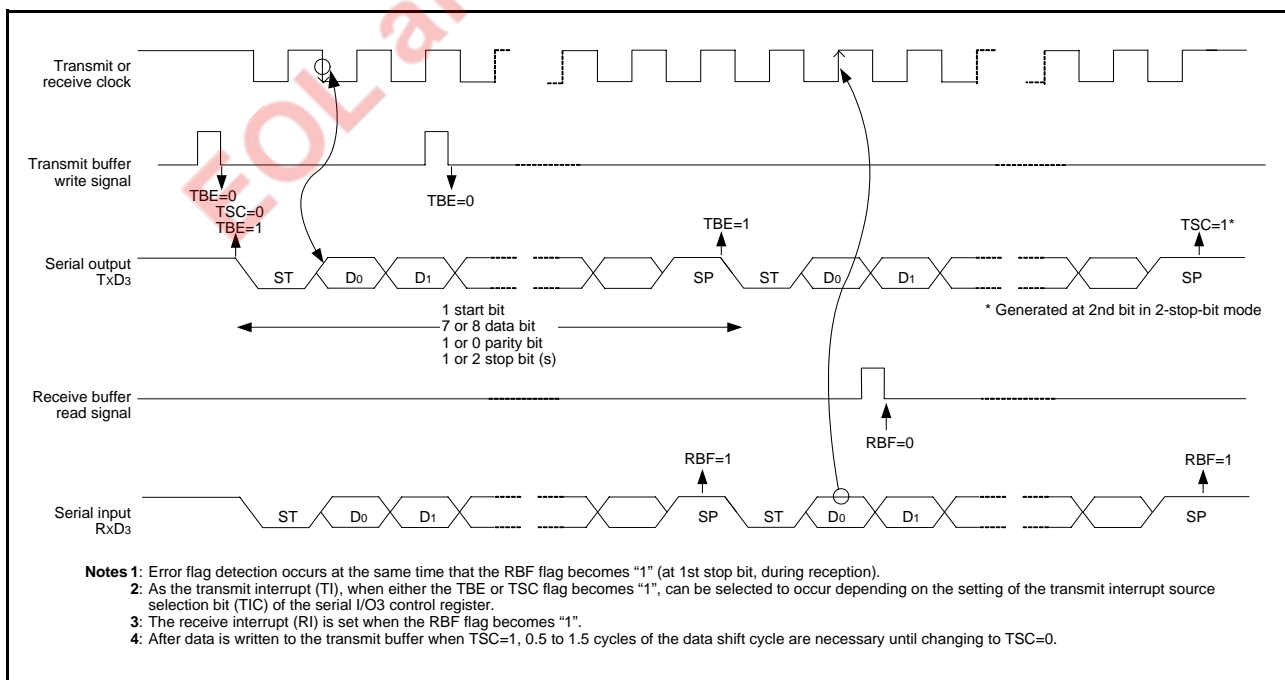


Fig 44. Operation of UART serial I/O3

**[Transmit Buffer Register 3/Receive Buffer Register 3 (TB3/RB3)] 0030<sub>16</sub>**

The transmit buffer register 3 and the receive buffer register 3 are located at the same address. The transmit buffer is write-only and the receive buffer is read-only. If a character bit length is 7 bits, the MSB of data stored in the receive buffer is "0".

**[Serial I/O3 Status Register (SIO3STS)] 0031<sub>16</sub>**

The read-only serial I/O3 status register consists of seven flags (bits 0 to 6) which indicate the operating status of the serial I/O3 function and various errors.

Three of the flags (bits 4 to 6) are valid only in UART mode. The receive buffer full flag (bit 1) is cleared to "0" when the receive buffer register is read.

If there is an error, it is detected at the same time that data is transferred from the receive shift register to the receive buffer register, and the receive buffer full flag is set. A write to the serial I/O3 status register clears all the error flags OE, PE, FE, and SE (bit 3 to bit 6, respectively). Writing "0" to the serial I/O3 enable bit SIOE (bit 7 of the serial I/O3 control register) also clears all the status flags, including the error flags.

Bits 0 to 6 of the serial I/O3 status register are initialized to "0" at reset, but if the transmit enable bit (bit 4) of the serial I/O3 control register has been set to "1", the transmit shift completion flag (bit 2) and the transmit buffer empty flag (bit 0) become "1".

**[Serial I/O3 Control Register (SIO3CON)] 0032<sub>16</sub>**

The serial I/O3 control register consists of eight control bits for the serial I/O3 function.

**[UART3 Control Register (UART3CON)] 0033<sub>16</sub>**

The UART control register consists of four control bits (bits 0 to 3) which are valid when asynchronous serial I/O is selected and set the data format of an data transfer, and one bit (bit 4) which is always valid and sets the output structure of the P35/TxD3 pin.

**[Baud Rate Generator 3 (BRG3)] 002F<sub>16</sub>**

The baud rate generator determines the baud rate for serial transfer.

The baud rate generator divides the frequency of the count source by  $1/(n + 1)$ , where n is the value written to the baud rate generator.

EOL announced Product

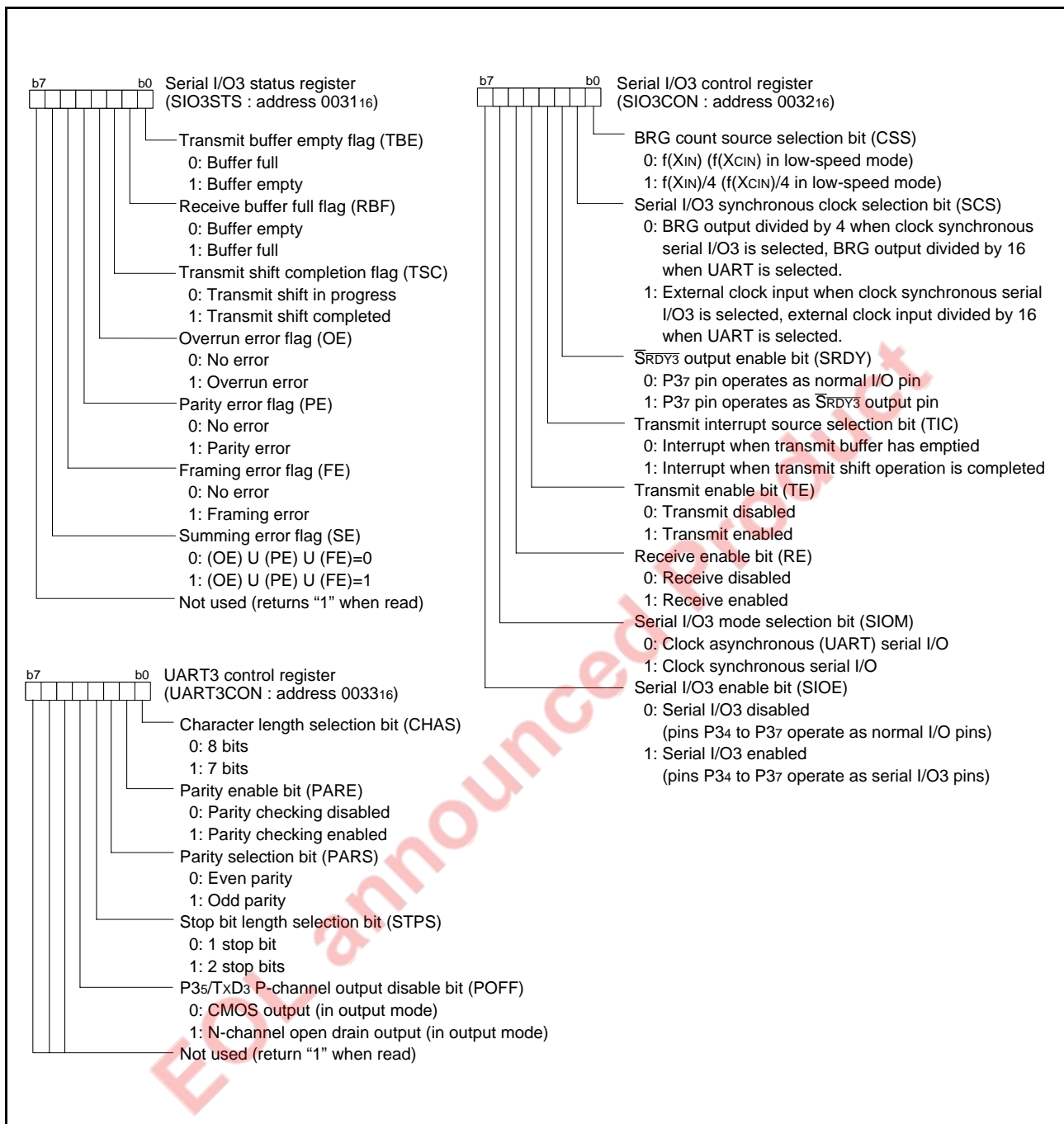


Fig 45. Structure of serial I/O3 control registers

**<Notes concerning serial I/O3>**

## 1. Notes when selecting clock synchronous serial I/O

## 1.1 Stop of transmission operation

## • Note

Clear the serial I/O3 enable bit and the transmit enable bit to “0” (serial I/O and transmit disabled).

## • Reason

Since transmission is not stopped and the transmission circuit is not initialized even if only the serial I/O3 enable bit is cleared to “0” (serial I/O disabled), the internal transmission is running (in this case, since pins TXD3, RXD3, SCLK3, and  $\overline{\text{SRDY3}}$  function as I/O ports, the transmission data is not output). When data is written to the transmit buffer register in this state, data starts to be shifted to the transmit shift register. When the serial I/O3 enable bit is set to “1” at this time, the data during internally shifting is output to the TXD3 pin and an operation failure occurs.

## 1.2 Stop of receive operation

## • Note

Clear the receive enable bit to “0” (receive disabled), or clear the serial I/O3 enable bit to “0” (serial I/O disabled).

## 1.3 Stop of transmit/receive operation

## • Note

Clear both the transmit enable bit and receive enable bit to “0” (transmit and receive disabled).

(when data is transmitted and received in the clock synchronous serial I/O mode, any one of data transmission and reception cannot be stopped.)

## • Reason

In the clock synchronous serial I/O mode, the same clock is used for transmission and reception. If any one of transmission and reception is disabled, a bit error occurs because transmission and reception cannot be synchronized.

In this mode, the clock circuit of the transmission circuit also operates for data reception. Accordingly, the transmission circuit does not stop by clearing only the transmit enable bit to “0” (transmit disabled). Also, the transmission circuit is not initialized by clearing the serial I/O3 enable bit to “0” (serial I/O disabled) (refer to 1.1).

## 2. Notes when selecting clock asynchronous serial I/O

## 2.1 Stop of transmission operation

## • Note

Clear the transmit enable bit to “0” (transmit disabled). The transmission operation does not stop by clearing the serial I/O3 enable bit to “0”.

## • Reason

Since transmission is not stopped and the transmission circuit is not initialized even if only the serial I/O3 enable bit is cleared to “0” (serial I/O disabled), the internal transmission is running (in this case, since pins TXD3, RXD3, SCLK3, and  $\overline{\text{SRDY3}}$  function as I/O ports, the transmission data is not output). When data is written to the transmit buffer register in this state, data starts to be shifted to the transmit shift register. When the serial I/O3 enable bit is set to “1” at this time, the data during internally shifting is output to the TXD3 pin and an operation failure occurs.

## 2.2 Stop of receive operation

## • Note

Clear the receive enable bit to “0” (receive disabled).

## 2.3 Stop of transmit/receive operation

## • Note 1 (only transmission operation is stopped)

Clear the transmit enable bit to “0” (transmit disabled). The transmission operation does not stop by clearing the serial I/O3 enable bit to “0”.

## • Reason

Since transmission is not stopped and the transmission circuit is not initialized even if only the serial I/O3 enable bit is cleared to “0” (serial I/O disabled), the internal transmission is running (in this case, since pins TXD3, RXD3, SCLK3, and  $\overline{\text{SRDY3}}$  function as I/O ports, the transmission data is not output). When data is written to the transmit buffer register in this state, data starts to be shifted to the transmit shift register. When the serial I/O3 enable bit is set to “1” at this time, the data during internally shifting is output to the TXD3 pin and an operation failure occurs.

## • Note 2 (only receive operation is stopped)

Clear the receive enable bit to “0” (receive disabled).

3.  $\overline{\text{SRDY3}}$  output of reception side

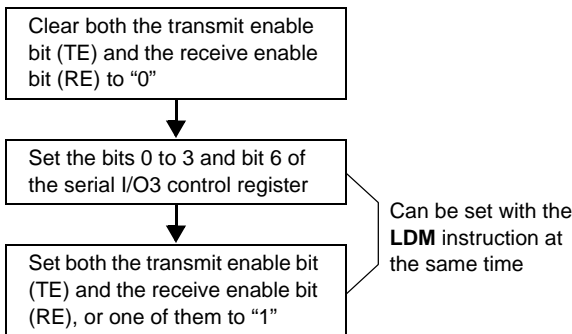
## • Note

When signals are output from the  $\overline{\text{SRDY3}}$  pin on the reception side by using an external clock in the clock synchronous serial I/O mode, set all of the receive enable bit, the  $\overline{\text{SRDY3}}$  output enable bit, and the transmit enable bit to “1” (transmit enabled).

## 4. Setting serial I/O3 control register again

## • Note

Set the serial I/O3 control register again after the transmission and the reception circuits are reset by clearing both the transmit enable bit and the receive enable bit to “0”.



## 5. Data transmission control with referring to transmit shift register completion flag

## • Note

After the transmit data is written to the transmit buffer register, the transmit shift register completion flag changes from “1” to “0” with a delay of 0.5 to 1.5 shift clocks. When data transmission is controlled with referring to the flag after writing the data to the transmit buffer register, note the delay.

## 6. Transmission control when external clock is selected

## • Note

When an external clock is used as the synchronous clock for data transmission, set the transmit enable bit to “1” at “H” of the SCLK3 input level. Also, write data to the transmit buffer register at “H” of the SCLK input level.

## 7. Transmit interrupt request when transmit enable bit is set

## • Note

When using the transmit interrupt, take the following sequence.

1. Set the serial I/O3 transmit interrupt enable bit to “0” (disabled).
2. Set the transmit enable bit to “1”.
3. Set the serial I/O3 transmit interrupt request bit to “0” after 1 or more instruction has executed.
4. Set the serial I/O3 transmit interrupt enable bit to “1” (enabled).

## • Reason

When the transmit enable bit is set to “1”, the transmit buffer empty flag and the transmit shift register shift completion flag are also set to “1”. Therefore, regardless of selecting which timing for the generating of transmit interrupts, the interrupt request is generated and the transmit interrupt request bit is set at this point.

**PULSE WIDTH MODULATION (PWM)**

The 3803 group (Spec.H QzROM version) has PWM functions with an 8-bit resolution, based on a signal that is the clock input X<sub>IN</sub> or that clock input divided by 2 or the clock input X<sub>CIN</sub> or that clock input divided by 2 in low-speed mode.

**• Data Setting**

The PWM output pin also functions as port P56. Set the PWM period by the PWM prescaler, and set the “H” term of output pulse by the PWM register.

If the value in the PWM prescaler is n and the value in the PWM register is m (where n = 0 to 255 and m = 0 to 255):

$$\begin{aligned} \text{PWM period} &= 255 \times (n+1) / f(\text{X}_{\text{IN}}) \\ &= 31.875 \times (n+1) \mu\text{s} \\ &\text{(when } f(\text{X}_{\text{IN}}) = 8 \text{ MHz, count source selection bit} = \text{“0”}) \end{aligned}$$

$$\begin{aligned} \text{Output pulse “H” term} &= \text{PWM period} \times m / 255 \\ &= 0.125 \times (n+1) \times m \mu\text{s} \\ &\text{(when } f(\text{X}_{\text{IN}}) = 8 \text{ MHz, count source selection bit} = \text{“0”}) \end{aligned}$$

**• PWM Operation**

When bit 0 (PWM enable bit) of the PWM control register is set to “1”, operation starts by initializing the PWM output circuit, and pulses are output starting at an “H”.

If the PWM register or PWM prescaler is updated during PWM output, the pulses will change in the cycle after the one in which the change was made.

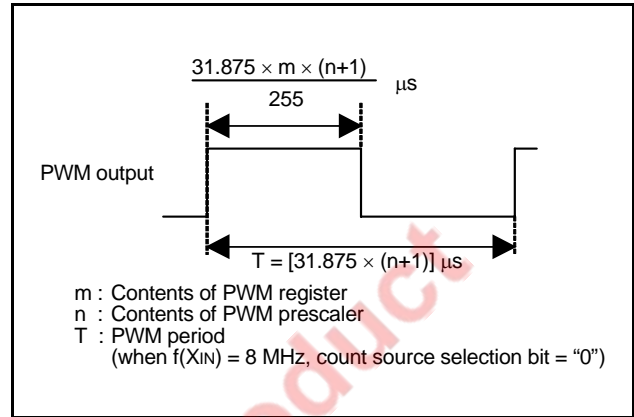


Fig 46. Timing of PWM period

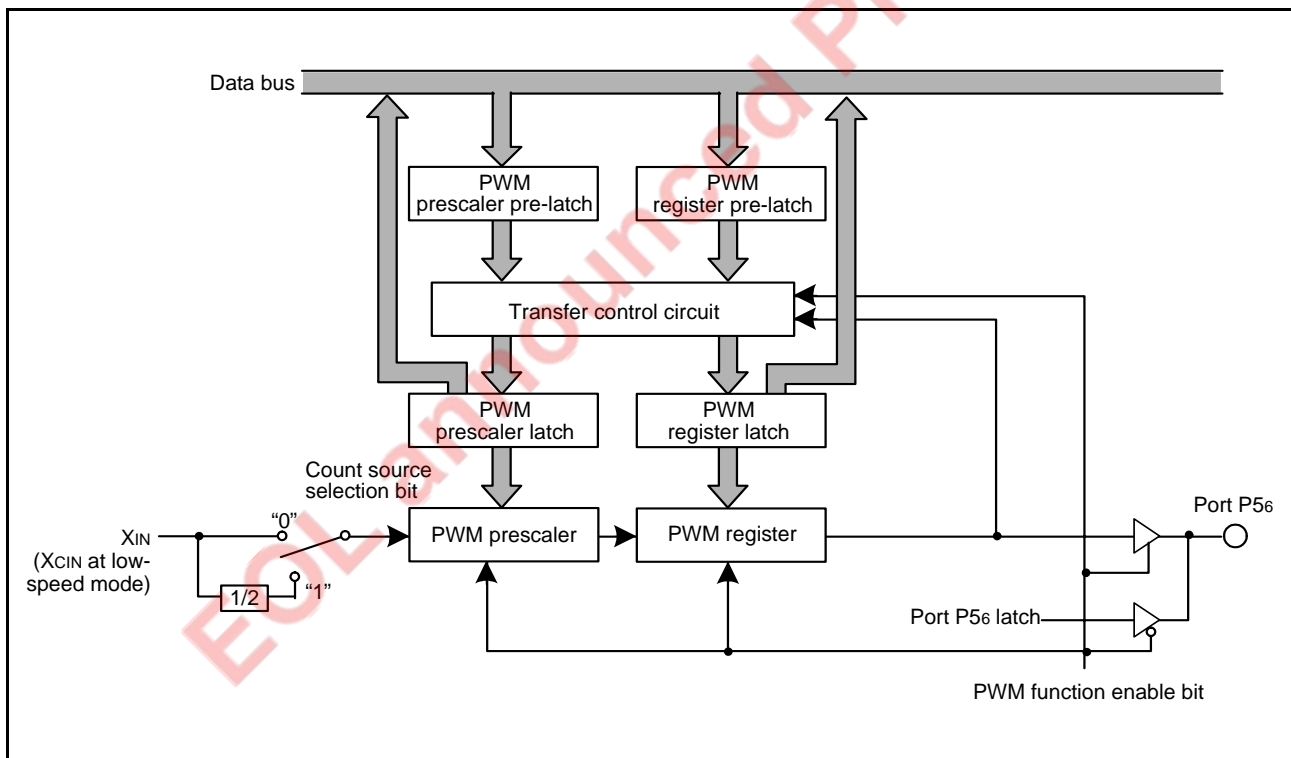


Fig 47. Block diagram of PWM function

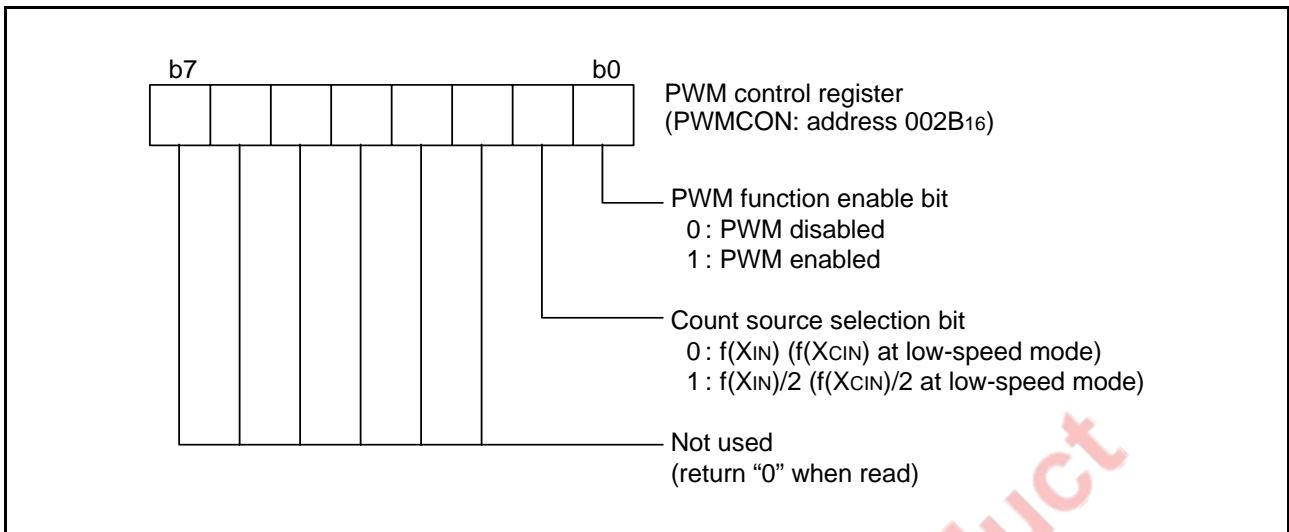


Fig 48. Structure of PWM control register

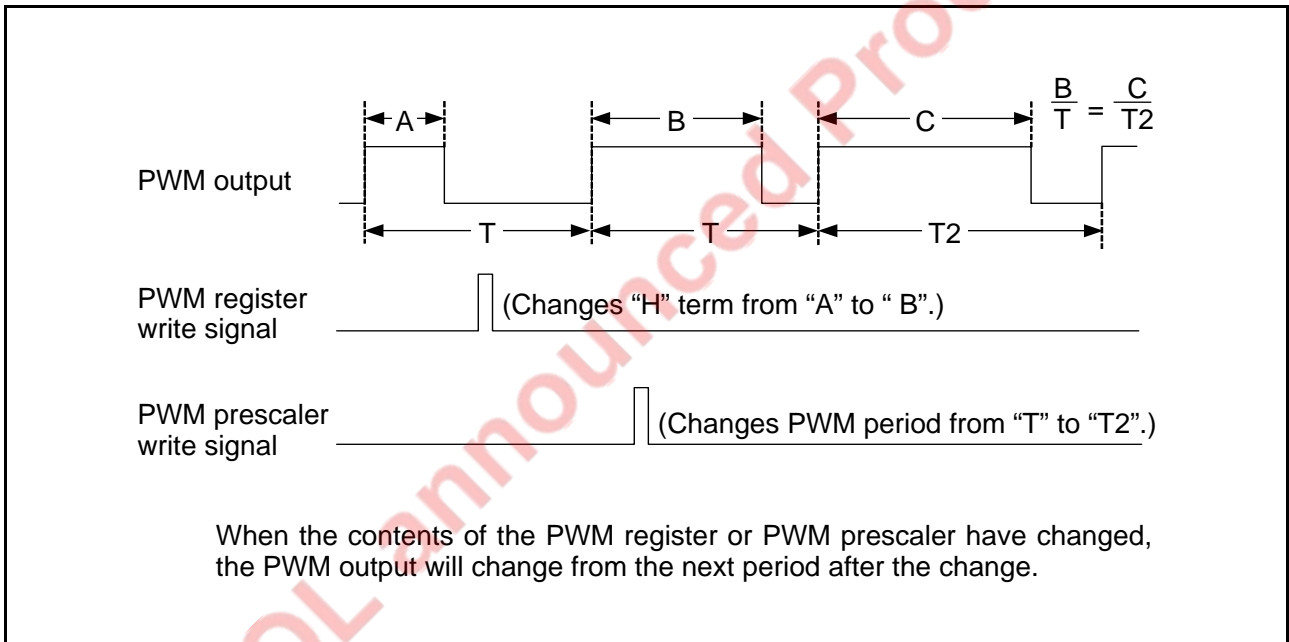


Fig 49. PWM output timing when PWM register or PWM prescaler is changed

**<Notes>**

The PWM starts after the PWM function enable bit is set to enable and "L" level is output from the PWM pin. The length of this "L" level output is as follows:

$$\frac{n+1}{2 \times f(X_{IN})} \text{ sec} \quad (\text{Count source selection bit} = 0, \text{ where } n \text{ is the value set in the prescaler})$$

$$\frac{n+1}{f(X_{IN})} \text{ sec} \quad (\text{Count source selection bit} = 1, \text{ where } n \text{ is the value set in the prescaler})$$



**A/D CONVERTER (successive approximation type)**

**[AD Conversion Register 1, 2 (AD1, AD2)] 0035<sub>16</sub>, 0038<sub>16</sub>**

The AD conversion register is a read-only register that stores the result of an A/D conversion. When reading this register during an A/D conversion, the previous conversion result is read.

Bit 7 of the AD conversion register 2 is the conversion mode selection bit. When this bit is set to “0”, the A/D converter becomes the 10-bit A/D mode. When this bit is set to “1”, that becomes the 8-bit A/D mode. The conversion result of the 8-bit A/D mode is stored in the AD conversion register 1. As for 10-bit A/D mode, not only 10-bit reading but also only high-order 8-bit reading of conversion result can be performed by selecting the reading procedure of the AD conversion registers 1, 2 after A/D conversion is completed (in Figure.51).

As for 10-bit A/D mode, the 8-bit reading inclined to MSB is performed when reading the AD converter register 1 after A/D conversion is started; and when the AD converter register 1 is read after reading the AD converter register 2, the 8-bit reading inclined to LSB is performed.

**[AD/DA Control Register (ADCON)] 0034<sub>16</sub>**

The AD/DA control register controls the A/D conversion process. Bits 0 to 2 and bit 4 select a specific analog input pin. Bit 3 signals the completion of an A/D conversion. The value of this bit remains at “0” during an A/D conversion, and changes to “1” when an A/D conversion ends. Writing “0” to this bit starts the A/D conversion.

**• Comparison Voltage Generator**

The comparison voltage generator divides the voltage between AVSS and VREF into 1024, and that outputs the comparison voltage in the 10-bit A/D mode (256 division in 8-bit A/D mode). The A/D converter successively compares the comparison voltage Vref in each mode, dividing the VREF voltage (see below), with the input voltage.

- 10-bit A/D mode (10-bit reading)

$$V_{ref} = \frac{V_{REF}}{1024} \times n \quad (n = 0 - 1023)$$

- 10-bit A/D mode (8-bit reading)

$$V_{ref} = \frac{V_{REF}}{256} \times n \quad (n = 0 - 255)$$

- 8-bit A/D mode

$$V_{ref} = \frac{V_{REF}}{256} \times (n - 0.5) \quad (n = 1 - 255)$$

$$= 0 \quad (n = 0)$$

**• Channel Selector**

The channel selector selects one of ports P67/AN7 to P60/AN0 or P07/AN15 to P00/AN8, and inputs the voltage to the comparator.

**• Comparator and Control Circuit**

The comparator and control circuit compares an analog input voltage with the comparison voltage, and then stores the result in the AD conversion registers 1, 2. When an A/D conversion is completed, the control circuit sets the AD conversion completion bit and the AD interrupt request bit to “1”.

Note that because the comparator consists of a capacitor coupling, set f(XIN) to 500 kHz or more during an A/D conversion.

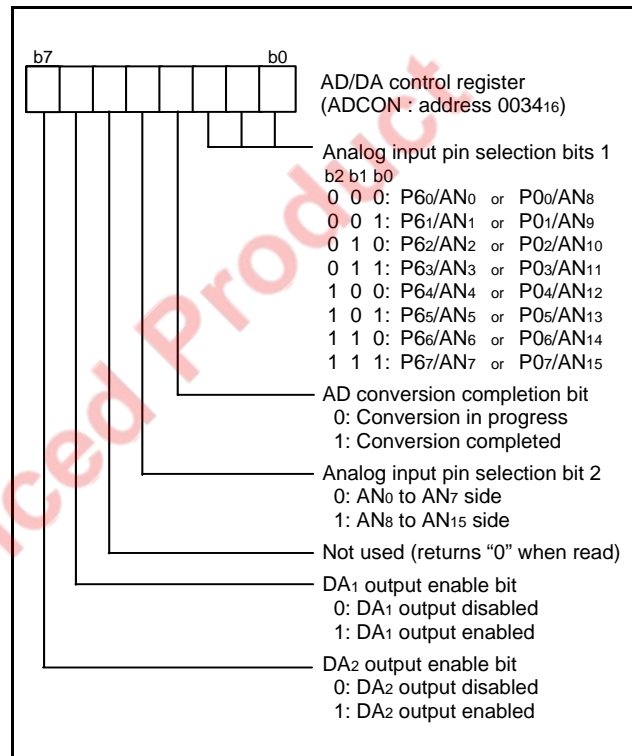


Fig 50. Structure of AD/DA control register

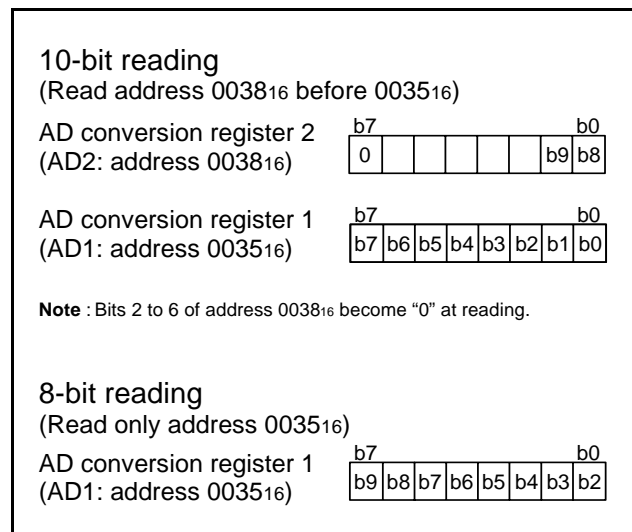


Fig 51. Structure of 10-bit A/D mode reading



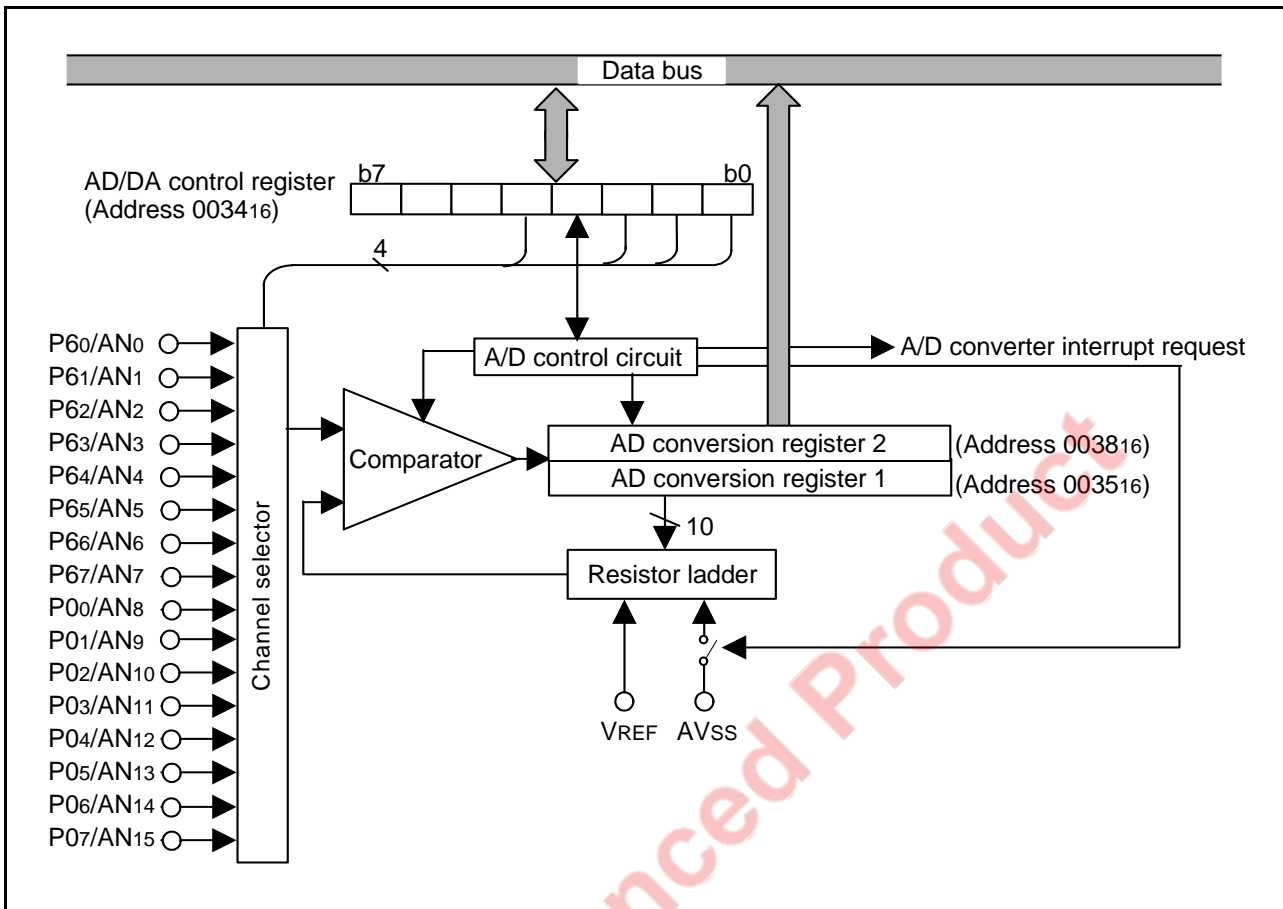


Fig 52. Block diagram of A/D converter

EOL announced Product

**D/A CONVERTER**

The 3803 group (Spec.H) has two internal D/A converters (DA1 and DA2) with 8-bit resolution.

The D/A conversion is performed by setting the value in each DA conversion register. The result of D/A conversion is output from the DA1 or DA2 pin by setting the DA output enable bit to "1".

When using the D/A converter, the corresponding port direction register bit (P30/DA1 or P31/DA2) must be set to "0" (input status).

The output analog voltage V is determined by the value n (decimal notation) in the DA conversion register as follows:

$$V = V_{REF} \times n/256 \quad (n = 0 \text{ to } 255)$$

Where  $V_{REF}$  is the reference voltage.

At reset, the DA conversion registers are cleared to "0016", and the DA output enable bits are cleared to "0", and the P30/DA1 and P31/DA2 pins become high impedance.

The DA output does not have buffers. Accordingly, connect an external buffer when driving a low-impedance load.

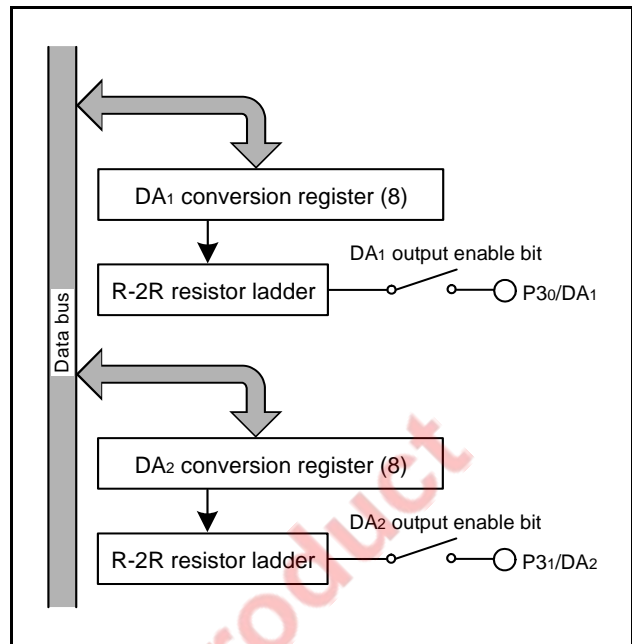


Fig 53. Block diagram of D/A converter

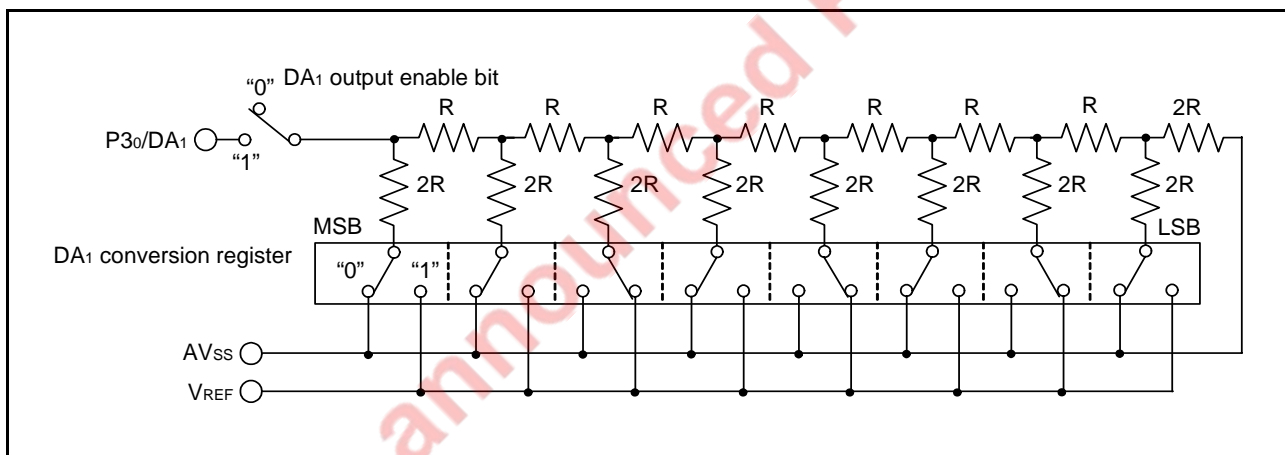


Fig 54. Equivalent connection circuit of D/A converter (DA1)

**WATCHDOG TIMER**

The watchdog timer gives a mean of returning to the reset status when a program cannot run on a normal loop (for example, because of a software run-away). The watchdog timer consists of an 8-bit watchdog timer L and an 8-bit watchdog timer H.

**• Watchdog Timer Initial Value**

Watchdog timer L is set to “FF16” and watchdog timer H is set to “FF16” by writing to the watchdog timer control register (address 001E16) or at a reset. Any write instruction that causes a write signal can be used, such as the STA, LDM, CLB, etc. Data can only be written to bits 6 and 7 of the watchdog timer control register. Regardless of the value written to bits 0 to 5, the above-mentioned value will be set to each timer.

**• Watchdog Timer Operations**

The watchdog timer stops at reset and starts to count down by writing to the watchdog timer control register (address 001E16). An internal reset occurs at an underflow of the watchdog timer H. The reset is released after waiting for a reset release time and the program is processed from the reset vector address. Accordingly, programming is usually performed so that writing to the watchdog timer control register may be started before an underflow. If writing to the watchdog timer control register is not performed once, the watchdog timer does not function.

**• Bit 6 of Watchdog Timer Control Register**

- When bit 6 of the watchdog timer control register is “0”, the MCU enters the stop mode by execution of STP instruction. Just after releasing the stop mode, the watchdog timer restarts counting(Note.). When executing the WIT instruction, the watchdog timer does not stop.
- When bit 6 is “1”, execution of STP instruction causes an internal reset. When this bit is set to “1” once, it cannot be rewritten to “0” by program. Bit 6 is “0” at reset.

The following shows the period between the write execution to the watchdog timer control register and the underflow of watchdog timer H.

Bit 7 of the watchdog timer control register is “0”:  
 when XCIN = 32.768 kHz; 32 s  
 when XIN = 16 MHz; 65.536 ms

Bit 7 of the watchdog timer control register is “1”:  
 when XCIN = 32.768 kHz; 125 ms  
 when XIN = 16 MHz; 256 μs

Note. The watchdog timer continues to count even while waiting for a stop release. Therefore, make sure that watchdog timer H does not underflow during this period.

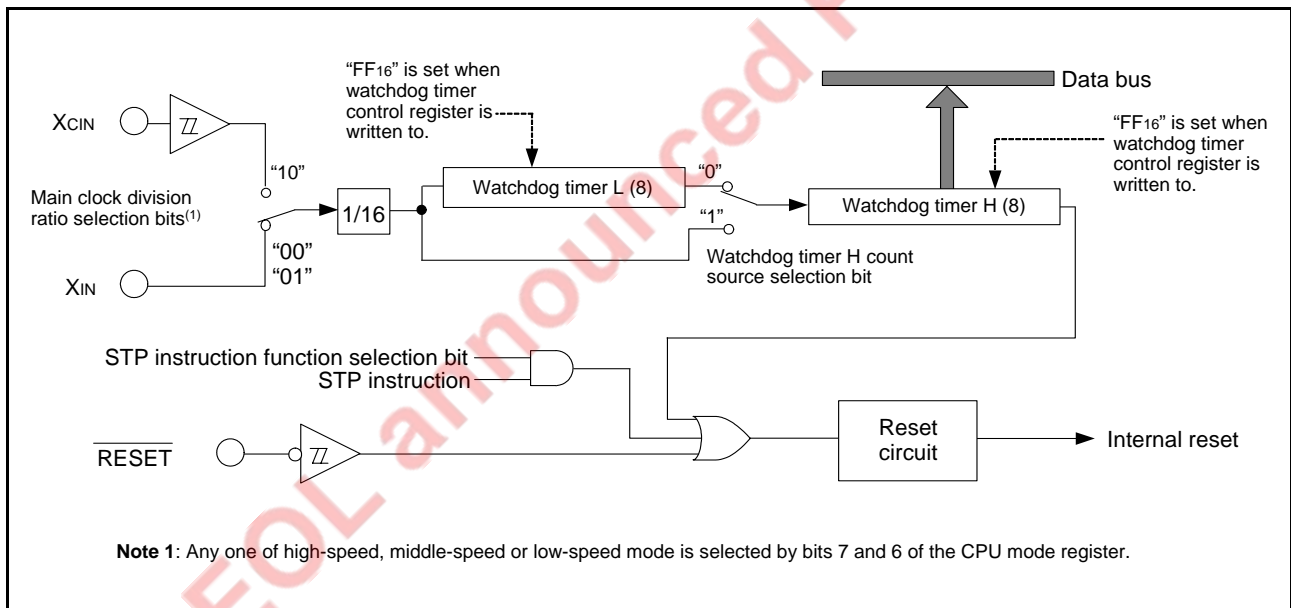


Fig 55. Block diagram of Watchdog timer

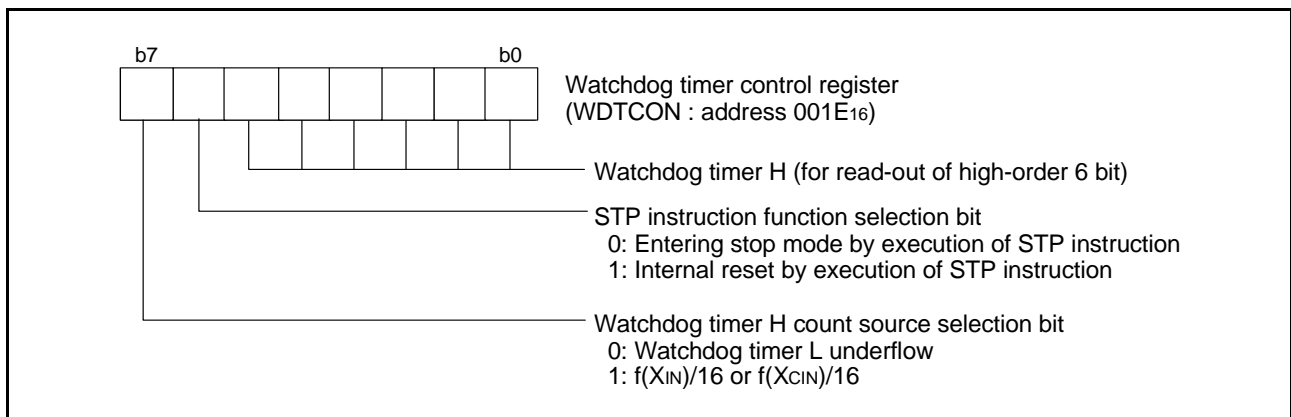


Fig 56. Structure of Watchdog timer control register

**RESET CIRCUIT**

To reset the microcomputer,  $\overline{\text{RESET}}$  pin should be held at an “L” level for 16 cycles or more of  $X_{\text{IN}}$ . Then the  $\overline{\text{RESET}}$  pin is returned to an “H” level (the power source voltage should be between 1.8 V and 5.5 V (between 2.7 V to 5.5 V for flash memory version), and the oscillation should be stable), reset is released. After the reset is completed, the program starts from the address contained in address FFFD<sub>16</sub> (high-order byte) and address FFFC<sub>16</sub> (low-order byte). Make sure that the reset input voltage for the mask ROM version is less than 0.29 V for  $V_{\text{CC}}$  of 1.8 V.

In the flash memory version, input to the  $\overline{\text{RESET}}$  pin in the following procedure.

- When power source is stabilized
  - (1) Input “L” level to  $\overline{\text{RESET}}$  pin.
  - (2) Input “L” level for 16 cycles or more to  $X_{\text{IN}}$  pin.
  - (3) Input “H” level to  $\overline{\text{RESET}}$  pin.
- At power-on
  - (1) Input “L” level to  $\overline{\text{RESET}}$  pin.
  - (2) Increase the power source voltage to 2.7 V.
  - (3) Wait for  $t_{\text{d(P-R)}}$  until internal power source has stabilized.
  - (4) Input “L” level for 16 cycles or more to  $X_{\text{IN}}$  pin.
  - (5) Input “H” level to  $\overline{\text{RESET}}$  pin.

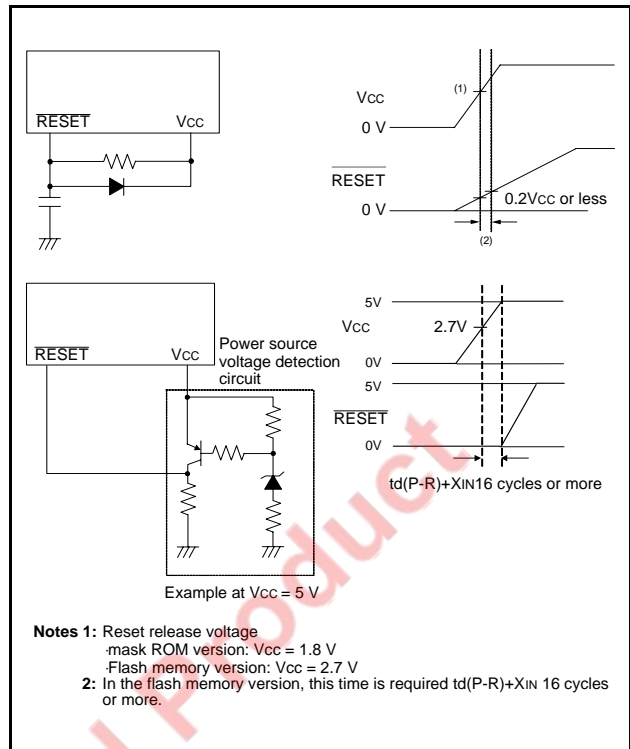


Fig 57. Reset circuit example

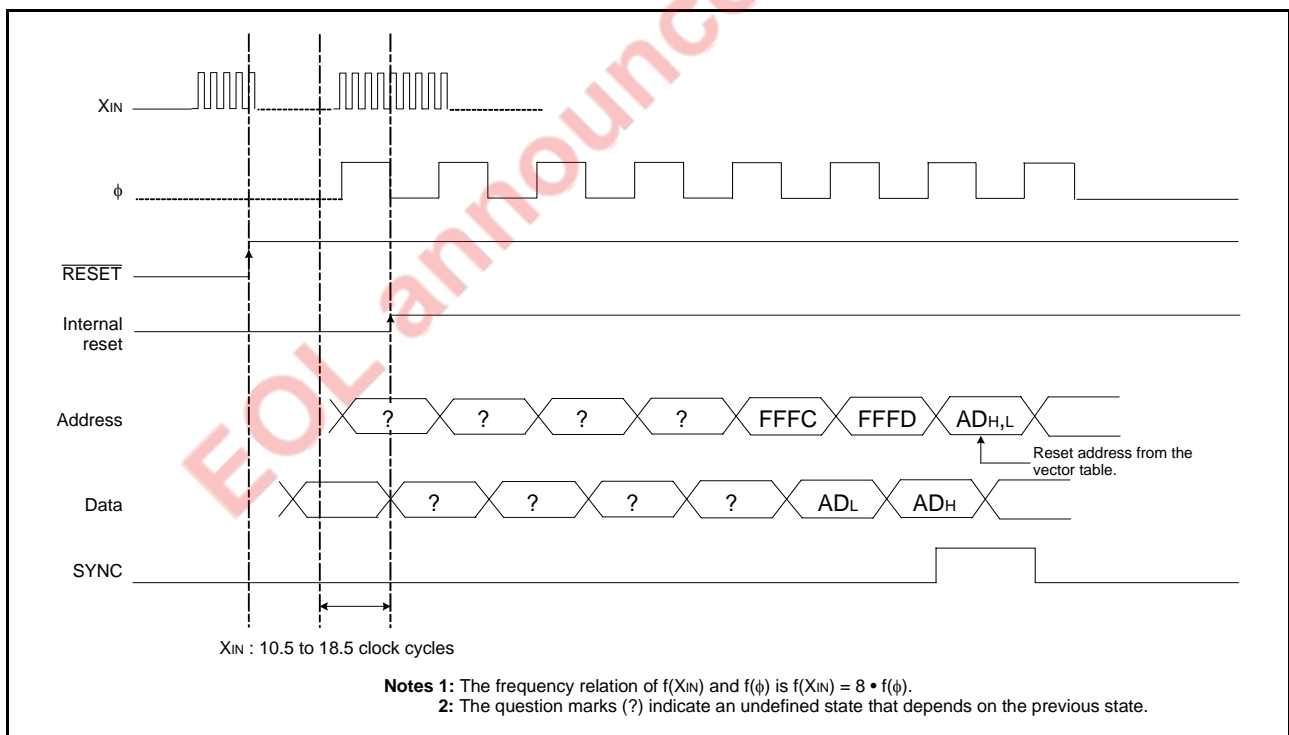


Fig 58. Reset sequence

	Address	Register contents		Address	Register contents
(1) Port P0 (P0)	0000 <sub>16</sub>	00 <sub>16</sub>	(34) Timer Z (low-order) (TZL)	0028 <sub>16</sub>	FF <sub>16</sub>
(2) Port P0 direction register (P0D)	0001 <sub>16</sub>	00 <sub>16</sub>	(35) Timer Z (high-order) (TZH)	0029 <sub>16</sub>	FF <sub>16</sub>
(3) Port P1 (P1)	0002 <sub>16</sub>	00 <sub>16</sub>	(36) Timer Z mode register (TZM)	002A <sub>16</sub>	00 <sub>16</sub>
(4) Port P1 direction register (P1D)	0003 <sub>16</sub>	00 <sub>16</sub>	(37) PWM control register (PWMCON)	002B <sub>16</sub>	00 <sub>16</sub>
(5) Port P2 (P2)	0004 <sub>16</sub>	00 <sub>16</sub>	(38) PWM prescaler (PREPWM)	002C <sub>16</sub>	X X X X X X X X
(6) Port P2 direction register (P2D)	0005 <sub>16</sub>	00 <sub>16</sub>	(39) PWM register (PWM)	002D <sub>16</sub>	X X X X X X X X
(7) Port P3 (P3)	0006 <sub>16</sub>	00 <sub>16</sub>	(40) Baud rate generator 3 (BRG3)	002F <sub>16</sub>	X X X X X X X X
(8) Port P3 direction register (P3D)	0007 <sub>16</sub>	00 <sub>16</sub>	(41) Transmit/Receive buffer register 3 (TB3/RB3)	0030 <sub>16</sub>	X X X X X X X X
(9) Port P4 (P4)	0008 <sub>16</sub>	00 <sub>16</sub>	(42) Serial I/O3 status register (SIO3STS)	0031 <sub>16</sub>	1 0 0 0 0 0 0 0
(10) Port P4 direction register (P4D)	0009 <sub>16</sub>	00 <sub>16</sub>	(43) Serial I/O3 control register (SIO3CON)	0032 <sub>16</sub>	00 <sub>16</sub>
(11) Port P5 (P5)	000A <sub>16</sub>	00 <sub>16</sub>	(44) UART3 control register (UART3CON)	0033 <sub>16</sub>	1 1 1 0 0 0 0 0
(12) Port P5 direction register (P5D)	000B <sub>16</sub>	00 <sub>16</sub>	(45) AD/DA control register (ADCON)	0034 <sub>16</sub>	0 0 0 0 1 0 0 0
(13) Port P6 (P6)	000C <sub>16</sub>	00 <sub>16</sub>	(46) AD conversion register 1 (AD1)	0035 <sub>16</sub>	X X X X X X X X
(14) Port P6 direction register (P6D)	000D <sub>16</sub>	00 <sub>16</sub>	(47) DA1 conversion register (DA1)	0036 <sub>16</sub>	00 <sub>16</sub>
(15) Timer 12, X count source selection register (T12XCSS)	000E <sub>16</sub>	0 0 1 1 0 0 1 1	(48) DA2 conversion register (DA2)	0037 <sub>16</sub>	00 <sub>16</sub>
(16) Timer Y, Z count source selection register (TYZCSS)	000F <sub>16</sub>	0 0 1 1 0 0 1 1	(49) AD conversion register 2 (AD2)	0038 <sub>16</sub>	0 0 0 0 0 0 X X
(17) MISRG	0010 <sub>16</sub>	00 <sub>16</sub>	(50) Interrupt source selection register (INTSEL)	0039 <sub>16</sub>	00 <sub>16</sub>
(18) Transmit/Receive buffer register 1 (TB1/RB1)	0018 <sub>16</sub>	X X X X X X X X	(51) Interrupt edge selection register (INTEDGE)	003A <sub>16</sub>	00 <sub>16</sub>
(19) Serial I/O1 status register (SIO1STS)	0019 <sub>16</sub>	1 0 0 0 0 0 0 0	(52) CPU mode register (CPUM)	003B <sub>16</sub>	0 1 0 0 1 0 0 0
(20) Serial I/O1 control register (SIO1CON)	001A <sub>16</sub>	00 <sub>16</sub>	(53) Interrupt request register 1 (IREQ1)	003C <sub>16</sub>	00 <sub>16</sub>
(21) UART1 control register (UART1CON)	001B <sub>16</sub>	1 1 1 0 0 0 0 0	(54) Interrupt request register 2 (IREQ2)	003D <sub>16</sub>	00 <sub>16</sub>
(22) Baud rate generator 1 (BRG1)	001C <sub>16</sub>	X X X X X X X X	(55) Interrupt control register 1 (ICON1)	003E <sub>16</sub>	00 <sub>16</sub>
(23) Serial I/O2 control register (SIO2CON)	001D <sub>16</sub>	00 <sub>16</sub>	(56) Interrupt control register 2 (ICON2)	003F <sub>16</sub>	00 <sub>16</sub>
(24) Watchdog timer control register (WDTCON)	001E <sub>16</sub>	0 0 1 1 1 1 1 1	(57) Flash memory control register 0 (FMCR0)	0FE0 <sub>16</sub>	0 0 0 0 0 0 0 1
(25) Serial I/O2 register (SIO2)	001F <sub>16</sub>	X X X X X X X X	(58) Flash memory control register 1 (FMCR1)	0FE1 <sub>16</sub>	0 1 0 0 0 0 0 0
(26) Prescaler 12 (PRE12)	0020 <sub>16</sub>	FF <sub>16</sub>	(59) Flash memory control register 2 (FMCR2)	0FE2 <sub>16</sub>	0 1 0 0 0 1 0 1
(27) Timer 1 (T1)	0021 <sub>16</sub>	01 <sub>16</sub>	(60) Port P0 pull-up control register (PULL0)	0FF0 <sub>16</sub>	00 <sub>16</sub>
(28) Timer 2 (T2)	0022 <sub>16</sub>	FF <sub>16</sub>	(61) Port P1 pull-up control register (PULL1)	0FF1 <sub>16</sub>	00 <sub>16</sub>
(29) Timer XY mode register (TM)	0023 <sub>16</sub>	00 <sub>16</sub>	(62) Port P2 pull-up control register (PULL2)	0FF2 <sub>16</sub>	00 <sub>16</sub>
(30) Prescaler X (PREX)	0024 <sub>16</sub>	FF <sub>16</sub>	(63) Port P3 pull-up control register (PULL3)	0FF3 <sub>16</sub>	00 <sub>16</sub>
(31) Timer X (TX)	0025 <sub>16</sub>	FF <sub>16</sub>	(64) Port P4 pull-up control register (PULL4)	0FF4 <sub>16</sub>	00 <sub>16</sub>
(32) Prescaler Y (PREY)	0026 <sub>16</sub>	FF <sub>16</sub>	(65) Port P5 pull-up control register (PULL5)	0FF5 <sub>16</sub>	00 <sub>16</sub>
(33) Timer Y (TY)	0027 <sub>16</sub>	FF <sub>16</sub>	(66) Port P6 pull-up control register (PULL6)	0FF6 <sub>16</sub>	00 <sub>16</sub>
			(67) Processor status register (PS)		X X X X X X X X
			(68) Program counter (PC <sub>H</sub> )		FFF <sub>16</sub> contents
				(PC <sub>L</sub> )	FFC <sub>16</sub> contents

**Note** : X: Not fixed.  
 Since the initial values for other than above mentioned registers and RAM contents are indefinite at reset, they must be set.

Fig 59. Internal status at reset

## CLOCK GENERATING CIRCUIT

The 3803 group (Spec.H) has two built-in oscillation circuits: main clock XIN-XOUT oscillation circuit and sub clock XCIN-XCOUT oscillation circuit. An oscillation circuit can be formed by connecting a resonator between XIN and XOUT (XCIN and XCOUT). Use the circuit constants in accordance with the resonator manufacturer's recommended values. No external resistor is needed between XIN and XOUT since a feed-back resistor exists on-chip. (An external feed-back resistor may be needed depending on conditions.) However, an external feed-back resistor is needed between XCIN and XCOUT. Immediately after power on, only the XIN oscillation circuit starts oscillating, and XCIN and XCOUT pins function as I/O ports.

### • Frequency Control

#### (1) Middle-speed mode

The internal clock  $\phi$  is the frequency of XIN divided by 8. After reset is released, this mode is selected.

#### (2) High-speed mode

The internal clock  $\phi$  is half the frequency of XIN.

#### (3) Low-speed mode

The internal clock  $\phi$  is half the frequency of XCIN.

#### (4) Low power dissipation mode

The low power consumption operation can be realized by stopping the main clock XIN in low-speed mode. To stop the main clock, set bit 5 of the CPU mode register to "1". When the main clock XIN is restarted (by setting the main clock stop bit to "0"), set sufficient time for oscillation to stabilize.

The sub-clock XCIN-XCOUT oscillating circuit can not directly input clocks that are generated externally. Accordingly, make sure to cause an external resonator to oscillate.

## Oscillation Control

### (1) Stop mode

If the STP instruction is executed, the internal clock  $\phi$  stops at an "H" level, and XIN and XCIN oscillators stop. When the oscillation stabilizing time set after STP instruction released bit (bit 0 of address 0010<sub>16</sub>) is "0", the prescaler 12 is set to "FF<sub>16</sub>" and timer 1 is set to "01<sub>16</sub>". When the oscillation stabilizing time set after STP instruction released bit is "1", set the sufficient time for oscillation of used oscillator to stabilize since nothing is set to the prescaler 12 and timer 1.

After STP instruction is released, the input of the prescaler 12 is connected to count source which had set at executing the STP instruction, and the output of the prescaler 12 is connected to timer 1. Oscillator restarts when an external interrupt is received, but the internal clock  $\phi$  is not supplied to the CPU (remains at "H") until timer 1 underflows. The internal clock  $\phi$  is supplied for the first time, when timer 1 underflows. This ensures time for the clock oscillation using the ceramic resonators to be stabilized. When the oscillator is restarted by reset, apply "L" level to the RESET pin until the oscillation is stable since a wait time will not be generated.

### (2) Wait mode

If the WIT instruction is executed, the internal clock  $\phi$  stops at an "H" level, but the oscillator does not stop. The internal clock  $\phi$  restarts at reset or when an interrupt is received. Since the oscillator does not stop, normal operation can be started immediately after the clock is restarted.

To ensure that the interrupts will be received to release the STP or WIT state, their interrupt enable bits must be set to "1" before executing of the STP or WIT instruction.

When releasing the STP state, the prescaler 12 and timer 1 will start counting the clock XIN divided by 16. Accordingly, set the timer 1 interrupt enable bit to "0" before executing the STP instruction.

### <Notes>

- If you switch the mode between middle/high-speed and low-speed, stabilize both XIN and XCIN oscillations. The sufficient time is required for the sub clock to stabilize, especially immediately after power on and at returning from stop mode. When switching the mode between middle/high-speed and low-speed, set the frequency on condition that  $f(XIN) > 3 \times f(XCIN)$ .
- When using the quartz-crystal oscillator of high frequency, such as 16 MHz etc., it may be necessary to select a specific oscillator with the specification demanded.
- When using the oscillation stabilizing time set after STP instruction released bit set to "1", evaluate time to stabilize oscillation of the used oscillator and set the value to the timer 1 and prescaler 12.

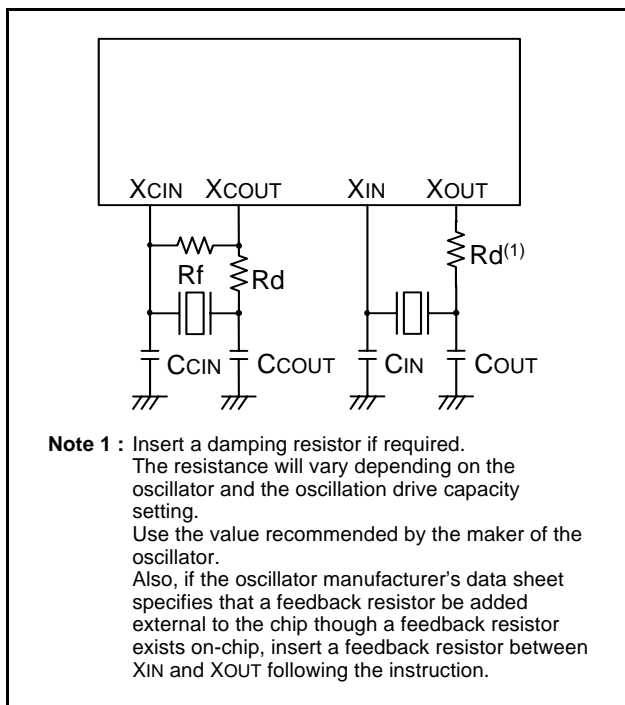


Fig 60. Ceramic resonator circuit

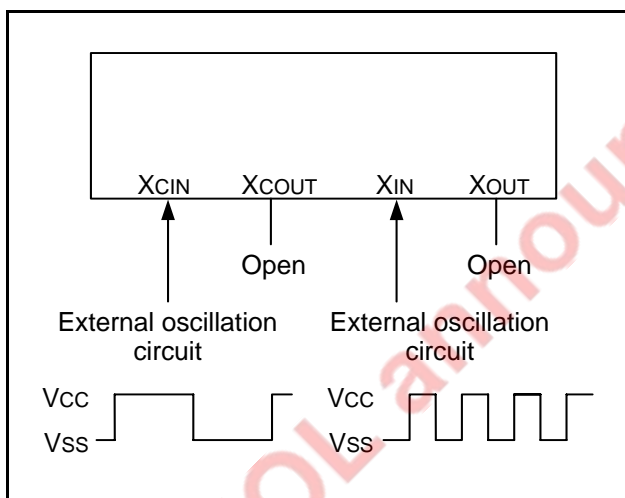


Fig 61. External clock input circuit

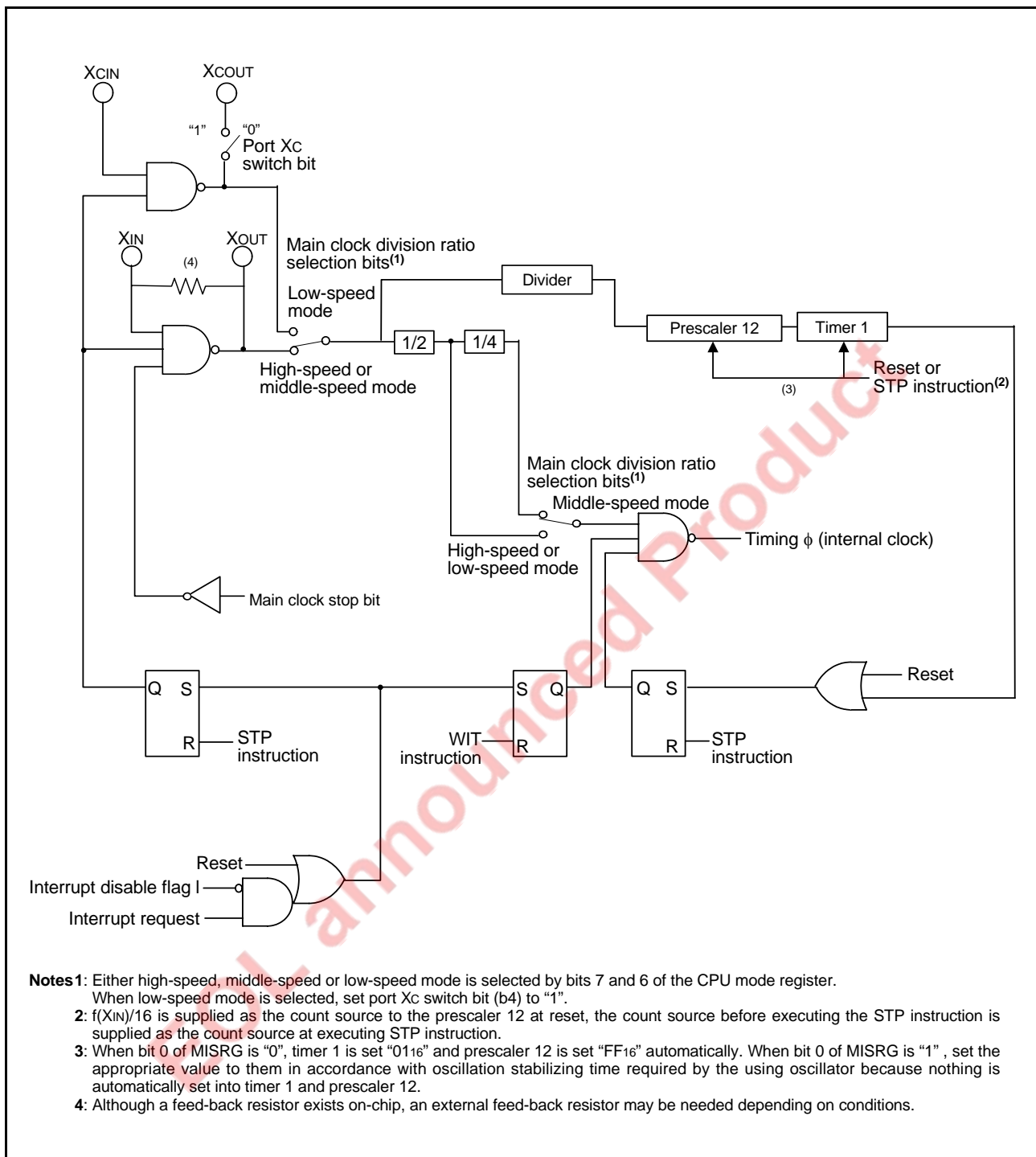


Fig 62. System clock generating circuit block diagram (Single-chip mode)



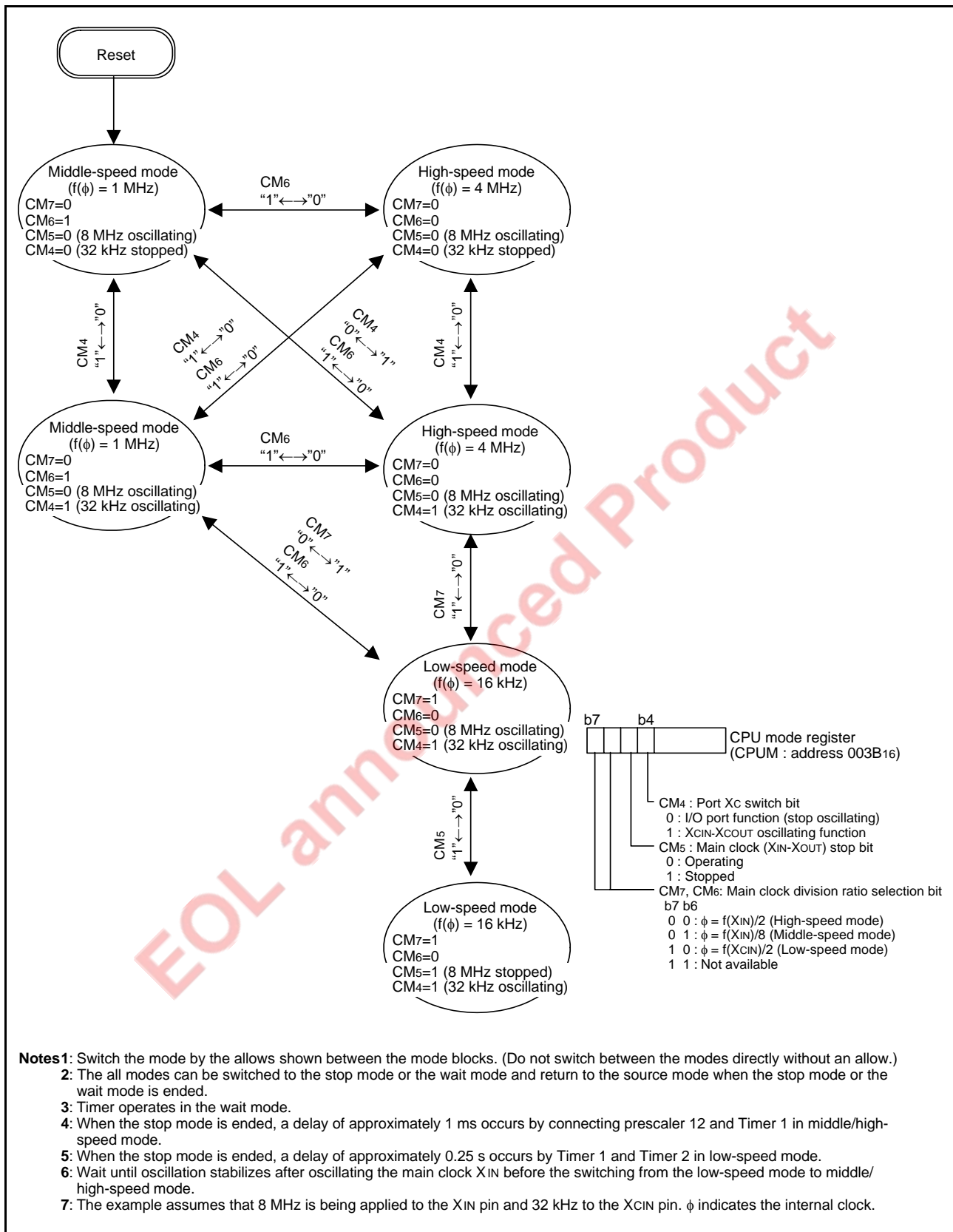


Fig 63. State transitions of system clock

**FLASH MEMORY MODE**

The 3803 group (Spec.H)'s flash memory version has the flash memory that can be rewritten with a single power source. For this flash memory, three flash memory modes are available in which to read, program, and erase: the parallel I/O and standard serial I/O modes in which the flash memory can be manipulated using a programmer and the CPU rewrite mode in which the flash memory can be manipulated by the Central Processing Unit (CPU).

This flash memory version has some blocks on the flash memory as shown in Figure 64 and each block can be erased.

In addition to the ordinary User ROM area to store the MCU operation control program, the flash memory has a Boot ROM area that is used to store a program to control rewriting in CPU rewrite and standard serial I/O modes. This Boot ROM area has had a standard serial I/O mode control program stored in it when shipped from the factory. However, the user can write a rewrite control program in this area that suits the user's application system. This Boot ROM area can be rewritten in only parallel I/O mode.

**Summary**

Table 11 lists the summary of the 3803 Group (Spec.H) flash memory version.

Table 11 Summary of 3803 group (Spec.H)'s flash memory version

Item		Specifications
Power source voltage (Vcc)		VCC = 2.7 to 5.5 V
Program/Erase VPP voltage (VPP)		VCC = 2.7 to 5.5 V
Flash memory mode		3 modes; Parallel I/O mode, Standard serial I/O mode, CPU rewrite mode
Erase block division	User ROM area/Data ROM area	Refer to Figure.64.
	Boot ROM area (1)	Not divided (4K bytes)
Program method		In units of bytes
Erase method		Block erase
Program/Erase control method		Program/Erase control by software command
Number of commands		5 commands
Number of program/Erase times		100
ROM code protection		Available in parallel I/O mode and standard serial I/O mode

**NOTE:**

1. The Boot ROM area has had a standard serial I/O mode control program stored in it when shipped from the factory. This Boot ROM area can be erased and written in only parallel I/O mode.

### Boot Mode

The control program for CPU rewrite mode must be written into the User ROM or Boot ROM area in parallel I/O mode beforehand. (If the control program is written into the Boot ROM area, the standard serial I/O mode becomes unusable.) See Figure.64 for details about the Boot ROM area.

Normal microcomputer mode is entered when the microcomputer is reset with pulling CNVss pin low. In this case, the CPU starts operating using the control program in the User ROM area.

When the microcomputer is reset and the CNVss pin high after pulling the P45/TxD1 pin and CNVss pin high, the CPU starts operating (start address of program is stored into addresses FFFC<sub>16</sub> and FFFD<sub>16</sub>) using the control program in the Boot ROM area. This mode is called the "Boot mode". Also, User ROM area can be rewritten using the control program in the Boot ROM area.

### Block Address

Block addresses refer to the maximum address of each block. These addresses are used in the block erase command.

### CPU Rewrite Mode

In CPU rewrite mode, the internal flash memory can be operated on (read, program, or erase) under control of the Central Processing Unit (CPU).

In CPU rewrite mode, only the User ROM area shown in Figure.64 can be rewritten; the Boot ROM area cannot be rewritten. Make sure the program and block erase commands are issued for only the User ROM area and each block area.

The control program for CPU rewrite mode can be stored in either User ROM or Boot ROM area. In the CPU rewrite mode, because the flash memory cannot be read from the CPU, the rewrite control program must be transferred to internal RAM area before it can be executed.

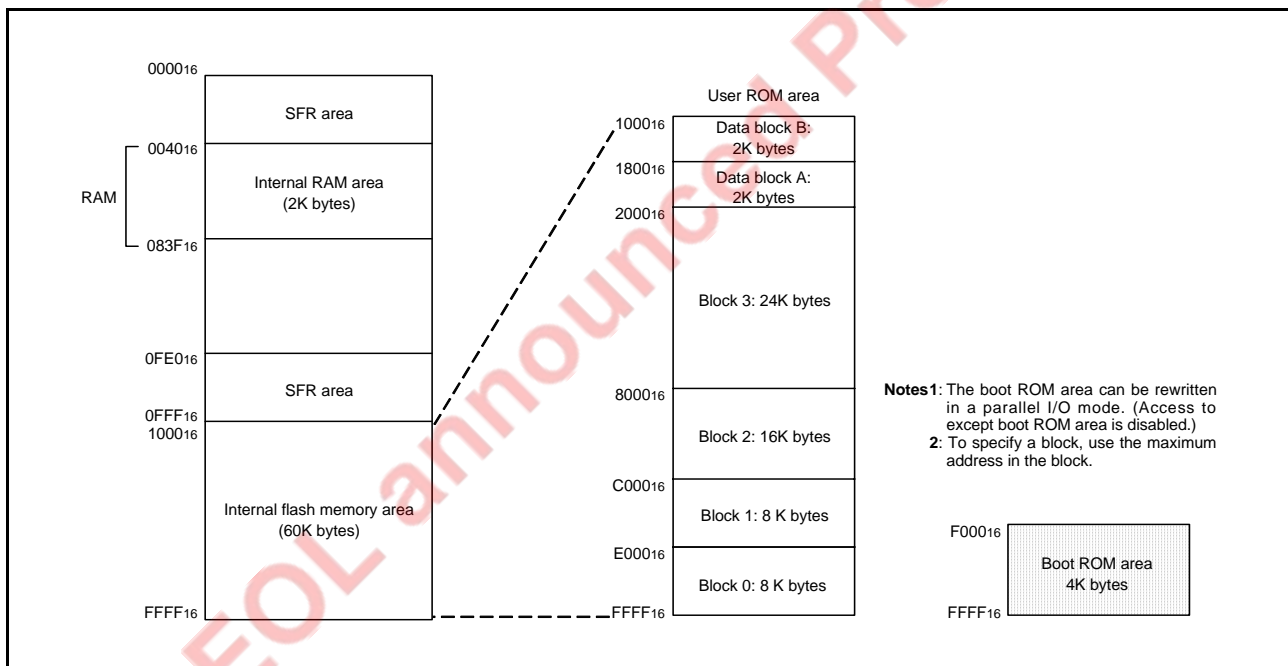


Fig 64. Block diagram of built-in flash memory

## Outline Performance

CPU rewrite mode is usable in the single-chip or Boot mode. The only User ROM area can be rewritten.

In CPU rewrite mode, the CPU erases, programs and reads the internal flash memory as instructed by software commands. This rewrite control program must be transferred to internal RAM area before it can be executed.

The MCU enters CPU rewrite mode by setting "1" to the CPU rewrite mode select bit (bit 1 of address 0FE016). Then, software commands can be accepted.

Use software commands to control program and erase operations. Whether a program or erase operation has terminated normally or in error can be verified by reading the status register. Figure.65 shows the flash memory control register 0.

Bit 0 of the flash memory control register 0 is the RY/BY status flag used exclusively to read the operating status of the flash memory. During programming and erase operations, it is "0" (busy). Otherwise, it is "1" (ready).

Bit 1 of the flash memory control register 0 is the CPU rewrite mode select bit. When this bit is set to "1", the MCU enters CPU rewrite mode. And then, software commands can be accepted. In CPU rewrite mode, the CPU becomes unable to access the internal flash memory directly. Therefore, use the control program in the internal RAM for write to bit 1. To set this bit 1 to "1", it is necessary to write "0" and then write "1" in succession to bit 1. The bit can be set to "0" by only writing "0".

Bit 2 of the flash memory control register 0 is the 8 KB user block E/W enable bit. By setting combination of bit 4 of the flash memory control register 2 and this bit as shown in Table 12, E/W is disabled to user block in the CPU rewriting mode.

Bit 3 of the flash memory control register 0 is the flash memory reset bit used to reset the control circuit of internal flash memory. This bit is used when flash memory access has failed. When the CPU rewrite mode select bit is "1", setting "1" for this bit resets the control circuit. To release the reset, it is necessary to set this bit to "0".

Bit 5 of the flash memory control register 0 is the User ROM area select bit and is valid only in the boot mode. Setting this bit to "1" in the boot mode switches an accessible area from the boot ROM area to the user ROM area. To use the CPU rewrite mode in the boot mode, set this bit to "1". To rewrite bit 5, execute the useroriginal reprogramming control software transferred to the internal RAM in advance.

Bit 6 of the flash memory control register 0 is the program status flag. This bit is set to "1" when writing to flash memory is failed. When program error occurs, the block cannot be used.

Bit 7 of the flash memory control register 0 is the erase status flag.

This bit is set to "1" when erasing flash memory is failed. When erase error occurs, the block cannot be used.

Figure.66 shows the flash memory control register 1.

Bit 0 of the flash memory control register 1 is the Erase suspend enable bit. By setting this bit to "1", the erase suspend mode to suspend erase processing temporarily when block erase command is executed can be used. In order to set this bit to "1", writing "0" and "1" in succession to bit 0. In order to set this bit to "0", write "0" only to bit 0.

Bit 1 of the flash memory control register 1 is the erase suspend request bit. By setting this bit to "1" when erase suspend enable bit is "1", the erase processing is suspended.

Bit 6 of the flash memory control register 1 is the erase suspend flag. This bit is cleared to "0" at the flash erasing.

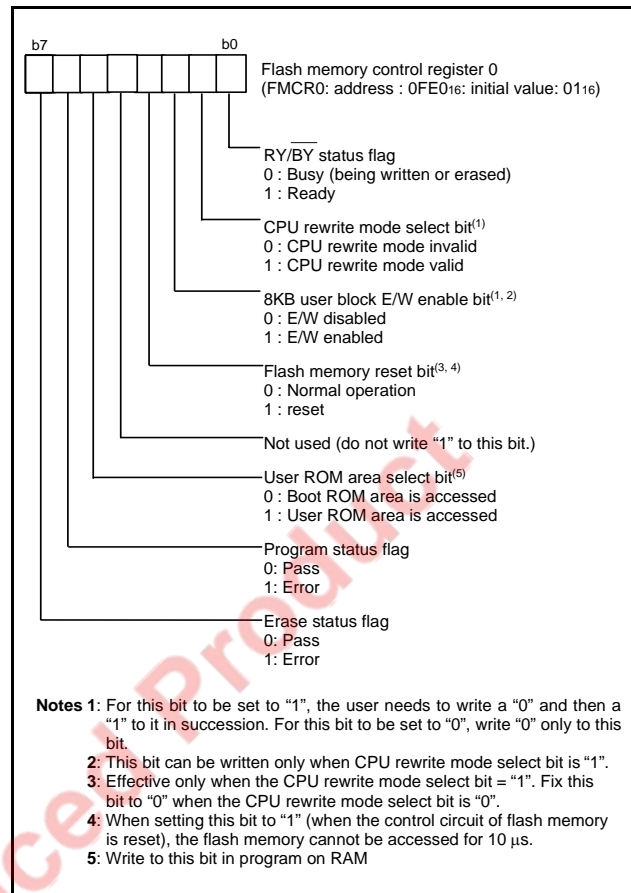


Fig 65. Structure of flash memory control register 0

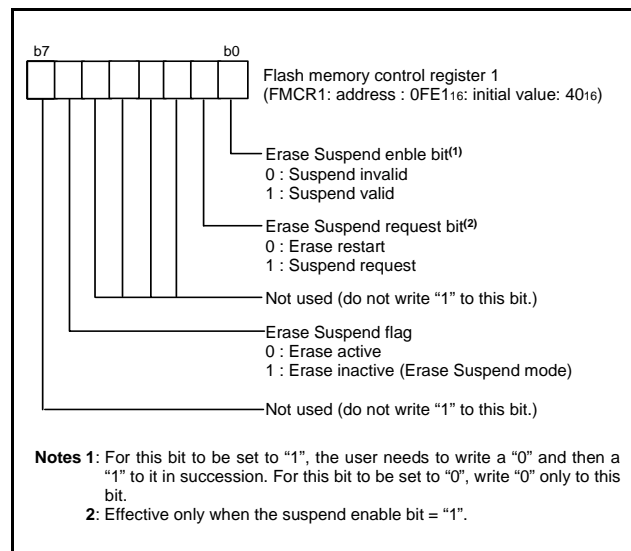


Fig 66. Structure of flash memory control register 1

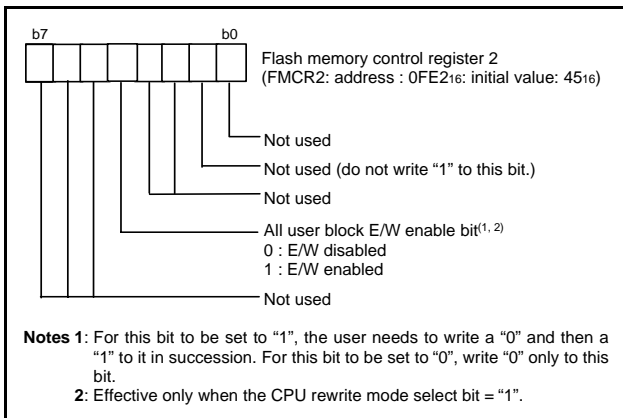


Fig 67. Structure of flash memory control register 2

Table 12 State of E/W inhibition function

All user block E/W enable bit	8 KB user block E/W enable bit	8 KB × 2 block Addresses C000 <sub>16</sub> to FFFF <sub>16</sub>	16 KB + 24 KB block Addresses 2000 <sub>16</sub> to BFFF <sub>16</sub>	Data block Addresses 1000 <sub>16</sub> to 1FFF <sub>16</sub>
0	0	E/W disabled	E/W disabled	E/W enabled
0	1	E/W disabled	E/W disabled	E/W enabled
1	0	E/W disabled	E/W enabled	E/W enabled
1	1	E/W enabled	E/W enabled	E/W enabled

Figure.68 shows a flowchart for setting/releasing CPU rewrite mode.

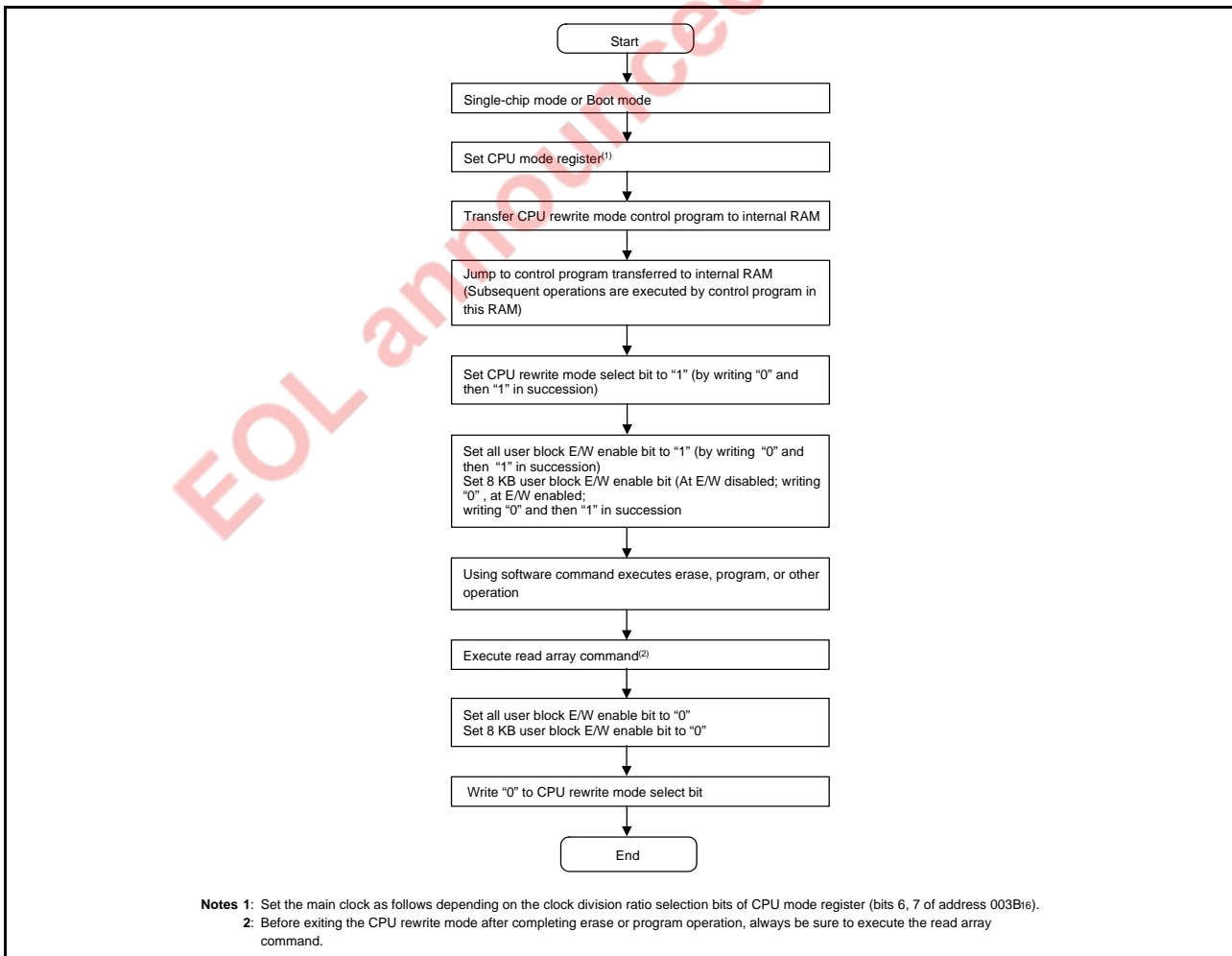


Fig 68. CPU rewrite mode set/release flowchart be sure to execute

**<Notes on CPU Rewrite Mode>**

Take the notes described below when rewriting the flash memory in CPU rewrite mode.

**(1) Operation speed**

During CPU rewrite mode, set the system clock  $\phi$  to 4.0 MHz or less using the clock division ratio selection bits (bits 6 and 7 of address 003B16).

**(2) Instructions inhibited against use**

The instructions which refer to the internal data of the flash memory cannot be used during CPU rewrite mode.

**(3) Interrupts**

The interrupts cannot be used during CPU rewrite mode because they refer to the internal data of the flash memory.

**(4) Watchdog timer**

If the watchdog timer has been already activated, internal reset due to an underflow will not occur because the watchdog timer is surely cleared during program or erase.

**(5) Reset**

Reset is always valid. The MCU is activated using the boot mode at release of reset in the condition of CNVSS = "H", so that the program will begin at the address which is stored in addresses FFFC16 and FFFD16 of the boot ROM area.

EOL announced Product

**Software Commands**

Table 13 lists the software commands. After setting the CPU rewrite mode select bit to “1”, execute a software command to specify an erase or program operation. Each software command is explained below.

• Read Array Command (FF<sub>16</sub>)

The read array mode is entered by writing the command code “FF<sub>16</sub>” in the first bus cycle. When an address to be read is input in one of the bus cycles that follow, the contents of the specified address are read out at the data bus (D<sub>0</sub> to D<sub>7</sub>). The read array mode is retained until another command is written.

• Read Status Register Command (70<sub>16</sub>)

When the command code “70<sub>16</sub>” is written in the first bus cycle, the contents of the status register are read out at the data bus (D<sub>0</sub> to D<sub>7</sub>) by a read in the second bus cycle. The status register is explained in the next section.

• Clear Status Register Command (50<sub>16</sub>)

This command is used to clear the bits SR<sub>4</sub> and SR<sub>5</sub> of the status register after they have been set. These bits indicate that operation has ended in an error. To use this command, write the command code “50<sub>16</sub>” in the first bus cycle.

• Program Command (40<sub>16</sub>)

Program operation starts when the command code “40<sub>16</sub>” is written in the first bus cycle. Then, if the address and data to program are written in the 2nd bus cycle, program operation (data programming and verification) will start. Whether the write operation is completed can be confirmed by read status register or the RY/ $\overline{\text{BY}}$  status flag. When the program starts, the read status register mode is entered automatically and the contents of the status register is read at the data bus (D<sub>0</sub> to D<sub>7</sub>). The status register bit 7 (SR<sub>7</sub>) is set to “0” at the same time the write operation starts and is returned to “1” upon completion of the write operation. In this case, the read status register mode remains active until the read array command (FF<sub>16</sub>) is written.

The RY/ $\overline{\text{BY}}$  status flag of the flash memory control register is “0” during write operation and “1” when the write operation is completed as is the status register bit 7.

At program end, program results can be checked by reading the status register.

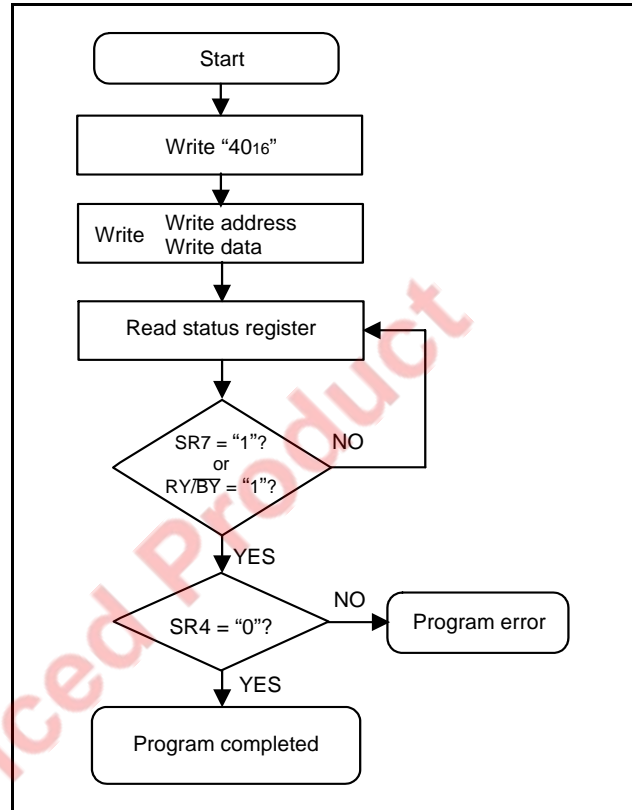


Fig 69. Program flowchart

Table 13 List of software commands (CPU rewrite mode)

Command	cycle number	First bus cycle			Second bus cycle		
		Mode	Address	Data (D <sub>0</sub> to D <sub>7</sub> )	Mode	Address	Data (D <sub>0</sub> to D <sub>7</sub> )
Read array	1	Write	X <sup>(4)</sup>	FF <sub>16</sub>			
Read status register	2	Write	X	70 <sub>16</sub>	Read	X	SRD <sup>(1)</sup>
Clear status register	1	Write	X	50 <sub>16</sub>			
Program	2	Write	X	40 <sub>16</sub>	Write	WA <sup>(2)</sup>	WD <sup>(2)</sup>
Block erase	2	Write	X	20 <sub>16</sub>	Write	BA <sup>(3)</sup>	D0 <sub>16</sub>

NOTES:

1. SRD = Status Register Data
2. WA = Write Address, WD = Write Data
3. BA = Block Address to be erased (Input the maximum address of each block.)
4. X denotes a given address in the User ROM area.

### • Block Erase Command (20<sub>16</sub>/D0<sub>16</sub>)

By writing the command code "20<sub>16</sub>" in the first bus cycle and the confirmation command code "D0<sub>16</sub>" and the block address in the second bus cycle that follows, the block erase (erase and erase verify) operation starts for the block address of the flash memory to be specified.

Whether the block erase operation is completed can be confirmed by read status register or the RY/ $\overline{\text{BY}}$  status flag of flash memory control register. At the same time the block erase operation starts, the read status register mode is automatically entered, so that the contents of the status register can be read out. The status register bit 7 (SR7) is set to "0" at the same time the block erase operation starts and is returned to "1" upon completion of the block erase operation. In this case, the read status register mode remains active until the read array command (FF<sub>16</sub>) is written.

The RY/ $\overline{\text{BY}}$  status flag is "0" during block erase operation and "1" when the block erase operation is completed as is the status register bit 7.

After the block erase ends, erase results can be checked by reading the status register. For details, refer to the section where the status register is detailed.

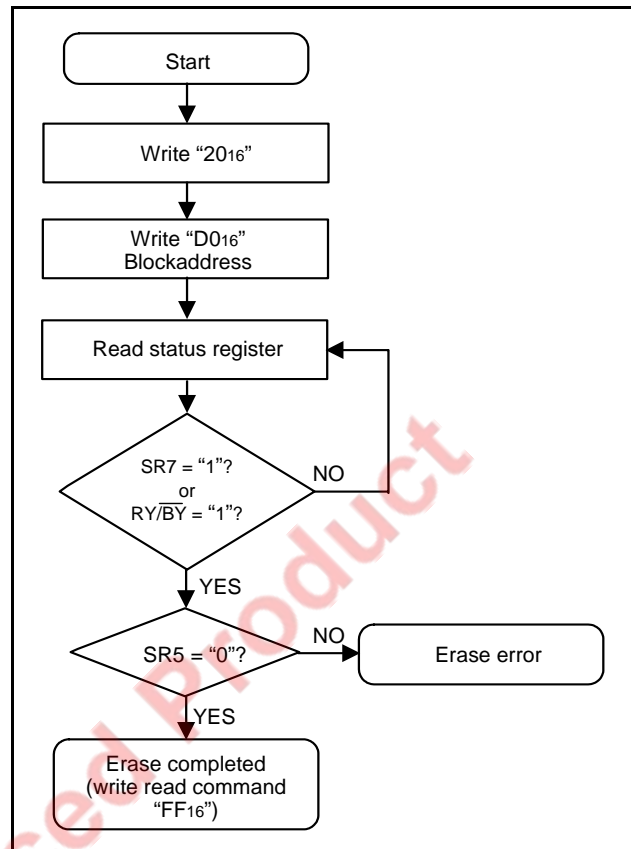


Fig 70. Erase flowchart



#### • Status Register

The status register shows the operating status of the flash memory and whether erase operations and programs ended successfully or in error. It can be read in the following ways:

- (1) By reading an arbitrary address from the User ROM area after writing the read status register command (70<sub>16</sub>)
- (2) By reading an arbitrary address from the User ROM area in the period from when the program starts or erase operation starts to when the read array command (FF<sub>16</sub>) is input.

Also, the status register can be cleared by writing the clear status register command (50<sub>16</sub>).

After reset, the status register is set to “80<sub>16</sub>”.

Table 14 shows the status register. Each bit in this register is explained below.

#### • Sequencer status (SR7)

The sequencer status indicates the operating status of the flash memory. This bit is set to “0” (busy) during write or erase operation and is set to “1” when these operations ends.

After power-on, the sequencer status is set to “1” (ready).

#### • Erase status (SR5)

The erase status indicates the operating status of erase operation. If an erase error occurs, it is set to “1”. When the erase status is cleared, it is reset to “0”.

#### • Program status (SR4)

The program status indicates the operating status of write operation.

When a write error occurs, it is set to “1”.

The program status is reset to “0” when it is cleared.

If “1” is written for any of the SR5 and SR4 bits, the read array, program, and block erase commands are not accepted. Before executing these commands, execute the clear status register command (50<sub>16</sub>) and clear the status register.

Also, if any commands are not correct, both SR5 and SR4 are set to “1”.

Table 14 Definition of each bit in status register

Each bit of SRD bits	Status name	Definition	
		“1”	“0”
SR7 (bit7)	Sequencer status	Ready	Busy
SR6 (bit6)	Reserved	–	–
SR5 (bit5)	Erase status	Terminated in error	Terminated normally
SR4 (bit4)	Program status	Terminated in error	Terminated normally
SR3 (bit3)	Reserved	–	–
SR2 (bit2)	Reserved	–	–
SR1 (bit1)	Reserved	–	–
SR0 (bit0)	Reserved	–	–

### Full Status Check

By performing full status check, it is possible to know the execution results of erase and program operations. Figure.71 shows a full status check flowchart and the action to be taken when each error occurs.

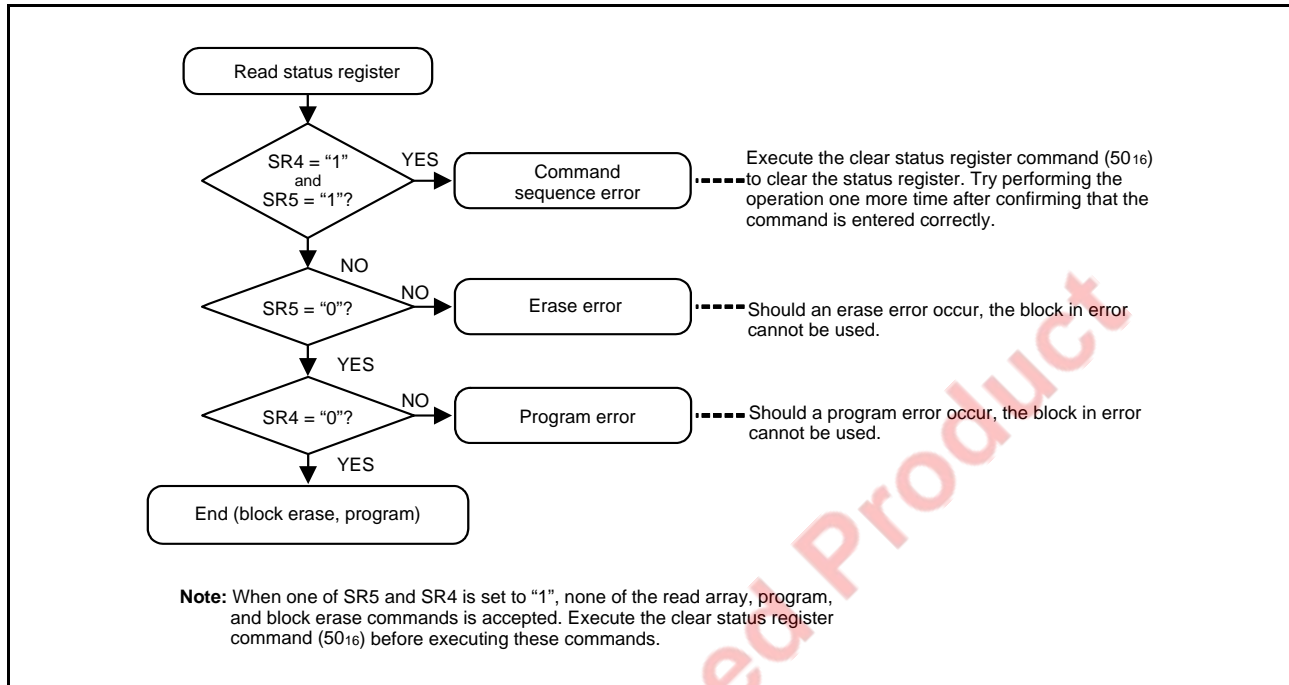


Fig 71. Full status check flowchart and remedial procedure for errors

### Functions To Inhibit Rewriting Flash Memory Version

To prevent the contents of internal flash memory from being read out or rewritten easily, this MCU incorporates a ROM code protect function for use in parallel I/O mode and an ID code check function for use in standard serial I/O mode.

#### • ROM Code Protect Function

The ROM code protect function is the function to inhibit reading out or modifying the contents of internal flash memory by using the ROM code protect control address (address FFDB<sub>16</sub>) in parallel I/O mode. Figure.72 shows the ROM code protect control address (address FFDB<sub>16</sub>). (This address exists in the User ROM area.)

If one or both of the pair of ROM code protect bits is set to “0”, the ROM code protect is turned on, so that the contents of internal flash memory are protected against readout and modification. The ROM code protect is implemented in two levels. If level 2 is selected, the flash memory is protected even against readout by a shipment inspection LSI tester, etc. When an attempt is made to select both level 1 and level 2, level 2 is selected by default.

If both of the two ROM code protect reset bits are set to “00”, the ROM code protect is turned off, so that the contents of internal flash memory can be readout or modified. Once the ROM code protect is turned on, the contents of the ROM code protect reset bits cannot be modified in parallel I/O mode. Use the serial I/O or CPU rewrite mode to rewrite the contents of the ROM code protect reset bits.

Rewriting of only the ROM code protect control address (address FFDB<sub>16</sub>) cannot be performed. When rewriting the ROM code protect reset bit, rewrite the whole user ROM area (block 0) containing the ROM code protect control address.

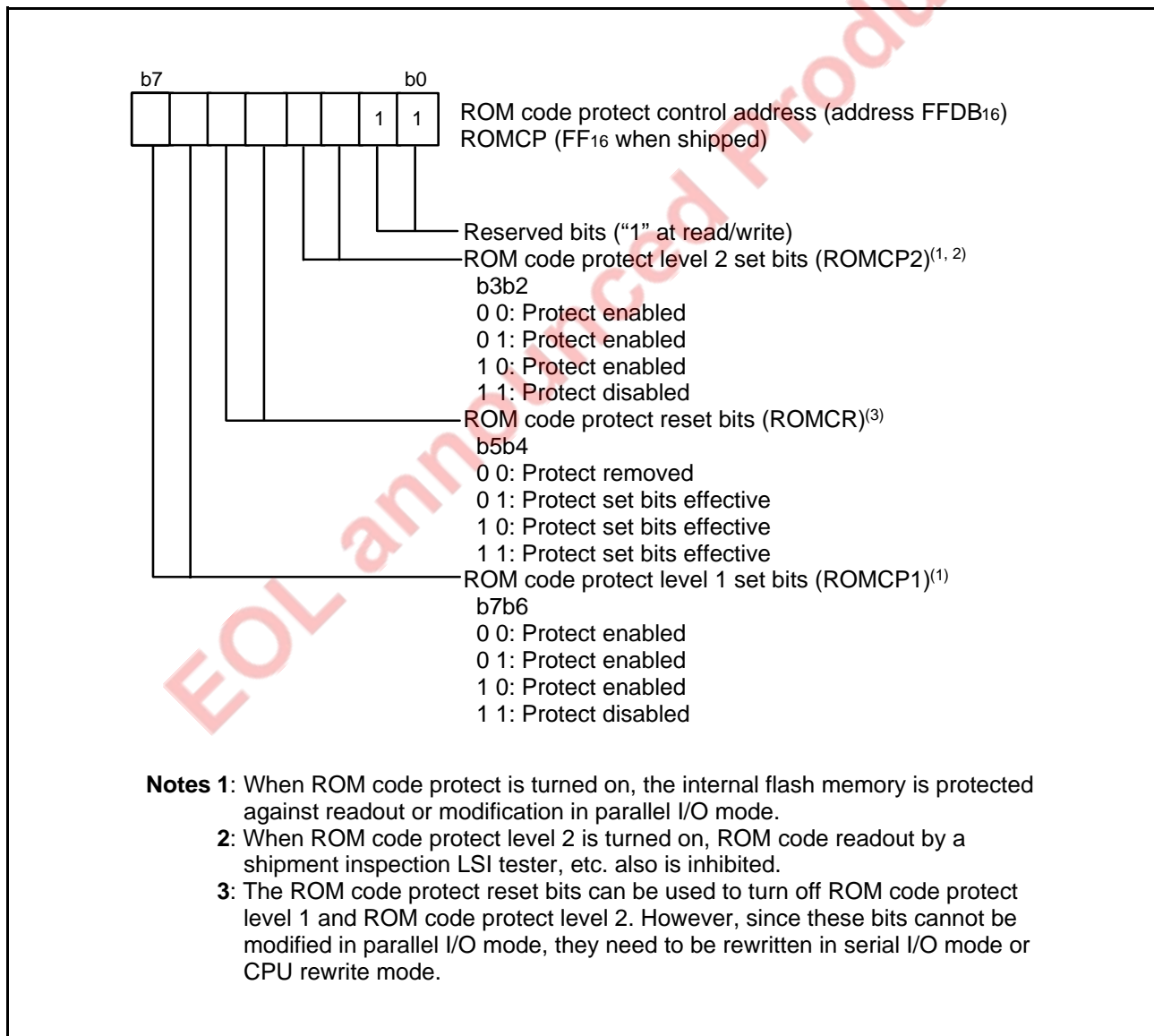


Fig 72. Structure of ROM code protect control address

**• ID Code Check Function**

Use this function in standard serial I/O mode. When the contents of the flash memory are not blank, the ID code sent from the programmer is compared with the ID code written in the flash memory to see if they match. If the ID codes do not match, the commands sent from the programmer are not accepted. The ID code consists of 8-bit data, and its areas are FFD4<sub>16</sub> to FFDA<sub>16</sub>. Write a program which has had the ID code preset at these addresses to the flash memory.

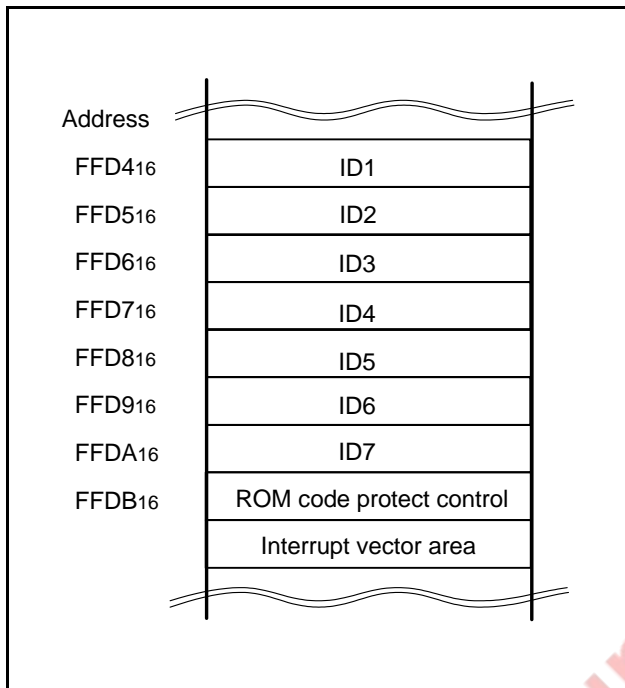


Fig 73. ID code store addresses

EOL announced Product

### Parallel I/O Mode

The parallel I/O mode is used to input/output software commands, address and data in parallel for operation (read, program and erase) to internal flash memory.

Use the external device (writer) only for 3803 Group (Spec.H) flash memory version. For details, refer to the user's manual of each writer manufacturer.

#### • User ROM and Boot ROM Areas

In parallel I/O mode, the User ROM and Boot ROM areas shown in Figure 64 can be rewritten. Both areas of flash memory can be operated on in the same way.

The Boot ROM area is 4 Kbytes in size and located at addresses F000<sub>16</sub> through FFFF<sub>16</sub>. Make sure program and block erase operations are always performed within this address range.

(Access to any location outside this address range is prohibited.) In the Boot ROM area, an erase block operation is applied to only one 4 Kbyte block. The boot ROM area has had a standard serial I/O mode control program stored in it when shipped from the factory. Therefore, using the MCU in standard serial I/O mode, do not rewrite to the Boot ROM area.

EOL announced Product

### Standard serial I/O Mode

The standard serial I/O mode inputs and outputs the software commands, addresses and data needed to operate (read, program, erase, etc.) the internal flash memory. This I/O is clock synchronized serial. This mode requires a purpose-specific peripheral unit.

The standard serial I/O mode is different from the parallel I/O mode in that the CPU controls flash memory rewrite (uses the CPU rewrite mode), rewrite data input and so forth. The standard serial I/O mode is started by connecting “H” to the CNVss pin and “H” to the P45 (BOOTENT) pin, and releasing the reset operation. (In the ordinary microcomputer mode, set CNVss pin to “L” level.) This control program is written in the Boot ROM area when the product is shipped from Renesas. Accordingly, make note of the fact that the standard serial I/O mode cannot be used if the Boot ROM area is rewritten in parallel I/O mode. The standard serial I/O mode has standard serial I/O mode 1 of the clock synchronous serial and standard serial I/O mode 2 of the clock asynchronous serial. Table 15 and 16 show description of pin function (standard serial I/O mode). Figure.74 to 77 show the pin connections for the standard serial I/O mode.

In standard serial I/O mode, only the User ROM area shown in Figure.64 can be rewritten. The Boot ROM area cannot be written.

In standard serial I/O mode, a 7-byte ID code is used. When there is data in the flash memory, this function determines whether the ID code sent from the peripheral unit (programmer) and those written in the flash memory match. The commands sent from the peripheral unit (programmer) are not accepted unless the ID code matches.

EOL announced Product

Table 15 Description of pin function (Flash Memory Serial I/O Mode 1)

Pin name	Signal name	I/O	Function
Vcc,Vss	Power supply	I	Apply 2.7 to 5.5 V to the Vcc pin and 0 V to the Vss pin.
CNVss	CNVss	I	After input of port is set, input "H" level.
$\overline{\text{RESET}}$	Reset input	I	Reset input pin. To reset the microcomputer, $\overline{\text{RESET}}$ pin should be held at an "L" level for 16 cycles or more of X <sub>IN</sub> .
X <sub>IN</sub>	Clock input	I	Connect an oscillation circuit between the X <sub>IN</sub> and X <sub>OUT</sub> pins.
X <sub>OUT</sub>	Clock output	O	As for the connection method, refer to the "clock generating circuit".
AVss	Analog power supply input		Connect AVss to Vss.
VREF	Reference voltage input	I	Apply reference voltage of A/D to this pin.
P00–P07, P10–P17, P20–P27, P30–P37, P40–P43, P50–P57, P60–P67	I/O port	I/O	Input "L" or "H" level, or keep open.
P44	RxD input	I	Serial data input pin.
P45	TxD output	O	Serial data output pin.
P46	SCLK input	I	Serial clock input pin.
P47	BUSY output	O	BUSY signal output pin.

Table 16 Description of pin function (Flash Memory Serial I/O Mode 2)

Pin name	Signal name	I/O	Function
Vcc,Vss	Power supply	I	Apply 2.7 to 5.5 V to the Vcc pin and 0 V to the Vss pin.
CNVss	CNVss	I	After input of port is set, input "H" level.
$\overline{\text{RESET}}$	Reset input	I	Reset input pin. To reset the microcomputer, $\overline{\text{RESET}}$ pin should be held at an "L" level for 16 cycles or more of X <sub>IN</sub> .
X <sub>IN</sub>	Clock input	I	Connect an oscillation circuit between the X <sub>IN</sub> and X <sub>OUT</sub> pins.
X <sub>OUT</sub>	Clock output	O	As for the connection method, refer to the "clock generating circuit".
AVss	Analog power supply input		Connect AVss to Vss.
VREF	Reference voltage input	I	Apply reference voltage of A/D to this pin.
P00–P07, P10–P17, P20–P27, P30–P37, P40–P43, P50–P57, P60–P67	I/O port	I/O	Input "L" or "H" level, or keep open.
P44	RxD input	I	Serial data input pin.
P45	TxD output	O	Serial data output pin.
P46	SCLK input	I	Input "L" level.
P47	BUSY output	O	BUSY signal output pin.

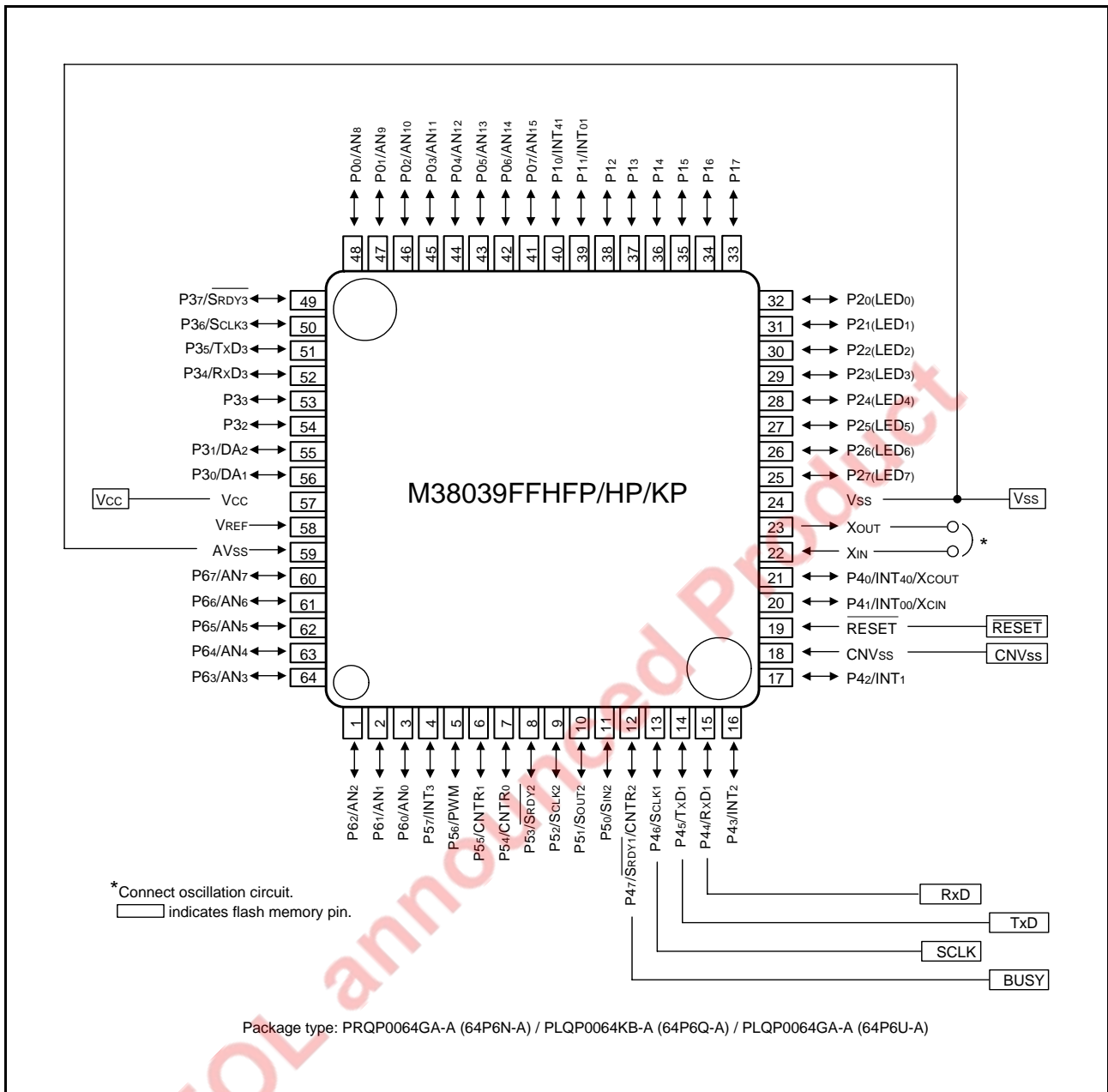


Fig 74. Connection for standard serial I/O mode 1 (M38039FFHFP/HP/KP)



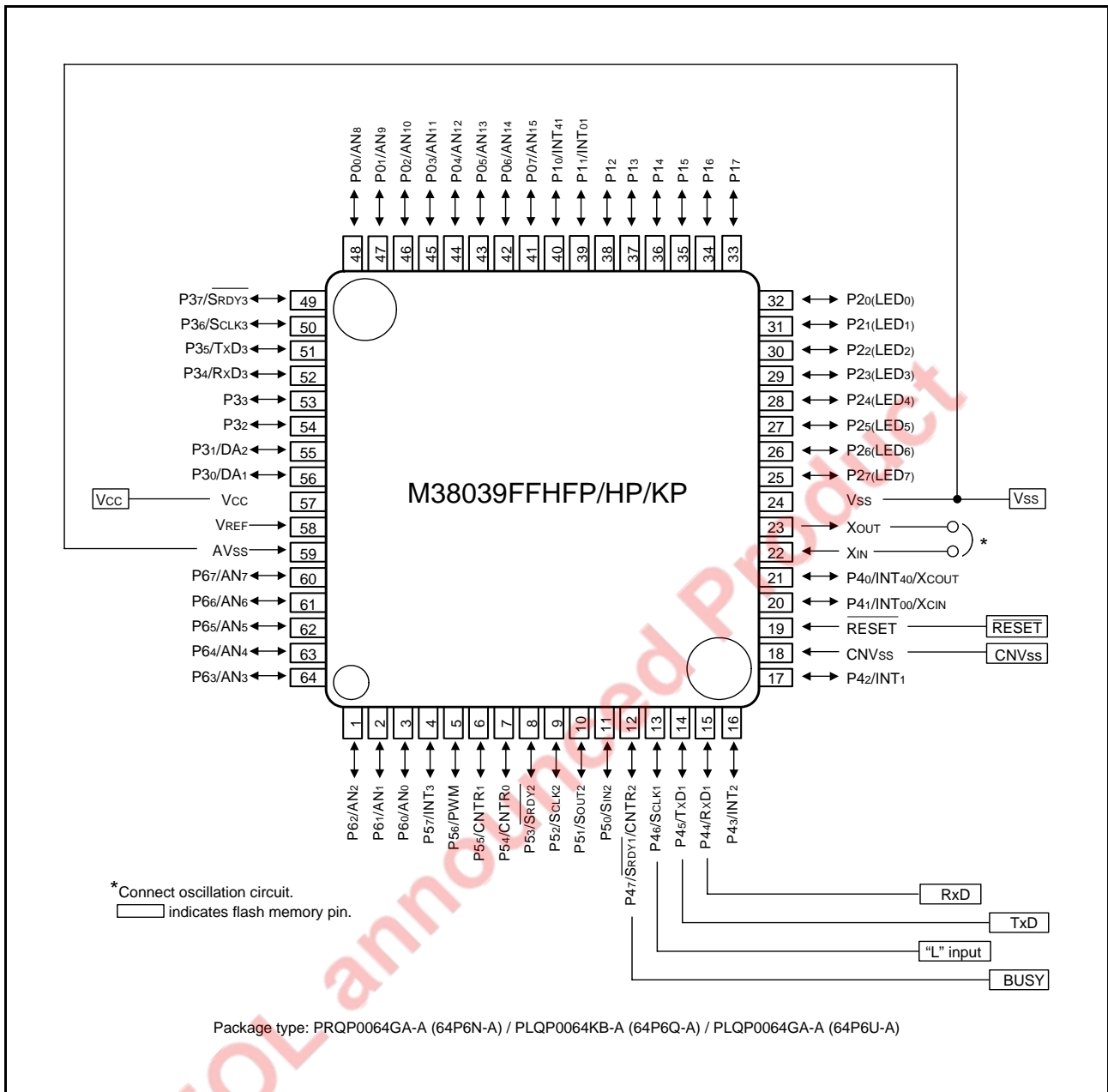


Fig 75. Connection for standard serial I/O mode 2 (M38039FFHFP/HP/KP)

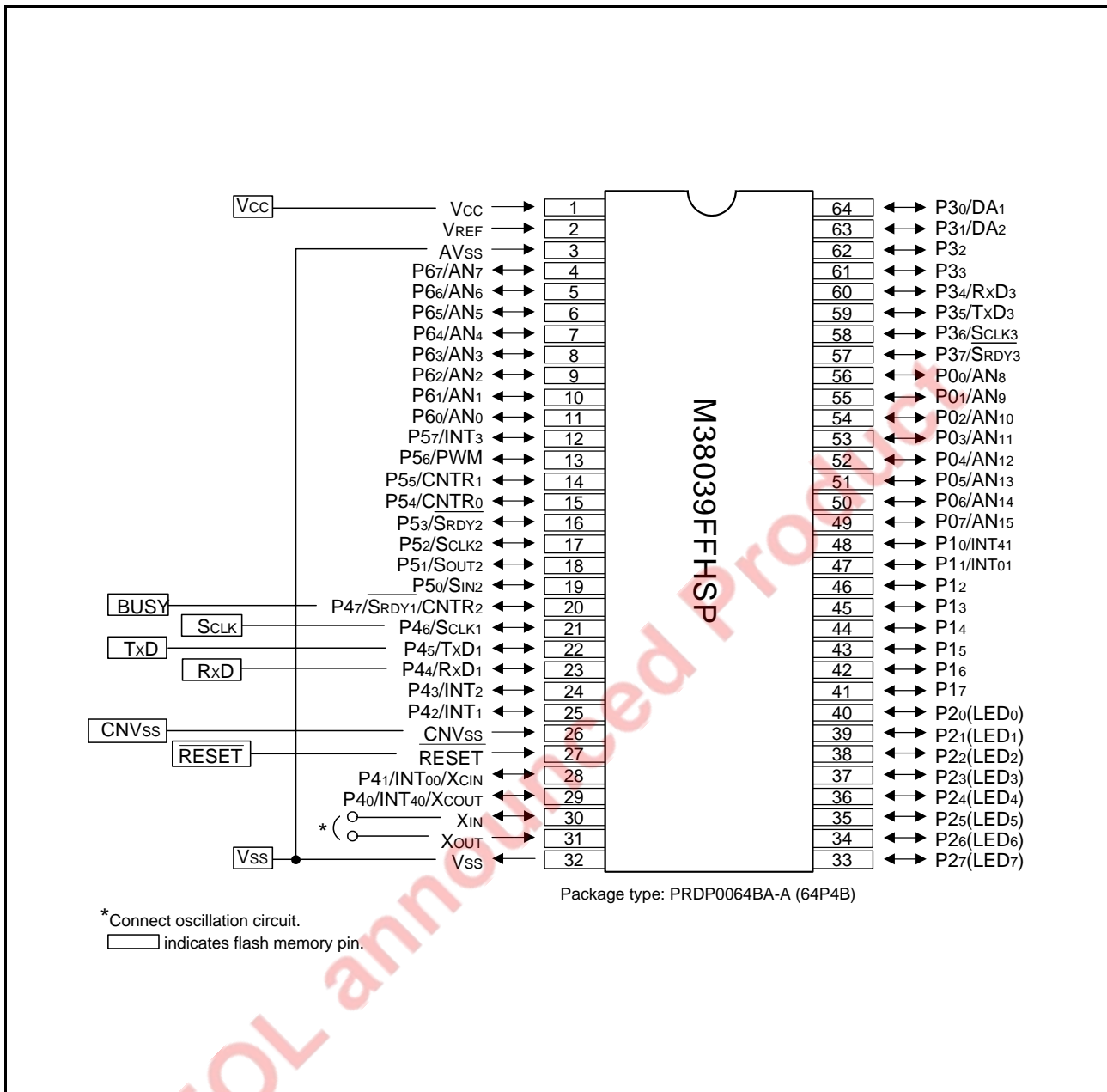


Fig 76. Connection for standard serial I/O mode 1 (M38039FFHSP)

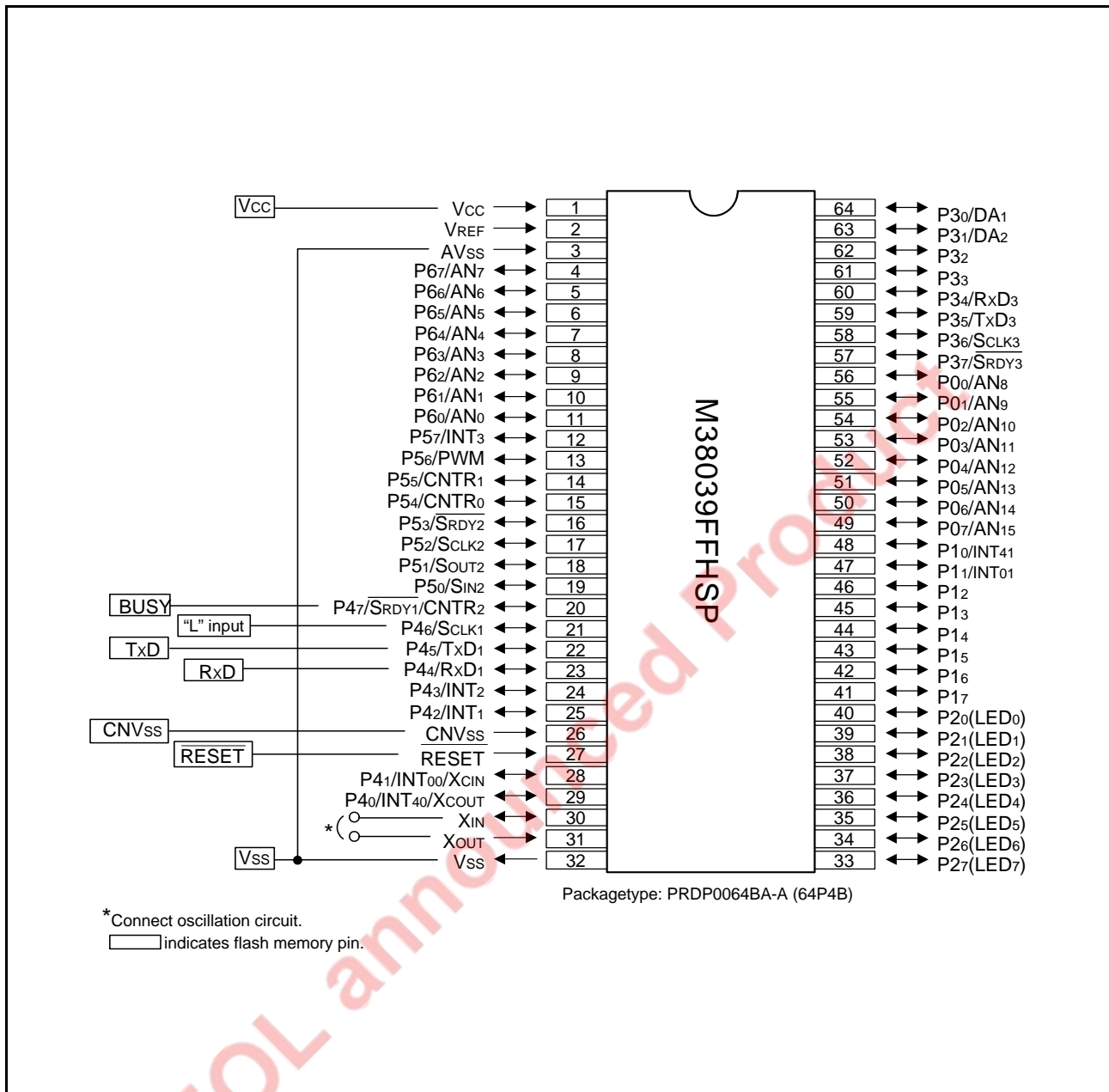


Fig 77. Connection for standard serial I/O mode 2 (M38039FFHSP)

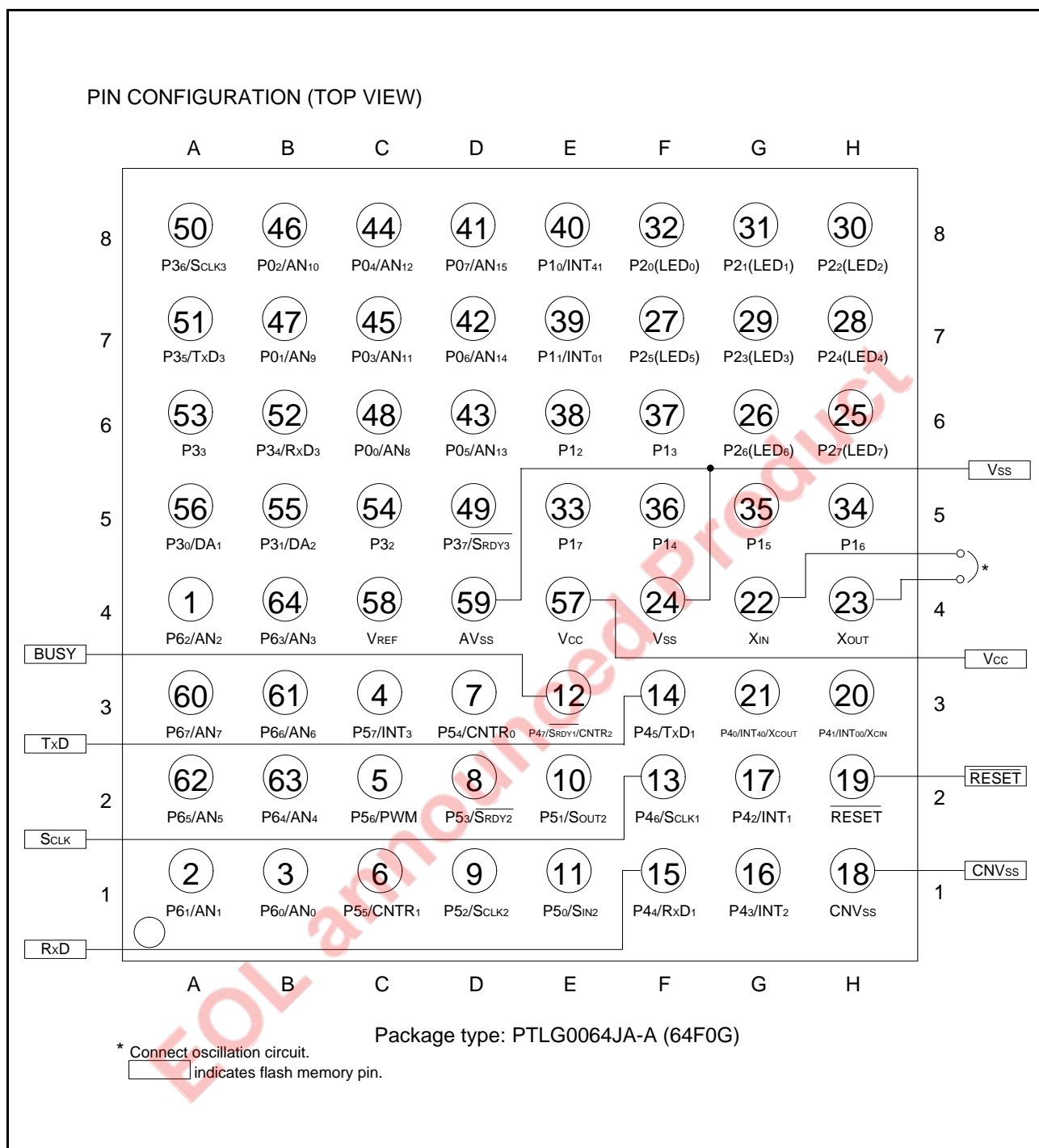


Fig 78. Connection for standard serial I/O mode 1 (M38039FFHWG)

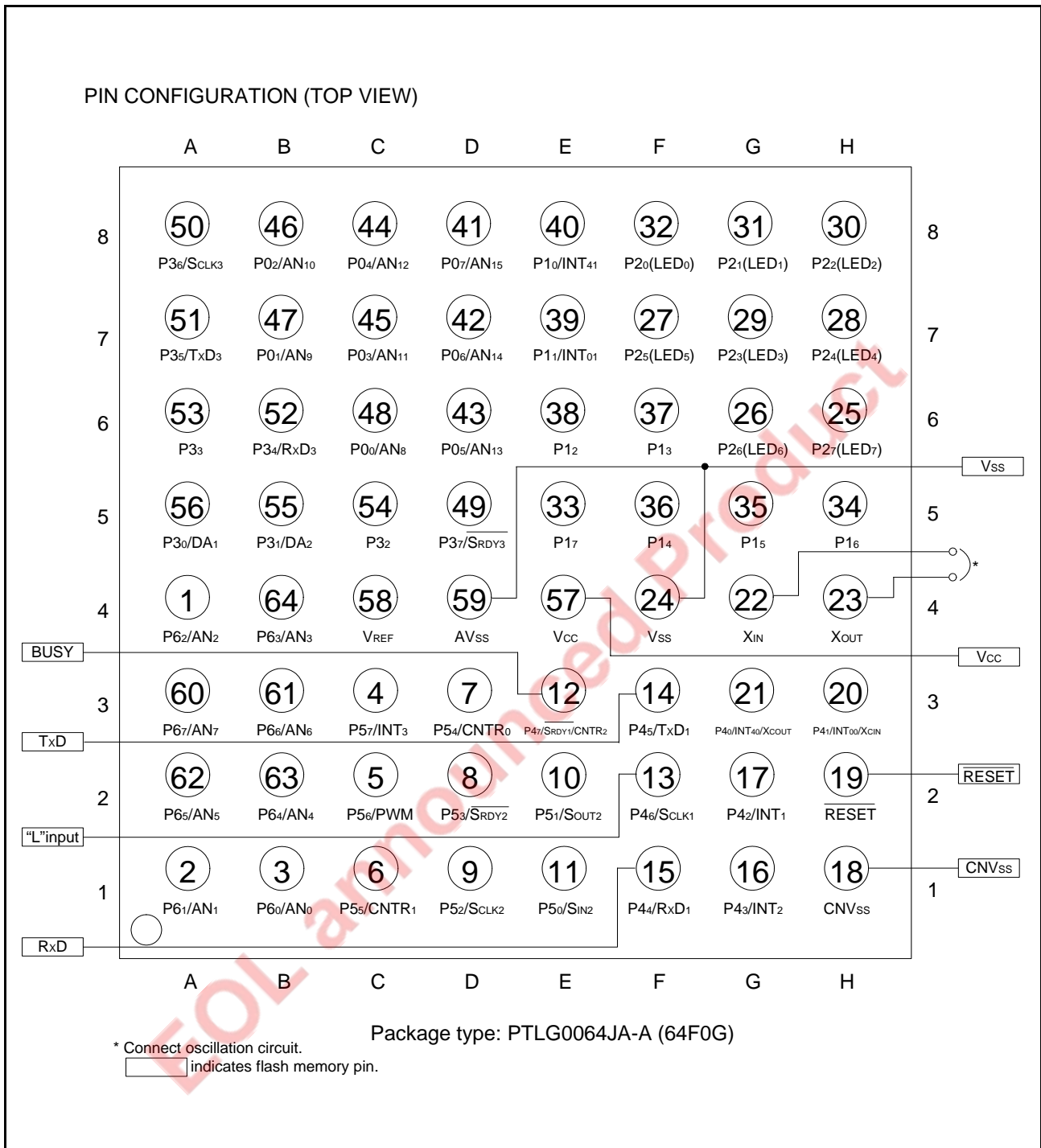


Fig 79. Connection for standard serial I/O mode 2 (M38039FFHWG)

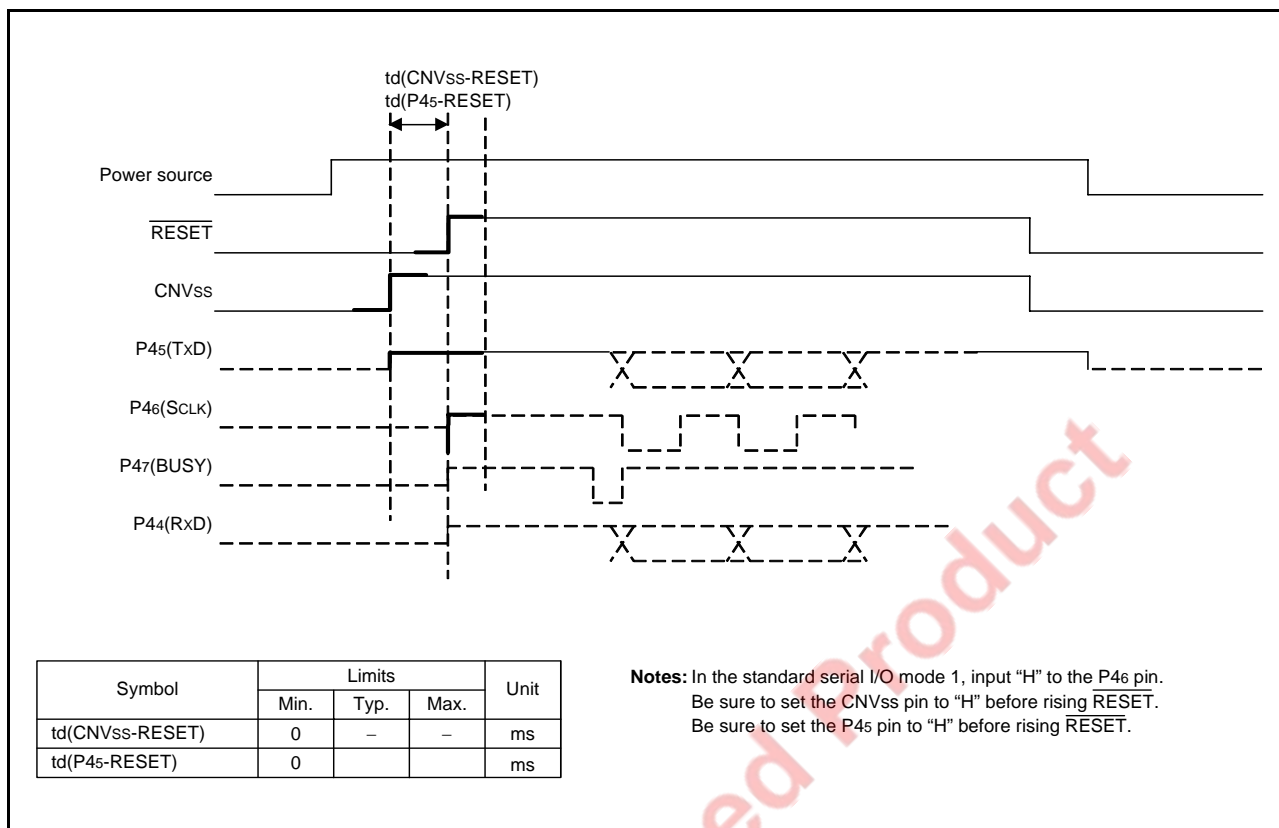


Fig 80. Operating waveform for standard serial I/O mode 1

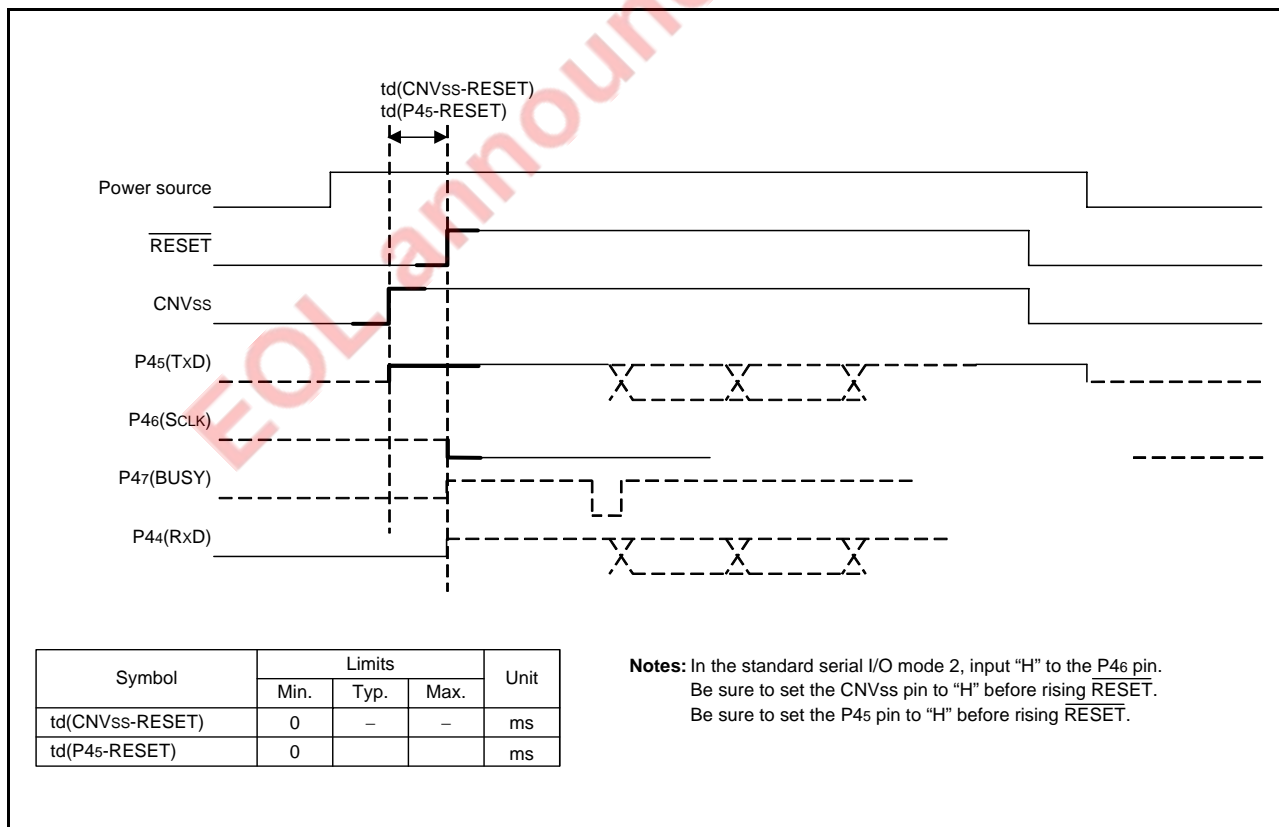


Fig 81. Operating waveform for standard serial I/O mode 2

**ELECTRICAL CHARACTERISTICS****Absolute maximum ratings**

Table 17 Absolute maximum ratings

Symbol	Parameter	Conditions	Ratings	Unit
V <sub>cc</sub>	Power source voltages	All voltages are based on V <sub>ss</sub> .	-0.3 to 6.5	V
V <sub>i</sub>	Input voltage P00-P07, P10-P17, P20-P27, P30, P31, P34-P37, P40-P47, P50-P57, P60-P67, V <sub>REF</sub>	When an input voltage is measured, output transistors are cut off.	-0.3 to V <sub>cc</sub> + 0.3	V
V <sub>i</sub>	Input voltage P32, P33		-0.3 to 5.8	V
V <sub>i</sub>	Input voltage $\overline{\text{RESET}}$ , X <sub>IN</sub>		-0.3 to V <sub>cc</sub> + 0.3	V
V <sub>i</sub>	Input voltage CNV <sub>ss</sub>		-0.3 to V <sub>cc</sub> + 0.3	V
V <sub>o</sub>	Output voltage P00-P07, P10-P17, P20-P27, P30, P31, P34-P37, P40-P47, P50-P57, P60-P67, X <sub>OUT</sub>		-0.3 to V <sub>cc</sub> + 0.3	V
V <sub>o</sub>	Output voltage P32, P33		-0.3 to 5.8	V
P <sub>d</sub>	Power dissipation	T <sub>a</sub> =25 °C	1000 <sup>(1)</sup>	mW
T <sub>opr</sub>	Operating temperature		-20 to 85	°C
T <sub>stg</sub>	Storage temperature		-65 to 125	°C

**NOTE:**

1. This value is 300 mW except SP package.

EOL announced Product

## Recommended operating conditions

Table 18 Recommended operating conditions (1) (Mask ROM version)  
(V<sub>CC</sub> = 1.8 to 5.5 V, V<sub>SS</sub> = 0 V, T<sub>a</sub> = -20 to 85 °C, unless otherwise noted)

Symbol	Parameter	Conditions	Limits			Unit	
			Min.	Typ.	Max.		
V <sub>CC</sub>	Power source voltage <sup>(1)</sup>	When start oscillating <sup>(2)</sup>	2.2	5.0	5.5	V	
		High-speed mode f(φ) = f(X <sub>IN</sub> )/2	f(X <sub>IN</sub> ) ≤ 2.1 MHz	2.0	5.0	5.5	V
			f(X <sub>IN</sub> ) ≤ 4.2 MHz	2.2	5.0	5.5	
			f(X <sub>IN</sub> ) ≤ 8.4 MHz	2.7	5.0	5.5	
			f(X <sub>IN</sub> ) ≤ 12.5 MHz	4.0	5.0	5.5	
			f(X <sub>IN</sub> ) ≤ 16.8 MHz	4.5	5.0	5.5	
		Middle-speed mode f(φ) = f(X <sub>IN</sub> )/8	f(X <sub>IN</sub> ) ≤ 6.3 MHz	1.8	5.0	5.5	V
			f(X <sub>IN</sub> ) ≤ 8.4 MHz	2.2	5.0	5.5	
			f(X <sub>IN</sub> ) ≤ 12.5 MHz	2.7	5.0	5.5	
f(X <sub>IN</sub> ) ≤ 16.8 MHz	4.5		5.0	5.5			
V <sub>SS</sub>	Power source voltage		0		V		
V <sub>IH</sub>	"H" input voltage P00-P07, P10-P17, P20-P27, P30, P31, P34-P37, P40-P47, P50-P57, P60-P67	1.8 ≤ V <sub>CC</sub> < 2.7 V	0.85 V <sub>CC</sub>		V <sub>CC</sub>	V	
		2.7 ≤ V <sub>CC</sub> ≤ 5.5 V	0.8 V <sub>CC</sub>		V <sub>CC</sub>		
V <sub>IH</sub>	"H" input voltage P32, P33	1.8 ≤ V <sub>CC</sub> < 2.7 V	0.85 V <sub>CC</sub>		5.5	V	
		2.7 ≤ V <sub>CC</sub> ≤ 5.5 V	0.8 V <sub>CC</sub>		5.5		
V <sub>IH</sub>	"H" input voltage RESET, X <sub>IN</sub> , X <sub>CIN</sub> , CNV <sub>SS</sub>	1.8 ≤ V <sub>CC</sub> < 2.7 V	0.85 V <sub>CC</sub>		V <sub>CC</sub>	V	
		2.7 ≤ V <sub>CC</sub> ≤ 5.5 V	0.8 V <sub>CC</sub>		V <sub>CC</sub>		
V <sub>IL</sub>	"L" input voltage P00-P07, P10-P17, P20-P27, P30-P37, P40-P47, P50-P57, P60-P67	1.8 ≤ V <sub>CC</sub> < 2.7 V	0		0.16 V <sub>CC</sub>	V	
		2.7 ≤ V <sub>CC</sub> ≤ 5.5 V	0		0.2 V <sub>CC</sub>		
V <sub>IL</sub>	"L" input voltage RESET, CNV <sub>SS</sub>	1.8 ≤ V <sub>CC</sub> < 2.7 V	0		0.16 V <sub>CC</sub>	V	
		2.7 ≤ V <sub>CC</sub> ≤ 5.5 V	0		0.2 V <sub>CC</sub>		
V <sub>IL</sub>	"L" input voltage X <sub>IN</sub> , X <sub>CIN</sub>	1.8 ≤ V <sub>CC</sub> ≤ 5.5 V	0		0.16 V <sub>CC</sub>	V	
f(X <sub>IN</sub> )	Main clock input oscillation frequency <sup>(3)</sup>	High-speed mode f(φ) = f(X <sub>IN</sub> )/2	2.0 ≤ V <sub>CC</sub> < 2.2 V		$\frac{(20 \times V_{CC} - 36) \times 1.05}{2}$	MHz	
			2.2 ≤ V <sub>CC</sub> < 2.7 V		$\frac{(24 \times V_{CC} - 40.8) \times 1.05}{3}$	MHz	
			2.7 ≤ V <sub>CC</sub> < 4.0 V		$\frac{(9 \times V_{CC} - 0.3) \times 1.05}{3}$	MHz	
			4.0 ≤ V <sub>CC</sub> < 4.5 V		$\frac{(24 \times V_{CC} - 60) \times 1.05}{3}$	MHz	
			4.5 ≤ V <sub>CC</sub> ≤ 5.5 V		16.8	MHz	
		Middle-speed mode f(φ) = f(X <sub>IN</sub> )/8	1.8 ≤ V <sub>CC</sub> < 2.2 V		$\frac{(15 \times V_{CC} - 9) \times 1.05}{3}$	MHz	
			2.2 ≤ V <sub>CC</sub> < 2.7 V		$\frac{(24 \times V_{CC} - 28.8) \times 1.05}{3}$	MHz	
			2.7 ≤ V <sub>CC</sub> < 4.5 V		$\frac{(15 \times V_{CC} + 39) \times 1.1}{7}$	MHz	
			4.5 ≤ V <sub>CC</sub> ≤ 5.5 V		16.8	MHz	
f(X <sub>CIN</sub> )	Sub-clock input oscillation frequency <sup>(3, 4)</sup>		32.768	50	kHz		

## NOTES:

- When using A/D converter, see A/D converter recommended operating conditions.
- The start voltage and the start time for oscillation depend on the using oscillator, oscillation circuit constant value and operating temperature range, etc.. Particularly a high-frequency oscillator might require some notes in the low voltage operation.
- When the oscillation frequency has a duty cycle of 50%.
- When using the microcomputer in low-speed mode, set the sub-clock input oscillation frequency on condition that f(X<sub>CIN</sub>) < f(X<sub>IN</sub>)/3.



Table 19 Recommended operating conditions (2) (Flash memory version)  
 (V<sub>CC</sub> = 2.7 to 5.5 V, V<sub>SS</sub> = 0 V, T<sub>a</sub> = -20 to 85 °C, unless otherwise noted)

Symbol	Parameter	Conditions	Limits			Unit	
			Min.	Typ.	Max.		
V <sub>CC</sub>	Power source voltage <sup>(1)</sup>	When start oscillating <sup>(2)</sup>	2.2	5.0	5.5	V	
		High-speed mode f(φ) = f(X <sub>IN</sub> )/2	f(X <sub>IN</sub> ) ≤ 8.4 MHz	2.7	5.0	5.5	V
			f(X <sub>IN</sub> ) ≤ 12.5 MHz	4.0	5.0	5.5	
			f(X <sub>IN</sub> ) ≤ 16.8 MHz	4.5	5.0	5.5	
		Middle-speed mode f(φ) = f(X <sub>IN</sub> )/8	f(X <sub>IN</sub> ) ≤ 12.5 MHz	2.7	5.0	5.5	V
f(X <sub>IN</sub> ) ≤ 16.8 MHz	4.5		5.0	5.5			
V <sub>SS</sub>	Power source voltage		0		V		
V <sub>IH</sub>	"H" input voltage P00-P07, P10-P17, P20-P27, P30, P31, P34-P37, P40-P47, P50-P57, P60-P67		0.8 V <sub>CC</sub>		V <sub>CC</sub>	V	
V <sub>IH</sub>	"H" input voltage P32, P33		0.8 V <sub>CC</sub>		5.5	V	
V <sub>IH</sub>	"H" input voltage RESET, X <sub>IN</sub> , CNV <sub>SS</sub>		0.8 V <sub>CC</sub>		V <sub>CC</sub>	V	
V <sub>IH</sub>	"H" input voltage X <sub>CIN</sub>		2		V <sub>CC</sub>	V	
V <sub>IL</sub>	"L" input voltage P00-P07, P10-P17, P20-P27, P30-P37, P40-P47, P50-P57, P60-P67		0		0.2 V <sub>CC</sub>	V	
V <sub>IL</sub>	"L" input voltage RESET, CNV <sub>SS</sub>		0		0.2 V <sub>CC</sub>	V	
V <sub>IL</sub>	"L" input voltage X <sub>IN</sub>				0.16 V <sub>CC</sub>	V	
V <sub>IL</sub>	"L" input voltage X <sub>CIN</sub>				0.4	V	
f(X <sub>IN</sub> )	Main clock input oscillation frequency <sup>(3)</sup>	High-speed mode f(φ) = f(X <sub>IN</sub> )/2	2.7 ≤ V <sub>CC</sub> < 4.0 V		$\frac{(9 \times V_{CC} - 0.3) \times 1.05}{3}$	MHz	
			4.0 ≤ V <sub>CC</sub> < 4.5 V		$\frac{(24 \times V_{CC} - 60) \times 1.05}{3}$	MHz	
			4.5 ≤ V <sub>CC</sub> ≤ 5.5 V		16.8	MHz	
		Middle-speed mode f(φ) = f(X <sub>IN</sub> )/8	2.7 ≤ V <sub>CC</sub> < 4.5 V		$\frac{(15 \times V_{CC} + 39) \times 1.1}{7}$	MHz	
			4.5 ≤ V <sub>CC</sub> ≤ 5.5 V		16.8	MHz	
f(X <sub>CIN</sub> )	Sub-clock input oscillation frequency <sup>(3, 4)</sup>			32.768	50	kHz	

## NOTES:

- When using A/D converter, see A/D converter recommended operating conditions.
- The start voltage and the start time for oscillation depend on the using oscillator, oscillation circuit constant value and operating temperature range, etc.. Particularly a high-frequency oscillator might require some notes in the low voltage operation.
- When the oscillation frequency has a duty cycle of 50%.
- When using the microcomputer in low-speed mode, set the sub-clock input oscillation frequency on condition that f(X<sub>CIN</sub>) < f(X<sub>IN</sub>)/3.

Table 20 Recommended operating conditions (3)  
 (Mask ROM version:  $V_{CC} = 1.8$  to  $5.5$  V,  $V_{SS} = 0$  V,  $T_a = -20$  to  $85$  °C, unless otherwise noted)  
 (Flash memory version:  $V_{CC} = 2.7$  to  $5.5$  V,  $V_{SS} = 0$  V,  $T_a = -20$  to  $85$  °C, unless otherwise noted)

Symbol	Parameter	Limits			Unit
		Min.	Typ.	Max.	
$\Sigma I_{OH(peak)}$	"H" total peak output current <sup>(1)</sup> P00-P07, P10-P17, P20-P27, P30, P31, P34-P37			-80	mA
$\Sigma I_{OH(peak)}$	"H" total peak output current <sup>(1)</sup> P40-P47, P50-P57, P60-P67			-80	mA
$\Sigma I_{OL(peak)}$	"L" total peak output current <sup>(1)</sup> P00-P07, P10-P17, P30-P37			80	mA
$\Sigma I_{OL(peak)}$	"L" total peak output current <sup>(1)</sup> P20-P27			80	mA
$\Sigma I_{OL(peak)}$	"L" total peak output current <sup>(1)</sup> P40-P47, P50-P57, P60-P67			80	mA
$\Sigma I_{OH(avg)}$	"H" total average output current <sup>(1)</sup> P00-P07, P10-P17, P20-P27, P30, P31, P34-P37			-40	mA
$\Sigma I_{OH(avg)}$	"H" total average output current <sup>(1)</sup> P40-P47, P50-P57, P60-P67			-40	mA
$\Sigma I_{OL(avg)}$	"L" total average output current <sup>(1)</sup> P00-P07, P10-P17, P30-P37			40	mA
$\Sigma I_{OL(avg)}$	"L" total average output current <sup>(1)</sup> P20-P27			40	mA
$\Sigma I_{OL(avg)}$	"L" total average output current <sup>(1)</sup> P40-P47, P50-P57, P60-P67			40	mA
$I_{OH(peak)}$	"H" peak output current <sup>(2)</sup> P00-P07, P10-P17, P20-P27, P30, P31, P34-P37, P40-P47, P50-P57, P60-P67			-10	mA
$I_{OL(peak)}$	"L" peak output current <sup>(2)</sup> P00-P07, P10-P17, P30-P37, P40-P47, P50-P57, P60-P67			10	mA
$I_{OL(peak)}$	"L" peak output current <sup>(2)</sup> P20-P27			20	mA
$I_{OH(avg)}$	"H" average output current <sup>(3)</sup> P00-P07, P10-P17, P20-P27, P30, P31, P34-P37, P40-P47, P50-P57, P60-P67			-5	mA
$I_{OL(avg)}$	"L" average output current <sup>(3)</sup> P00-P07, P10-P17, P30-P37, P40-P47, P50-P57, P60-P67			5	mA
$I_{OL(avg)}$	"L" average output current <sup>(3)</sup> P20-P27			10	mA

## NOTES:

1. The total output current is the sum of all the currents flowing through all the applicable ports. The total average current is an average value measured over 100 ms. The total peak current is the peak value of all the currents.
2. The peak output current is the peak current flowing in each port.
3. The average output current  $I_{OL(avg)}$ ,  $I_{OH(avg)}$  are average value measured over 100 ms.

## Electrical characteristics

Table 21 Electrical characteristics (1)

(Mask ROM version:  $V_{CC} = 1.8$  to  $5.5$  V,  $V_{SS} = 0$  V,  $T_a = -20$  to  $85$  °C, unless otherwise noted)(Flash memory version:  $V_{CC} = 2.7$  to  $5.5$  V,  $V_{SS} = 0$  V,  $T_a = -20$  to  $85$  °C, unless otherwise noted)

Symbol	Parameter	Test conditions	Limits			Unit
			Min.	Typ.	Max.	
VOH	"H" output voltage <sup>(1)</sup> P00-P07, P10-P17, P20-P27, P30, P31, P34-P37, P40-P47, P50-P57, P60-P67	$I_{OH} = -10$ mA $V_{CC} = 4.0$ to $5.5$ V	$V_{CC} - 2.0$			V
		$I_{OH} = -1.0$ mA $V_{CC} = 1.8$ to $5.5$ V	$V_{CC} - 1.0$			
VOL	"L" output voltage P00-P07, P10-P17, P20-P27, P30-P37, P40-P47, P50-P57, P60-P67	$I_{OL} = 10$ mA $V_{CC} = 4.0$ to $5.5$ V			2.0	V
		$I_{OL} = 1.6$ mA $V_{CC} = 1.8$ to $5.5$ V			1.0	
VOL	"L" output voltage P20-P27	$I_{OL} = 20$ mA $V_{CC} = 4.0$ to $5.5$ V			2.0	V
		$I_{OL} = 1.6$ mA $V_{CC} = 1.8$ to $5.5$ V			0.4	
VT+ – VT–	Hysteresis CNTR0, CNTR1, CNTR2, INT0-INT4			0.4		V
VT+ – VT–	Hysteresis RxD1, SCLK1, SIN2, SCLK2, RxD3, SCLK3			0.5		V
VT+ – VT–	Hysteresis RESET			0.5		V
IiH	"H" input current P00-P07, P10-P17, P20-P27, P30-P37, P40-P47, P50-P57, P60-P67	$V_i = V_{CC}$ (Pin floating, Pull-up transistor "off")			5.0	$\mu$ A
IiH	"H" input current RESET, CNVSS	$V_i = V_{CC}$			5.0	$\mu$ A
IiH	"H" input current XIN	$V_i = V_{CC}$		4.0		$\mu$ A
IiL	"L" input current P00-P07, P10-P17, P20-P27, P30-P37, P40-P47, P50-P57, P60-P67	$V_i = V_{SS}$ (Pin floating, Pull-up transistor "off")			-5.0	$\mu$ A
IiL	"L" input current RESET, CNVSS	$V_i = V_{SS}$			-5.0	$\mu$ A
IiL	"L" input current XIN	$V_i = V_{SS}$		-4.0		$\mu$ A
		$V_i = V_{SS}$				
IiL	"L" input current (at Pull-up) P00-P07, P10-P17, P20-P27, P30, P31, P34-P37, P40-P47, P50-P57, P60-P67	$V_i = V_{SS}$ $V_{CC} = 5.0$ V	-80	-210	-420	$\mu$ A
		$V_i = V_{SS}$ $V_{CC} = 3.0$ V	-30	-70	-140	
V <sub>RAM</sub>	RAM hold voltage	When clock stopped	1.8		$V_{CC}$	V

## NOTE:

1. P35 is measured when the P35/TxD3 P-channel output disable bit of the UART3 control register (bit 4 of address 003316) is "0".  
P45 is measured when the P45/TxD1 P-channel output disable bit of the UART1 control register (bit 4 of address 001B16) is "0".

Table 22 Electrical characteristics (2) (Mask ROM version)  
 (V<sub>CC</sub> = 1.8 to 5.5 V, T<sub>a</sub> = -20 to 85 °C, f(X<sub>CIN</sub>)=32.768kHz (Stopped in middle-speed mode),  
 Output transistors "off", AD converter not operated)

Symbol	Parameter	Test conditions			Limits			Unit	
					Min.	Typ.	Max.		
I <sub>CC</sub>	Power source current	High-speed mode	V <sub>CC</sub> = 5.0 V	f(X <sub>IN</sub> ) = 16.8 MHz		8.0	15.0	mA	
				f(X <sub>IN</sub> ) = 12.5 MHz		6.5	12.0		
				f(X <sub>IN</sub> ) = 8.4 MHz		5.0	9.0		
				f(X <sub>IN</sub> ) = 4.2 MHz		2.5	5.0		
				f(X <sub>IN</sub> ) = 16.8 MHz (in WIT state)		2.0	3.6		
			V <sub>CC</sub> = 3.0 V	f(X <sub>IN</sub> ) = 8.4 MHz		1.9	3.8	mA	
				f(X <sub>IN</sub> ) = 4.2 MHz		1.0	2.0		
				f(X <sub>IN</sub> ) = 2.1 MHz		0.6	1.2		
			Middle-speed mode	V <sub>CC</sub> = 5.0 V	f(X <sub>IN</sub> ) = 16.8 MHz		4.0	7.0	mA
					f(X <sub>IN</sub> ) = 12.5 MHz		3.0	6.0	
		f(X <sub>IN</sub> ) = 8.4 MHz				2.5	5.0		
		f(X <sub>IN</sub> ) = 16.8 MHz (in WIT state)				1.8	3.3		
		V <sub>CC</sub> = 3.0 V		f(X <sub>IN</sub> ) = 12.5 MHz		1.5	3.0	mA	
				f(X <sub>IN</sub> ) = 8.4 MHz		1.2	2.4		
		Low-speed mode	V <sub>CC</sub> = 5.0 V	f(X <sub>IN</sub> ) = stopped		55	200	μA	
				In WIT state		40	70		
			V <sub>CC</sub> = 3.0 V	f(X <sub>IN</sub> ) = stopped		15	40	μA	
				In WIT state		8	15		
			V <sub>CC</sub> = 2.0 V	f(X <sub>IN</sub> ) = stopped		6	15	μA	
				In WIT state		3	6		
In STP state (All oscillation stopped)		T <sub>a</sub> = 25 °C		0.1	1.0	μA			
		T <sub>a</sub> = 85 °C			10				
Increment when A/D conversion is executed		f(X <sub>IN</sub> ) = 16.8 MHz, V <sub>CC</sub> = 5.0 V In Middle-, high-speed mode		500		μA			

Table 23 Electrical characteristics (3) (Flash memory version)  
 (V<sub>CC</sub> = 2.7 to 5.5 V, T<sub>a</sub> = -20 to 85 °C, f(X<sub>CIN</sub>)=32.768kHz (Stopped in middle-speed mode),  
 Output transistors "off", AD converter not operated)

Symbol	Parameter	Test conditions			Limits			Unit	
					Min.	Typ.	Max.		
I <sub>CC</sub>	Power source current	High-speed mode	V <sub>CC</sub> = 5.0 V	f(X <sub>IN</sub> ) = 16.8 MHz		5.5	8.3	mA	
				f(X <sub>IN</sub> ) = 12.5 MHz		4.5	6.8		
				f(X <sub>IN</sub> ) = 8.4 MHz		3.5	5.3		
				f(X <sub>IN</sub> ) = 4.2 MHz		2.2	3.3		
				f(X <sub>IN</sub> ) = 16.8 MHz (in WIT state)		2.2	3.3		
		High-speed mode	V <sub>CC</sub> = 3.0 V	f(X <sub>IN</sub> ) = 8.4 MHz		2.7	4.1	mA	
				f(X <sub>IN</sub> ) = 4.2 MHz		1.8	2.7		
				f(X <sub>IN</sub> ) = 2.1 MHz		1.1	1.7		
		Middle-speed mode	V <sub>CC</sub> = 5.0 V	f(X <sub>IN</sub> ) = 16.8 MHz		3.0	4.5	mA	
				f(X <sub>IN</sub> ) = 12.5 MHz		2.4	3.6		
				f(X <sub>IN</sub> ) = 8.4 MHz		2.0	3.0		
				f(X <sub>IN</sub> ) = 16.8 MHz (in WIT state)		2.1	3.2		
			Middle-speed mode	V <sub>CC</sub> = 3.0 V	f(X <sub>IN</sub> ) = 12.5 MHz		1.7	2.6	mA
					f(X <sub>IN</sub> ) = 8.4 MHz		1.5	2.3	
		f(X <sub>IN</sub> ) = 6.3 MHz				1.3	2.0		
		Low-speed mode	V <sub>CC</sub> = 5.0 V	f(X <sub>IN</sub> ) = stopped		410	630	μA	
				In WIT state		4.5	6.8		
Low-speed mode	V <sub>CC</sub> = 3.0 V		f(X <sub>IN</sub> ) = stopped		400	600	μA		
			In WIT state		3.7	5.6			
In STP state (All oscillation stopped)		T <sub>a</sub> = 25 °C		0.55	3.0	μA			
		T <sub>a</sub> = 85 °C		0.75					
Increment when A/D conversion is executed		f(X <sub>IN</sub> ) = 16.8 MHz, V <sub>CC</sub> = 5.0 V In Middle-, high-speed mode		1000		μA			

**A/D converter characteristics**

Table 24 A/D converter recommended operating conditions (Mask ROM version)  
( $V_{CC} = 2.0$  to  $5.5$  V,  $V_{SS} = AV_{SS} = 0$  V,  $T_a = -20$  to  $85$  °C, unless otherwise noted)

Symbol	Parameter	Conditions	Limits			Unit
			Min.	Typ.	Max.	
V <sub>CC</sub>	Power source voltage (When A/D converter is used)	8-bit A/D mode <sup>(1)</sup>	2.0	5.0	5.5	V
		10-bit A/D mode <sup>(2)</sup>	2.2	5.0	5.5	
V <sub>REF</sub>	Analog convert reference voltage		2.0		V <sub>CC</sub>	V
AV <sub>SS</sub>	Analog power source voltage			0		V
V <sub>IA</sub>	Analog input voltage AN <sub>0</sub> -AN <sub>15</sub>		0		V <sub>CC</sub>	V
f(X <sub>IN</sub> )	Main clock input oscillation frequency (When A/D converter is used)	$2.0 \leq V_{CC} = V_{REF} < 2.2$ V	0.5		$\frac{(20 \times V_{CC} - 36) \times 1.05}{2}$	MHz
		$2.2 \leq V_{CC} = V_{REF} < 2.7$ V	0.5		$\frac{(24 \times V_{CC} - 40.8) \times 1.05}{3}$	
		$2.7 \leq V_{CC} = V_{REF} < 4.0$ V	0.5		$\frac{(9 \times V_{CC} - 0.3) \times 1.05}{3}$	
		$4.0 \leq V_{CC} = V_{REF} < 4.5$ V	0.5		$\frac{(24.6 \times V_{CC} - 62.7) \times 1.05}{3}$	
		$4.5 \leq V_{CC} = V_{REF} \leq 5.5$ V	0.5		16.8	

**NOTES:**

- 8-bit A/D mode: When the conversion mode selection bit (bit 7 of address 0038<sub>16</sub>) is "1".
- 10-bit A/D mode: When the conversion mode selection bit (bit 7 of address 0038<sub>16</sub>) is "0".

Table 25 A/D converter characteristics (Mask ROM version)  
( $V_{CC} = 2.0$  to  $5.5$  V,  $V_{SS} = AV_{SS} = 0$  V,  $T_a = -20$  to  $85$  °C, unless otherwise noted)

Symbol	Parameter		Test conditions	Limits			Unit
				Min.	Typ.	Max.	
–	Resolution		8-bit A/D mode <sup>(1)</sup>			8	bit
			10-bit A/D mode <sup>(2)</sup>			10	
–	Absolute accuracy (excluding quantization error)		8-bit A/D mode <sup>(1)</sup>	$2.0 \leq V_{REF} < 2.2$ V		±3	LSB
				$2.2 \leq V_{REF} \leq 5.5$ V		±2	
			10-bit A/D mode <sup>(2)</sup>	$2.2 \leq V_{REF} < 2.7$ V		±5	LSB
				$2.7 \leq V_{REF} \leq 5.5$ V		±4	
t <sub>CONV</sub>	Conversion time		8-bit A/D mode <sup>(1)</sup>			50	2t <sub>c</sub> (X <sub>IN</sub> )
			10-bit A/D mode <sup>(2)</sup>			61	
RLADDER	Ladder resistor			12	35	100	kΩ
I <sub>VREF</sub>	Reference power source input current	at A/D converter operated	V <sub>REF</sub> = 5.0 V	50	150	200	μA
		at A/D converter stopped	V <sub>REF</sub> = 5.0 V			5.0	
I <sub>I(AD)</sub>	A/D port input current					5.0	μA

**NOTES:**

- 8-bit A/D mode: When the conversion mode selection bit (bit 7 of address 0038<sub>16</sub>) is "1".
- 10-bit A/D mode: When the conversion mode selection bit (bit 7 of address 0038<sub>16</sub>) is "0".

**D/A converter characteristics**

Table 26 D/A converter characteristics (Mask ROM version)  
( $V_{CC} = 2.7$  to  $5.5$  V,  $V_{REF} = 2.7$  V to  $V_{CC}$ ,  $V_{SS} = AV_{SS} = 0$  V,  $T_a = -20$  to  $85$  °C, unless otherwise noted)

Symbol	Parameter		Limits			Unit
			Min.	Typ.	Max.	
–	Resolution				8	bit
–	Absolute accuracy		$4.0 \leq V_{REF} \leq 5.5$ V		1.0	%
			$2.7 \leq V_{REF} < 4.0$ V		2.5	
t <sub>su</sub>	Setting time				3	μs
RO	Output resistor		2	3.5	5	kΩ
I <sub>VREF</sub>	Reference power source input current <sup>(1)</sup>				3.2	mA

**NOTE:**

- Using one D/A converter, with the value in the DA conversion register of the other D/A converter being "0016".

**A/D converter characteristics**

Table 27 A/D converter recommended operating conditions (Flash memory version)  
( $V_{CC} = 2.7$  to  $5.5$  V,  $V_{SS} = AV_{SS} = 0$  V,  $T_a = -20$  to  $85$  °C, unless otherwise noted)

Symbol	Parameter	Conditions	Limits			Unit
			Min.	Typ.	Max.	
V <sub>CC</sub>	Power source voltage (When A/D converter is used)	8-bit A/D mode <sup>(1)</sup>	2.7	5.0	5.5	V
		10-bit A/D mode <sup>(2)</sup>	2.7	5.0	5.5	
V <sub>REF</sub>	Analog convert reference voltage		2.0		V <sub>CC</sub>	V
AV <sub>SS</sub>	Analog power source voltage			0		V
V <sub>IA</sub>	Analog input voltage AN <sub>0</sub> -AN <sub>15</sub>		0		V <sub>CC</sub>	V
f(X <sub>IN</sub> )	Main clock input oscillation frequency (When A/D converter is used)	$2.7 \leq V_{CC} = V_{REF} < 4.0$ V	0.5		$\frac{(9 \times V_{CC} - 0.3) \times 1.05}{3}$	MHz
		$4.0 \leq V_{CC} = V_{REF} < 4.5$ V	0.5		$\frac{(24.6 \times V_{CC} - 62.7) \times 1.05}{3}$	
		$4.5 \leq V_{CC} = V_{REF} \leq 5.5$ V	0.5		16.8	

**NOTES:**

- 8-bit A/D mode: When the conversion mode selection bit (bit 7 of address 0038<sub>16</sub>) is "1".
- 10-bit A/D mode: When the conversion mode selection bit (bit 7 of address 0038<sub>16</sub>) is "0".

Table 28 A/D converter characteristics (Flash memory version)  
( $V_{CC} = 2.7$  to  $5.5$  V,  $V_{SS} = AV_{SS} = 0$  V,  $T_a = -20$  to  $85$  °C, unless otherwise noted)

Symbol	Parameter		Test conditions	Limits			Unit
				Min.	Typ.	Max.	
–	Resolution		8-bit A/D mode <sup>(1)</sup>			8	bit
			10-bit A/D mode <sup>(2)</sup>			10	
–	Absolute accuracy (excluding quantization error)		8-bit A/D mode <sup>(1)</sup>	$2.7 \leq V_{REF} \leq 5.5$ V		±2	LSB
			10-bit A/D mode <sup>(2)</sup>	$2.7 \leq V_{REF} \leq 5.5$ V		±4	LSB
t <sub>CONV</sub>	Conversion time		8-bit A/D mode <sup>(1)</sup>			50	2t <sub>c</sub> (X <sub>IN</sub> )
			10-bit A/D mode <sup>(2)</sup>			61	
RLADDER	Ladder resistor			12	35	100	kΩ
I <sub>VREF</sub>	Reference power source input current	at A/D converter operated	V <sub>REF</sub> = 5.0 V	50	150	200	μA
		at A/D converter stopped	V <sub>REF</sub> = 5.0 V			5.0	μA
I <sub>I(AD)</sub>	A/D port input current					5.0	μA

**NOTES:**

- 8-bit A/D mode: When the conversion mode selection bit (bit 7 of address 0038<sub>16</sub>) is "1".
- 10-bit A/D mode: When the conversion mode selection bit (bit 7 of address 0038<sub>16</sub>) is "0".

**D/A converter characteristics**

Table 29 D/A converter characteristics (Flash memory version)  
( $V_{CC} = 2.7$  to  $5.5$  V,  $V_{REF} = 2.7$  V to  $V_{CC}$ ,  $V_{SS} = AV_{SS} = 0$  V,  $T_a = -20$  to  $85$  °C, unless otherwise noted)

Symbol	Parameter		Limits			Unit
			Min.	Typ.	Max.	
–	Resolution				8	bit
–	Absolute accuracy	$4.0 \leq V_{REF} \leq 5.5$ V			1.0	%
		$2.7 \leq V_{REF} < 4.0$ V			2.5	
t <sub>su</sub>	Setting time				3	μs
R <sub>O</sub>	Output resistor		2	3.5	5	kΩ
I <sub>VREF</sub>	Reference power source input current <sup>(1)</sup>				3.2	mA

**NOTE:**

- Using one D/A converter, with the value in the DA conversion register of the other D/A converter being "00<sub>16</sub>".

Table 30 Power source circuit timing characteristics (Flash memory version)  
( $V_{CC} = 2.7$  to  $5.5$  V,  $V_{REF} = 2.7$  V to  $V_{CC}$ ,  $V_{SS} = AV_{SS} = 0$  V,  $T_a = -20$  to  $85$  °C, unless otherwise noted)

Symbol	Parameter	Test conditions	Limits			Unit
			Min.	Typ.	Max.	
td(P-R)	Internal power source stable time at power-on	$2.7 \leq V_{CC} < 5.5$ V			2	ms

## Timing requirements and switching characteristics

Table 31 Timing requirements (1)

(Mask ROM version:  $V_{CC} = 2.0$  to  $5.5$  V,  $V_{SS} = 0$  V,  $T_a = -20$  to  $85$  °C, unless otherwise noted)(Flash memory version:  $V_{CC} = 2.7$  to  $5.5$  V,  $V_{SS} = 0$  V,  $T_a = -20$  to  $85$  °C, unless otherwise noted)

Symbol	Parameter		Limits			Unit
			Min.	Typ.	Max.	
$t_w(\overline{\text{RESET}})$	Reset input "L" pulse width		16			XIN cycle
$t_c(X_{IN})$	Main clock XIN input cycle time	$4.5 \leq V_{CC} \leq 5.5$ V	59.5			ns
		$4.0 \leq V_{CC} < 4.5$ V	$10000/(86 V_{CC} - 219)$			
		$2.7 \leq V_{CC} < 4.0$ V	$26 \times 10^3/(82 V_{CC} - 3)$			
		$2.2 \leq V_{CC} < 2.7$ V	$10000/(84 V_{CC} - 143)$			
		$2.0 \leq V_{CC} < 2.2$ V	$10000/(105 V_{CC} - 189)$			
$t_{WH}(X_{IN})$	Main clock XIN input "H" pulse width	$4.5 \leq V_{CC} \leq 5.5$ V	25			ns
		$4.0 \leq V_{CC} < 4.5$ V	$4000/(86 V_{CC} - 219)$			
		$2.7 \leq V_{CC} < 4.0$ V	$10000/(82 V_{CC} - 3)$			
		$2.2 \leq V_{CC} < 2.7$ V	$4000/(84 V_{CC} - 143)$			
		$2.0 \leq V_{CC} < 2.2$ V	$4000/(105 V_{CC} - 189)$			
$t_{WL}(X_{IN})$	Main clock XIN input "L" pulse width	$4.5 \leq V_{CC} \leq 5.5$ V	25			ns
		$4.0 \leq V_{CC} < 4.5$ V	$4000/(86 V_{CC} - 219)$			
		$2.7 \leq V_{CC} < 4.0$ V	$10000/(82 V_{CC} - 3)$			
		$2.2 \leq V_{CC} < 2.7$ V	$4000/(84 V_{CC} - 143)$			
		$2.0 \leq V_{CC} < 2.2$ V	$4000/(105 V_{CC} - 189)$			
$t_c(X_{CIN})$	Sub-clock X <sub>CIN</sub> input cycle time		20			μs
$t_{WH}(X_{CIN})$	Sub-clock X <sub>CIN</sub> input "H" pulse width		5			μs
$t_{WL}(X_{CIN})$	Sub-clock X <sub>CIN</sub> input "L" pulse width		5			μs
$t_c(\text{CNTR})$	CNTR <sub>0</sub> –CNTR <sub>2</sub> input cycle time	$4.5 \leq V_{CC} \leq 5.5$ V	120			ns
		$4.0 \leq V_{CC} < 4.5$ V	160			
		$2.7 \leq V_{CC} < 4.0$ V	250			
		$2.2 \leq V_{CC} < 2.7$ V	500			
		$2.0 \leq V_{CC} < 2.2$ V	1000			
$t_{WH}(\text{CNTR})$	CNTR <sub>0</sub> –CNTR <sub>2</sub> input "H" pulse width	$4.5 \leq V_{CC} \leq 5.5$ V	48			ns
		$4.0 \leq V_{CC} < 4.5$ V	64			
		$2.7 \leq V_{CC} < 4.0$ V	115			
		$2.2 \leq V_{CC} < 2.7$ V	230			
		$2.0 \leq V_{CC} < 2.2$ V	460			
$t_{WL}(\text{CNTR})$	CNTR <sub>0</sub> –CNTR <sub>2</sub> input "L" pulse width	$4.5 \leq V_{CC} \leq 5.5$ V	48			ns
		$4.0 \leq V_{CC} < 4.5$ V	64			
		$2.7 \leq V_{CC} < 4.0$ V	115			
		$2.2 \leq V_{CC} < 2.7$ V	230			
		$2.0 \leq V_{CC} < 2.2$ V	460			
$t_{WH}(\text{INT})$	INT <sub>00</sub> , INT <sub>01</sub> , INT <sub>1</sub> , INT <sub>2</sub> , INT <sub>3</sub> , INT <sub>40</sub> , INT <sub>41</sub> input "H" pulse width	$4.5 \leq V_{CC} \leq 5.5$ V	48			ns
		$4.0 \leq V_{CC} < 4.5$ V	64			
		$2.7 \leq V_{CC} < 4.0$ V	115			
		$2.2 \leq V_{CC} < 2.7$ V	230			
		$2.0 \leq V_{CC} < 2.2$ V	460			
$t_{WL}(\text{INT})$	INT <sub>00</sub> , INT <sub>01</sub> , INT <sub>1</sub> , INT <sub>2</sub> , INT <sub>3</sub> , INT <sub>40</sub> , INT <sub>41</sub> input "L" pulse width	$4.5 \leq V_{CC} \leq 5.5$ V	48			ns
		$4.0 \leq V_{CC} < 4.5$ V	64			
		$2.7 \leq V_{CC} < 4.0$ V	115			
		$2.2 \leq V_{CC} < 2.7$ V	230			
		$2.0 \leq V_{CC} < 2.2$ V	460			



Table 32 Timing requirements (2)

(Mask ROM version:  $V_{CC} = 2.0$  to  $5.5$  V,  $V_{SS} = 0$  V,  $T_a = -20$  to  $85$  °C, unless otherwise noted)(Flash memory version:  $V_{CC} = 2.7$  to  $5.5$  V,  $V_{SS} = 0$  V,  $T_a = -20$  to  $85$  °C, unless otherwise noted)

Symbol	Parameter	Limits			Unit
		Min.	Typ.	Max.	
tc(SCLK1) tc(SCLK3)	Serial I/O1, serial I/O3 clock input cycle time <sup>(1)</sup>	$4.5 \leq V_{CC} \leq 5.5$ V	250		ns
		$4.0 \leq V_{CC} < 4.5$ V	320		
		$2.7 \leq V_{CC} < 4.0$ V	500		
		$2.2 \leq V_{CC} < 2.7$ V	1000		
		$2.0 \leq V_{CC} < 2.2$ V	2000		
tWH(SCLK1) tWH(SCLK3)	Serial I/O1, serial I/O3 clock input "H" pulse width <sup>(1)</sup>	$4.5 \leq V_{CC} \leq 5.5$ V	120		ns
		$4.0 \leq V_{CC} < 4.5$ V	150		
		$2.7 \leq V_{CC} < 4.0$ V	240		
		$2.2 \leq V_{CC} < 2.7$ V	480		
		$2.0 \leq V_{CC} < 2.2$ V	950		
tWL(SCLK1) tWL(SCLK3)	Serial I/O1, serial I/O3 clock input "L" pulse width <sup>(1)</sup>	$4.5 \leq V_{CC} \leq 5.5$ V	120		ns
		$4.0 \leq V_{CC} < 4.5$ V	150		
		$2.7 \leq V_{CC} < 4.0$ V	240		
		$2.2 \leq V_{CC} < 2.7$ V	480		
		$2.0 \leq V_{CC} < 2.2$ V	950		
tsu(RxD1-SCLK1) tsu(RxD3-SCLK3)	Serial I/O1, serial I/O3 clock input setup time	$4.5 \leq V_{CC} \leq 5.5$ V	70		ns
		$4.0 \leq V_{CC} < 4.5$ V	90		
		$2.7 \leq V_{CC} < 4.0$ V	100		
		$2.2 \leq V_{CC} < 2.7$ V	200		
		$2.0 \leq V_{CC} < 2.2$ V	400		
th(SCLK1-RxD1) th(SCLK3-RxD3)	Serial I/O1, serial I/O3 clock input hold time	$4.5 \leq V_{CC} \leq 5.5$ V	32		ns
		$4.0 \leq V_{CC} < 4.5$ V	40		
		$2.7 \leq V_{CC} < 4.0$ V	50		
		$2.2 \leq V_{CC} < 2.7$ V	100		
		$2.0 \leq V_{CC} < 2.2$ V	200		
tc(SCLK2)	Serial I/O2 clock input cycle time	$4.5 \leq V_{CC} \leq 5.5$ V	500		ns
		$4.0 \leq V_{CC} < 4.5$ V	650		
		$2.7 \leq V_{CC} < 4.0$ V	1000		
		$2.2 \leq V_{CC} < 2.7$ V	2000		
		$2.0 \leq V_{CC} < 2.2$ V	4000		
tWH(SCLK2)	Serial I/O2 clock input "H" pulse width	$4.5 \leq V_{CC} \leq 5.5$ V	200		ns
		$4.0 \leq V_{CC} < 4.5$ V	260		
		$2.7 \leq V_{CC} < 4.0$ V	400		
		$2.2 \leq V_{CC} < 2.7$ V	950		
		$2.0 \leq V_{CC} < 2.2$ V	2000		
tWL(SCLK2)	Serial I/O2 clock input "L" pulse width	$4.5 \leq V_{CC} \leq 5.5$ V	200		ns
		$4.0 \leq V_{CC} < 4.5$ V	260		
		$2.7 \leq V_{CC} < 4.0$ V	400		
		$2.2 \leq V_{CC} < 2.7$ V	950		
		$2.0 \leq V_{CC} < 2.2$ V	2000		
tsu(SIN2-SCLK2)	Serial I/O2 clock input setup time	$4.5 \leq V_{CC} \leq 5.5$ V	100		ns
		$4.0 \leq V_{CC} < 4.5$ V	130		
		$2.7 \leq V_{CC} < 4.0$ V	200		
		$2.2 \leq V_{CC} < 2.7$ V	400		
		$2.0 \leq V_{CC} < 2.2$ V	800		
th(SCLK2-SIN2)	Serial I/O2 clock input hold time	$4.5 \leq V_{CC} \leq 5.5$ V	100		ns
		$4.0 \leq V_{CC} < 4.5$ V	130		
		$2.7 \leq V_{CC} < 4.0$ V	150		
		$2.2 \leq V_{CC} < 2.7$ V	300		
		$2.0 \leq V_{CC} < 2.2$ V	600		

## NOTE:

- When bit 6 of address 001A<sub>16</sub> and bit 6 of address 0032<sub>16</sub> are "1" (clock synchronous).  
Divide this value by four when bit 6 of address 001A<sub>16</sub> and bit 6 of address 0032<sub>16</sub> are "0" (UART).

Table 33 Switching characteristics (1)

(Mask ROM version:  $V_{CC} = 2.0$  to  $5.5$  V,  $V_{SS} = 0$  V,  $T_a = -20$  to  $85$  °C, unless otherwise noted)(Flash memory version:  $V_{CC} = 2.7$  to  $5.5$  V,  $V_{SS} = 0$  V,  $T_a = -20$  to  $85$  °C, unless otherwise noted)

Symbol	Parameter	Test conditions	Limits			Unit	
			Min.	Typ.	Max.		
t <sub>WH</sub> (SCLK1) t <sub>WH</sub> (SCLK3)	Serial I/O1, serial I/O3 clock output "H" pulse width	4.5 ≤ V <sub>CC</sub> ≤ 5.5 V 4.0 ≤ V <sub>CC</sub> < 4.5 V 2.7 ≤ V <sub>CC</sub> < 4.0 V 2.2 ≤ V <sub>CC</sub> < 2.7 V 2.0 ≤ V <sub>CC</sub> < 2.2 V	tc(SCLK1)/2-30, tc(SCLK3)/2-30			ns	
				tc(SCLK1)/2-35, tc(SCLK3)/2-35			
				tc(SCLK1)/2-40, tc(SCLK3)/2-40			
				tc(SCLK1)/2-45, tc(SCLK3)/2-45			
				tc(SCLK1)/2-50, tc(SCLK3)/2-50			
t <sub>WL</sub> (SCLK1) t <sub>WL</sub> (SCLK3)	Serial I/O1, serial I/O3 clock output "L" pulse width	4.5 ≤ V <sub>CC</sub> ≤ 5.5 V 4.0 ≤ V <sub>CC</sub> < 4.5 V 2.7 ≤ V <sub>CC</sub> < 4.0 V 2.2 ≤ V <sub>CC</sub> < 2.7 V 2.0 ≤ V <sub>CC</sub> < 2.2 V	tc(SCLK1)/2-30, tc(SCLK3)/2-30			ns	
				tc(SCLK1)/2-35, tc(SCLK3)/2-35			
				tc(SCLK1)/2-40, tc(SCLK3)/2-40			
				tc(SCLK1)/2-45, tc(SCLK3)/2-45			
				tc(SCLK1)/2-50, tc(SCLK3)/2-50			
t <sub>d</sub> (SCLK1-TxD1) t <sub>d</sub> (SCLK3-TxD3)	Serial I/O1, serial I/O3 output delay time <sup>(1)</sup>	4.5 ≤ V <sub>CC</sub> ≤ 5.5 V 4.0 ≤ V <sub>CC</sub> < 4.5 V 2.7 ≤ V <sub>CC</sub> < 4.0 V 2.2 ≤ V <sub>CC</sub> < 2.7 V 2.0 ≤ V <sub>CC</sub> < 2.2 V			140	ns	
					200		
					350		
					400		
					420		
t <sub>v</sub> (SCLK1-TxD1) t <sub>v</sub> (SCLK3-TxD3)	Serial I/O1, serial I/O3 output valid time <sup>(1)</sup>	4.5 ≤ V <sub>CC</sub> ≤ 5.5 V 4.0 ≤ V <sub>CC</sub> < 4.5 V 2.7 ≤ V <sub>CC</sub> < 4.0 V 2.2 ≤ V <sub>CC</sub> < 2.7 V 2.0 ≤ V <sub>CC</sub> < 2.2 V	-30			ns	
				-30			
				-30			
				-30			
				-30			
t <sub>r</sub> (SCLK1) t <sub>r</sub> (SCLK3)	Serial I/O1, serial I/O3 rise time of clock output	4.5 ≤ V <sub>CC</sub> ≤ 5.5 V 4.0 ≤ V <sub>CC</sub> < 4.5 V 2.7 ≤ V <sub>CC</sub> < 4.0 V 2.2 ≤ V <sub>CC</sub> < 2.7 V 2.0 ≤ V <sub>CC</sub> < 2.2 V			30	ns	
					35		
					40		
					45		
					50		
t <sub>f</sub> (SCLK1) t <sub>f</sub> (SCLK3)	Serial I/O1, serial I/O3 fall time of clock output	4.5 ≤ V <sub>CC</sub> ≤ 5.5 V 4.0 ≤ V <sub>CC</sub> < 4.5 V 2.7 ≤ V <sub>CC</sub> < 4.0 V 2.2 ≤ V <sub>CC</sub> < 2.7 V 2.0 ≤ V <sub>CC</sub> < 2.2 V			30	ns	
					35		
					40		
					45		
					50		
t <sub>WH</sub> (SCLK2)	Serial I/O2 clock output "H" pulse width	4.5 ≤ V <sub>CC</sub> ≤ 5.5 V 4.0 ≤ V <sub>CC</sub> < 4.5 V 2.7 ≤ V <sub>CC</sub> < 4.0 V 2.2 ≤ V <sub>CC</sub> < 2.7 V 2.0 ≤ V <sub>CC</sub> < 2.2 V	tc(SCLK2)/2-160			ns	
				tc(SCLK2)/2-200			
				tc(SCLK2)/2-240			
				tc(SCLK2)/2-260			
				tc(SCLK2)/2-280			
t <sub>WL</sub> (SCLK2)	Serial I/O2 clock output "L" pulse width	4.5 ≤ V <sub>CC</sub> ≤ 5.5 V 4.0 ≤ V <sub>CC</sub> < 4.5 V 2.7 ≤ V <sub>CC</sub> < 4.0 V 2.2 ≤ V <sub>CC</sub> < 2.7 V 2.0 ≤ V <sub>CC</sub> < 2.2 V	tc(SCLK2)/2-160			ns	
				tc(SCLK2)/2-200			
				tc(SCLK2)/2-240			
				tc(SCLK2)/2-260			
				tc(SCLK2)/2-280			
t <sub>d</sub> (SCLK2-SOUT2)	Serial I/O2 output delay time	4.5 ≤ V <sub>CC</sub> ≤ 5.5 V 4.0 ≤ V <sub>CC</sub> < 4.5 V 2.7 ≤ V <sub>CC</sub> < 4.0 V 2.2 ≤ V <sub>CC</sub> < 2.7 V 2.0 ≤ V <sub>CC</sub> < 2.2 V			200	ns	
					250		
					300		
					350		
					400		
t <sub>v</sub> (SCLK2-SOUT2)	Serial I/O2 output valid time	4.5 ≤ V <sub>CC</sub> ≤ 5.5 V 4.0 ≤ V <sub>CC</sub> < 4.5 V 2.7 ≤ V <sub>CC</sub> < 4.0 V 2.2 ≤ V <sub>CC</sub> < 2.7 V 2.0 ≤ V <sub>CC</sub> < 2.2 V		0		ns	
				0			
				0			
				0			
				0			

Fig.82

## NOTE:

- When the P4s/TxD1 P-channel output disable bit of the UART1 control register (bit 4 of address 001B16) is "0".

Table 34 Switching characteristics (2)

(Mask ROM version:  $V_{CC} = 2.0$  to  $5.5$  V,  $V_{SS} = 0$  V,  $T_a = -20$  to  $85$  °C, unless otherwise noted)

(Flash memory version:  $V_{CC} = 2.7$  to  $5.5$  V,  $V_{SS} = 0$  V,  $T_a = -20$  to  $85$  °C, unless otherwise noted)

Symbol	Parameter	Test conditions	Limits			Unit
			Min.	Typ.	Max.	
$t_f(\text{SCLK2})$	Serial I/O2 fall time of clock output	Fig.82	$4.5 \leq V_{CC} \leq 5.5$ V		30	ns
			$4.0 \leq V_{CC} < 4.5$ V		35	
			$2.7 \leq V_{CC} < 4.0$ V		40	
			$2.2 \leq V_{CC} < 2.7$ V		45	
			$2.0 \leq V_{CC} < 2.2$ V		50	
$t_r(\text{CMOS})$	CMOS rise time of output <sup>(1)</sup>	Fig.82	$4.5 \leq V_{CC} \leq 5.5$ V	10	30	ns
			$4.0 \leq V_{CC} < 4.5$ V	12	35	
			$2.7 \leq V_{CC} < 4.0$ V	15	40	
			$2.2 \leq V_{CC} < 2.7$ V	17	45	
			$2.0 \leq V_{CC} < 2.2$ V	20	50	
$t_f(\text{CMOS})$	CMOS fall time of output <sup>(1)</sup>	Fig.82	$4.5 \leq V_{CC} \leq 5.5$ V	10	30	ns
			$4.0 \leq V_{CC} < 4.5$ V	12	35	
			$2.7 \leq V_{CC} < 4.0$ V	15	40	
			$2.2 \leq V_{CC} < 2.7$ V	17	45	
			$2.0 \leq V_{CC} < 2.2$ V	20	50	

NOTE:

1. When the P3s/TxD3 P4-channel output disable bit of the UART3 control register (bit 4 of address 003316) is "0".

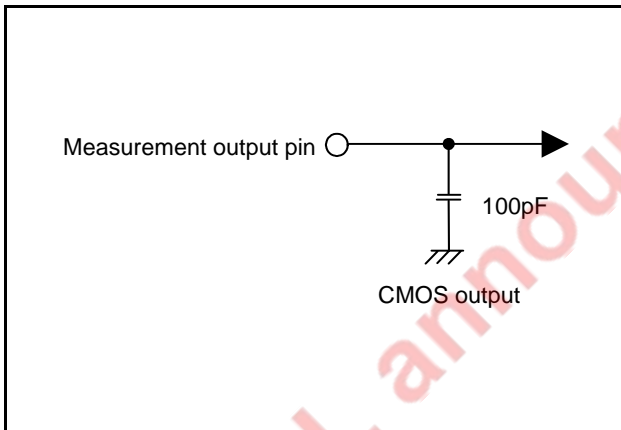


Fig 82. Circuit for measuring output switching characteristics (1)

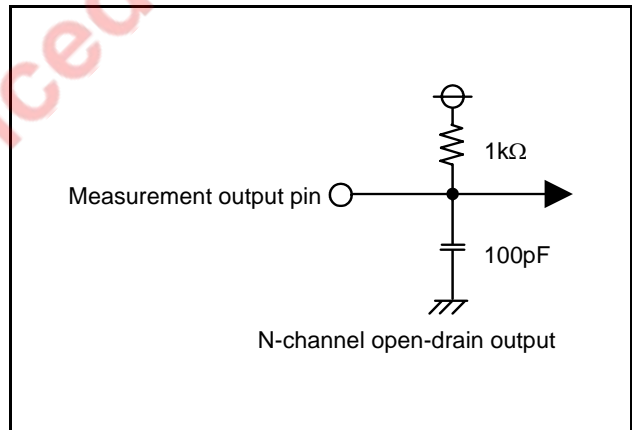


Fig 83. Circuit for measuring output switching characteristics (2)

Single-chip mode timing diagram

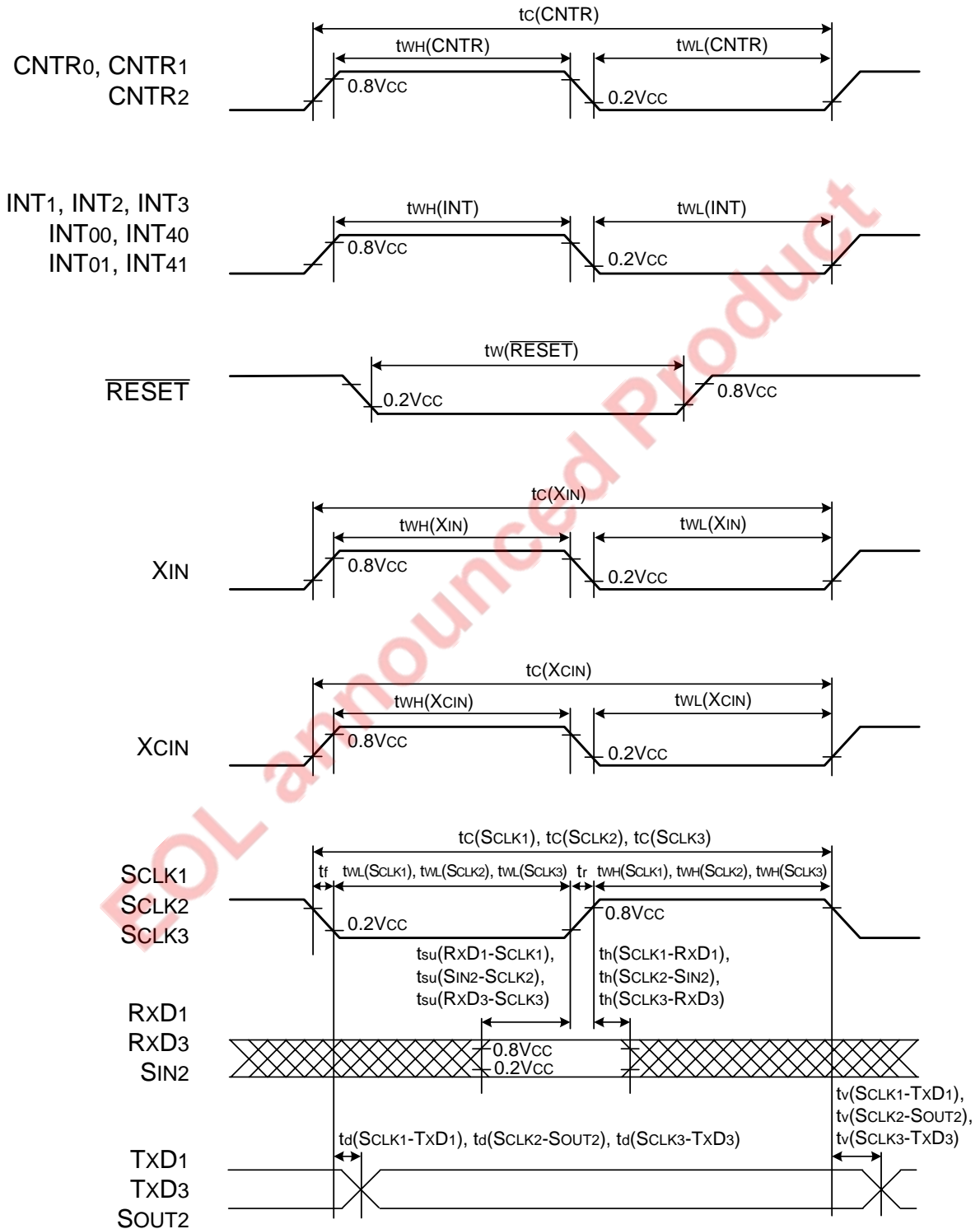
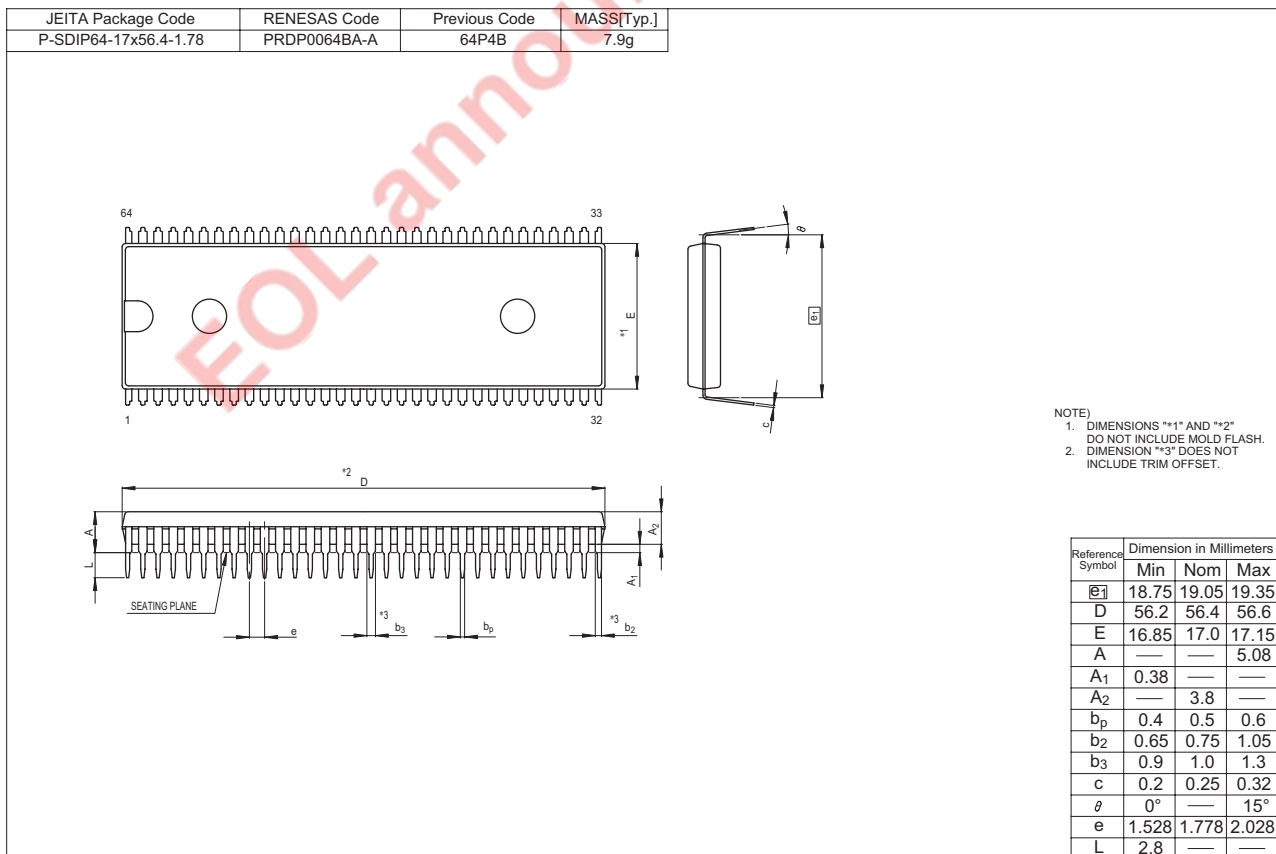
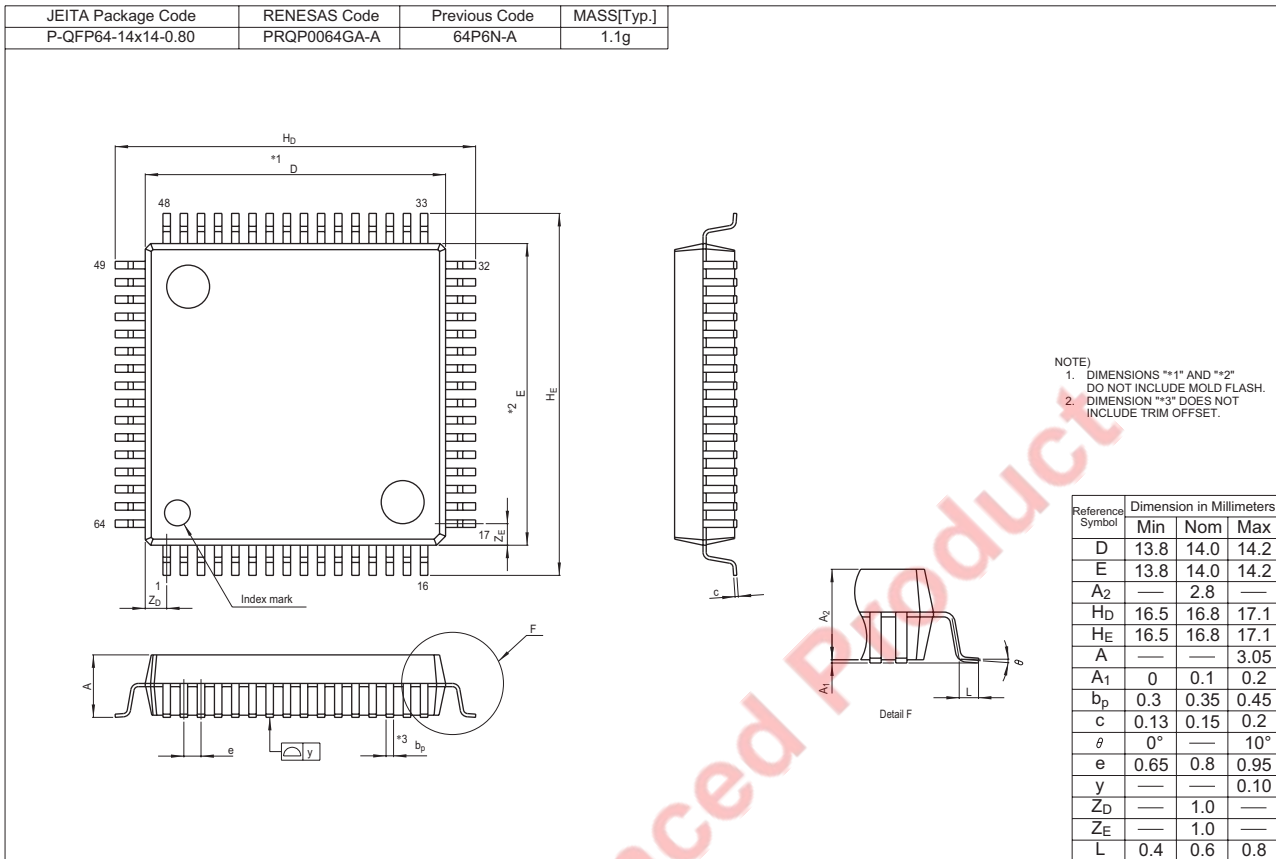
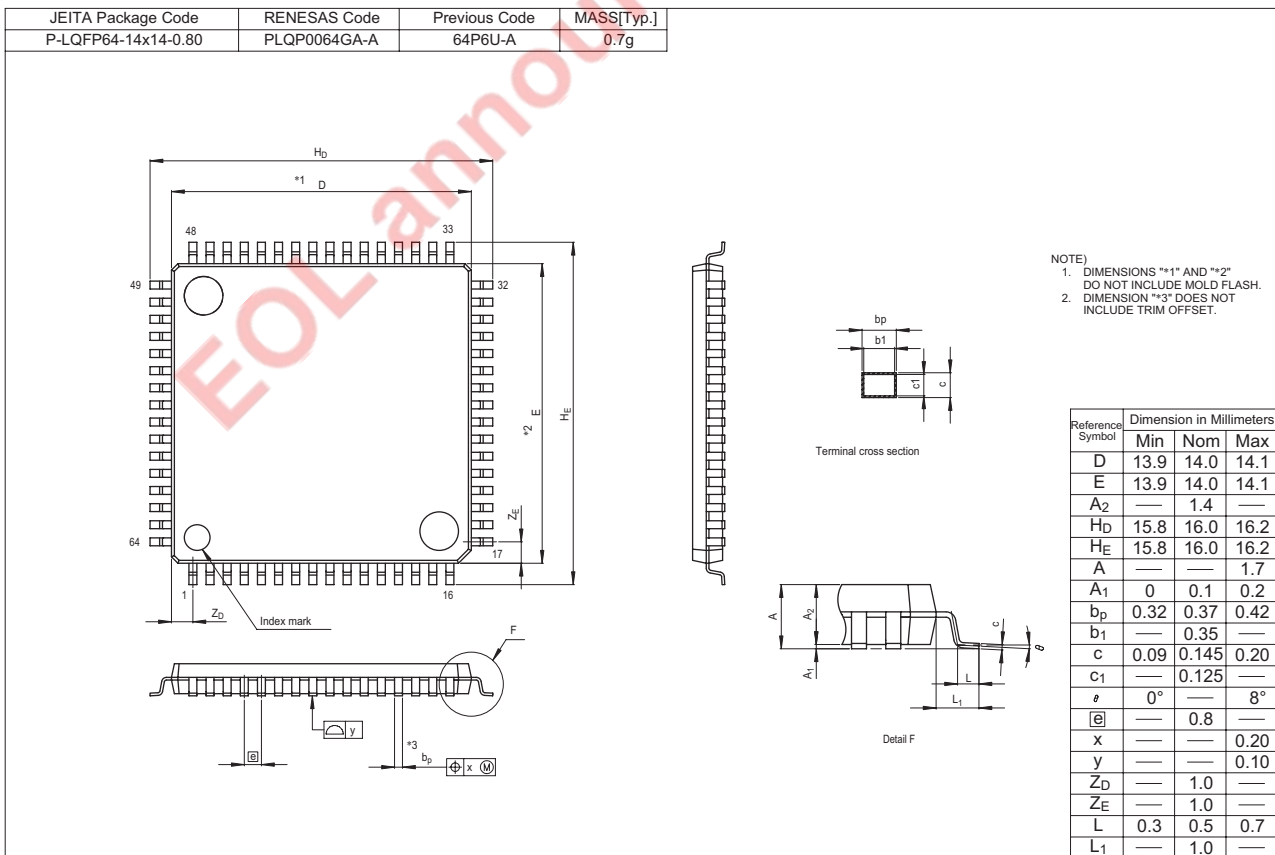
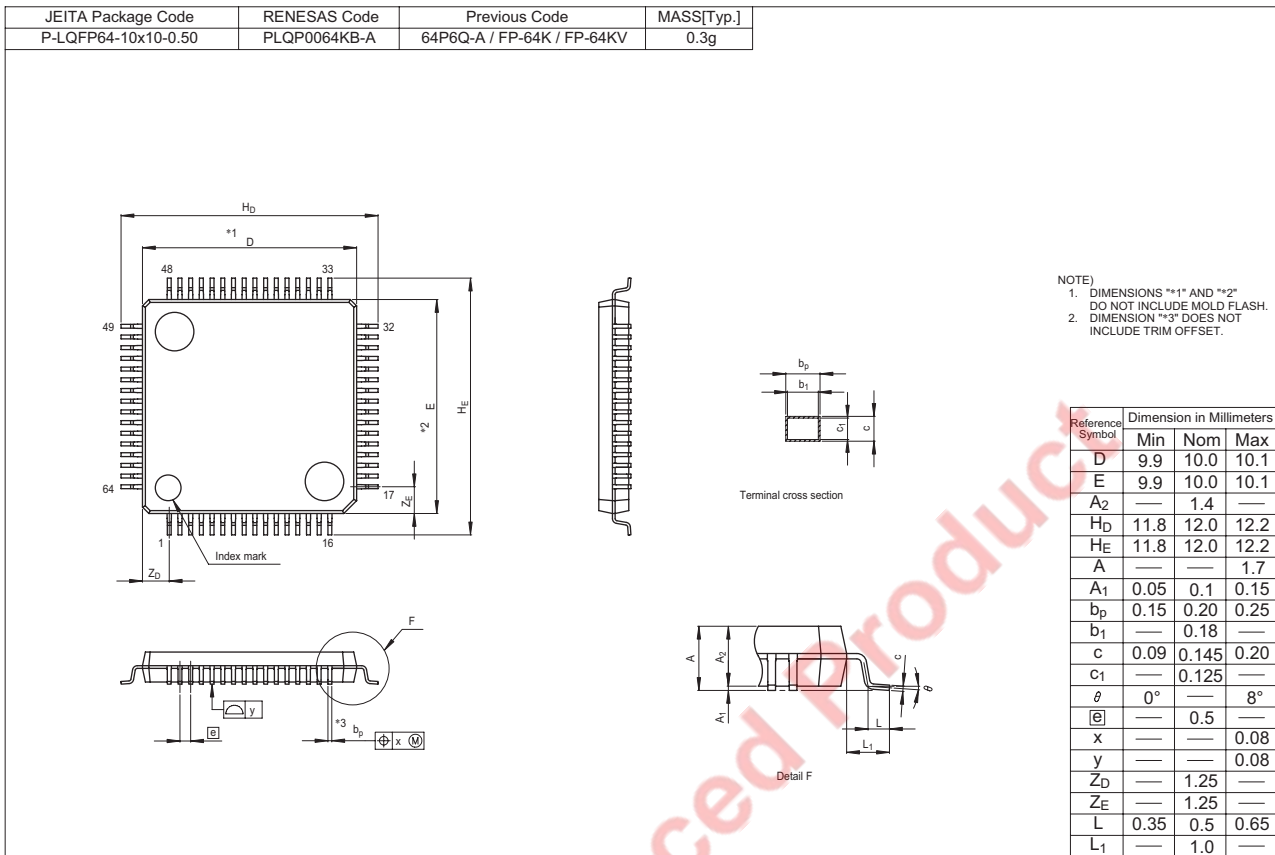
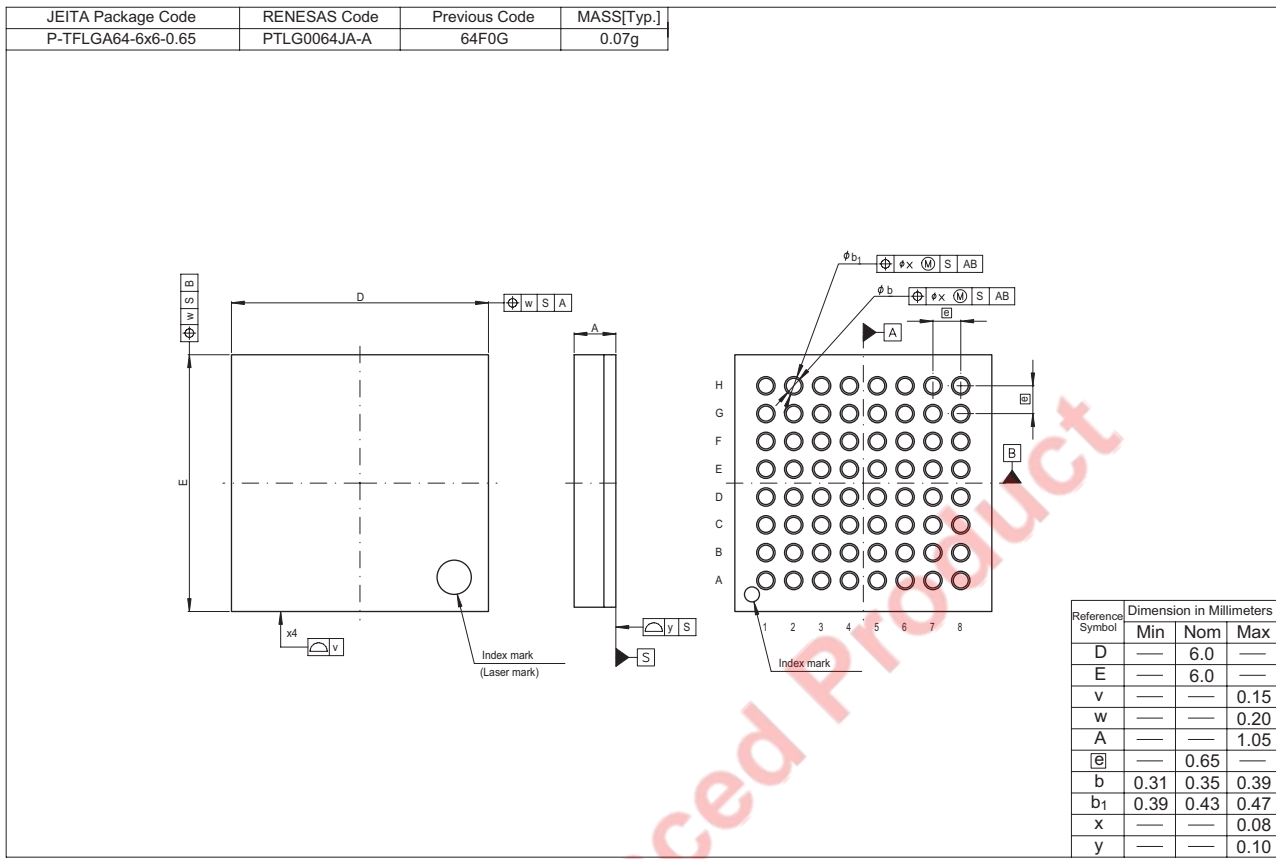


Fig 84. Timing diagram (in single-chip mode)

PACKAGE OUTLINE







EOL announced Product

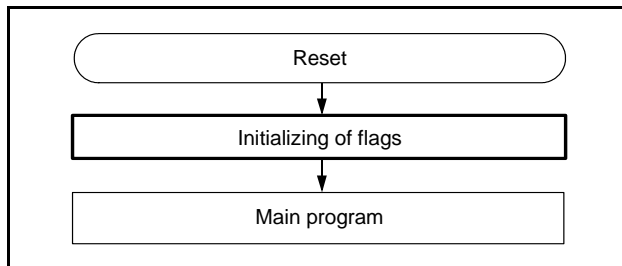
**NOTES****NOTES ON PROGRAMMING****1. Processor Status Register**

(1) Initializing of processor status register

Flags which affect program execution must be initialized after a reset. In particular, it is essential to initialize the T and D flags because they have an important effect on calculations.

<Reason>

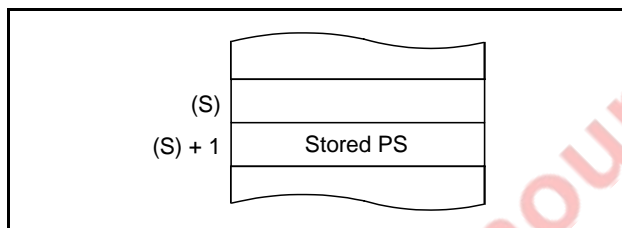
After a reset, the contents of the processor status register (PS) are undefined except for the I flag which is "1".



**Fig 85. Initialization of processor status register**

(2) How to reference the processor status register

To reference the contents of the processor status register (PS), execute the PHP instruction once then read the contents of (S+1). If necessary, execute the PLP instruction to return the PS to its original status.



**Fig 86. Stack memory contents after PHP instruction execution**

**2. BRK instruction**

(1) Interrupt priority level

When the BRK instruction is executed with the following conditions satisfied, the interrupt execution is started from the address of interrupt vector which has the highest priority.

- Interrupt request bit and interrupt enable bit are set to "1".
- Interrupt disable flag (I) is set to "1" to disable interrupt.

**3. Decimal calculations**

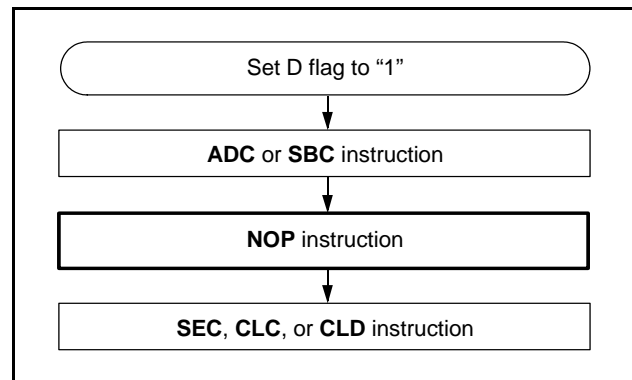
(1) Execution of decimal calculations

The ADC and SBC are the only instructions which will yield proper decimal notation, set the decimal mode flag (D) to "1" with the SED instruction. After executing the ADC or SBC instruction, execute another instruction before executing the SEC, CLC, or CLD instruction.

(2) Notes on status flag in decimal mode

When decimal mode is selected, the values of three of the flags in the status register (the N, V, and Z flags) are invalid after a ADC or SBC instruction is executed.

The carry flag (C) is set to "1" if a carry is generated as a result of the calculation, or is cleared to "0" if a borrow is generated. To determine whether a calculation has generated a carry, the C flag must be initialized to "0" before each calculation. To check for a borrow, the C flag must be initialized to "1" before each calculation.



**Fig 87. Execution of decimal calculations**

**4. JMP instruction**

When using the JMP instruction in indirect addressing mode, do not specify the last address on a page as an indirect address.

**5. Multiplication and Division Instructions**

- The index X mode (T) and the decimal mode (D) flags do not affect the MUL and DIV instruction.
- The execution of these instructions does not change the contents of the processor status register.

**6. Ports**

The contents of the port direction registers cannot be read. The following cannot be used:

- The data transfer instruction (LDA, etc.)
- The operation instruction when the index X mode flag (T) is "1"
- The instruction with the addressing mode which uses the value of a direction register as an index
- The bit-test instruction (BBC or BBS, etc.) to a direction register
- The read-modify-write instructions (ROR, CLB, or SEB, etc.) to a direction register.

Use instructions such as LDM and STA, etc., to set the port direction registers.

**7. Instruction Execution Timing**

The instruction execution time can be obtained by multiplying the frequency of the internal clock  $\phi$  by the number of cycles mentioned in the 740 Family Software Manual.

The frequency of the internal clock  $\phi$  is the twice the  $X_{IN}$  cycle in high-speed mode, 8 times the  $X_{IN}$  cycle in middle-speed mode, and the twice the  $X_{CIN}$  in low-speed mode.



## NOTES ON PERIPHERAL FUNCTIONS

### Notes on Input and Output Ports

#### 1. Notes in standby state

In standby state<sup>\*1</sup> for low-power dissipation, do not make input levels of an I/O port “undefined”. Even when an I/O port of Nchannel open-drain is set as output mode, if output data is “1”, the aforementioned notes are necessary.

Pull-up (connect the port to VCC) or pull-down (connect the port to VSS) these ports through a resistor.

When determining a resistance value, note the following points:

- External circuit
- Variation of output levels during the ordinary operation

When using built-in pull-up resistor, note on varied current values:

- When setting as an input port : Fix its input level
- When setting as an output port : Prevent current from flowing out to external

<Reason>

Exclusive input ports are always in a high-impedance state. An output transistor becomes an OFF state when an I/O port is set as input mode by the direction register, so that the port enter a highimpedance state. At this time, the potential which is input to the input buffer in a microcomputer is unstable in the state that input levels are “undefined”. This may cause power source current.

Even when an I/O port of N-channel open-drain is set as output mode by the direction register, if the contents of the port latch is “1”, the same phenomenon as that of an input port will occur.

\*1 Standby state : stop mode by executing STP instruction  
wait mode by executing WIT instruction

#### 2. Modifying output data with bit managing instruction

When the port latch of an I/O port is modified with the bit managing instruction<sup>\*2</sup>, the value of the unspecified bit may be changed.

<Reason>

The bit managing instructions are read-modify-write form instructions for reading and writing data by a byte unit. Accordingly, when these instructions are executed on a bit of the port latch of an I/O port, the following is executed to all bits of the port latch.

- As for bit which is set for input port:  
The pin state is read in the CPU, and is written to this bit after bit managing.
- As for bit which is set for output port:  
The bit value is read in the CPU, and is written to this bit after bit managing.

Note the following:

- Even when a port which is set as an output port is changed for an input port, its port latch holds the output data.
- As for a bit of which is set for an input port, its value may be changed even when not specified with a bit managing instruction in case where the pin state differs from its port latch contents.

\*2 Bit managing instructions : SEB, and CLB instructions

## Termination of Unused Pins

### 1. Terminate unused pins

(1) Output ports : Open

(2) I/O ports :

- Set the I/O ports for the input mode and connect them to VCC or VSS through each resistor of 1 kΩ to 10 kΩ  
Ports that permit the selecting of a built-in pull-up resistor can also use this resistor. Set the I/O ports for the output mode and open them at “L” or “H”.
- When opening them in the output mode, the input mode of the initial status remains until the mode of the ports is switched over to the output mode by the program after reset. Thus, the potential at these pins is undefined and the power source current may increase in the input mode. With regard to an effects on the system, thoroughly perform system evaluation on the user side.
- Since the direction register setup may be changed because of a program runaway or noise, set direction registers by program periodically to increase the reliability of program.

(3) The AVSS pin when not using the A/D converter :

- When not using the A/D converter, handle a power source pin for the A/D converter, AVSS pin as follows:  
AVSS: Connect to the VSS pin.

### 2. Termination remarks

(1) I/O ports :

Do not open in the input mode.

<Reason>

- The power source current may increase depending on the firststage circuit.
- An effect due to noise may be easily produced as compared with proper termination (2) in 1 and shown on the above.

(2) I/O ports :

When setting for the input mode, do not connect to VCC or VSS directly.

<Reason>

If the direction register setup changes for the output mode because of a program runaway or noise, a short circuit may occur between a port and VCC (or VSS).

(3) I/O ports :

When setting for the input mode, do not connect multiple ports in a lump to VCC or VSS through a resistor.

<Reason>

If the direction register setup changes for the output mode because of a program runaway or noise, a short circuit may occur between ports.

- At the termination of unused pins, perform wiring at the shortest possible distance (20 mm or less) from micro-computer pins.

## Notes on Interrupts

### 1. Change of relevant register settings

When the setting of the following registers or bits is changed, the interrupt request bit may be set to "1". When not requiring the interrupt occurrence synchronized with these setting, take the following sequence.

- Interrupt edge selection register (address 003A16)
- Timer XY mode register (address 002316)
- Timer Z mode register (address 002A16)

Set the above listed registers or bits as the following sequence.

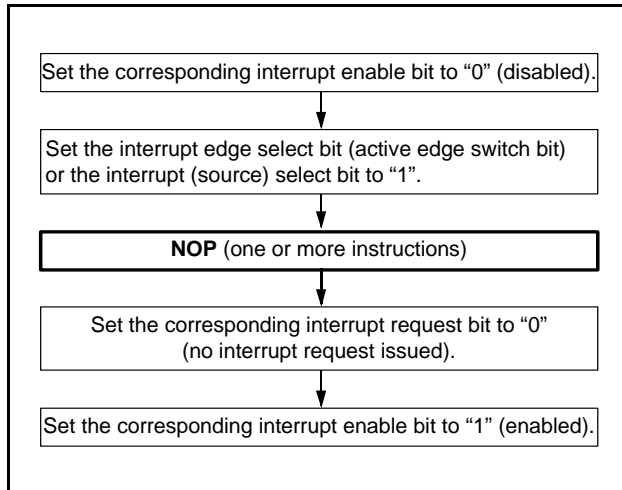


Fig 88. Sequence of changing relevant register

<Reason>

When setting the followings, the interrupt request bit may be set to "1".

- When setting external interrupt active edge  
Concerned register: Interrupt edge selection register (address 003A16)  
Timer XY mode register (address 002316)  
Timer Z mode register (address 002A16)
- When switching interrupt sources of an interrupt vector address where two or more interrupt sources are allocated.  
Concerned register: Interrupt source selection register (address 003916)

### 2. Check of interrupt request bit

When executing the BBC or BBS instruction to an interrupt request bit of an interrupt request register immediately after this bit is set to "0", execute one or more instructions before executing the BBC or BBS instruction.

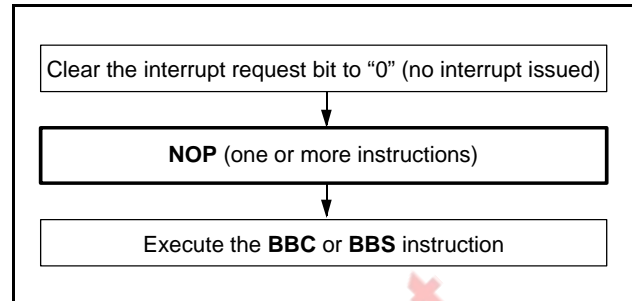


Fig 89. Sequence of check of interrupt request bit

<Reason>

If the BBC or BBS instruction is executed immediately after an interrupt request bit of an interrupt request register is cleared to "0", the value of the interrupt request bit before being cleared to "0" is read.

**Notes on 8-bit Timer (timer 1, 2, X, Y)**

- If a value  $n$  (between 0 and 255) is written to a timer latch, the frequency division ratio is  $1/(n+1)$ .
- When switching the count source by the timer 12, X and Y count source selection bits, the value of timer count is altered in unconsiderable amount owing to generating of thin pulses in the count input signals.  
Therefore, select the timer count source before set the value to the prescaler and the timer.
- Set the double-function port of the CNTR0/CNTR1 pin and port P54/P55 to output in the pulse output mode.
- Set the double-function port of CNTR0/CNTR1 pin and port P54/P55 to input in the event counter mode and the pulse width measurement mode.

**Notes on 16-bit Timer (timer Z)****1. Pulse output mode**

- Set the double-function port of the CNTR2 pin and port P47 to output.

**2. Pulse period measurement mode**

- Set the double-function port of the CNTR2 pin and port P47 to input.
- A read-out of timer value is impossible in this mode. The timer can be written to only during timer stop (no measurement of pulse period).
- Since the timer latch in this mode is specialized for the read-out of measured values, do not perform any write operation during measurement.
- “FFFF16” is set to the timer when the timer underflows or when the valid edge of measurement start/completion is detected.  
Consequently, the timer value at start of pulse period measurement depends on the timer value just before measurement start.

**3. Pulse width measurement mode**

- Set the double-function port of the CNTR2 pin and port P47 to input.
- A read-out of timer value is impossible in this mode. The timer can be written to only during timer stop (no measurement of pulse period).
- Since the timer latch in this mode is specialized for the read-out of measured values, do not perform any write operation during measurement.
- “FFFF16” is set to the timer when the timer underflows or when the valid edge of measurement start/completion is detected.  
Consequently, the timer value at start of pulse width measurement depends on the timer value just before measurement start.

**4. Programmable waveform generating mode**

- Set the double-function port of the CNTR2 pin and port P47 to output.

**5. Programmable one-shot generating mode**

- Set the double-function port of CNTR2 pin and port P47 to output, and of INT1 pin and port P42 to input in this mode.
- This mode cannot be used in low-speed mode.
- If the value of the CNTR2 active edge switch bit is changed during one-shot generating enabled or generating one-shot pulse, then the output level from CNTR2 pin changes.

**6. All modes**

- Timer Z write control

Which write control can be selected by the timer Z write control bit (bit 3) of the timer Z mode register (address 002A16), writing data to both the latch and the timer at the same time or writing data only to the latch.

When the operation “writing data only to the latch” is selected, the value is set to the timer latch by writing data to the address of timer Z and the timer is updated at next underflow. After reset release, the operation “writing data to both the latch and the timer at the same time” is selected, and the value is set to both the latch and the timer at the same time by writing data to the address of timer Z.

In the case of writing data only to the latch, if writing data to the latch and an underflow are performed almost at the same time, the timer value may become undefined.

- Timer Z read control

A read-out of timer value is impossible in pulse period measurement mode and pulse width measurement mode. In the other modes, a read-out of timer value is possible regardless of count operating or stopped.

However, a read-out of timer latch value is impossible.

- Switch of interrupt active edge of CNTR2 and INT1

Each interrupt active edge depends on setting of the CNTR2 active edge switch bit and the INT1 active edge selection bit.

- Switch of count source

When switching the count source by the timer Z count source selection bits, the value of timer count is altered in inconsiderable amount owing to generating of thin pulses on the count input signals.

Therefore, select the timer count source before setting the value to the prescaler and the timer.

## Notes on Serial Interface

### 1. Notes when selecting clock synchronous serial I/O

#### (1) Stop of transmission operation

As for serial I/O<sub>i</sub> (i = 1, 3) that can be used as either a clock synchronous or an asynchronous (UART) serial I/O, clear the serial I/O<sub>i</sub> enable bit and the transmit enable bit to "0" (serial I/O and transmit disabled).

<Reason>

Since transmission is not stopped and the transmission circuit is not initialized even if only the serial I/O<sub>i</sub> enable bit is cleared to "0" (serial I/O<sub>i</sub> disabled), the internal transmission is running (in this case, since pins TxDi, RxDi, SCLKi, and  $\overline{\text{SRDY}}_i$  function as I/O ports, the transmission data is not output). When data is written to the transmit buffer register in this state, data starts to be shifted to the transmit shift register. When the serial I/O<sub>i</sub> enable bit is set to "1" at this time, the data during internally shifting is output to the TxDi pin and an operation failure occurs.

#### (2) Stop of receive operation

As for serial I/O<sub>i</sub> (i = 1, 3) that can be used as either a clock synchronous or an asynchronous (UART) serial I/O, clear the receive enable bit to "0" (receive disabled), or clear the serial I/O<sub>i</sub> enable bit to "0" (serial I/O<sub>i</sub> disabled).

#### (3) Stop of transmit/receive operation

As for serial I/O<sub>i</sub> (i = 1, 3) that can be used as either a clock synchronous or an asynchronous (UART) serial I/O, clear both the transmit enable bit and receive enable bit to "0" (transmit and receive disabled).

(when data is transmitted and received in the clock synchronous serial I/O mode, any one of data transmission and reception cannot be stopped.)

<Reason>

In the clock synchronous serial I/O mode, the same clock is used for transmission and reception. If any one of transmission and reception is disabled, a bit error occurs because transmission and reception cannot be synchronized.

In this mode, the clock circuit of the transmission circuit also operates for data reception. Accordingly, the transmission circuit does not stop by clearing only the transmit enable bit to "0" (transmit disabled). Also, the transmission circuit is not initialized by clearing the serial I/O<sub>i</sub> enable bit to "0" (serial I/O<sub>i</sub> disabled) (refer to (1) in 1.).

### 2. Notes when selecting clock asynchronous serial I/O

#### (1) Stop of transmission operation

Clear the transmit enable bit to "0" (transmit disabled). The transmission operation does not stop by clearing the serial I/O<sub>i</sub> enable bit (i = 1, 3) to "0".

<Reason>

This is the same as (1) in 1.

#### (2) Stop of receive operation

Clear the receive enable bit to "0" (receive disabled).

#### (3) Stop of transmit/receive operation

Only transmission operation is stopped.

Clear the transmit enable bit to "0" (transmit disabled). The transmission operation does not stop by clearing the serial I/O<sub>i</sub> enable bit (i = 1, 3) to "0".

<Reason>

This is the same as (1) in 1.

Only receive operation is stopped.

Clear the receive enable bit to "0" (receive disabled).

### 3. $\overline{\text{SRDY}}_i$ (i = 1, 3) output of reception side

When signals are output from the  $\overline{\text{SRDY}}_i$  pin on the reception side by using an external clock in the clock synchronous serial I/O mode, set all of the receive enable bit, the  $\overline{\text{SRDY}}_i$  output enable bit, and the transmit enable bit to "1" (transmit enabled).

### 4. Setting serial I/O<sub>i</sub> (i = 1, 3) control register again

Set the serial I/O<sub>i</sub> control register again after the transmission and the reception circuits are reset by clearing both the transmit enable bit and the receive enable bit to "0."

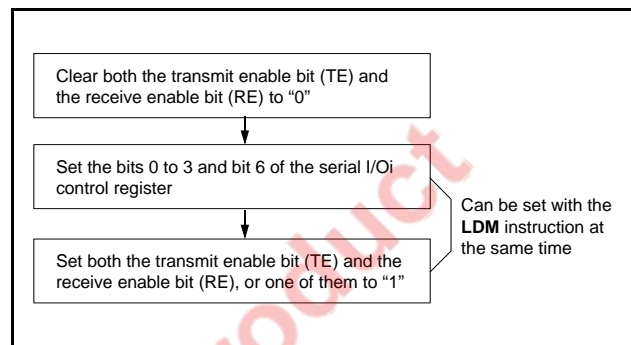


Fig 90. Sequence of setting serial I/O<sub>i</sub> (i = 1, 3) control register again

### 5. Data transmission control with referring to transmit shift register completion flag

After the transmit data is written to the transmit buffer register, the transmit shift register completion flag changes from "1" to "0" with a delay of 0.5 to 1.5 shift clocks. When data transmission is controlled with referring to the flag after writing the data to the transmit buffer register, note the delay.

### 6. Transmission control when external clock is selected

When an external clock is used as the synchronous clock for data transmission, set the transmit enable bit to "1" at "H" of the SCLKi (i = 1, 3) input level. Also, write the transmit data to the transmit buffer register at "H" of the SCLKi input level.

### 7. Transmit interrupt request when transmit enable bit is set

When using the transmit interrupt, take the following sequence.

- (1) Set the serial I/O<sub>i</sub> transmit interrupt enable bit (i = 1, 3) to "0" (disabled).
- (2) Set the transmit enable bit to "1".
- (3) Set the serial I/O<sub>i</sub> transmit interrupt request bit (i = 1, 3) to "0" after 1 or more instruction has executed.
- (4) Set the serial I/O<sub>i</sub> transmit interrupt enable bit (i = 1, 3) to "1" (enabled).

<Reason>

When the transmission enable bit is set to "1", the transmit buffer empty flag and transmit shift register shift completion flag are also set to "1".

Therefore, regardless of selecting which timing for the generating of transmit interrupts, the interrupt request is generated and the transmit interrupt request bit is set at this point.

### 8. Writing to baud rate generator i (BRGi) (i = 1, 3)

Write data to the baud rate generator i (BRGi) (i = 1, 3) while the transmission/reception operation is stopped.

**Notes on PWM**

The PWM starts from “H” level after the PWM enable bit is set to enable and “L” level is temporarily output from the PWM pin. The length of this “L” level output is as follows:

$$\frac{n+1}{2 \cdot f(XIN)} \quad (s) \quad \text{(Count source selection bit = “0”, where n is the value set in the prescaler)}$$

$$\frac{n+1}{f(XIN)} \quad (s) \quad \text{(Count source selection bit = “1”, where n is the value set in the prescaler)}$$

**Notes on A/D Converter****1. Analog input pin**

Make the signal source impedance for analog input low, or equip an analog input pin with an external capacitor of 0.01  $\mu\text{F}$  to 1  $\mu\text{F}$ . Further, be sure to verify the operation of application products on the user side.

<Reason>

An analog input pin includes the capacitor for analog voltage comparison. Accordingly, when signals from signal source with high impedance are input to an analog input pin, charge and discharge noise generates. This may cause the A/D conversion precision to be worse.

**2. A/D converter power source pin**

The AVSS pin is A/D converter power source pins. Regardless of using the A/D conversion function or not, connect it as following :

- AVSS : Connect to the VSS line

<Reason>

If the AVSS pin is opened, the microcomputer may have a failure because of noise or others.

**3. Clock frequency during A/D conversion**

The comparator consists of a capacity coupling, and a charge of the capacity will be lost if the clock frequency is too low. Thus, make sure the following during an A/D conversion.

- $f(XIN)$  is 500 kHz or more
- Do not execute the STP instruction

**4. Difference between at 8-bit reading in 10-bit A/D mode and at 8-bit A/D mode**

At 8-bit reading in the 10-bit A/D mode, “-1/2 LSB” correction is not performed in the A/D conversion result.

In the 8-bit A/D mode, the A/D conversion characteristics is the same as 3802 group’s characteristics because “-1/2 LSB” correction is performed.

**Notes on D/A Converter****1. Vcc when using D/A converter**

The D/A converter accuracy when VCC is 4.0 V or less differs from that of when VCC is 4.0 V or more. When using the D/A converter, we recommend using a VCC of 4.0 V or more.

**2. D/Ai conversion register when not using D/A converter**

When a D/A converter is not used, set all values of the D/Ai conversion registers (i = 1, 2) to “0016”. The initial value after reset is “0016”.

**Notes on Watchdog Timer**

- Make sure that the watchdog timer H does not underflow while waiting Stop release, because the watchdog timer keeps counting during that term.
- When the STP instruction disable bit has been set to “1”, it is impossible to switch it to “0” by a program.

**Notes on RESET Pin****Connecting capacitor**

In case where the RESET signal rise time is long, connect a ceramic capacitor or others across the RESET pin and the VSS pin.

Use a 1000 pF or more capacitor for high frequency use. When connecting the capacitor, note the following :

- Make the length of the wiring which is connected to a capacitor as short as possible.
- Be sure to verify the operation of application products on the user side.

<Reason>

If the several nanosecond or several ten nanosecond impulse noise enters the RESET pin, it may cause a microcomputer failure.

**Notes on Low-speed Operation Mode****1. Using sub-clock**

To use a sub-clock, fix bit 3 of the CPU mode register to “1” or control the Rd (refer to Figure 7) resistance value to a certain level to stabilize an oscillation. For resistance value of Rd, consult the oscillator manufacturer.

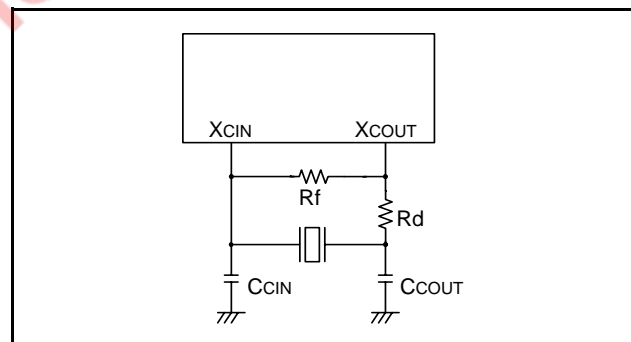


Fig 91. Ceramic resonator circuit

<Reason>

When bit 3 of the CPU mode register is set to “0”, the sub-clock oscillation may stop.

**2. Switch between middle/high-speed mode and low-speed mode**

If you switch the mode between middle/high-speed and low-speed, stabilize both XIN and XCIN oscillations. The sufficient time is required for the sub clock to stabilize, especially immediately after power on and at returning from stop mode. When switching the mode between middle/high-speed and low-speed, set the frequency on condition that  $f(XIN) > 3 \cdot f(XCIN)$ .

**Quartz-Crystal Oscillator**

When using the quartz-crystal oscillator of high frequency, such as 16 MHz etc., it may be necessary to select a specific oscillator with the specification demanded.



### Notes on Restarting Oscillation

- Restarting oscillation

Usually, when the MCU stops the clock oscillation by STP instruction and the STP instruction has been released by an external interrupt source, the fixed values of Timer 1 and Prescaler 12 (Timer 1 = "0116", Prescaler 12 = "FF16") are automatically reloaded in order for the oscillation to stabilize. The user can inhibit the automatic setting by writing "1" to bit 0 of MISRG (address 001016).

However, by setting this bit to "1", the previous values, set just before the STP instruction was executed, will remain in Timer 1 and Prescaler 12. Therefore, you will need to set an appropriate value to each register, in accordance with the oscillation stabilizing time, before executing the STP instruction.

<Reason>

Oscillation will restart when an external interrupt is received. However, internal clock  $\phi$  is supplied to the CPU only when Timer 1 starts to underflow. This ensures time for the clock oscillation using the ceramic resonators to be stabilized.

### Notes on Using Stop Mode

- Register setting

Since values of the prescaler 12 and Timer 1 are automatically reloaded when returning from the stop mode, set them again, respectively. (When the oscillation stabilizing time set after STP instruction released bit is "0")

- Clock restoration

After restoration from the stop mode to the normal mode by an interrupt request, the contents of the CPU mode register previous to the STP instruction execution are retained. Accordingly, if both main clock and sub clock were oscillating before execution of the STP instruction, the oscillation of both clocks is resumed at restoration.

In the above case, when the main clock side is set as a system clock, the oscillation stabilizing time for approximately 8,000 cycles of the XIN input is reserved at restoration from the stop mode. At this time, note that the oscillation on the sub clock side may not be stabilized even after the lapse of the oscillation stabilizing time of the main clock side.

### Notes on Wait Mode

- Clock restoration

If the wait mode is released by a reset when XCIN is set as the system clock and XIN oscillation is stopped during execution of the WIT instruction, XCIN oscillation stops, XIN oscillations starts, and XIN is set as the system clock.

In the above case, the RESET pin should be held at "L" until the oscillation is stabilized.

### Notes on CPU rewrite mode of flash memory version

#### 1. Operation speed

During CPU rewrite mode, set the system clock  $\phi$  4.0 MHz or less using the main clock division ratio selection bits (bits 6 and 7 of address 003B16).

#### 2. Instructions inhibited against use

The instructions which refer to the internal data of the flash memory cannot be used during the CPU rewrite mode.

#### 3. Interrupts inhibited against use

The interrupts cannot be used during the CPU rewrite mode because they refer to the internal data of the flash memory.

### 4. Watchdog timer

In case of the watchdog timer has been running already, the internal reset generated by watchdog timer underflow does not happen, because of watchdog timer is always clearing during program or erase operation.

### 5. Reset

Reset is always valid. In case of CNVss = "H" when reset is released, boot mode is active. So the program starts from the address contained in address FFFC16 and FFDD16 in boot ROM area.

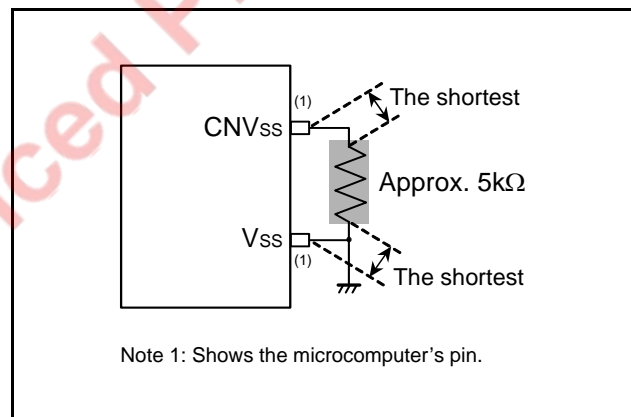
### Notes on flash memory version

The CNVss pin determines the flash memory mode.

Connect the CNVss/VPP pin the shortest possible to the GND pattern which is supplied to the VSS pin of the microcomputer.

In addition connecting an approximately 1 k to 5 k $\Omega$  resistor in series to the GND could improve noise immunity. In this case as well as the above mention, connect the pin the shortest possible to the GND pattern which is supplied to the VSS pin of the microcomputer.

Note. When the boot mode or the standard serial I/O mode is used, a switch of the input level to the CNVss pin is required.



Note 1: Shows the microcomputer's pin.

Fig 92. Wiring for the CNVss

### Notes on electric characteristic differences between mask ROM and flash memory version MCUs

There are differences in electric characteristics, operation margin, noise immunity, and noise radiation between Mask ROM and Flash Memory version MCUs due to the difference in the manufacturing processes, built-in ROM, and layout pattern etc. When manufacturing an application system with the Flash Memory version and then switching to use of the Mask ROM version, please conduct evaluations equivalent to the system evaluations conducted for the flash memory version.

### DATA REQUIRED FOR MASK ORDERS

The following are necessary when ordering a mask ROM production:

1. Mask ROM Confirmation Form\*
2. Mark Specification Form\*
3. Data to be written to ROM, in EPROM form (three identical copies)

\* For the mask ROM confirmation and the mark specifications, refer to the "Renesas Technology Corp." Homepage (<http://www.renesas.com/en/rom>).

#### Notes on Handling of Power Source Pins

In order to avoid a latch-up occurrence, connect a capacitor suitable for high frequencies as bypass capacitor between power source pin (VCC pin) and GND pin (VSS pin), and between power source pin (VCC pin) and analog power source input pin (AVSS pin). Besides, connect the capacitor to as close as possible. For bypass capacitor which should not be located too far from the pins to be connected, a ceramic capacitor of 0.01  $\mu\text{F}$ –0.1  $\mu\text{F}$  is recommended.

#### Power Source Voltage

When the power source voltage value of a microcomputer is less than the value which is indicated as the recommended operating conditions, the microcomputer does not operate normally and may perform unstable operation.

In a system where the power source voltage drops slowly when the power source voltage drops or the power supply is turned off, reset a microcomputer when the power source voltage is less than the recommended operating conditions and design a system not to cause errors to the system by this unstable operation.

EOL announced Product

Rev.	Date	Description	
		Page	Summary
1.00	Sep. 3, 2001	–	First edition issued
2.00	May. 28, 2003	1,2,6,7 5 7 23 64  68 69 73  75 75,77 76,78 79	<ul style="list-style-type: none"> <li>•Delete the following :“*:KP package is under development.”</li> <li>•Table 4 pin description Vcc,Vss Apply voltage of 2.7–5.5V → 1.8V–5.5V</li> <li>•Fig.5 Memory expansion plan As of Dec. 2002 → As of Mar. 2003</li> <li>•Notes (address 3A16) → (address 003A16), (address 2316) → (address 002316), (address 2A16) → (address 002A16), (address 3916) → (address 003916)</li> <li>•Fig.61 System clock generating circuit block diagram</li> </ul> <ul style="list-style-type: none"> <li>•Table 10 Recommended operating conditions Add : VIL “L” input voltage XIN, XCIN 1.8≤Vcc≤5.5V Min. → 0</li> <li>•Table 11 Recommended operating conditions f(XIN) High-speed mode <math>f(\phi)=f(XIN)/2</math> 2.2≤Vcc≤4.0V → 2.7≤Vcc≤4.0V</li> <li>•Table 16 A/D converter characteristics Vcc 8bit A/D mode, 10bit A/D mode Max. 5.0 → 5.5</li> <li>•Table 17 D/A converter characteristics Vcc = 4.0 to 5.5V → 4.0≤Vcc≤5.5V, Vcc = 2.7 to 4.0V → 2.7≤Vcc&lt;4.0V</li> <li>•Table 16 A/D converter characteristics, Table 17 D/A converter characteristics Resolution Unit Bits → bit</li> <li>•Table 18 Timing requirements (1) (In high-speed mode) tc(XIN) Main clock XIN input cycle time 2.7≤Vcc&lt;4.0 Min. <math>2.6 \times 10^3 / (82V_{cc} - 3) \rightarrow 26 \times 10^3 / (82V_{cc} - 3)</math></li> <li>•Table 18 Timing requirements (1) (In high-speed mode), Table 20 Timing requirements (3) (In middle-speed mode) tWH(XCIN) Sub-clock input “H” pulse width → Sub-clock XCIN input “H” pulse width tWL(XCIN) Sub-clock input “L” pulse width → Sub-clock XCIN input “L” pulse width</li> <li>•Table 19 Timing requirements (2) (In high-speed mode), Table 20 Timing requirements (4) (In middle-speed mode) tCL(SCLK2) → tWL(SCLK2)</li> <li>•Fig.63 Timing diagram (in single-chip mode) Delete the following underline parts : SCLK1 SCLK2 SCLK3 <u>tf</u>, <u>tr</u> TXD1 TXD3 SOUT2 <u>td(SCLK1-TXD1)</u>, <u>td(SCLK2-SOUT2)</u>, <u>td(SCLK3-TXD3)</u> <u>tv(SCLK1-TXD1)</u>, <u>tv(SCLK2-SOUT2)</u>, <u>tv(SCLK3-TXD3)</u></li> </ul>
3.00	Oct. 14, 2003		Flash memory version is added.
3.01	Jun.25, 2004	6 15 16	Table 5 Pin description is partly revised. Figure 11 Memory map of special function register (SFR) is partly revised. Table 8 I/O port function is partly revised.



REVISION HISTORY

3803 Group (Spec.H) Data Sheet

Rev.	Date	Description	
		Page	Summary
3.01	Jun.25, 2004	61	Explanations of "RESET CIRCUIT" are partly revised.
		61	Figure 56 Reset circuit example is partly revised.
		63	Explanations of "(1) Stop mode" of "Oscillation control" are partly added.
		65	Figure 56 Reset circuit example is partly revised.
		69	Explanations of "Outline Performance" are partly revised.
		69	Figure 64 Structure of flash memory control register 0 is partly revised.
		70	Figure 66 is partly revised.
		70	Table 11 is partly revised.
		70	Figure 67 is partly revised.
		80	P4 <sub>6</sub> of Table 15 is revised.
		86	"NOTES ON PROGRAMMING" is added.
		87	"DATA REQUIRED FOR MASK ORDERS" is added.
		88	Note of Table 16 is partly revised.
		97	Table 26 A/D converter characteristics (Mask ROM version) is partly revised.
		97	Table 27 D/A converter characteristics (Mask ROM version) is partly revised.
		98	Table 29 A/D converter characteristics (Flash memory version) is partly revised.
		98	Table 30 D/A converter characteristics (Flash memory version) is partly revised.
98	Table 31 Power source circuit timing characteristics (Flash memory version) is added.		
99	tw(RESET) of Table 32 is revised.		
101	Table 33 and Table 34 of Rev.3.00 are eliminated.		
3.02	Nov.05, 2004	1	Memory size ROM....16 K to 32 K bytes → 16 K to 60 K bytes RAM....640 to 1024 bytes → 640 to 2048 bytes
		1,2,5,8,9	WG version is added.
		9	Fig.6 is partly eliminated.
		35	(5) Pulse width measurement mode is partly revised.
		62	Fig.58 is partly revised.
		64	CLOCK GENERATING CIRCUIT is partly revised.
		65	Fig.60 is partly revised.
		66	Note 4 of Fig.62 is added.
		77	Functions To Inhibit Rewriting Flash Memory Version is partly added.
		80	Standard serial I/O Mode is partly revised.
			Outline Performance (Standard Serial I/O Mode) is eliminated.
		95	Table 23 Electrical characteristics (1) "VOL "L" output voltage P20-P27" is added.
		100,101	Table 33 Timing requirements (1), Table 34 Timing requirements (2) (In high-speed mode) is deleted.
		102,103	Mask ROM version: Vcc = 1.8 to 5.5V → Vcc = 2.0 to 5.5V
104	Table 35 Switching characteristics (1), Table 36 Switching characteristics (2) are added.		
104	Fig.80 Circuit for measuring output switching characteristics (1), Fig.81 Circuit for measuring output switching characteristics (2) are added.		
105	Fig.82 Timing diagram (in single-chip mode) is revised.		
108	PACKAGE OUTLINE 64F0G is added.		
3.03	Jun.17, 2005	All pages	Delete the following: "Under development".
		1	●Packages, Table 1 Package name revised.
		2	●Packages, Table 2 Package name revised.
		3	Fig.1, Table 3 Package name revised.
		4	Fig.2, Table 4 Package name revised.

REVISION HISTORY

3803 Group (Spec.H) Data Sheet

Rev.	Date	Description	
		Page	Summary
3.03	Jun.17, 2005	5	Fig.3, Table 5 Package name revised.
		9	"Packages" Package name revised.
		74 to 85	Fig.74 to Fig.77 Package name revised.
		89	Table 17 is partly revised.
		106 to 108	PACKAGE OUTLINE revised.
3.10	Nov.14, 2005	-	Bit name revised: STP instruction disable bit → STP instruction function selection bit
		20	Fig.15 Port block diagram (18) Port P56 revised.
		61	Watchdog Timer Operations revised. Bit 6 of Watchdog Timer Control Register added. Fig.55: Block diagram of Watchdog timer revised. Fig.56: Structure of Watchdog timer control register revised. Bit name and its description revised. (Bit function is not changed.) → STP instruction function selection bit 0 : Entering stop mode by execution of STP instruction 1 : Internal reset by execution of STP instruction
		88	Flash Memory Version revised. Fig.80: Wiring for the CNVSS pin added.
		106 to 108	PACKAGE OUTLINE revised.
109 to 116	Appendix added.		
3.11	Apr.5, 2006	1, 5	Table 1, Table 5, Fig.3; M38037M8H-XXXWG deleted.
		7	Table 6 Functions revised.
		9	Packages; "LGA" → "FLGA"
		13	[CPU Mode Register (CPUM)] "The CPU mode register .... selection bit, etc." → "The CPU mode register ....selection bit, the internal system clock control bits, etc."
		15	MEMORY <Note> added.
		17	I/O PORTS; "By setting the port P0 pull-up control register....programmed as the output ports." added. Table 9 Input/Output added.
		19	Fig.14 Port P40, P41 revised.
		44, 52	[Serial I/O1 Status Register (SIO1STS)] "If there is an error,....the transmit buffer empty flag (bit 0) become "1"." revised.
		56	•Data Setting "count source selection bit = "0"" added. Fig.47 "XIN or XCIN" → "XIN (XCIN at low-speed mode)"
		57	Fig.48; "f(XCIN) at low-speed mode", "f(XCIN)/2 at low-speed mode" added. <Notes> added.
		64	Frequency Control; (4) Low power dissipation mode added. Oscillation Control; (2) Wait mode, <Notes> added.
		86, 87	Fig.78, Fig.79 added. NOTES ON PROGRAMMING, NOTES ON USAGE deleted. → Included in NOTES
		96, 97	Table 24, Table 27; f(XIN) Conditions: "VCC" → "VCC = VREF" Limits Max.: $\frac{(24 \times V_{CC} - 60) \times 1.05}{3}$ → $\frac{(24.6 \times V_{CC} - 62.7) \times 1.05}{3}$

**Keep safety first in your circuit designs!**

1. Renesas Technology Corp. puts the maximum effort into making semiconductor products better and more reliable, but there is always the possibility that trouble may occur with them. Trouble with semiconductors may lead to personal injury, fire or property damage. Remember to give due consideration to safety when making your circuit designs, with appropriate measures such as (i) placement of substitutive, auxiliary circuits, (ii) use of nonflammable material or (iii) prevention against any malfunction or mishap.

**Notes regarding these materials**

1. These materials are intended as a reference to assist our customers in the selection of the Renesas Technology Corp. product best suited to the customer's application; they do not convey any license under any intellectual property rights, or any other rights, belonging to Renesas Technology Corp. or a third party.
2. Renesas Technology Corp. assumes no responsibility for any damage, or infringement of any third-party's rights, originating in the use of any product data, diagrams, charts, programs, algorithms, or circuit application examples contained in these materials.
3. All information contained in these materials, including product data, diagrams, charts, programs and algorithms represents information on products at the time of publication of these materials, and are subject to change by Renesas Technology Corp. without notice due to product improvements or other reasons. It is therefore recommended that customers contact Renesas Technology Corp. or an authorized Renesas Technology Corp. product distributor for the latest product information before purchasing a product listed herein.  
The information described here may contain technical inaccuracies or typographical errors.  
Renesas Technology Corp. assumes no responsibility for any damage, liability, or other loss rising from these inaccuracies or errors.  
Please also pay attention to information published by Renesas Technology Corp. by various means, including the Renesas Technology Corp. Semiconductor home page (<http://www.renesas.com>).
4. When using any or all of the information contained in these materials, including product data, diagrams, charts, programs, and algorithms, please be sure to evaluate all information as a total system before making a final decision on the applicability of the information and products. Renesas Technology Corp. assumes no responsibility for any damage, liability or other loss resulting from the information contained herein.
5. Renesas Technology Corp. semiconductors are not designed or manufactured for use in a device or system that is used under circumstances in which human life is potentially at stake. Please contact Renesas Technology Corp. or an authorized Renesas Technology Corp. product distributor when considering the use of a product contained herein for any specific purposes, such as apparatus or systems for transportation, vehicular, medical, aerospace, nuclear, or undersea repeater use.
6. The prior written approval of Renesas Technology Corp. is necessary to reprint or reproduce in whole or in part these materials.
7. If these products or technologies are subject to the Japanese export control restrictions, they must be exported under a license from the Japanese government and cannot be imported into a country other than the approved destination.  
Any diversion or reexport contrary to the export control laws and regulations of Japan and/or the country of destination is prohibited.
8. Please contact Renesas Technology Corp. for further details on these materials or the products contained therein.



**RENESAS SALES OFFICES**

<http://www.renesas.com>

Refer to "<http://www.renesas.com/en/network>" for the latest and detailed information.

**Renesas Technology America, Inc.**

450 Holger Way, San Jose, CA 95134-1368, U.S.A  
Tel: <1> (408) 382-7500, Fax: <1> (408) 382-7501

**Renesas Technology Europe Limited**

Dukes Meadow, Millboard Road, Bourne End, Buckinghamshire, SL8 5FH, U.K.  
Tel: <44> (1628) 585-100, Fax: <44> (1628) 585-900

**Renesas Technology (Shanghai) Co., Ltd.**

Unit 204, 205, AZIACenter, No.1233 Lujiazui Ring Rd, Pudong District, Shanghai, China 200120  
Tel: <86> (21) 5877-1818, Fax: <86> (21) 6887-7898

**Renesas Technology Hong Kong Ltd.**

7th Floor, North Tower, World Finance Centre, Harbour City, 1 Canton Road, Tsimshatsui, Kowloon, Hong Kong  
Tel: <852> 2265-6688, Fax: <852> 2730-6071

**Renesas Technology Taiwan Co., Ltd.**

10th Floor, No.99, Fushing North Road, Taipei, Taiwan  
Tel: <886> (2) 2715-2888, Fax: <886> (2) 2713-2999

**Renesas Technology Singapore Pte. Ltd.**

1 Harbour Front Avenue, #06-10, Keppel Bay Tower, Singapore 098632  
Tel: <65> 6213-0200, Fax: <65> 6278-8001

**Renesas Technology Korea Co., Ltd.**

Kukje Center Bldg. 18th Fl., 191, 2-ka, Hangang-ro, Yongsan-ku, Seoul 140-702, Korea  
Tel: <82> (2) 796-3115, Fax: <82> (2) 796-2145

**Renesas Technology Malaysia Sdn. Bhd**

Unit 906, Block B, Menara Amcorp, Amcorp Trade Centre, No.18, Jalan Persiaran Barat, 46050 Petaling Jaya, Selangor Darul Ehsan, Malaysia  
Tel: <603> 7955-9390, Fax: <603> 7955-9510