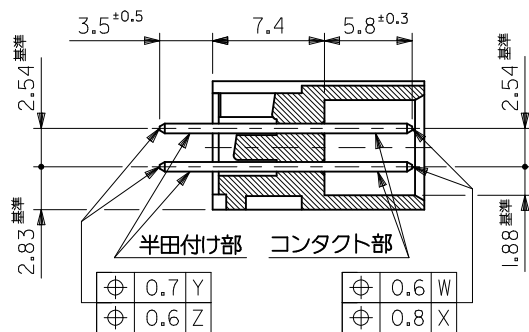


基板取付穴推奨寸法



SECT. E-E  
(SCALE 3-1)

注記

- 材料 ウエハー : ガラス繊維 15% 入り PBTP (UL94V-0), 黒色  
ピン : 黄銅, サイズ  $\square 0.635$
- 嵌合相手 : 5320 シリーズ
- 使用符号の説明

5332 - N \*  
 ベースナンバー \_\_\_\_\_  
 極数 \_\_\_\_\_  
 ピンのメッキコード \_\_\_\_\_

コード:*	△マークの色	コンタクト部	半田付け部	下地メッキ
GS3	青	金 0.25 $\mu$ m MIN.	半田 3 $\mu$ m MIN.	ニッケル 1 $\mu$ m MIN.
LEAD-FREE GS17F	黄	金 0.1 $\mu$ m MIN.	錫 1 $\mu$ m MIN.	
LEAD-FREE GS37F	青	金 0.25 $\mu$ m MIN.		
LEAD-FREE T2	黒		錫 1 $\mu$ m MIN.	ニッケル 0.5 $\mu$ m MIN.

60	73.66	81.26	83.16	63.50
50	60.96	68.56	70.46	50.80
40	48.26	55.86	57.76	38.10
34	40.64	48.24	50.14	30.48
30	35.56	43.16	45.06	25.40
26	30.48	38.08	39.98	—
20	22.86	30.46	32.36	—
16	17.78	25.38	27.28	—
14	15.24	22.84	24.74	—
10	10.16	17.76	19.66	—
極数	A 寸法	B 寸法	C 寸法	D 寸法

REVISED EC NO: J2012-0302 DRWN: HONEGAWA 2011/08/31 CHKD: TANIITSU 2011/08/31 APPR: MYAGI 2011/09/07	DESCRIPTION	GENERAL TOLERANCES (UNLESS SPECIFIED)		DIMENSION STYLE MM ONLY		SCALE 2:1	DESIGN UNITS METRIC	THIRD ANGLE PROJECTION	
		10 UNDER	±0.2	DRAWN BY H. HIRAMOTO	DATE 1990/06/19	TITLE QIK FLECS WAFER ASSY ST JAPANESE ONLY			
		10 OVER 30 UNDER	±0.25	CHECKED BY M. SASAO	DATE	MOLEX INCORPORATED			
		30 OVER	±0.3	APPROVED BY H. IKESUGI	DATE	DOCUMENT NO. SD-5332-001			
REV	DESCRIPTION	ANGULAR ±3 ° DRAFT WHERE APPLICABLE MUST REMAIN WITHIN DIMENSIONS		MATERIAL NO. SEE SHEET 2 OF 2		SHEET NO. 1 OF 2			

10 9 8 7 6 5 4 3 2 1

F

F

E

E

D

D

C

C

B

B

A

A

39-53-6266	5332-26GS37F	39-28-5261	5332-26T2	26
↔	↔	↓ -5201	-20T2	20
↔	↔	39-28-5141	5332-14T2	14
EDP NO.	ENG. NO.	EDP NO.	ENG. NO.	極数
5332-NGS37F	-LEAD FREE-	5332-NT2	-LEAD FREE-	
39-53-6344	5332-34GS17F	↔		34
↓ -6264	↓ -26GS17F	39-26-7267	5332-26GS3	26
↓ -6204	↓ -20GS17F	↔	↔	20
↓ -6144	↓ -14GS17F	↔	↔	14
39-53-6104	5332-10GS17F	↔	↔	10
EDP NO.	ENG. NO.	EDP NO.	ENG. NO.	極数
5332-NGS17F	-LEAD FREE-		5332-NGS3	

REVISED EC NO: J2012-0302 DRWN: H. TONEGAWA 2011/08/31 CHKD: T. IITSU 2011/08/31 APPR: MYAGI 2011/09/07	GENERAL TOLERANCES (UNLESS SPECIFIED)		DIMENSION STYLE MM ONLY		SCALE 2:1	DESIGN UNITS METRIC	THIRD ANGLE PROJECTION	
	10 UNDER	± 0.2	DRAWN BY H. HIRAMOTO	DATE 1990/06/19	TITLE QIK FLECS WAFER ASSY ST. JAPANESE ONLY			
	10 OVER 30 UNDER	± 0.25	CHECKED BY M. SASAO					
	30 OVER	± 0.3	APPROVED BY H. IKESUGI		MOLEX INCORPORATED			
ANGULAR ± 3 °		MATERIAL NO. SEE CHART		DOCUMENT NO. SD-5332-001		SHEET NO. 2 OF 2		
DRAFT WHERE APPLICABLE MUST REMAIN WITHIN DIMENSIONS		THIS DRAWING CONTAINS INFORMATION THAT IS PROPRIETARY TO MOLEX INCORPORATED AND SHOULD NOT BE USED WITHOUT WRITTEN PERMISSION						



10 9 8 7 6 5 4 3 2 1

F

F

E

E

D

D

C

C

B

B

A

A

39-53-6266	5332-26GS37F	39-28-5261	5332-26T2	26
↔	↔	↓ 5201	↓ -20T2	20
↔	↔	39-28-5141	5332-14T2	14
EPD NO.	ENG. NO.	EPD NO.	ENG. NO.	CKT. SIZE.
5332-NGS37F	-LEAD FREE-	5332-NT2	-LEAD FREE-	
39-53-6364	5332-36GS17F	↔	↔	36
↑ -6344	↑ -34GS17F	↔	↔	34
↑ -6264	↑ -26GS17F	39-26-7267	5332-26GS3	26
↑ -6204	↑ -20GS17F	↔	↔	20
↓ -6144	↓ -14GS17F	↔	↔	14
39-53-6104	5332-10GS17F	↔	↔	10
EPD NO.	ENG. NO.	EPD NO.	ENG. NO.	CKT. SIZE.
5332-NGS17F	-LEAD FREE-	5332-NGS3		

REVISED EC NO: J2012-0302 DRWN: H. TONEGAWA 2011/08/31 CHKD: T. IITSU 2011/08/31 APPR: MYAGI 2011/09/07	GENERAL TOLERANCES (UNLESS SPECIFIED)		DIMENSION STYLE MM/IN		SCALE 2:1	DESIGN UNITS METRIC	THIRD ANGLE PROJECTION		
	10 UNDER	± 0.2	DRAWN BY H. HIRAMOTO		DATE 1989/07/18		TITLE QIK FLECS WAFER ASSY ST ENGLISH ONLY		
	10 OVER 30 UNDER	± 0.25	CHECKED BY M. SASAO		DATE				
	30 OVER	± 0.3	APPROVED BY H. IKESUGI		DATE		MOLEX INCORPORATED		
	ANGULAR ± 3 °		MATERIAL NO.		DOCUMENT NO.				
DRAFT WHERE APPLICABLE MUST REMAIN WITHIN DIMENSIONS		SEE CHART		SD-5332-003		2 OF 2			

# Mouser Electronics

Authorized Distributor

Click to View Pricing, Inventory, Delivery & Lifecycle Information:

[Molex:](#)

[39-53-6204](#)