

# KSC5 Series

## Tact Switch with Rocker Option for SMT



### Features/Benefits

- Can be actuated from either side or top
- Silver or Gold plated terminals
- Compatible with automatic insertion machines
- IP 50
- RoHS compliant

### Typical Applications

- Automotive
- Computers
- Instrumentation

### Specification

FUNCTION: Momentary action  
 CONTACT ARRANGEMENT: 1 make contact = SPST, N.O.  
 TERMINALS: J bend & Gullwing type for SMT

Electrical	Silver	Gold
MAXIMUM POWER:	1 VA	0.2 VA
MAXIMUM VOLTAGE:	32 VDC	32 VDC
MINIMUM VOLTAGE:	20 mV	20 mV
MAXIMUM CURRENT:	50 mA	10 mA
MINIMUM CURRENT:	1 mA	1 mA
DIELECTRIC STRENGTH (50 Hz, 1 min.):	> 250 V	
CONTACT RESISTANCE:	< 100 mΩ	
INSULATION RESISTANCE (100 V):	> 10 <sup>9</sup> Ω	
BOUNCE TIME:	< 1 ms	

### Environmental

	Silver	Gold
OPERATING TEMPERATURE:	-40°C to 85°C	-40°C to 125°C
STORAGE TEMPERATURE:	-55°C to 85°C	-55°C to 125°C

### Process

SOLDERING: Infrared reflow in accordance with IEC61760-1

### Packaging

Switches delivered on continuous tape & reels of 1,000 pieces, 330 (12.992) external diameter. Other dimensions according to EIA-RS-481/ IEC 60286-3 standard.

### NOTE:

Specifications listed above are for switches with standard options. For information on specific and custom switches, consult Customer Service Center.

Other versions in terms of force, termination length and corrosion protection available. Please contact your sales representative.

This data sheet does not provide enough information for applications which require a certain level of quality or safety such as automotive, medical systems, safety equipment. Please contact your sales representative to get contractual specification package.

### Mechanical

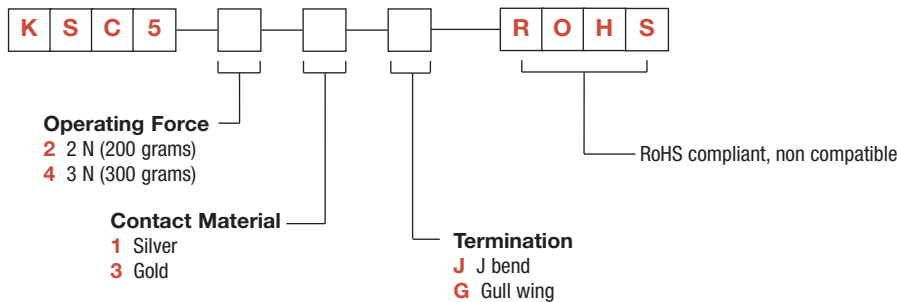
Type	Operating force axial FA N (grams) ±25%	Operating force lateral FL N (grams) ±30%	Travel to make axial (mm)	Travel to make lateral (mm)	Life expectancy cycles, axial	Life expectancy cycles, lateral
KSC521G	1,5 - 2,5	1,2 - 2,6	0,25 ± 0,15	0,5 ± 0,25	100,000	10,000
KSC541G	2,25 - 3,75	1,8 - 3,8	0,25 ± 0,15	0,5 ± 0,25	100,000	10,000

### How To Order

Our easy build-a-switch concept allows you to mix and match options to create the switch you need. To order, select desired option from each category and place it in the appropriate box.

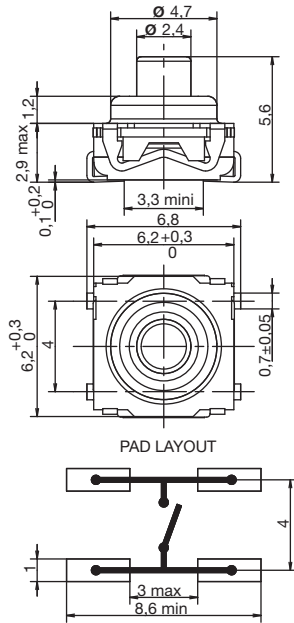
However, please note that all the combinations of these options are not feasible.

For any part number different from those listed above, please consult your local representative.

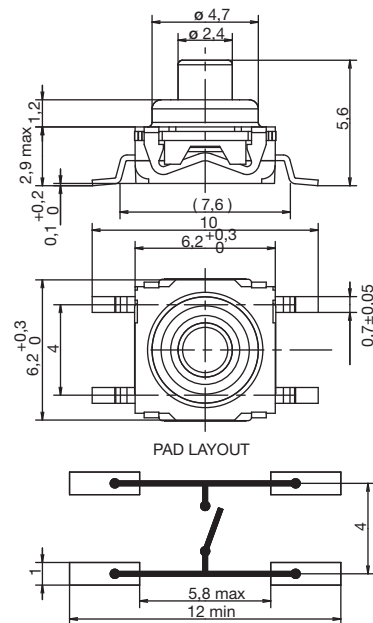


# KSC5 Series Tact Switch with Rocker Option for SMT

## J BEND



## G GULLWING



B

Tactile Switches

## TAPE & REEL

FOR KSC5 G & J TERMINATION

