

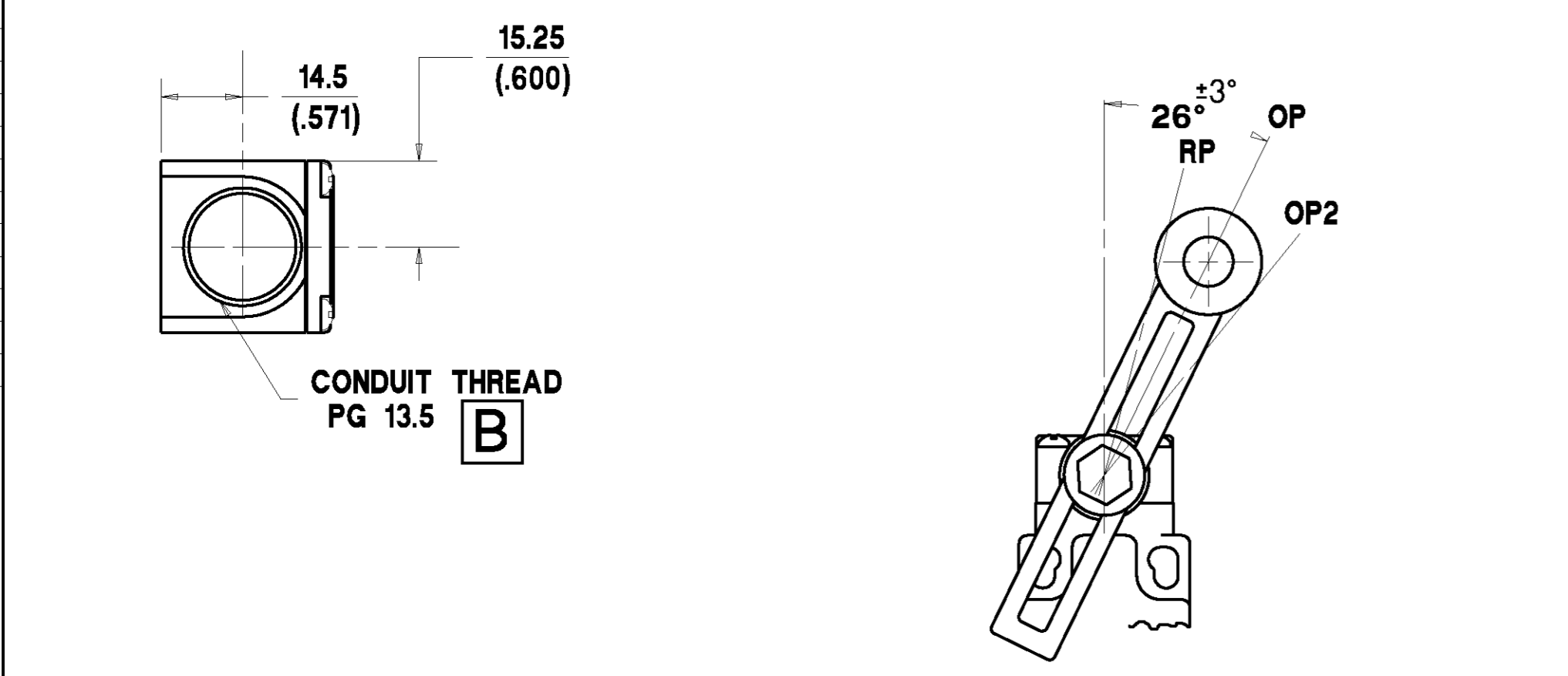
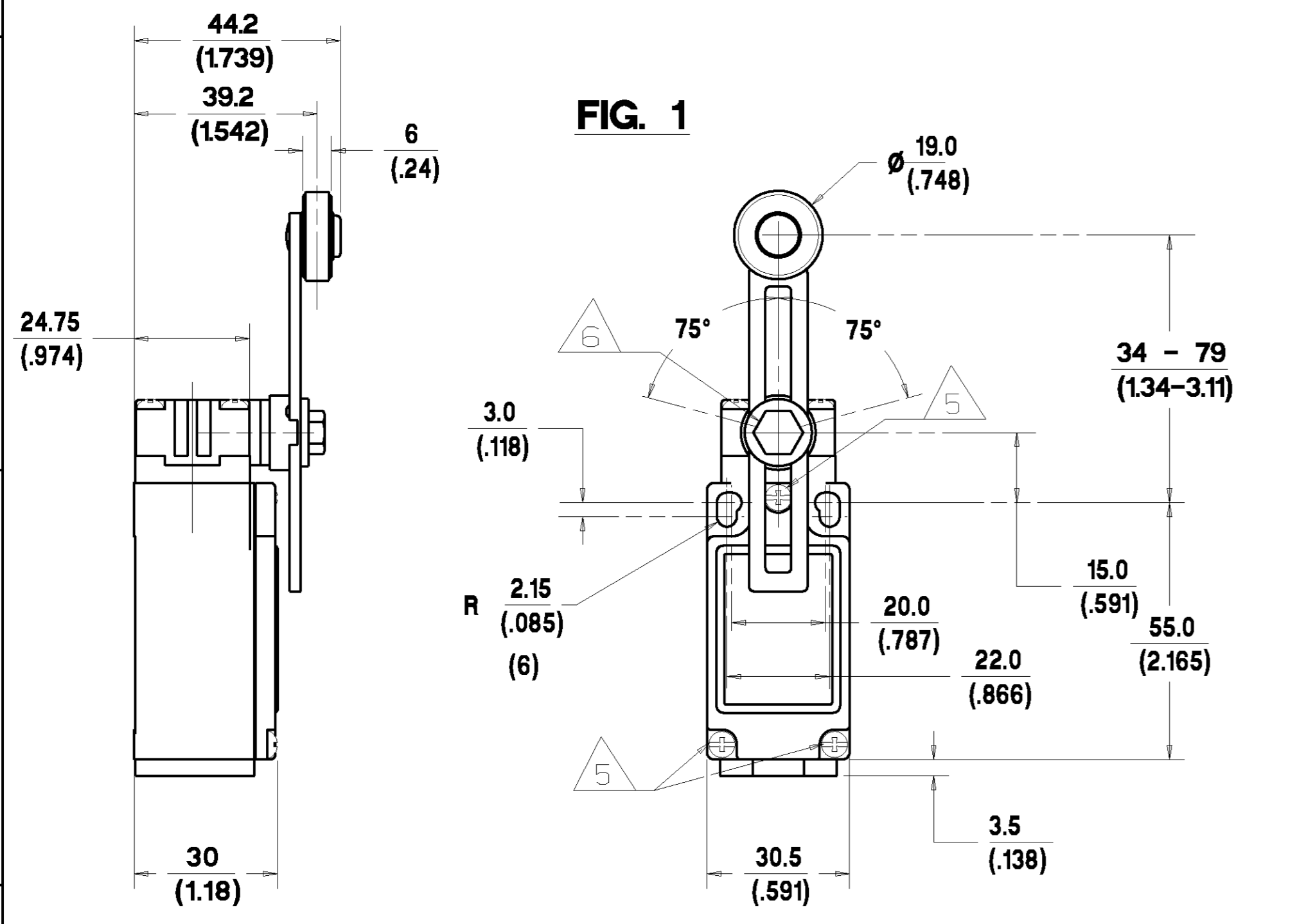
**MTG-GL-192**

REPLACES  
DRAWING NUMBER  
AO18-185

REVISIONS  
ISSUE  
6

**Honeywell** **LIMIT SWITCH**

CATALOGUE LISTING  
**GLS**  
CHART NO.  
**MTG-GL-192**



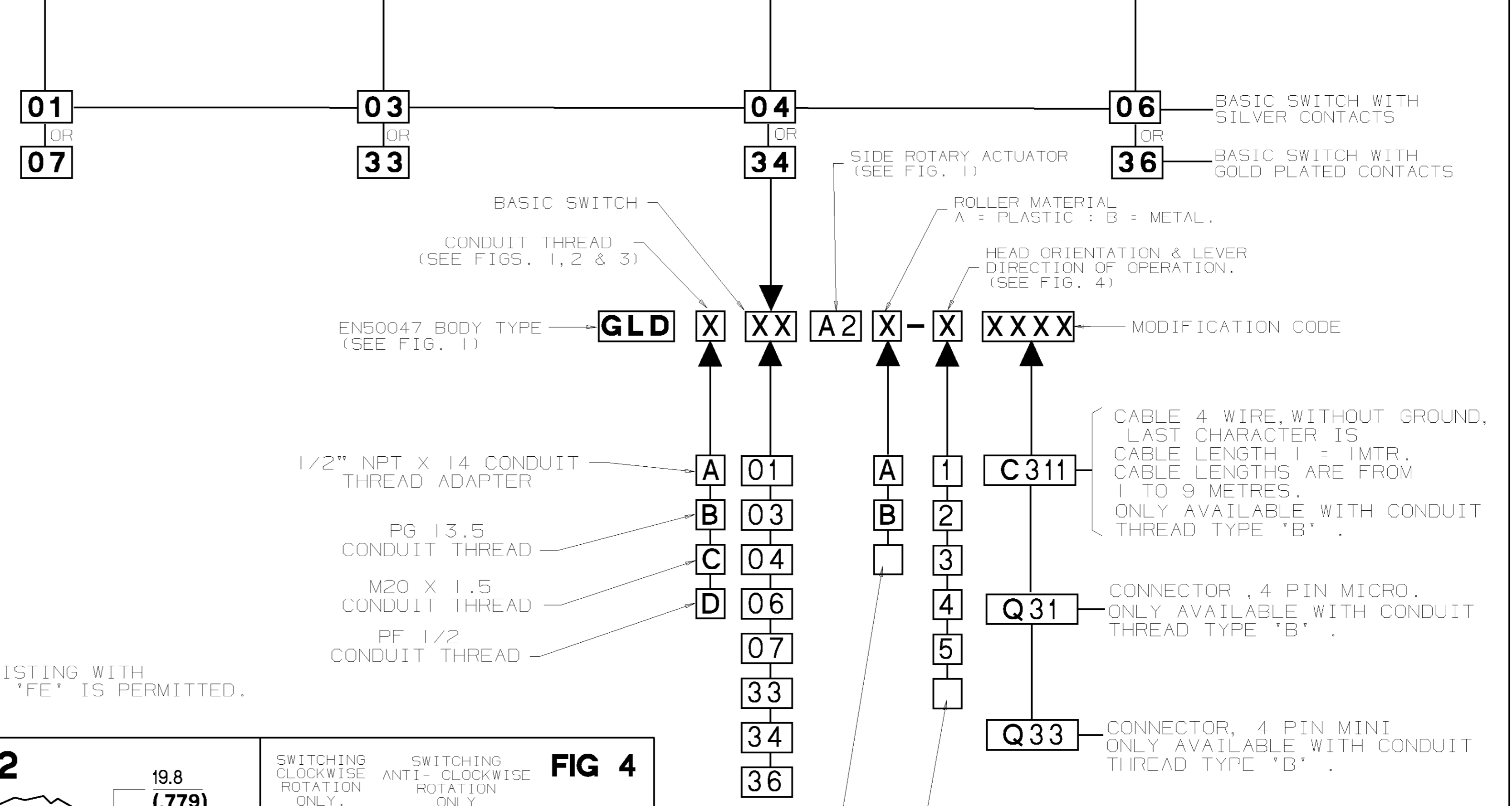
**NOTES:-**

- MICRO SWITCH BLUE GLASS FILLED POLYESTER HOUSING & COVER. BLACK GLASS FILLED POLYAMIDE HEAD.
- ENCLOSURE DOUBLE INSULATED TO IEC 539 CLASS II.
- MINIMUM OPERATING VELOCITY (Vmin) = 0.26 rad/s (THESE LIMITS APPLY TO CAM OPERATION AS SHOWN IN THE ABOVE DIAGRAMS ONLY)  
MAXIMUM OPERATING VELOCITY (Vmax) = 25 rad/s  
MAXIMUM OPERATING FREQUENCY (Fmax) = 250 OPS/MIN
- FREE POSITION (FP), OPERATING POINT (OP), OVERTRAVEL (OT) AND PRETRAVEL (PT) ALL TO EN50047.

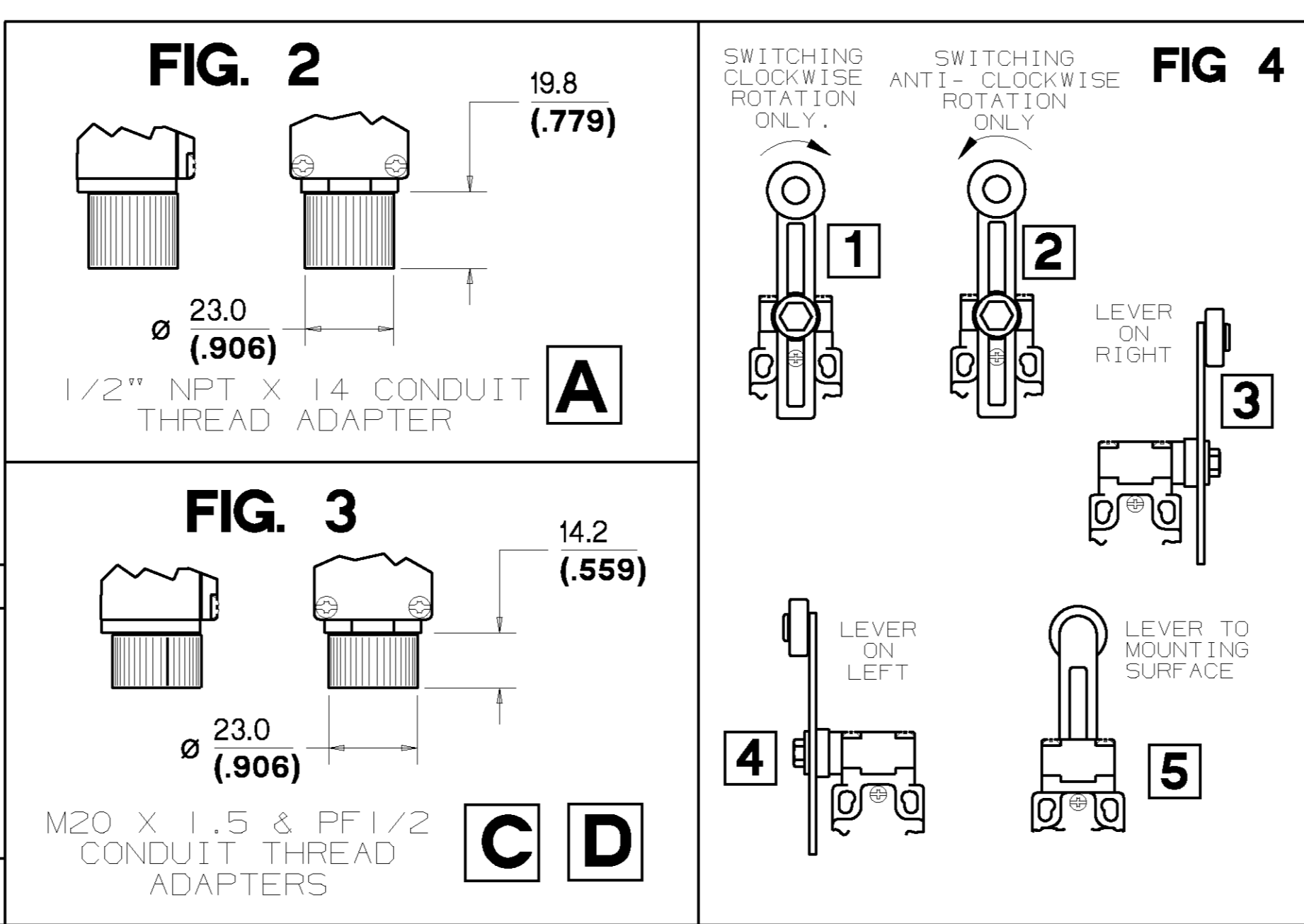
5 MAXIMUM TIGHTENING TORQUE FOR FIXING SCREW = 0.5Nm (4.4in.LB)  
6 MAXIMUM TIGHTENING TORQUE FOR FIXING SCREW = 0.8Nm (7in.LB)

NO CHANGES CAN BE MADE TO THIS DRAWING WITHOUT JOINT NEWHOUSE/FREEPORT APPROVAL

CONTACT BLOCK DIAGRAM TERMINAL DESIGNATION TO EN 50013	NOMINAL TRAVELS AND RELATED TERMINALS	NORMAL OPERATING TORQUE MAX	MAXIMUM DISCONNECT TORQUE
SNAP-ACTION CONTACTS 		120 (l.1)	140 (l.3)
SLOW-ACTION CONTACTS (BREAK BEFORE MAKE) 		110 (l.0)	160 (l.5)
SLOW-ACTION CONTACTS (MAKE BEFORE BREAK) 		110 (l.0)	170 (l.6)
SLOW-ACTION CONTACTS (2 NORMALLY CLOSED) 		110 (l.0)	150 (l.4)



NOTE:- ANY STANDARD LISTING WITH SUFFIX 'RS' OR 'FE' IS PERMITTED.



NOTE: FOR CONNECTION DIAGRAMS AND ADDITIONAL ELECTRICAL ENVIRONMENTAL & DIMENSIONAL INFORMATION SEE DRAWING GL-49212.

IEC 947-5-1 ELECTRICAL RATING			ENVIRONMENTAL		APPROVALS
SILVER CONTACTS			GOLD PLATED CONTACTS		UL IEC 947-5-1 EN50047
AC	AC (FOR 2NC)	DC	IP66	NEMA 1, 4, 12, 13	
A600 AC15 Ue Ie	A500 AC15 Ue Ie	0300 DC13 Ue Ie	TEMP RANGE : -25° C TO 85° C -13° F TO 185° F	SHOCK : 50G PER IEC 68-2-27 VIBRATION : 10G PER IEC 68-2-6	
240 380 480 500 600	120 240 380 480 500	120 250 0.27	STORAGE : -40° C TO 85° C -40° F TO 185° F		
VOLTS AMPS	VOLTS AMPS	VOLTS AMPS	I <sub>th</sub> = 10A		
1.2 5	1.2 5	1.2 5	1V 10µA MIN. 50V 100mA MAX.		

SCALE: DIMENSIONS ARE IN MM/INCHES. MODIFY ON CAD SYSTEM ONLY

DRAWN: M. LOCH  
CHECK: I. WEIR  
DESIGN: J. BOYD  
AUTHOR: P. TRICKETT