

注) NOTES

- 材質 MATERIAL
ハウジング: ガラス入りPPS、茶色、UL94V-0
HOUSING: GLASS FILLED PPS, BROWN, UL94V-0
ターミナル: 黄銅 (=0.2)
TERMINAL: BRASS
- メッキ仕様 PLATING
接点部 : 金メッキ 0.25µm以上
CONTACT AREA: GOLD 0.25 MICROMETER MINIMUM
半田付け部: 錫メッキ 1.0µm以上
SOLDER TAIL AREA: TIN 1.0 MICROMETER MINIMUM
下地メッキ: ニッケルメッキ 1.5µm以上
UNDER-PLATING: NICKEL 1.5 MICROMETER MINIMUM
- テールのバラツキ寸法 TAIL COPLANARITY
テールの平坦度は、0.1以下とする。
TAIL COPLANARITY TO BE 0.1 MAXIMUM.
- 本製品は 53553-***7 の鉛フリー品である。
THIS PRODUCT IS LEAD FREE OF 53553-***7.

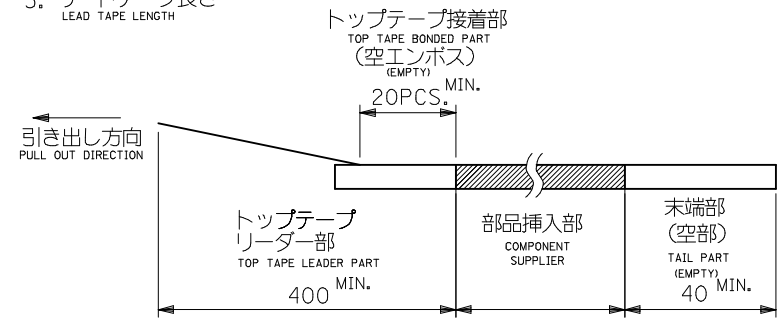
10 mm	52760 シリーズ
基板間寸法 STACKING HEIGHT	嵌合相手 TO BE MATED WITH

無し NO	66.47	70.37	65.37	62.865	—	53553-2079	53553-2077	200
	60.12	64.02	59.02	56.515	—	53553-1879	53553-1877	180
	53.77	57.67	52.67	50.165	—	53553-1679	53553-1677	160
	47.42	51.32	46.32	43.815	—	53553-1479	53553-1477	140
	34.72	38.62	33.62	31.115	53553-1078	53553-1079	53553-1077	100
28.37	32.27	27.27	24.765	53553-0878	53553-0879	53553-0877	80	
有り YES	22.02	25.92	20.92	18.415	53553-0678	53553-0679	53553-0677	60
	15.67	19.57	14.57	12.065	53553-0478	53553-0479	53553-0477	40
ハウジング HSG LOCK	D	C	B	A	エンボス梱包 EMBOSSED PACKAGING	スティック梱包 STICK PACKAGING	製品番号 MATERIAL NO.	極数 CKT. NO.
							MODEL NO. 53553-***77	

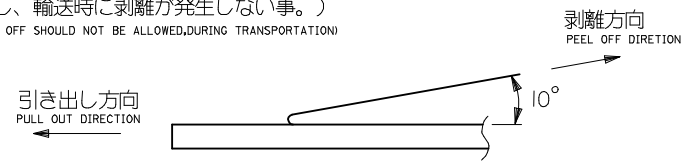
REVISED EC NO: J2009-0566 DRWN: MAKURAA 2008/12/16 CHKD: T. HARIYAMA 2008/12/16 APPR: NUKITA 2009/01/16	DESCRIPTION	GENERAL TOLERANCES (UNLESS SPECIFIED)		DIMENSION STYLE MM ONLY		SCALE ---	DESIGN UNITS METRIC	THIRD ANGLE PROJECTION	
		10 UNDER	±0.2	DRAWN BY T. UENO	DATE '04/02/27	TITLE 0.635 PITCH B-T0-B S/T PLUG HSG ASSY -LEAD FREE-			
		10 OVER 30 UNDER	±0.25	CHECKED BY M. SASAO	DATE '04/02/27	MOLEX MOLEX INCORPORATED			
		30 OVER	±0.3	APPROVED BY M. SASAO	DATE '04/02/27				
ANGULAR ±3 °		DRAFT WHERE APPLICABLE MUST REMAIN WITHIN DIMENSIONS		MATERIAL NO. SEE TABLE		DOCUMENT NO. SD-53553-006		SHEET NO. 1 OF 1	
THIS DRAWING CONTAINS INFORMATION THAT IS PROPRIETARY TO MOLEX INCORPORATED AND SHOULD NOT BE USED WITHOUT WRITTEN PERMISSION									

注)
NOTES

- 製品番号 53553-***77 の詳細寸法については、製品単体図面を参照下さい。
IN THE PACKAGE PART NO.53553-***77 DETAILED DIMENSIONS, SEE SALES DRAWING FOR CONNECTOR.
- 梱包数量 : 700 個/リール
NUMBER OF CONNECTORS : 700 PCS/REEL
- リードテープ長さ
LEAD TAPE LENGTH

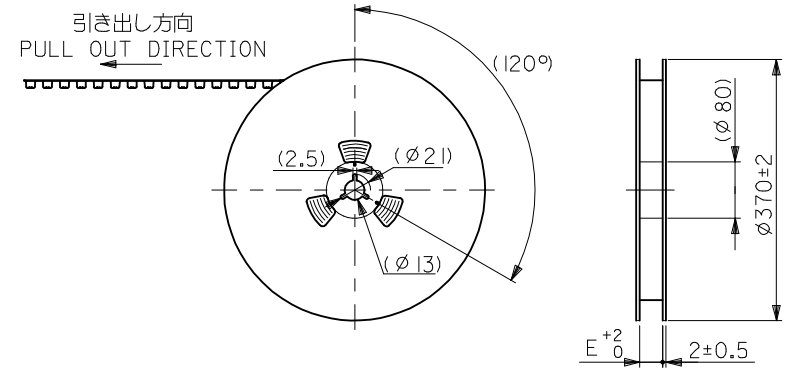


- トップテープの剥離強度 : (剥離方向は下図参照)
PEELING OFF FORCE OF TOP TAPE (PEELING DIRECTION AS SHOWN IN FOLLOWING FIG.)
0.1~1.3N (10~130gf)
尚、本規格値は、出荷時に適用。
THIS REQUIREMENT SHOULD BE APPLIED AT SHIPMENT
(但し、輸送時に剥離が発生しない事。)
(PEEL OFF SHOULD NOT BE ALLOWED, DURING TRANSPORTATION)

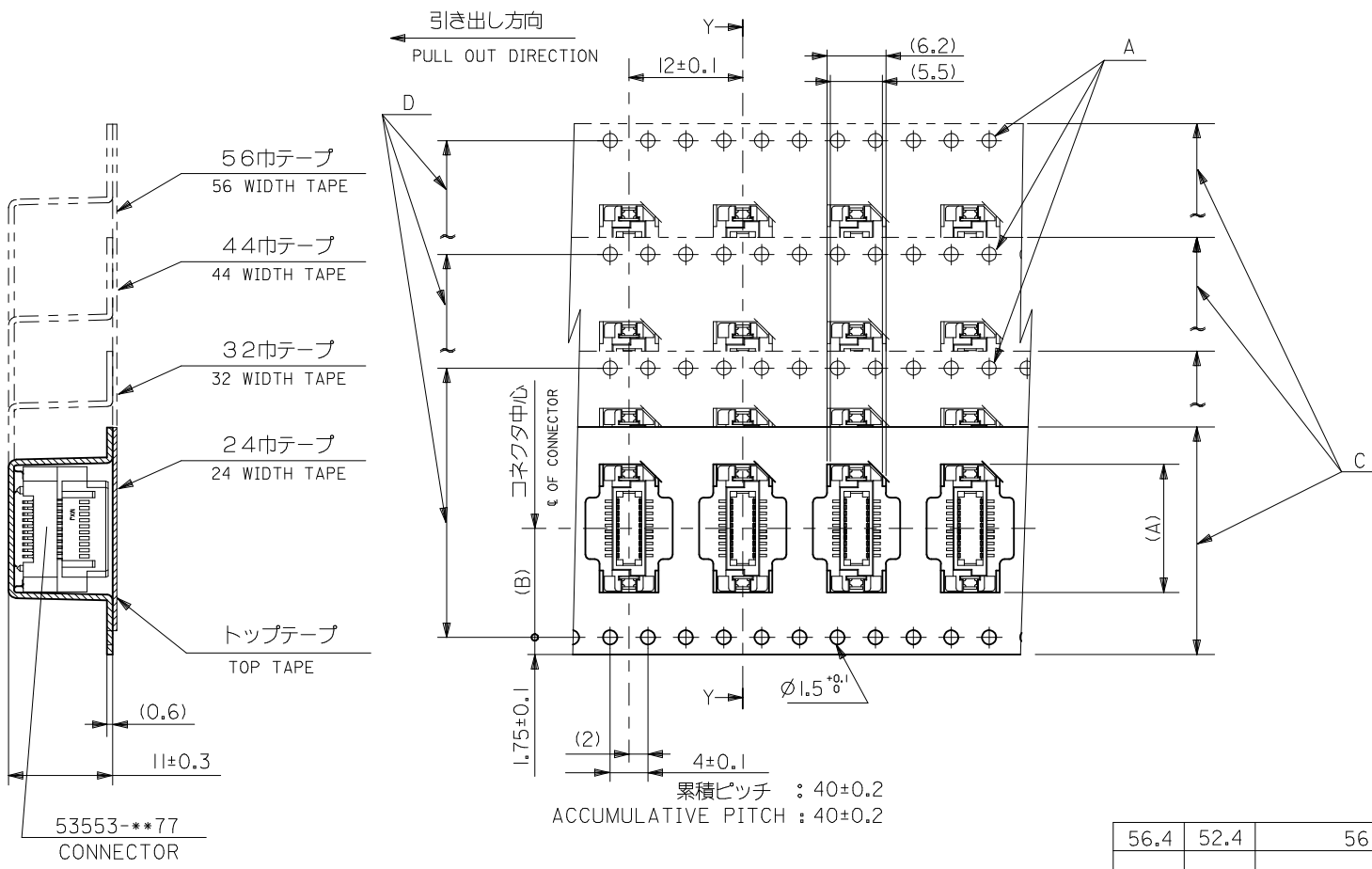


- 材料
MATERIAL
キャリアテープ : ポリプロピレン (PP)
CARRIER TAPE : POLYPROPYLENE (PP)
トップテープ : PET, PE, PEF
TOP TAPE : PET, PE, PEF
リール : 紙
REEL : CARD BOARD

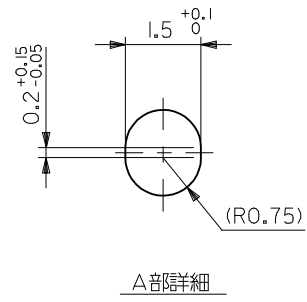
- 本製品は 53553-***8 の鉛フリー品である。
THIS PRODUCT IS LEAD FREE OF 53553-***8.



REVISED EC NO: J2009-0566 DRWN:NAKAMURA 2008/12/16 CHKD:T. HARUYAMA 2008/12/16 APPR:NUKITA 2009/01/16	DESCRIPTION REV	GENERAL TOLERANCES (UNLESS SPECIFIED)		DIMENSION STYLE MM ONLY		SCALE ---	DESIGN UNITS METRIC	MODEL NO. 53553-***78	
		10 UNDER	±---	DRAWN BY T. UENO	DATE '02/02/27	TITLE 53553-***77 TAPING PACKAGE -LEAD FREE-			
		10 OVER 30 UNDER	±---	CHECKED BY M. SASAO	DATE '02/02/27	MOLEX INCORPORATED			
		30 OVER	±---	APPROVED BY M. SASAO	DATE '02/02/27				
ANGULAR ±---° DRAFT WHERE APPLICABLE MUST REMAIN WITHIN DIMENSIONS		MATERIAL NO. SEE TABLE		DOCUMENT NO. SD-53553-007		SHEET NO. 1 OF 2			
THIS DRAWING CONTAINS INFORMATION THAT IS PROPRIETARY TO MOLEX INCORPORATED AND SHOULD NOT BE USED WITHOUT WRITTEN PERMISSION									



断面 Y-Y
SECTION Y-Y



56.4	52.4	56 ^{+0.3}	26.2	38.9	53553-1078	100
44.4	40.4	44 ^{+0.3}	20.2	32.6	53553-0878	80
32.4	28.4	32 ^{+0.3}	14.2	26.2	53553-0678	60
E	D	C	キャリアテープ幅 CARRIER TAPE WIDTH	(B)	(A)	40
					MATERIAL NO.	極数 NO. OF CXTS.
					MODEL NO.	53553-***78

REVISED EC NO: J2009-0566 DRWN: MAKURAA 2008/12/16 CHKD: T. HARIYAMA 2008/12/16 APPR: NUKITA 2009/01/16 REV: A	GENERAL TOLERANCES (UNLESS SPECIFIED)	DIMENSION STYLE MM ONLY	SCALE ---	DESIGN UNITS METRIC	THIRD ANGLE PROJECTION	
	10 UNDER ± --- 10 OVER 30 UNDER ± --- 30 OVER ± ---	ANGULAR ± --- ° DRAFT WHERE APPLICABLE MUST REMAIN WITHIN DIMENSIONS	DRAWN BY T. UENO DATE '04/02/27	TITLE 53553-***77 TAPING PACKAGE -LEAD FREE-	MOLEX MOLEX INCORPORATED	SHEET NO. 2 OF 2
	SEE TABLE		MATERIAL NO. SD-53553-007	DOCUMENT NO.		
	THIS DRAWING CONTAINS INFORMATION THAT IS PROPRIETARY TO MOLEX INCORPORATED AND SHOULD NOT BE USED WITHOUT WRITTEN PERMISSION					