

MF42

X

X

X

XX

MF42 Series
4.2mm Pitch



MF42-SP
ST w/Peg

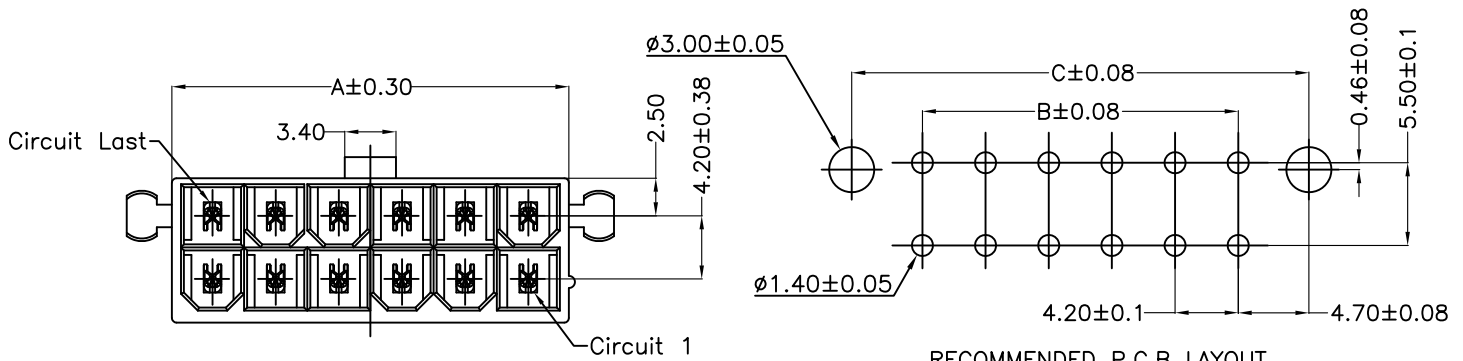
Type
S= Straight
R= R/A
H= Housing
or Contact

Wafer:
D= Dip only
P= w/Pegs
E= w/Ear hole
Housing:
M= Male
F= Female
Contact:
M= Male
F= Female

Wafer&Housing:
Blank
Contact:
T= Tin plated

No. of Positions
02~24

Circuits	Dim A	Dim B	Dim C	Circuits	Dim A	Dim B	Dim C
2	5.4	—	9.4	14	30.6	25.2	34.6
4	9.6	4.2	13.6	16	34.8	29.4	38.8
6	13.8	8.4	17.8	18	39.0	33.6	43.0
8	18.0	12.6	22.0	20	43.2	37.8	47.2
10	22.2	16.8	26.2	22	47.4	42.0	51.4
12	26.4	21.0	30.4	24	51.6	46.2	55.6



RECOMMENDED P.C.B LAYOUT
(Ref: Board Thick=1.78mm)

General Specification

Materials and Finish :

Insulator: Glass-reinforce thermoplastic, UL 94V-2, Nylon 66, Transparent white.
Contact : Brass, Tin plated.

Electrical :

Contact Resistance: 10 mΩ max. at 1A DC
Insulation Resistance: 1000 MΩ min, at 500 V/DC.
Dielectric Withstanding Voltage : 1500 V AC/RMS 60Hz for one minute.
Current Rating : 9A AC, DC
Voltage Rating : 600V AC/RMS 60Hz, DC

Environment :

Operating Temperature: -40 degree C to +105 degree C

MF42

X

X

X

XX

MF42 Series
4.2mm Pitch



MF42-SD
ST Dip

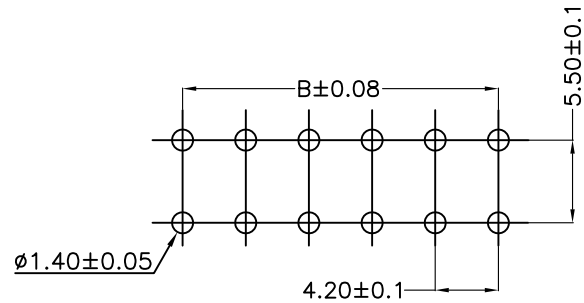
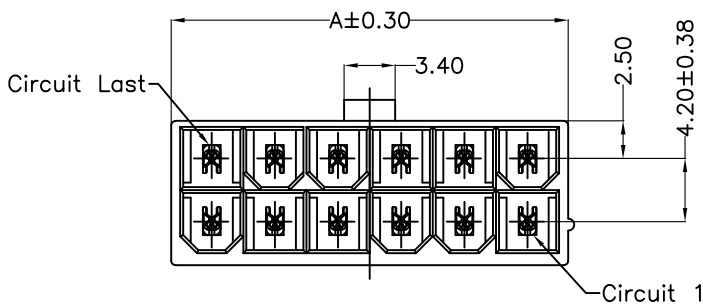
Type
S= Straight
R= R/A
H= Housing
or Contact

Wafer:
D= Dip only
P= w/Pegs
E= w/Ear hole
Housing:
M= Male
F= Female
Contact:
M= Male
F= Female

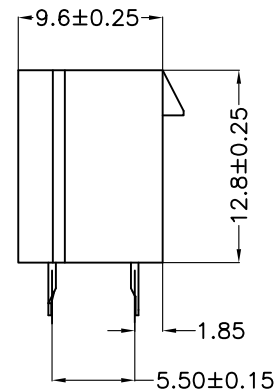
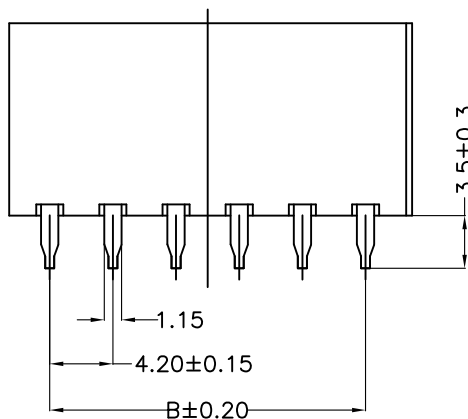
Wafer&Housing:
Blank
Contact:
T= Tin plated

No. of Positions
02~24

Circuits	Dim A	Dim B	Circuits	Dim A	Dim B
2	5.4	—	14	30.6	25.2
4	9.6	4.2	16	34.8	29.4
6	13.8	8.4	18	39.0	33.6
8	18.0	12.6	20	43.2	37.8
10	22.2	16.8	22	47.4	42.0
12	26.4	21.0	24	51.6	46.2



RECOMMENDED P.C.B LAYOUT



General Specification

Materials and Finish :

Insulator: Glass-reinforce thermoplastic, UL 94V-2, Nylon 66, Transparent white.

Contact : Brass, Tin plated.

Electrical :

Contact Resistance: 10 mΩ max. at 1A DC

Insulation Resistance: 1000 MΩ min, at 500 V/DC.

Dielectric Withstanding Voltage : 1500 V AC/RMS 60Hz for one minute.

Current Rating : 9A AC, DC

Voltage Rating : 600V AC/RMS 60Hz, DC

Environment :

Operating Temperature: -40 degree C to +105 degree C

MF42

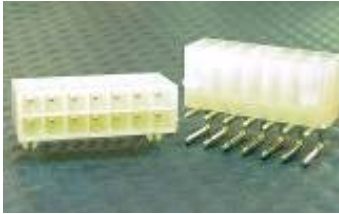
X

X

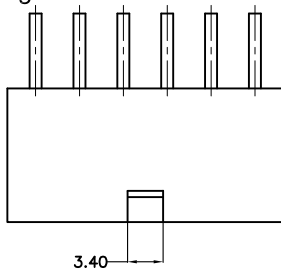
X

XX

MF42 Series
4.2mm Pitch



MF42-RP
R/A w/Peg



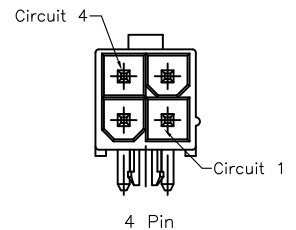
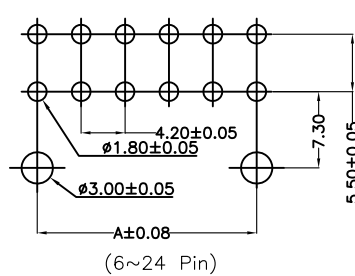
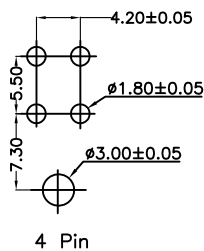
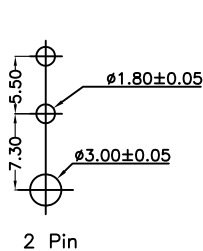
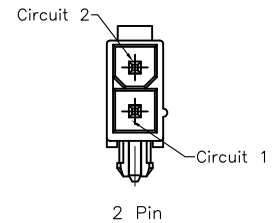
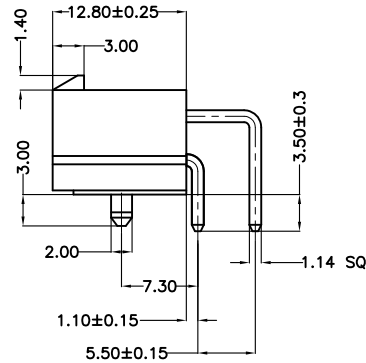
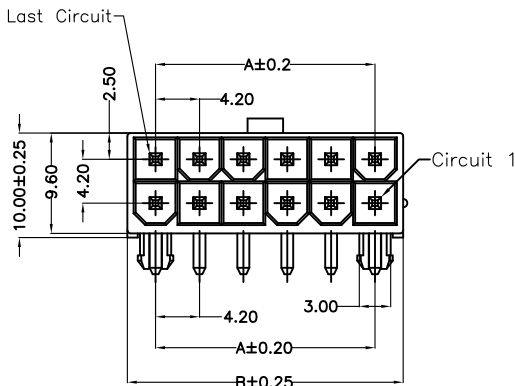
Type
S= Straight
R= R/A
H= Housing
or Contact

Wafer:
D= Dip only
P= w/Pegs
E= w/Ear hole
Housing:
M= Male
F= Female
Contact:
M= Male
F= Female

Wafer&Housing:
Blank
Contact:
T= Tin plated

No. of Positions
02~24

Circuits	Dim A	Dim B	Circuits	Dim A	Dim B
2	—	5.4	14	25.2	30.6
4	4.2	9.6	16	29.4	34.8
6	8.4	13.8	18	33.6	39.0
8	12.6	18.0	20	37.8	43.2
10	16.8	22.2	22	42.0	47.4
12	21.0	26.4	24	46.2	51.6



RECOMMENDED P.C.B LAYOUT

General Specification

Materials and Finish :

Insulator: Glass-reinforce thermoplastic, UL 94V-2, Nylon 66, Transparent white.
Contact : Brass, Tin plated.

Electrical :

Contact Resistance: 10 mΩ max. at 1A DC
Insulation Resistance: 1000 MΩ min, at 500 V/DC.
Dielectric Withstanding Voltage : 1500 V AC/RMS 60Hz for one minute.
Current Rating : 9A AC, DC
Voltage Rating : 600V AC/RMS 60Hz, DC

Environment :

Operating Temperature:
-40 degree C to +105 degree C

MF42

X
X
X

XX

MF42 Series
4.2mm Pitch



MF42-RE
R/A w/Ear hole

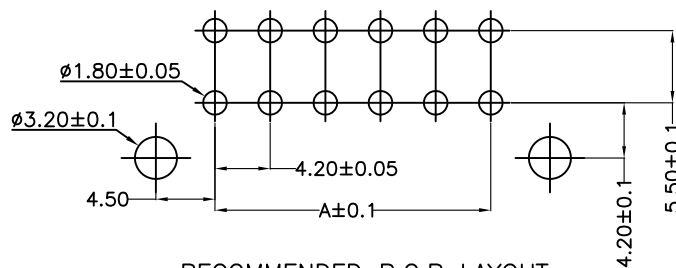
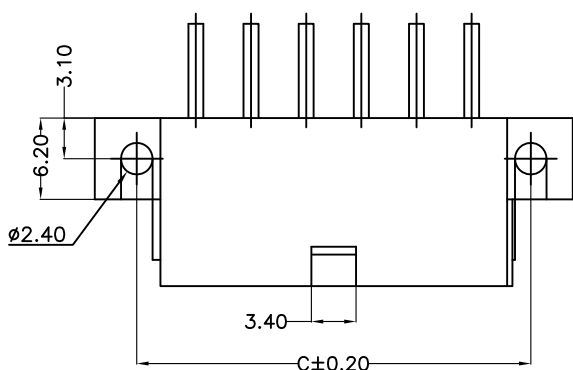
Type
S= Straight
R= R/A
H= Housing
or Contact

Wafer:
D= Dip only
P= w/Pegs
E= w/Ear hole
Housing:
M= Male
F= Female
Contact:
M= Male
F= Female

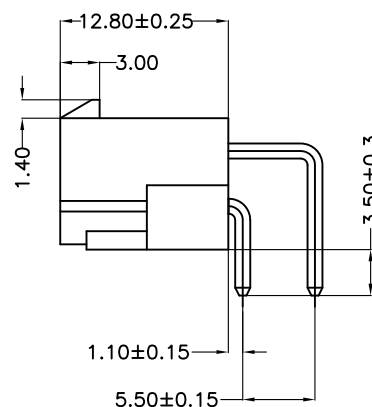
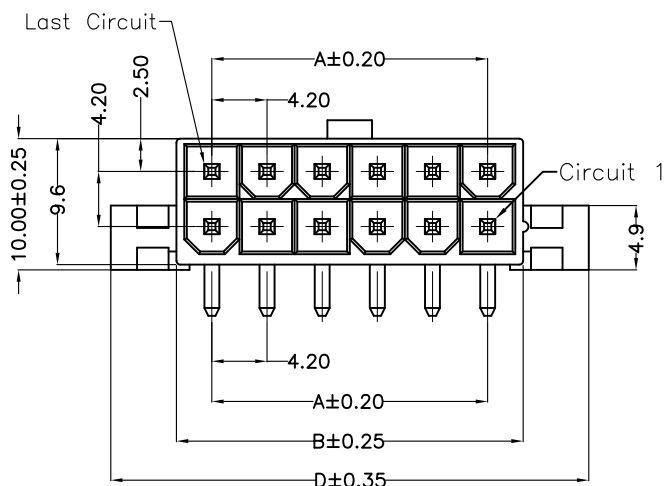
Wafer&Housing:
Blank
Contact:
T= Tin plated

No. of Positions
02~24

Circuits	Dim A	Dim B	Dim C	Dim D	Circuits	Dim A	Dim B	Dim C	Dim D
2	—	5.4	9.0	15.4	14	25.2	30.6	34.2	40.6
4	4.2	9.6	13.2	19.6	16	29.4	34.8	38.4	44.8
6	8.4	13.8	17.4	23.8	18	33.6	39.0	42.6	49.0
8	12.6	18.0	21.6	28.0	20	37.8	43.2	46.8	53.2
10	16.8	22.2	25.8	32.2	22	42.0	47.4	51.0	57.4
12	21.0	26.4	30.0	36.4	24	46.2	51.6	55.2	61.6



RECOMMENDED P.C.B LAYOUT



General Specification

Materials and Finish :

Insulator: Glass-reinforce thermoplastic, UL 94V-2, Nylon 66, Transparent white.
Contact : Brass, Tin plated.

Electrical :

Contact Resistance: 10 mΩ max. at 1A DC
Insulation Resistance: 1000 MΩ min, at 500 V/DC.
Dielectric Withstanding Voltage : 1500 V AC/RMS 60Hz for one minute.
Current Rating : 9A AC, DC
Voltage Rating : 600V AC/RMS 60Hz, DC

Environment :

Operating Temperature: -40 degree C to +105 degree C

MF42

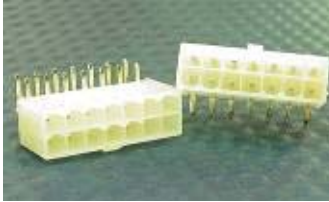
X

X

X

XX

MF42 Series
4.2mm Pitch



MF42-RD
R/A Dip

Type
S= Straight
R= R/A
H= Housing
or Contact

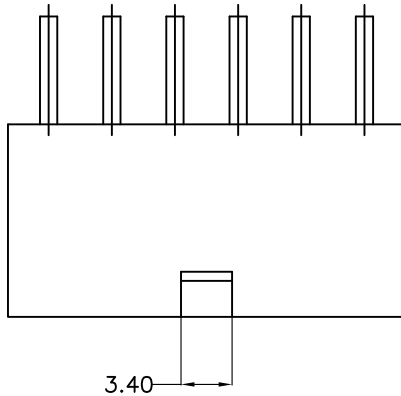
Wafer:
D= Dip only
P= w/Pegs
E= w/Ear hole

Housing:
M= Male
F= Female

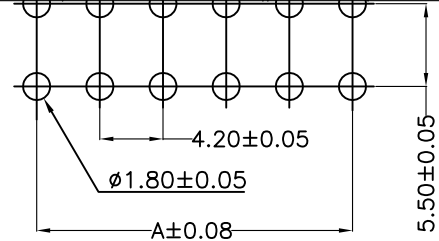
Contact:
M= Male
F= Female

Wafer&Housing:
Blank
Contact:
T= Tin plated

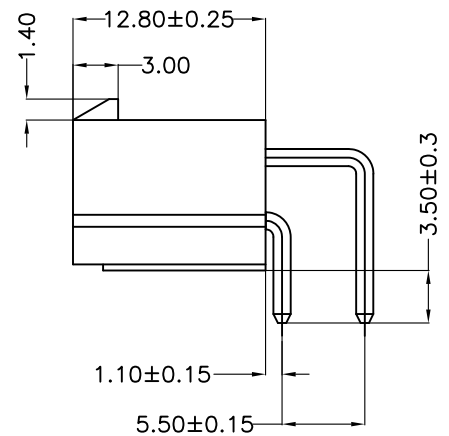
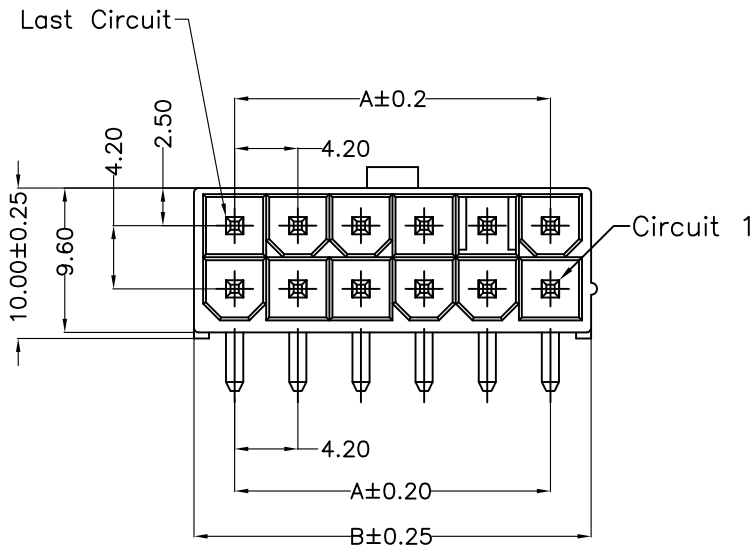
No. of Positions
02~24



Circuits	Dim A	Dim B	Circuits	Dim A	Dim B
6	8.4	19.3	22	42.0	52.9
8	12.6	23.5	24	46.2	57.1
10	16.8	27.7	26	50.4	61.3
12	21.0	31.9	28	54.6	65.5
14	25.2	36.1	30	58.8	69.7
16	29.4	40.3	32	63.0	73.9
18	33.6	44.5	34	67.2	78.1
20	37.8	48.7	36	71.4	82.3



RECOMMENDED P.C.B. LAYOUT



General Specification

Materials and Finish :

Insulator: Glass-reinforce thermoplastic, UL 94V-2, Nylon 66, Transparent white.

Contact : Brass, Tin plated.

Electrical :

Contact Resistance: 10 mΩ max. at 1A DC

Insulation Resistance: 1000 MΩ min, at 500 V/DC.

Dielectric Withstanding Voltage : 1500 V AC/RMS 60Hz for one minute.

Current Rating : 9A AC, DC

Voltage Rating : 600V AC/RMS 60Hz, DC

Environment :

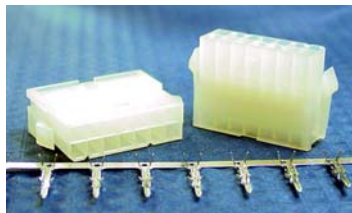
Operating Temperature: -40 degree C to +105 degree C

MF42

X
X
X

XX

MF42 Series
4.2mm Pitch



MF42-HM
Male Housing

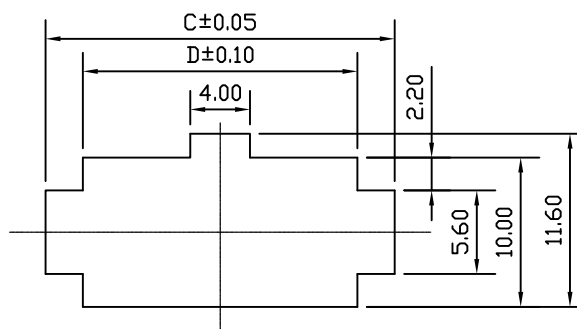
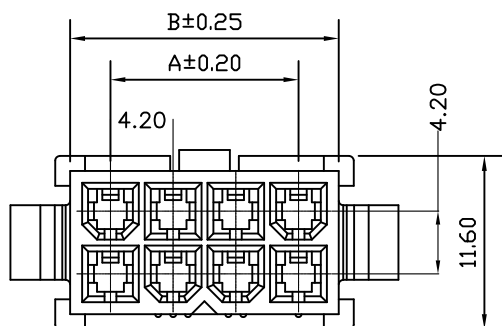
Type
S= Straight
R= R/A
H= Housing
or Contact

Wafer:
D= Dip only
P= w/Pegs
E= w/Ear hole
Housing:
M= Male
F= Female
Contact:
M= Male
F= Female

Wafer&Housing:
Blank
Contact:
T= Tin plated

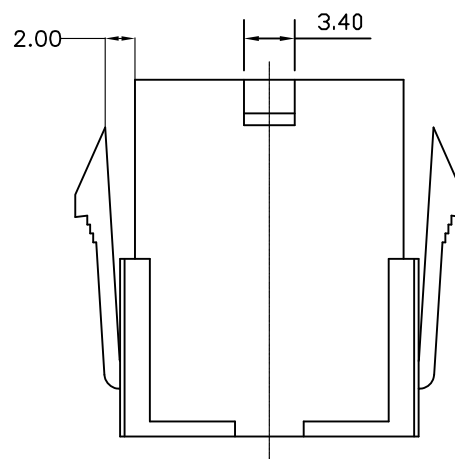
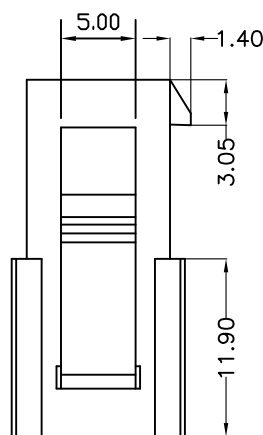
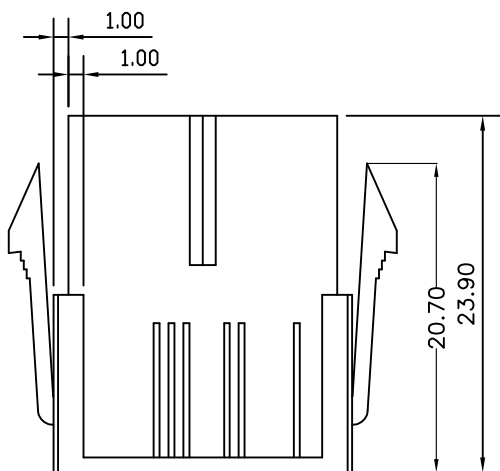
No. of Positions
02~24

Pos	Dim.A	Dim.B	Dim.C	Dim.D
02	—	5.4	10.8	5.8
04	4.2	9.6	15.0	10.0
06	8.4	13.8	19.2	14.2
08	12.6	18.0	23.4	18.4
10	16.8	22.2	27.6	22.6
12	21.0	26.4	31.8	26.8
14	25.2	30.6	36.0	31.1
16	29.4	34.8	40.2	35.3
18	33.6	39.0	44.4	39.5
20	37.8	43.2	48.6	43.7
22	42.0	47.4	52.8	47.9
24	46.2	51.6	57.0	52.1



Recommended Panel Hole Dimension

Thickness:0.8~2.0



General Specification

Materials and Finish :

Insulator: Glass-reinforce thermoplastic, UL 94V-2, Nylon 66, Transparent white.
Contact : Brass, Tin plated.

Electrical(after assembled with MF42-HMT):

Contact Resistance: 10 mΩ max. at 1A DC
Insulation Resistance: 1000 MΩ min, at 500 V/DC.
Dielectric Withstanding Voltage : 1500 V AC/RMS 60Hz for one minute.
Current Rating : 9A AC, DC
Voltage Rating : 600V AC/RMS 60Hz, DC

Environment :

Operating Temperature:
-40 degree C to +105 degree C

MF42

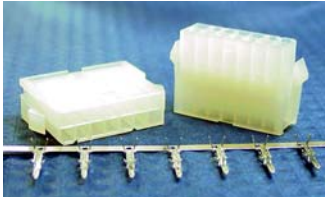
X

X

X

XX

MF42 Series
4.2mm Pitch



MF42-HMT
Male Contact

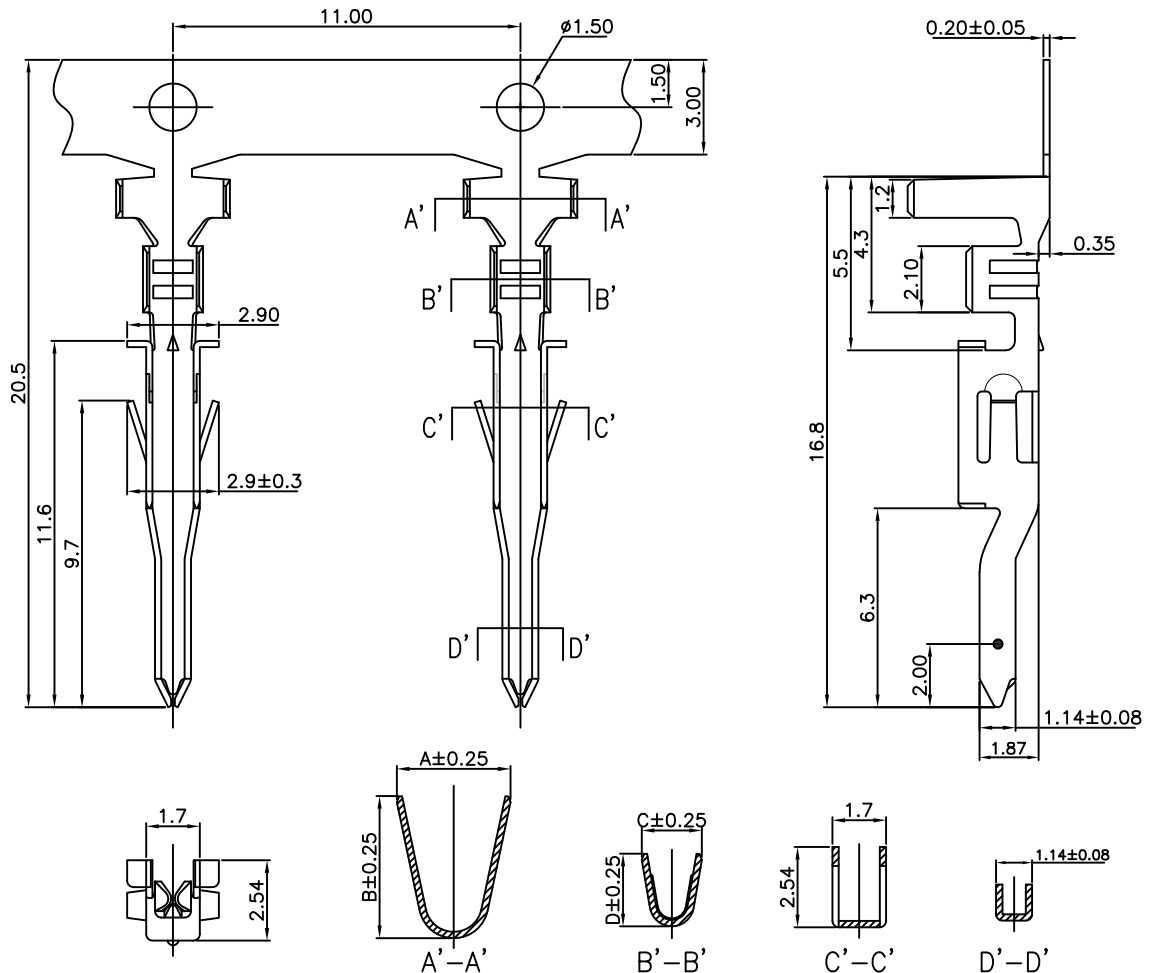
Type
S= Straight
R= R/A
H= Housing
or Contact

Wafer:
D= Dip only
P= w/Pegs
E= w/Ear hole
Housing:
M= Male
F= Female
Contact:
M= Male
F= Female

Wafer&Housing:
Blank
Contact:
T= Tin plated

No. of Positions
02~24

Wire Apply	A	B	C	D	INS. O.D.	Q'ty/Reel
16AWG	3.6	4.5	2.3	2.7	∅3.1 MAX	4,000Pcs
18~24AWG	3.6	4.5	1.9	2.3	∅1.3~3.1	4,000Pcs
22~28AWG	2.3	2.3	1.8	1.65	∅0.9~1.8	5,000Pcs



General Specification

Materials and Finish :

Contact : Brass, T:0.2mm
Finish: Tin plated
Applicable wires: AWG# 18~24

Electrical(after assembled with MF42-HM):

Contact Resistance: 10 mΩ max. at 1A DC
Insulation Resistance: 1000 MΩ min, at 500 V/DC.
Dielectric Withstanding Voltage : 1500 V AC/RMS 60Hz for one minute.
Current Rating : 9A AC, DC
Voltage Rating : 600V AC/RMS 60Hz, DC

Environment :

Operating Temperature:
-40 degree C to +105 degree C

MF42

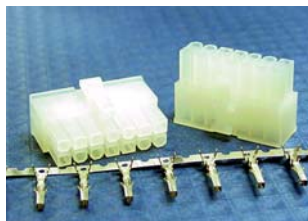
X

X

X

XX

MF42 Series
4.2mm Pitch



MF42-HF
Female Housing

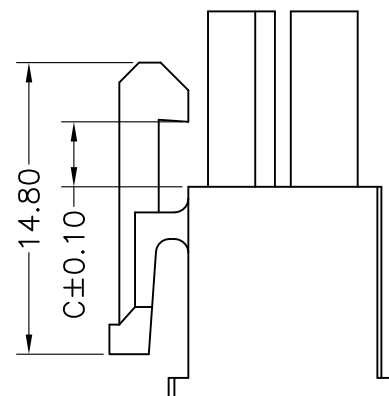
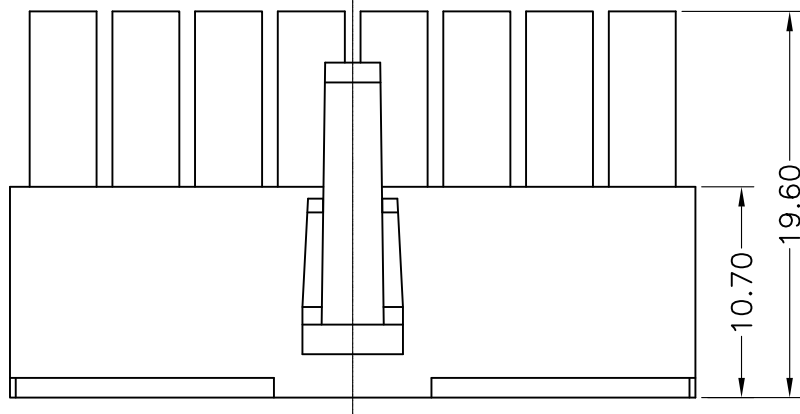
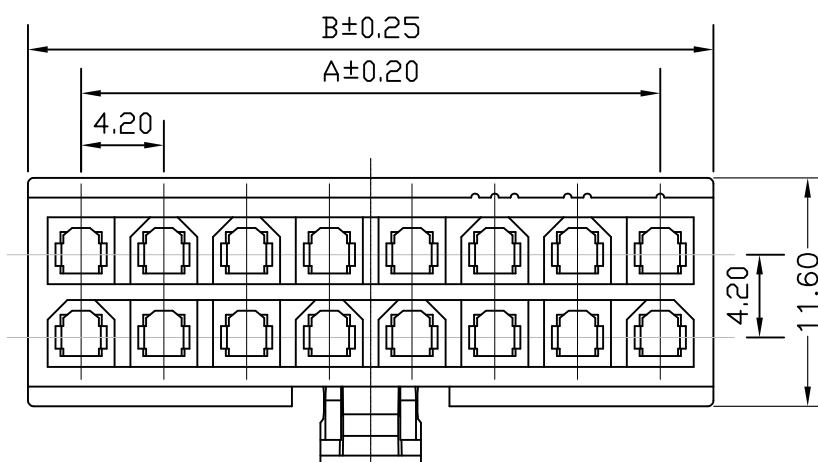
Type
S= Straight
R= R/A
H= Housing
or Contact

Wafer:
D= Dip only
P= w/Pegs
E= w/Ear hole
Housing:
M= Male
F= Female
Contact:
M= Male
F= Female

Wafer&Housing:
Blank
Contact:
T= Tin plated

No. of Positions
02~24

Circuits	DIM.A	DIM.B	DIM.C
2		5.40	3.30
4	4.20	9.60	3.30
6	8.40	13.80	3.30
8	12.60	18.00	3.30
10	16.80	22.20	3.30
12	21.00	26.40	3.30
14	25.20	30.60	3.30
16	29.40	34.80	3.30
18	33.60	39.00	3.60
20	37.80	43.20	3.60
22	42.00	47.40	3.60
24	46.20	51.60	3.60



General Specification

Materials and Finish :

Insulator: Glass-reinforce thermoplastic, UL 94V-2, Nylon 66, Transparent white.
Contact : Brass, Tin plated.

Electrical(after assembled with MF42-HFT):

Contact Resistance: 10 mΩ max. at 1A DC
Insulation Resistance: 1000 MΩ min, at 500 V/DC.
Dielectric Withstanding Voltage : 1500 V AC/RMS 60Hz for one minute.
Current Rating : 9A AC, DC
Voltage Rating : 900V AC/RMS 60Hz, DC

Environment :

Operating Temperature:
-40 degree C to +105 degree C

MF42

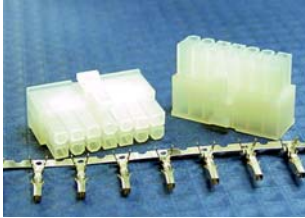
X

X

X

XX

MF42 Series
4.2mm Pitch



MF42-HFT
Female Contact

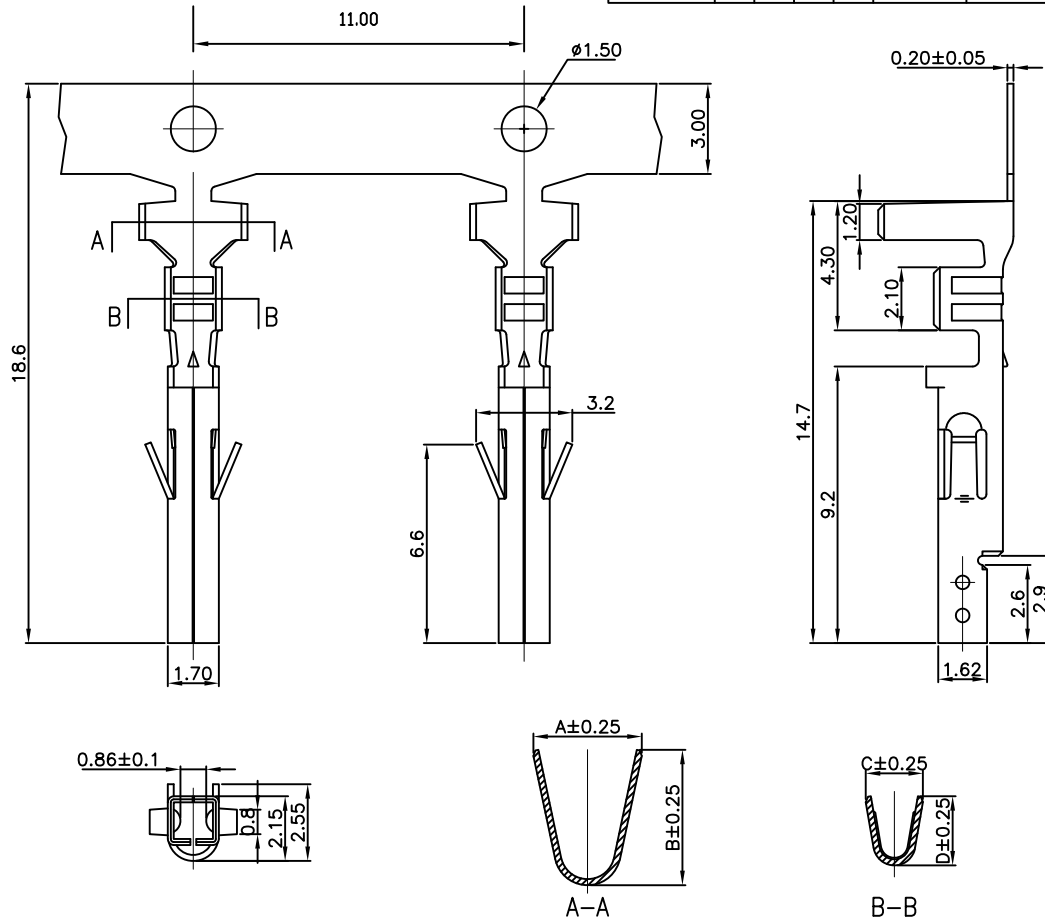
Type
S= Straight
R= R/A
H= Housing
or Contact

Wafer:
D= Dip only
P= w/Pegs
E= w/Ear hole
Housing:
M= Male
F= Female
Contact:
M= Male
F= Female

Wafer&Housing:
Blank
Contact:
T= Tin plated

No. of Positions
02~24

Wire Apply	A	B	C	D	INS. O.D.	Q'ty/Reel
16AWG	3.6	4.5	2.3	2.7	∅3.1MAX	4,000Pcs
18~24AWG	3.6	4.5	1.9	2.3	∅1.3~3.1	4,000Pcs
22~28AWG	2.3	2.3	1.8	1.65	∅0.9~1.8	5,000Pcs



General Specification

Materials and Finish :

Contact : Brass, T:0.2mm
Finish: Tin plated
Applicable wires: AWG# 18~24

Electrical(after assembled with MF42-HF):

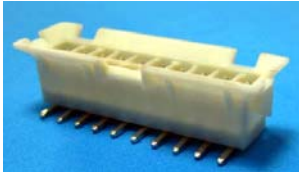
Contact Resistance: 10 mΩ max. at 1A DC
Insulation Resistance: 1000 MΩ min, at 500 V/DC.
Dielectric Withstanding Voltage : 1500 V AC/RMS 60Hz for one minute.
Current Rating : 9A AC, DC
Voltage Rating : 600V AC/RMS 60Hz, DC

Environment :

Operating Temperature: -40 degree C to +105 degree C

MF42L

MF42 Series 4.2mm Pitch with Guide Lip



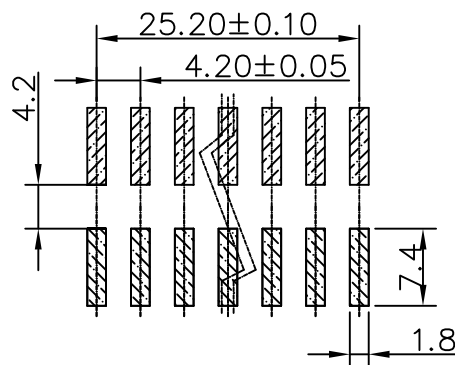
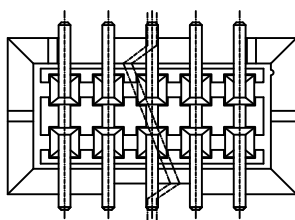
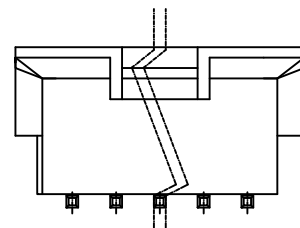
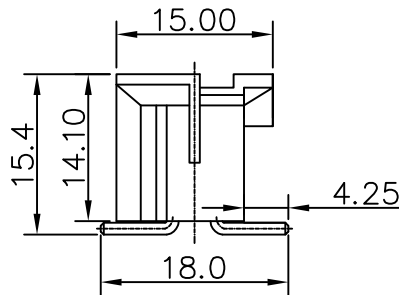
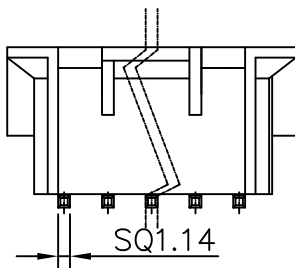
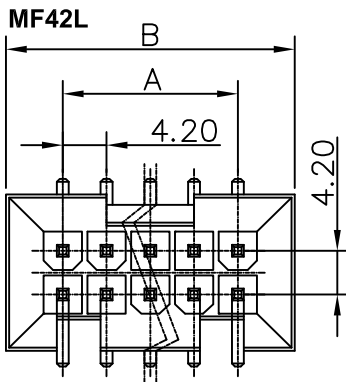
Type
 S= Straight
 R= R/A
 H= Housing or Contact

Wafer:
 P= Dip w/Pegs
 S= SMT w/o Pegs

Wafer&Housing:
 Blank
Contact:
 T= Tin plated

No. of Positions
 06~36

Circuits	Dim A	Dim B	Circuits	Dim A	Dim B
6	8.4	19.3	22	42.0	52.9
8	12.6	23.5	24	46.2	57.1
10	16.8	27.7	26	50.4	61.3
12	21.0	31.9	28	54.6	65.5
14	25.2	36.1	30	58.8	69.7
16	29.4	40.3	32	63.0	73.9
18	33.6	44.5	34	67.2	78.1
20	37.8	48.7	36	71.4	82.3



RECOMMENDED PCB LAYOUT

General Specification

Materials and Finish :

Insulator: Glass-reinforce thermoplastic, UL 94V-0, Nylon , Transparent white.

Contact : Brass, Tin plated.

Electrical:

Contact Resistance: 10 mΩ max. at 1A DC

Insulation Resistance: 1000 MΩ min, at 500 V/DC.

Dielectric Withstanding Voltage : 1500 V AC/RMS 60Hz for one minute.

Current Rating : 9A AC, DC

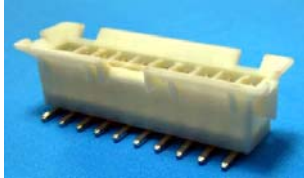
Voltage Rating : 600V AC/RMS 60Hz, DC

Environment :

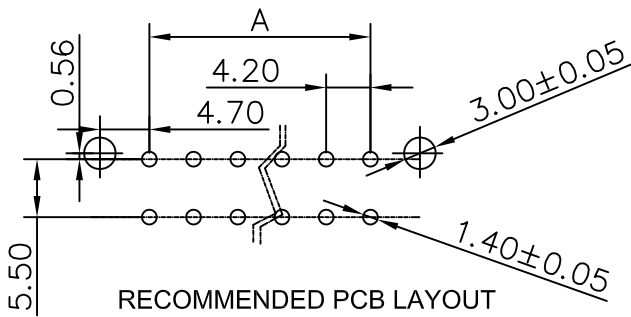
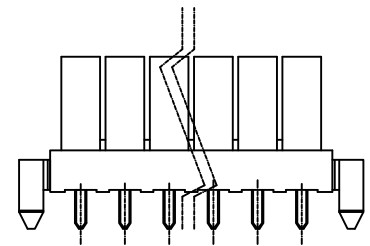
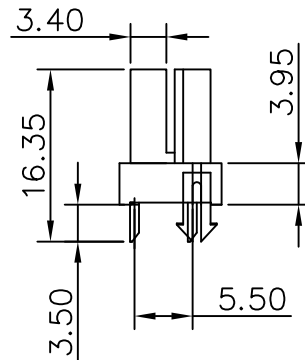
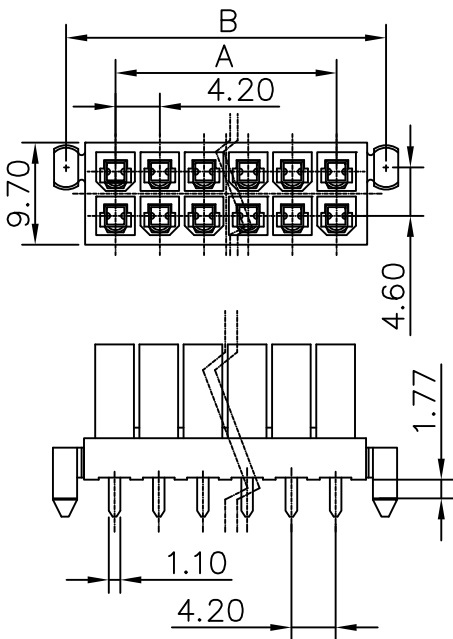
Operating Temperature: -40 degree C to +105 degree C

MF42L

MF42 Series 4.2mm Pitch with Guide Lip



MF42L



Type
 S= Straight
 R= R/A
 H= Housing or Contact

Wafer:
 P= Dip w/Pegs
 S= SMT w/o Pegs

Wafer&Housing:
 Blank
Contact:
 T= Tin plated

No. of Positions
 06~36

Circuits	Dim A	Dim B	Circuits	Dim A	Dim B
06	8.40	17.80	22	42.00	51.40
08	12.60	22.00	24	46.20	55.60
10	16.80	26.20	26	50.40	59.80
12	21.00	30.40	28	54.60	64.00
14	25.20	34.60	30	58.80	68.20
16	29.40	38.80	32	63.00	72.40
18	33.60	43.00	34	67.20	76.60
20	37.80	47.20	36	71.40	80.80

General Specification

Materials and Finish :

Insulator: Glass-reinforce thermoplastic, UL 94V-0, Nylon , Transparent white.

Contact : Brass, Tin plated.

Electrical:

Contact Resistance: 10 mΩ max. at 1A DC

Insulation Resistance: 1000 MΩ min, at 500 V/DC.

Dielectric Withstanding Voltage : 1500 V AC/RMS 60Hz for one minute.

Current Rating : 9A AC, DC

Voltage Rating : 600V AC/RMS 60Hz, DC

Environment :

Operating Temperature: -40 degree C to +105 degree C