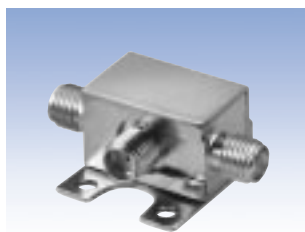


Coaxial

Directional Couplers

50Ω 5 to 2000 MHz

NEW!
ZX30-SERIES



CASE STYLE: FL905

Features

- very flat coupling
- very broad, multi-octave
- all welded construction
- protected by patent 6140887
- additional patent pending

Applications

- instrumentation
- cable tv
- communication receivers & transmitters

Electrical Specifications (T_{AMB} = 25°C)

MODEL NO.	FREQ. RANGE (MHz) f _L -f _U	COUPLING (dB)		MAINLINE LOSS (dB)			DIRECTIVITY (dB)			VSWR (:1)	POWER INPUT, W		CASE STYLE	COMMENTS	PRICE \$ Qty. (1-24)						
		Nom.	Typ. Flatness	L Typ. Max.	M Typ. Max.	U Typ. Max.	L Typ. Min.	M Typ. Min.	U Typ. Min.		L Max.	MU Max.									
ZX30-9-4	5-1200	8.9±0.5	±0.1	1.1	1.4	1.1	1.4	1.3	1.8	21	19	20	15	16	12	1.20	0.5	1.0	FL905	db	29.95
ZX30-12-4	5-1000	12.0±0.5	±0.3	0.7	1.0	0.85	1.0	0.9	1.2	35	28	25	20	20	13	1.15	0.5	1.0	FL905	db	29.95
ZX30-13-4	5-1200	13.0±0.5	±0.3	0.6	0.9	0.7	1.1	0.9	1.5	21	18	19	15	15	10	1.15	0.5	1.0	FL905	db	29.95
ZX30-17-5	5-1000	16.8±0.7	±0.4				0.7	1.1				16	14			1.30	0.5	1.0	FL905	db	29.95
	1000-1500	17.5±0.9	±0.4				0.85	1.4				18	12			1.30	0.5	1.0			
	1500-2000	18.5±1.0	±0.3				1.1	1.7				14	—			1.30	0.5	1.0			
ZX30-20-4	5-1000	20.5±0.6	±0.5	0.3	0.5	0.35	0.6	0.6	0.9	21	19	22	19	19	11	1.11	1.0	1.0	FL905	db	29.95

L = low range [f_L to 10 f_L] M = mid range [10 f_L to f_U/2] U = upper range [f_U/2 to f_U]

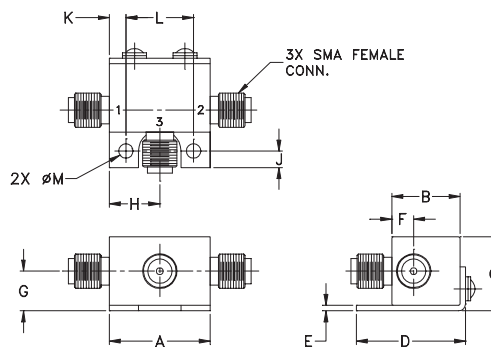
Maximum Ratings

Operating Temperature	-40°C to 85°C
Storage Temperature	-55°C to 100°C

Port Connections

	PORT
INPUT	1
OUTPUT	2
COUPLED	3

Outline Drawing



Outline Dimensions (inch/mm)

A	B	C	D	E	F	G	H	J
.74	.50	.54	.80	.04	.16	.29	.37	.122
18.80	12.70	13.72	20.32	1.02	4.06	7.37	9.40	3.10
K	L	M	wt.					
.122	.496	.106	grams					
3.10	12.60	2.69	20.0					

REV. C
M83370
ZX30-9-4 ED-10213A/1
ZX30-12-4 ED-10213A/2
ZX30-13-4 ED-10213A/3
ZX30-17-5 ED-10213A/4
ZX30-20-4 ED-10213A/5
ZX30-SERIES
RVN/TD/CP
020920



INTERNET <http://www.minicircuits.com>

P.O. Box 350166, Brooklyn, New York 11235-0003 (718) 934-4500 Fax (718) 332-4661

Distribution Centers NORTH AMERICA 800-654-7949 • 417-335-5935 • Fax 417-335-5945 • EUROPE 44-1252-832600 • Fax 44-1252-837010

ISO 9001 CERTIFIED