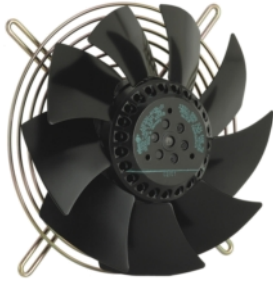


S2E200-BH38-01

AC axial fan with guard grille for full nozzle sickled blades (S series)



ebm-papst Mulfingen GmbH & Co. KG

Bachmühle 2
74673 Mulfingen
Phone: +49 7938 81-0
Fax: +49 7938 81-110
www.ebmpapst.com
info1@de.ebmpapst.com

Nominal data

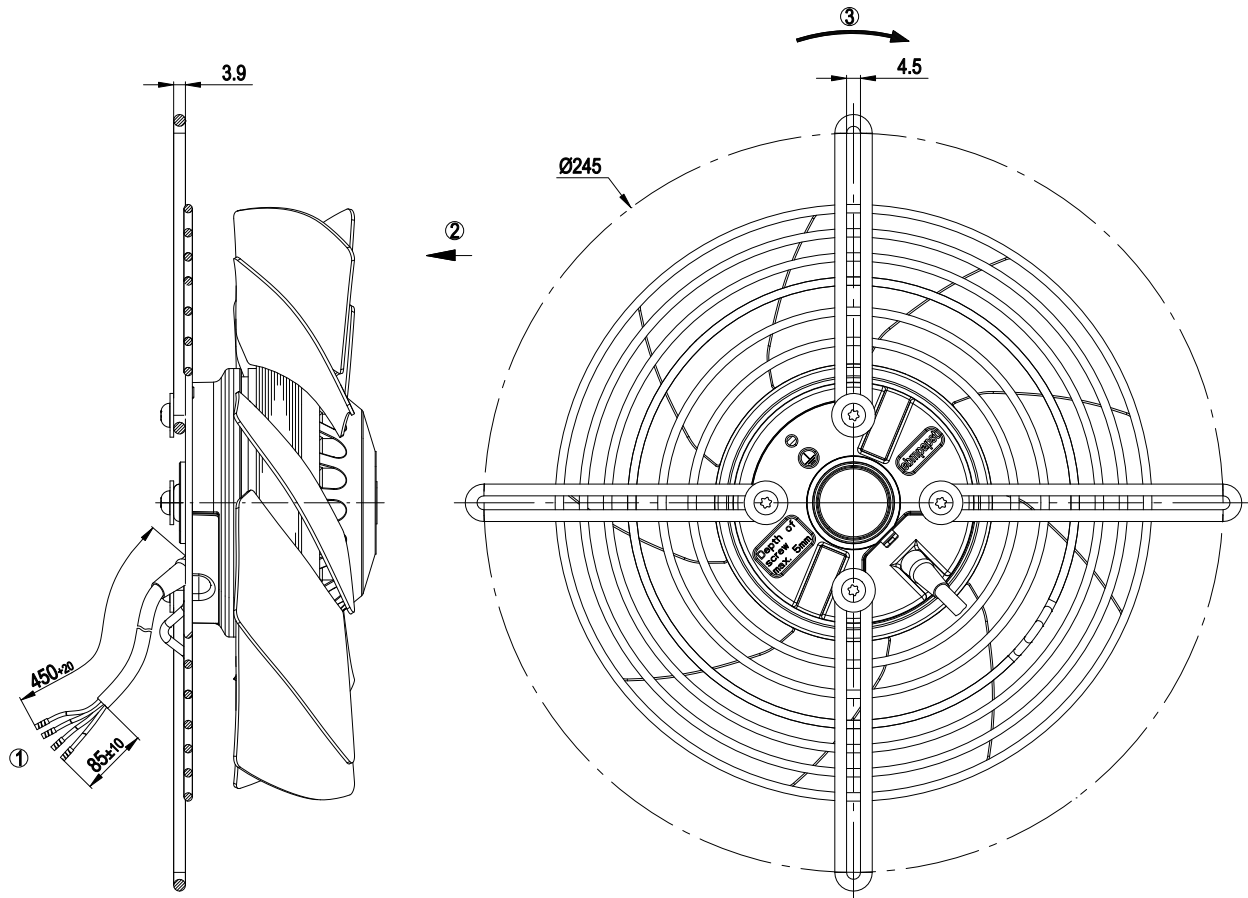
Type	S2E200-BH38-01		
Motor	M2E068-BF		
Phase		1~	1~
Nominal voltage	[V]	230	230
Frequency	[Hz]	50	60
Type of data definition		rfa	rfa
Valid for approval / standard		CE	CE
Speed	[min ⁻¹]	2600	2900
Power input	[W]	64	78
Current draw	[A]	0.3	0.34
Motor capacitor	[µF]	1.5	1.5
Capacitor voltage	[VDB]	450	450
Max. back pressure	[Pa]	150	150
Max. ambient temperature	[°C]	65	65
Air flow	[m ³ /h]	890	990
Back pressure	[Pa]	0	0
Sound pressure level	[dB(A)]	65	68

ml = max. load · me = max. efficiency · rfa = running at free air · cs = customer specs · cu = customer unit
Subject to alterations

Technical features

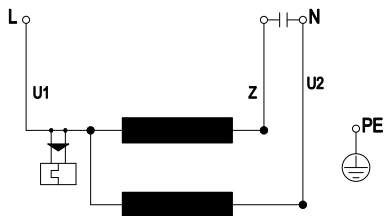
Leakage current	< 0,75 mA
Size	200 mm
Operation mode	S1
Mounting position	Shaft horizontal or rotor on bottom; rotor on top on request
Direction of rotation	Counter-clockwise, seen on rotor
Insulation class	"B"
Cable exit	Variable
Condensate discharge holes	Rotor-side
Bearing-motor	Ball bearing
Mass	1.6 kg
Material of blades	Sheet steel, coated in black
Material of guard grille	Steel, phosphated and coated in black plastic
Motor protection	Thermal overload protector (TOP) wired internally
Product conforming to standard	CE; EN 60335-1
Surface of rotor	Coated in black
Number of blades	9
Type of protection	IP 44
Protection class	I
Approval	CCC

Product drawing



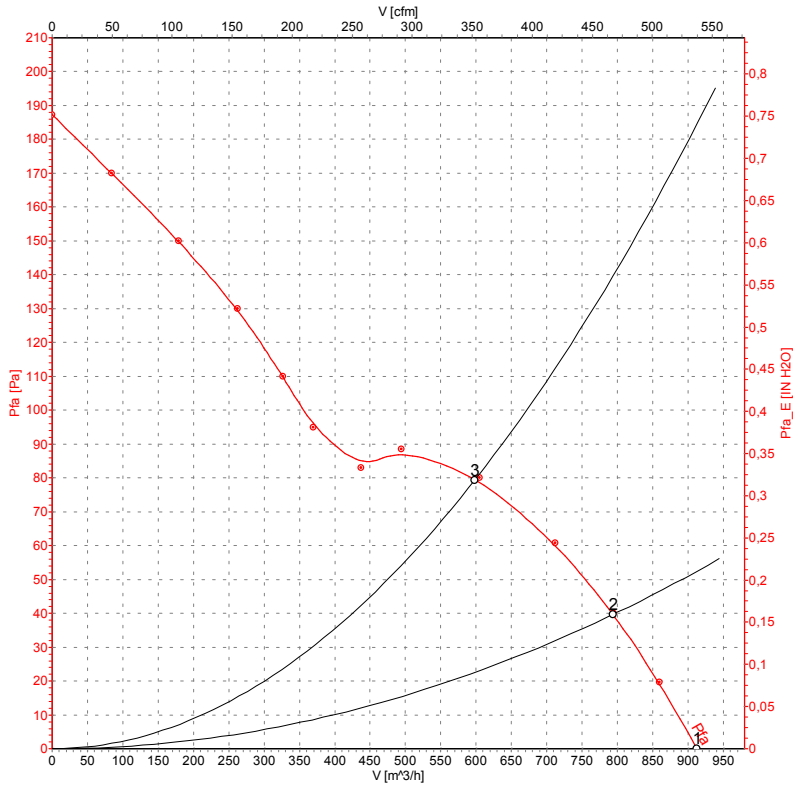
- 1 Connection line PVC, 4x crimped core-end sleeves
- 2 Direction of air flow "V"
- 3 Direction of rotation counterclockwise, seen on rotor

Connection screen



U1	blue	Z	brown	U2	black
PE	green/yellow				

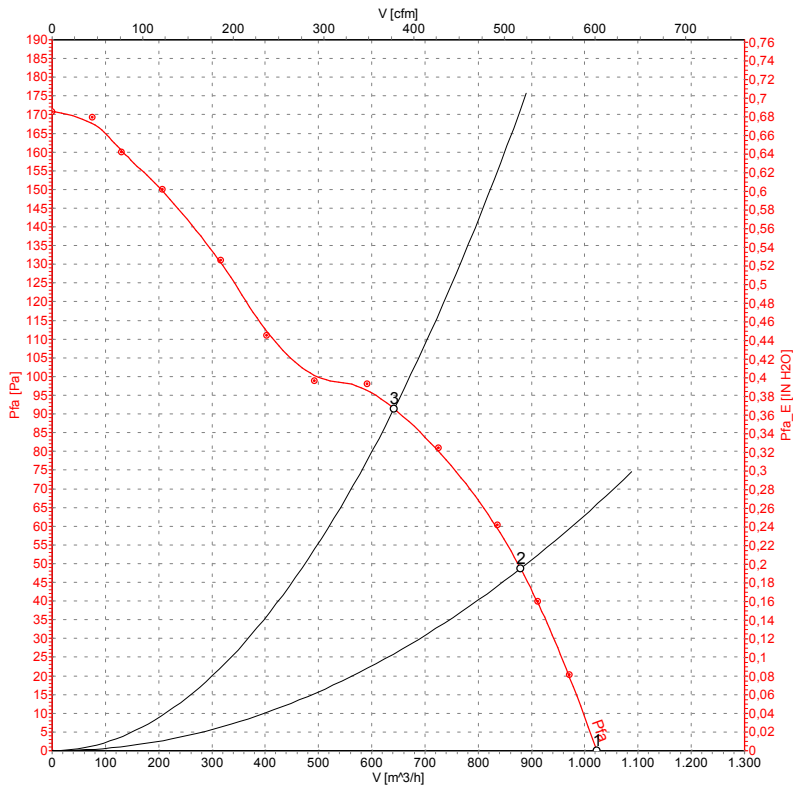
Charts: Air flow 50 Hz



Measured values

	U	f	n	P ₁	I	Ŷ	P _{fa}
	[V]	[Hz]	[min ⁻¹]	[W]	[A]	[m³/h]	[Pa]
1	230	50	2605	63	0.30	915	0
2	230	50	2545	66	0.31	795	40
3	230	50	2465	70	0.32	600	80

Charts: Air flow 60 Hz



Measured values

	U	f	n	P ₁	I	\hat{V}	P _{fa}
	[V]	[Hz]	[min ⁻¹]	[W]	[A]	[m ³ /h]	[Pa]
1	230	60	2915	77	0.33	1025	0
2	230	60	2795	82	0.36	880	49
3	230	60	2660	87	0.38	640	92