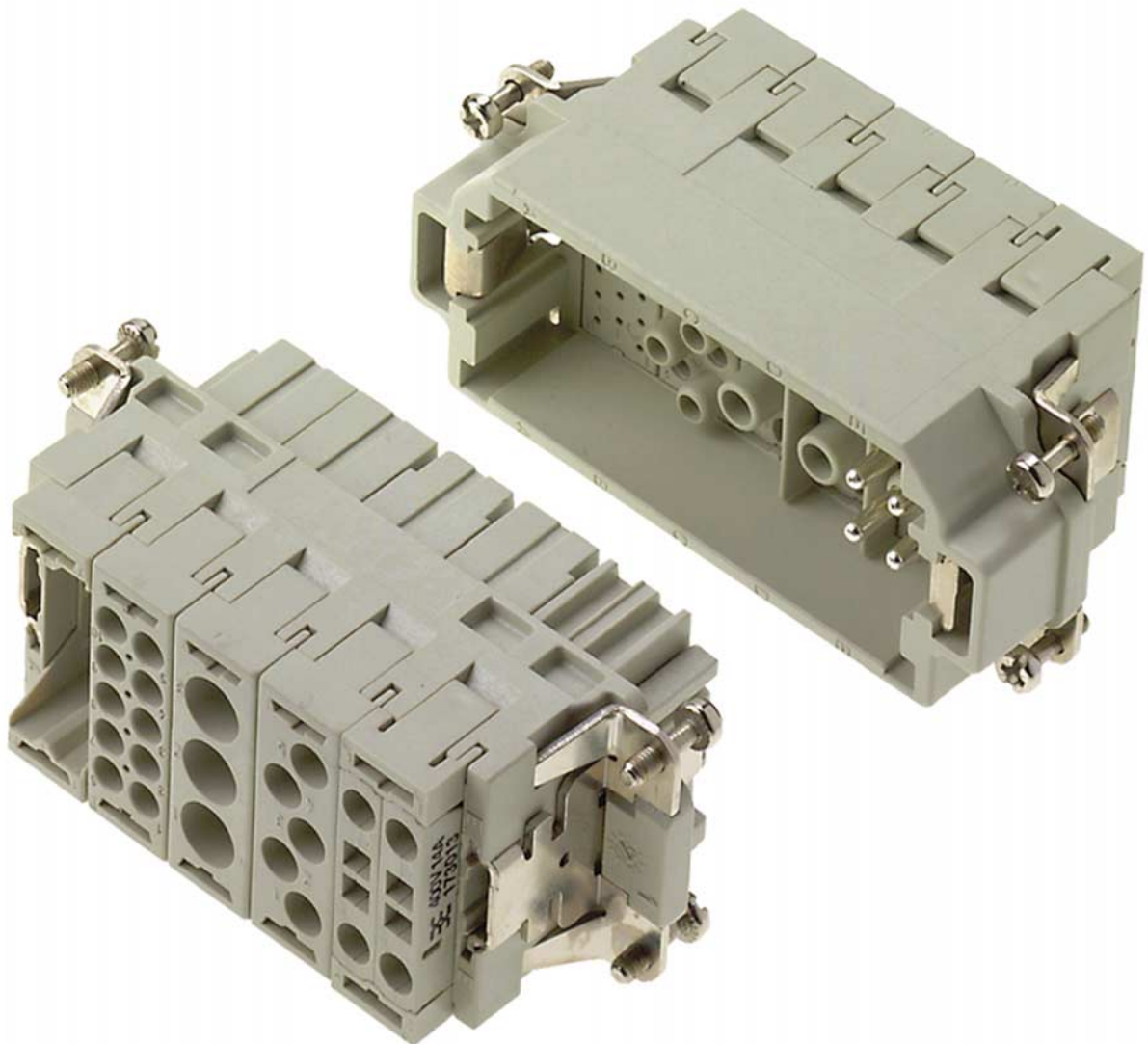


Series ConCept



Series ConCept

Series ConCept

- Screw connection (2-pole)
- Crimp contact (3- to 20-pole)
- Tension clamp (4-pole)
- Poles numbers: 2, 3, 4, 5, 10, 20
- Stamped or turned crimp contacts

Universal and flexible – the solution for a large number of applications

The modular ConCept connector system is a low-cost alternative of the well-known and proven HE inserts with fixed poles. It provides the user with flexibility in standard applications and in applications that require customized connectors.

Weidmüller have expanded the system by a tension clamp and a crimp module that offers a free selection of the connecting technology: crimp or tension clamp.

The steadily increasing number of modules with varying numbers of poles and electrical specifications are the basis of a very high number of combination options. Six different male and female modules with different power data and connecting technology, in conjunction with the mounting frames for 2, 3, 5, or 7 modules provide variable connector combinations options.

Single or double-row frames, in combination with standard housings create a reliable connection in machines, switchgear cabinets, motors and installations.

Benefits:

- signal and power transmission possible via the same connector
- extremely flexible due to a large number of practical combinations of modules, frames, hoods and housings
- free choice of the connecting technology in the modules
- crimp module for low-cost HE crimps
- tension clamp module for time-saving processing, maintenance-free and highly vibration-proof
- modules and frames made from a PC material without halogene or phosphorus



ConConcept / Technical Data

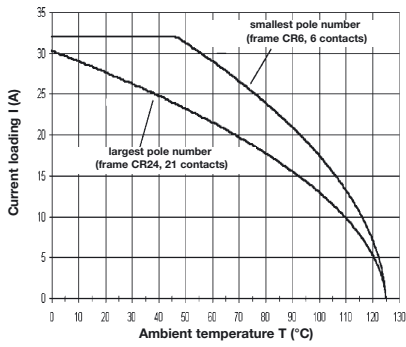
| | 630 V/40 A | 400* V/20 A | 250 V/10 A | 100 V/4 A | 630 V/25 A | 400 V/14 A | 1000 V/82 A | 1000 V/82 A |
|--|------------------------------------|---------------------------------|------------------|------------------|------------------|------------------|------------------|------------------|
| System specifications | | | | | | | | |
| Pole number | 3 | 5 | 10 | 20 | 4 | 4 | 1/1 PE | 2 |
| Description | CM-3 | CM-5 | CM-10 | CM-20 | CM-HE | CM-4BZF/4SZF | CM 1 + PE | CM-2 |
| Contact diameter | 3.6 | 2.5 | 1.6 | 1 | 2.5 | 2.5 | 6 | 6 |
| Connection method | crimp | crimp | crimp | crimp | crimp | tension clamp | screw | screw |
| Contact | turned | turned | turned | stamped | turned | turned | turned | turned |
| Electrical specification plastic PC | | | | | | | | |
| Colour: grey | | | | | | | | |
| Rated voltage max. | 630 | 250 | 250 | 100 | 630 | 400 | 1000 | 1000 |
| Rated current max. | 40 | 20 | 10 | 4 | 25 | 14 | 82 | 82 |
| Impulse voltage | 8 | 6 | 4 | 1.5 | 8 | 6 | 6 | 6 |
| Pollution severity | 3 | 3 | 3 | 3 | 3 | 3 | 3 | 3 |
| Insulation resistance | 10 ¹² | 10 ¹² | 10 ¹¹ | 10 ¹² | 10 ¹² | 10 ¹² | 10 ¹² | 10 ¹² |
| Overvoltage category | III | III | III | III | III | III | III | III |
| Through resistance | < 5 | < 5 | < 5 | < 5 | < 5 | < 5 | < 5 | < 5 |
| Electrical specification plastic PA | | | | | | | | |
| Colour: black | | | | | | | | |
| Rated voltage max. | 630 | 400 | 250 | 100 | | | | |
| Rated current max. | 40 | 20 | 10 | 4 | | | | |
| Impulse voltage | 8 | 6 | 4 | 1.5 | | | | |
| Pollution severity | 3 | 3 | 3 | 3 | | | | |
| Insulation resistance | 10 ¹¹ | 10 ¹¹ | 10 ¹⁰ | 10 ¹¹ | | | | |
| Overvoltage category | III | III | III | III | | | | |
| Through resistance | < 5 | < 5 | < 5 | < 5 | | | | |
| | | *400 Volt only if black modules | | | | | | |
| Materials data | | | | | | | | |
| • Modules | V-0 | | | | | | | |
| Flammability class UL 94 | PA/PC (grey, RAL 7032) | | | | | | | |
| Plastic material | PA (black, RAL 9005) ³⁾ | | | | | | | |
| • Frames | V-0 | | | | | | | |
| Flammability class UL 94 | PC (grey, RAL 7032) | | | | | | | |
| Plastic material | PA (black, RAL 9005) ³⁾ | | | | | | | |
| • Contacts | Cu-alloy | | | | | | | |
| Basic material | Ag | Ag | Ag/Au | Ag | Ag/Au | Ag | | |
| Plating | | | | | | | | |

Application note:

Weidmüller connectors are tested according to the DIN VDE 0627 standard, and are valid for its field of applications. Provided that the connectors are used for the intended purpose, all requirements with respect to the occurring of electrical, mechanical, thermic and corrosive stress will be satisfied. Connectors are not allowed to be operated under loading.

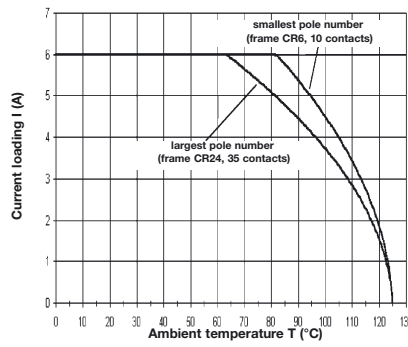
- 1) Ferrules are required for the connection of conductors with a cross-section $\leq 0.75 \text{ mm}^2$.
- 2) Ring tongues are required for the connection of conductors with a cross-section 6 mm^2 to 10 mm^2 .
- 3) 4-pole crimp module CM-HE and tension clamp module CM-4BZF/4SZF are only available in PC (grey).

Module CM-3



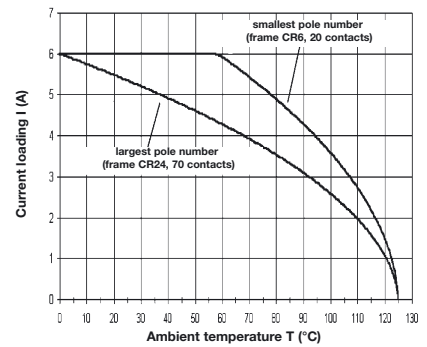
ConCept module CM-3
Conductor H07V-K4.0 mm²

Module CM-5

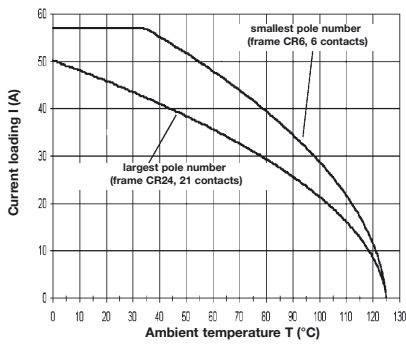


ConCept module CM-5
Conductor H05V-K0.5 mm²

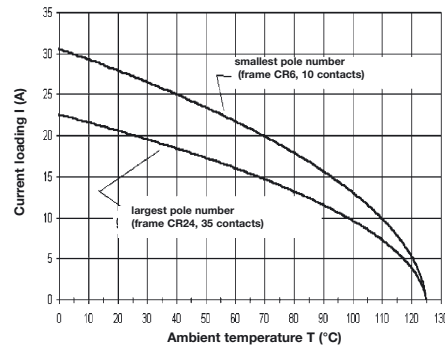
Module CM-10



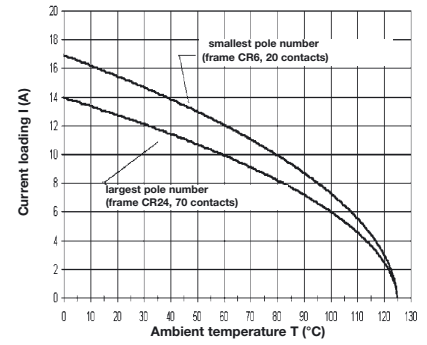
ConCept module CM-10
Conductor H05V-K0.5 mm²



ConCept module CM-3
Conductor H07V-K10.0 mm²

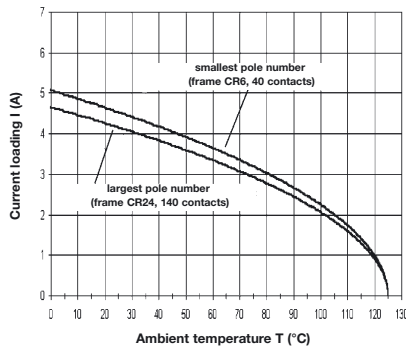


ConCept module CM-5
Conductor H07V-K4.0 mm²



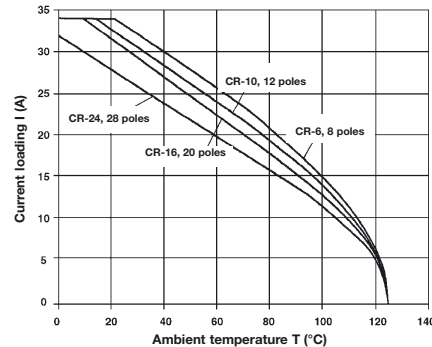
ConCept module CM-10
Conductor H07V-K2.5 mm²

Module CM-20



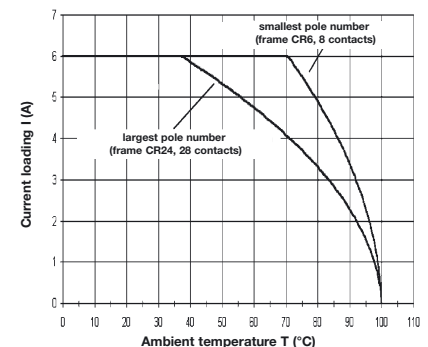
ConCept module CM-20
AWG-Conductor 20/19

Module CM-HE



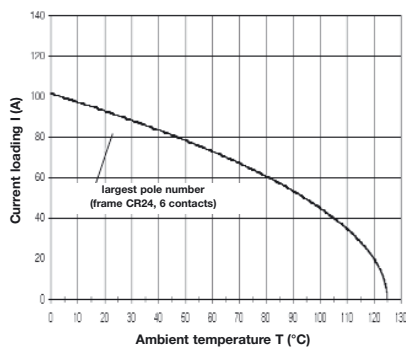
ConCept module CM-HE
Conductor H07V-K4.0 mm²

Module CM-4BZF/4SZF

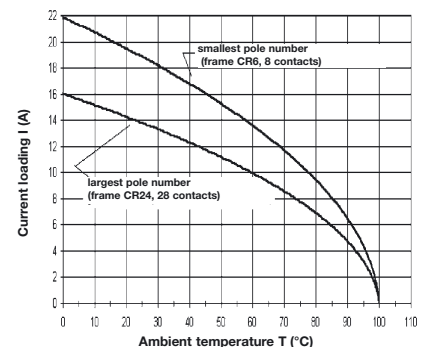


ConCept module CM-4BZF/4SZF
Conductor H05V-K0.5 mm²

Module CM-2



ConCept module CM-2
Conductor 16 mm²

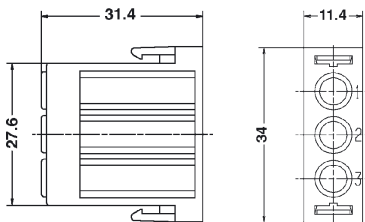


ConCept module CM-4BZF/4SZF
Conductor H07V-K2.5 mm²

ConCept Modules

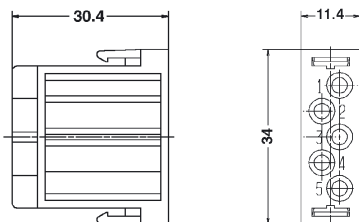
Crimp connection CM-3SCM

3-pole 630 V/40 A



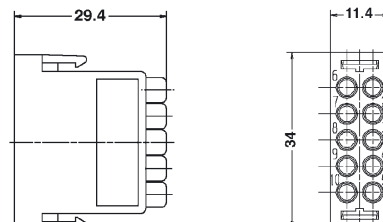
Crimp connection CM-5SCM

5-pole 250° V/20 A



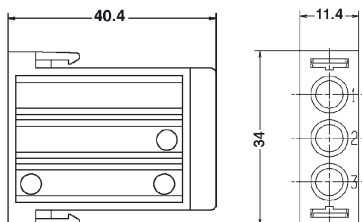
Crimp connection CM-10SCM

10-pole 250 V/10 A



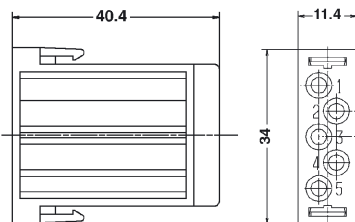
Crimp connection CM-3BCM

3-pole 630 V/40 A



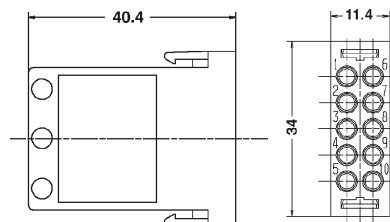
Crimp connection CM-5BCM

5-pole 250° V/20 A



Crimp connection CM-10BCM

10-pole 250 V/10 A



For turned contacts

| Colour | | Black | Grey |
|---------|-------------|------------|------------|
| Version | Type | Cat. No. | Cat. No. |
| Male | HDC-CM-3SCM | 1682080000 | 1758360000 |
| Female | HDC-CM-3BCM | 1682090000 | 1758370000 |

For turned contacts

| Colour | | Black | Grey |
|---------|-------------|------------|------------|
| Version | Type | Cat. No. | Cat. No. |
| Male | HDC-CM-5SCM | 1682100000 | 1758380000 |
| Female | HDC-CM-5BCM | 1682110000 | 1758390000 |

For turned contacts

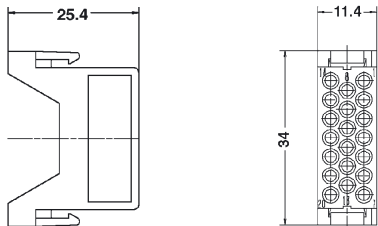
| Colour | | Black | Grey |
|---------|--------------|------------|------------|
| Version | Type | Cat. No. | Cat. No. |
| Male | HDC-CM-10SCM | 1682120000 | 1758400000 |
| Female | HDC-CM-10BCM | 1682130000 | 1758410000 |

* 400 V for black modules

ConCept Modules

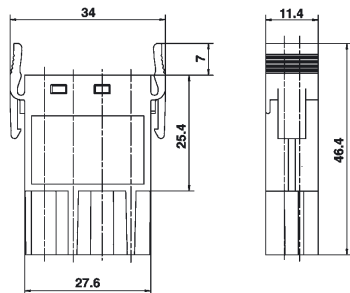
Crimp connection CM-20SCM

20-pole 100 V/4 A



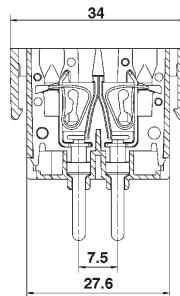
Crimp connection CM-HE 4S GR

4-pole 630 V/25 A



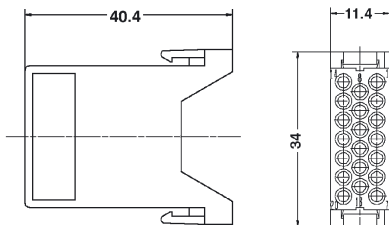
Tension clamp CM-4SZF AG

4-pole 400 V/14 A



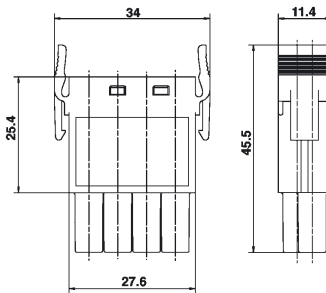
Crimp connection CM-20BCM

20-pole 100 V/4 A



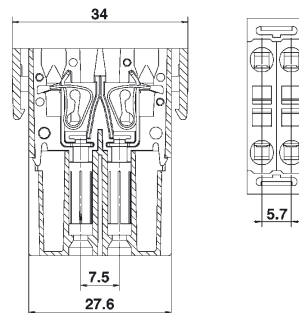
Crimp connection CM-HE 4B GR

4-pole 630 V/25 A



Tension clamp CM-4BZF AG

4-pole 400 V/14 A



For stamped contacts

| Colour | | Black | Grey | |
|---------|--------------|------------|------------|------|
| Version | Type | Cat. No. | Cat. No. | Qty. |
| Male | HDC-CM-20SCM | 1682160000 | 1758420000 | 10 |
| Female | HDC-CM-20BCM | 1682170000 | 1758430000 | 10 |

For turned contacts

| Colour | | Black | Grey | |
|---------|-----------------|------------|----------|------|
| Version | Type | Cat. No. | Cat. No. | Qty. |
| Male | HDC-CM-HE-4S GR | 1758340000 | | 10 |
| Female | HDC-CM-HE-4B GR | 1758350000 | | 10 |

| Colour | | Black | Grey | |
|---------|----------------|------------|----------|------|
| Version | Type | Cat. No. | Cat. No. | Qty. |
| Male | HDC-CM-4SZF AG | 1730120000 | | 10 |
| Female | HDC-CM-4BZF AG | 1730130000 | | 10 |

NEW

ConCept Modules

Screw connection CM-1 SS + PE

1-pole + PE

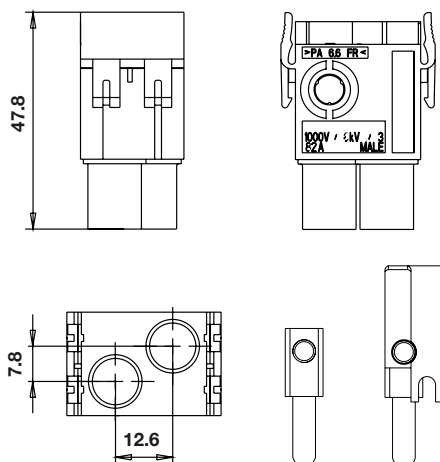
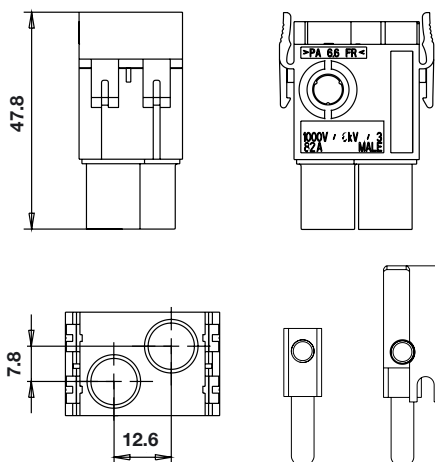
1000 V/82 A



Screw connection CM-2 SS

2-pole

1000 V/82 A



Screw connection CM-1 BS + PE

1-pole + PE

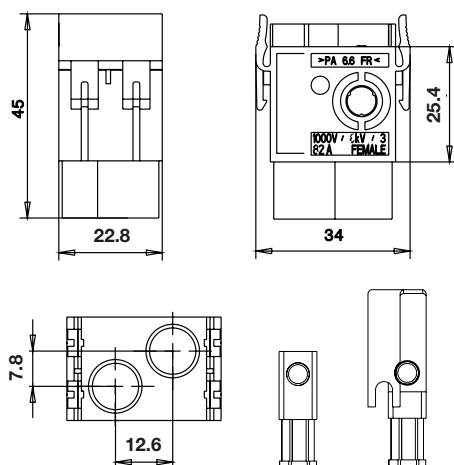
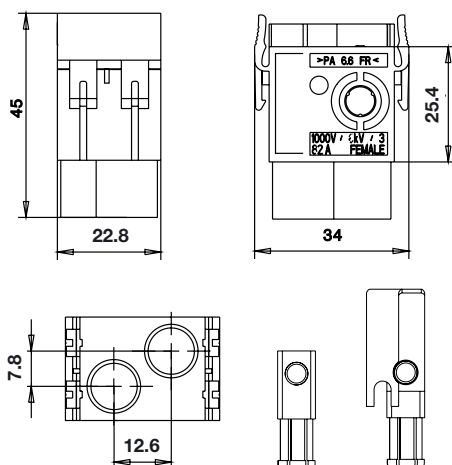
1000 V/82 A



Screw connection CM-2 BS

2-pole

1000 V/82 A

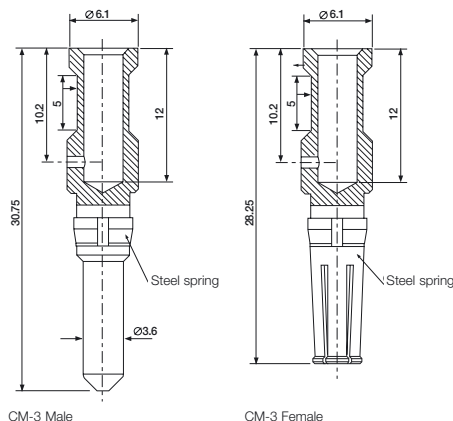


| Colour | | Grey | |
|---------|---------------|------------|------|
| Version | Type | Cat. No. | Qty. |
| Male | HDC-CM 1SS+PE | 1807980000 | 5 |
| Female | HDC-CM 1BS+PE | 1808000000 | 5 |

| Colour | | Grey | |
|---------|------------|------------|------|
| Version | Type | Cat. No. | Qty. |
| Male | HDC-CM 2SS | 1807970000 | 5 |
| Female | HDC-CM 2BS | 1807990000 | 5 |

ConCept / Crimp Contacts

Crimp contacts must be ordered separately. Basis of the turned and stamped contacts is a brass-alloy. Contact platings are available either in gold- or silver-plated versions. Stamped contacts are only available with gold coating. The male and female inserts are optionally available for stamped or turned contacts. Please select required crimp contacts.



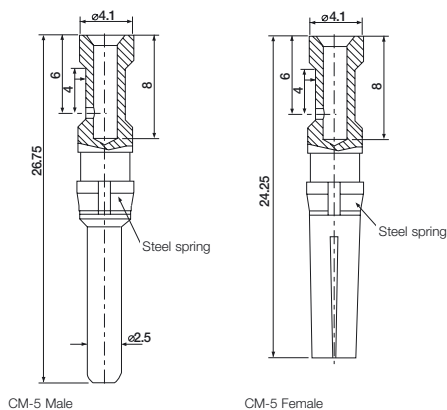
CM-3 Male

CM-3 Female

Turned crimp contacts for module CM-3

Contact diameter of pin \varnothing 3.6 mm

| Cross-section mm ² | AWG | Plating | Version | Type | Cat. No. | Qty. |
|-------------------------------|-----|---------|---------|-------------------|-------------------|------|
| 1.5 | 16 | Ag | Male | HDC-C-M3-SM1.5Ag | 1698120000 | 100 |
| 1.5 | 16 | Ag | Female | HDC-C-M3-BM1.5Ag | 1698130000 | 100 |
| 2.5 | 14 | Ag | Male | HDC-C-M3-SM2.5Ag | 1698140000 | 100 |
| 2.5 | 14 | Ag | Female | HDC-C-M3-BM2.5Ag | 1698150000 | 100 |
| 4.0 | 12 | Ag | Male | HDC-C-M3-SM4.0Ag | 1682260000 | 100 |
| 4.0 | 12 | Ag | Female | HDC-C-M3-BM4.0Ag | 1682270000 | 100 |
| 6.0 | 10 | Ag | Male | HDC-C-M3-SM6.0Ag | 1682280000 | 100 |
| 6.0 | 10 | Ag | Female | HDC-C-M3-BM6.0Ag | 1682290000 | 100 |
| 10.0 | 7 | Ag | Male | HDC-C-M3-SM10.0Ag | 1682300000 | 100 |
| 10.0 | 7 | Ag | Female | HDC-C-M3-BM10.0Ag | 1682310000 | 100 |



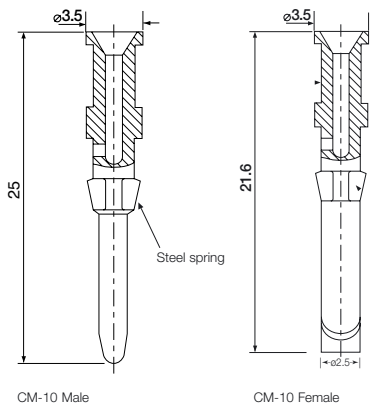
CM-5 Male

CM-5 Female

Turned crimp contacts for module CM-5

Contact diameter of pin \varnothing 2.5 mm

| Cross-section mm ² | AWG | Plating | Version | Type | Cat. No. | Qty. |
|-------------------------------|-----|---------|---------|-----------------------|-------------------|------|
| 0.75-1.0 | 18 | Ag | Male | HDC-C-M5-SM0.75-1.0Ag | 1682340000 | 100 |
| 0.75-1.0 | 18 | Ag | Female | HDC-C-M5-BM0.75-1.0Ag | 1682350000 | 100 |
| 1.5 | 16 | Ag | Male | HDC-C-M5-SM1.5Ag | 1682360000 | 100 |
| 1.5 | 16 | Ag | Female | HDC-C-M5-BM1.5Ag | 1682370000 | 100 |
| 2.5 | 14 | Ag | Male | HDC-C-M5-SM2.5Ag | 1682380000 | 100 |
| 2.5 | 14 | Ag | Female | HDC-C-M5-BM2.5Ag | 1682390000 | 100 |
| 4.0 | 12 | Ag | Male | HDC-C-M5-SM4.0Ag | 1682400000 | 100 |
| 4.0 | 12 | Ag | Female | HDC-C-M5-BM4.0Ag | 1682410000 | 100 |



CM-10 Male

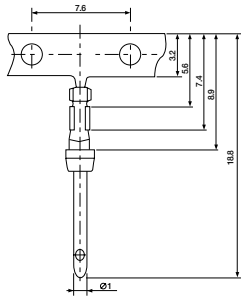
CM-10 Female

Turned crimp contacts for module CM-10

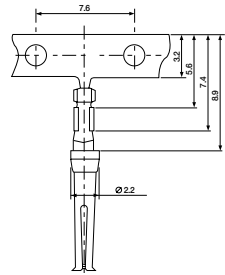
Contact diameter of pin \varnothing 1.6 mm

| Cross-section mm ² | AWG | Plating | Version | Type | Cat. No. | Qty. |
|-------------------------------|---------|---------|---------|------------------------|-------------------|------|
| 0.14 - 0.37 | 26...22 | Au | Male | HDC-C-HD-SM0.14-0.37Au | 1651620000 | 100 |
| | | Au | Female | HDC-C-HD-BM0.14-0.37Au | 1651670000 | 100 |
| | 26...22 | Ag | Male | HDC-C-HD-SM0.14-0.37Ag | 1651520000 | 100 |
| | | Ag | Female | HDC-C-HD-BM0.14-0.37Ag | 1651570000 | 100 |
| 0.5 | 20 | Au | Male | HDC-C-HD-SM0.5Au | 1651630000 | 100 |
| | | Au | Female | HDC-C-HD-BM0.5Au | 1651680000 | 100 |
| | 20 | Ag | Male | HDC-C-HD-SM0.5Ag | 1651530000 | 100 |
| | | Ag | Female | HDC-C-HD-BM0.5Ag | 1651580000 | 100 |
| 0.75 - 1.00 | 18 | Au | Male | HDC-C-HD-SM0.75-1.00Au | 1651640000 | 100 |
| | | Au | Female | HDC-C-HD-BM0.75-1.00Au | 1651690000 | 100 |
| | 18 | Ag | Male | HDC-C-HD-SM0.75-1.00Ag | 1601750000 | 100 |
| | | Ag | Female | HDC-C-HD-BM0.75-1.00Ag | 1601760000 | 100 |
| 1.5 | 16 | Au | Male | HDC-C-HD-SM1.5Au | 1651650000 | 100 |
| | | Au | Female | HDC-C-HD-BM1.5Au | 1651700000 | 100 |
| | 16 | Ag | Male | HDC-C-HD-SM1.5Ag | 1651550000 | 100 |
| | | Ag | Female | HDC-C-HD-BM1.5Ag | 1651600000 | 100 |
| 2.5 | 14 | Au | Male | HDC-C-HD-SM2.5Au | 1651660000 | 100 |
| | | Au | Female | HDC-C-HD-BM2.5Au | 1651710000 | 100 |
| | 14 | Ag | Male | HDC-C-HD-SM2.5Ag | 1651560000 | 100 |
| | | Ag | Female | HDC-C-HD-BM2.5Ag | 1651610000 | 100 |

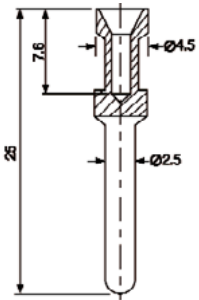
* We recommend the mounting tool HDC-DW-M10, order no. 1688220000, for securing contacts into the insert. The contact is safely positioned in the insert when it audibly clicks into place.



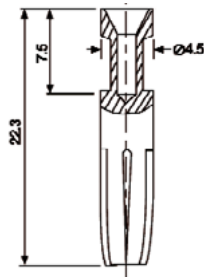
CM-20 Male



CM-20 Female



CM-HE Male



CM-HE Female

Stamped crimp contacts for module CM-20

Contact diameter of pin Ø 1 mm

| Cross-section mm ² | AWG | Plating | Version | Type | Cat. No. | Qty. ¹⁾ |
|-------------------------------|---------|---------|---------|-------------------------|-------------------|--------------------|
| 0.08-0.2 | 28...24 | Au | Male | HDC-C-M20-SCG0.08-0.2Au | 1682420000 | 300 |
| | 28...24 | Au | Female | HDC-C-M20-BCG0.08-0.2Au | 1682430000 | 300 |
| 0.2-0.52 | 24...20 | Au | Male | HDC-C-M20-SCG0.2-0.52Au | 1682440000 | 300 |
| | 24...20 | Au | Female | HDC-C-M20-BCG0.2-0.52Au | 1682450000 | 300 |

1) Bandoiler contacts wrapped on reel

Turned crimp contacts for module CM-HE

Contact diameter of pin Ø 1 mm

| Cross-section mm ² | AWG | Plating | Version | Type | Cat. No. | Qty. |
|-------------------------------|-----|---------|---------|------------------------|-------------------|------|
| 0.5 | 20 | Au | Male | HDC-C-HE-SM0.5Au | 1651420000 | 100 |
| | 20 | Ag | Male | HDC-C-HE-SM0.5Ag | 1200500000 | 100 |
| 0.5 | 20 | Au | Female | HDC-C-HE-BM0.5Au | 1651470000 | 100 |
| | 20 | Ag | Female | HDC-C-HE-BM0.5Ag | 1201100000 | 100 |
| 0.75 - 1.00 | 18 | Au | Male | HDC-C-HE-SM0.75-1.00Au | 1651430000 | 100 |
| | 18 | Ag | Male | HDC-C-HE-SM0.75-1.00Ag | 1200600000 | 100 |
| 0.75 - 1.00 | 18 | Au | Female | HDC-C-HE-BM0.75-1.00Au | 1651480000 | 100 |
| | 18 | Ag | Female | HDC-C-HE-BM0.75-1.00Ag | 1201200000 | 100 |
| 1.5 | 16 | Au | Male | HDC-C-HE-SM1.5Au | 1651440000 | 100 |
| | 16 | Ag | Male | HDC-C-HE-SM1.5Ag | 1200700000 | 100 |
| 1.5 | 16 | Au | Female | HDC-C-HE-BM1.5Au | 1651490000 | 100 |
| | 16 | Ag | Female | HDC-C-HE-BM1.5Ag | 1201300000 | 100 |
| 2.5 | 14 | Au | Male | HDC-C-HE-SM2.5Au | 1651450000 | 100 |
| | 14 | Ag | Male | HDC-C-HE-SM2.5Ag | 1200800000 | 100 |
| 2.5 | 14 | Au | Female | HDC-C-HE-BM2.5Au | 1651500000 | 100 |
| | 14 | Ag | Female | HDC-C-HE-BM2.5Ag | 1201400000 | 100 |
| 4.0 | 12 | Au | Male | HDC-C-HE-SM4.0Au | 1651460000 | 100 |
| | 12 | Ag | Male | HDC-C-HE-SM4.0Ag | 1200900000 | 100 |
| 4.0 | 12 | Au | Female | HDC-C-HE-BM4.0Au | 1651510000 | 100 |
| | 12 | Ag | Female | HDC-C-HE-BM4.0Ag | 1201500000 | 100 |

ConCept / Accessories

Crimping tools

Special type for HE male and female contact

CZB 1



| Type | Description | Cat. No. | Qty. |
|--------------|---|-------------------|------|
| CZB 1 | crimping tool for 1.5...4.0 mm ² conductor cross-section | 9012710000 | 1 |

| | | | |
|--|--|--|--|
| | | | |
| | | | |
| | | | |
| | | | |
| | | | |
| | | | |
| | | | |
| | | | |
| | | | |
| | | | |

Preferred type for turned HE, HD and HDD contacts and ConCept contacts

CTX CM



HDC-CM 20



| Type | Description | Cat. No. | Qty. |
|-------------------|--|-------------------|------|
| CTX CM 3.6 | crimping tool for Ø 3.6 mm contacts with 4.0...10.0 mm ² conductor cross-section of ConCept module CM-3 | 9018480000 | 1 |

| | | | |
|--|--|--|--|
| | | | |
|--|--|--|--|

| | | | |
|-----------------------|---|-------------------|---|
| CTX CM 1.6/2.5 | crimping tool for Ø 1.6 mm/Ø 2.5 mm contacts with 0.14...2.5 mm ² conductor cross-section, of turned HE-, turned HD-, HDD and ConCept contacts | 9018490000 | 1 |
|-----------------------|---|-------------------|---|

| | | | |
|-----------------|---|-------------------|---|
| HDC-CM-3 | crimping tool for 1.5...10 mm ² conductor cross-section of ConCept module CM-3 | 1700890000 | 1 |
|-----------------|---|-------------------|---|

| | | | |
|------------------|--|-------------------|---|
| HDC-CM-20 | crimping tool for Ø 1.0 mm D-Sub contacts with 0.08...0.52 mm ² conductor cross-section of ConCept module CM-20 | 1700900000 | 1 |
|------------------|--|-------------------|---|

Screwdriver

SD



| Type | Description | Cat. No. | Qty. |
|-----------|------------------------------------|-------------------|------|
| SD | 0.6 x 3.5 x 100 for slotted screws | 9008330000 | 1 |

| | | | |
|--|--|--|--|
| | | | |
| | | | |
| | | | |
| | | | |
| | | | |
| | | | |
| | | | |
| | | | |
| | | | |
| | | | |

Contact removal tool³⁾

for ConCept contacts

HDC-DW

M3/M5

M10

M20

M4



| Type | Description | Cat. No. | Qty. |
|------------------|------------------------------|-------------------|------|
| HDC-DW-M3 | for ConCept modules HDC-CM-3 | 1688240000 | 1 |

| | | | |
|------------------|----------|-------------------|---|
| HDC-DW-M5 | HDC-CM-5 | 1688230000 | 1 |
|------------------|----------|-------------------|---|

| | | | |
|--------------------------------|-----------|-------------------|---|
| HDC-DW-M10¹⁾ | HDC-CM-10 | 1688220000 | 1 |
|--------------------------------|-----------|-------------------|---|

| | | | |
|-------------------|-----------|-------------------|---|
| HDC-DW-M20 | HDC-CM-20 | 1688210000 | 1 |
|-------------------|-----------|-------------------|---|

| | | | |
|-------------------------------|-----------|-------------------|---|
| HDC-DW-M4²⁾ | HDC-CM-HE | 1760170000 | 1 |
|-------------------------------|-----------|-------------------|---|

| | | | |
|--|--|--|--|
| | | | |
| | | | |
| | | | |
| | | | |
| | | | |
| | | | |
| | | | |
| | | | |
| | | | |
| | | | |

¹⁾ Tool for removal of turned HD contacts

²⁾ Tool for removal of HE contacts

³⁾ Please do not loosen the contact more than 3 times

Module removal tool

for ConCept modules

HDC-DW-MOD



| Type | Description | Cat. No. | Qty. |
|--------------------------------|---------------------|-------------------|------|
| HDC-DW-MOD⁴⁾ | Module removal tool | 1688200000 | 1 |

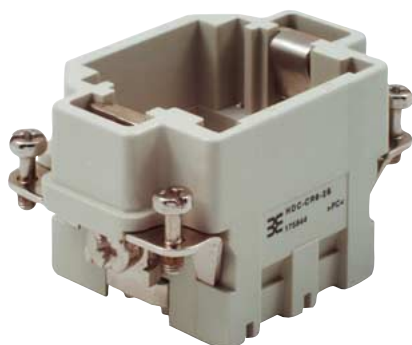
| | | | |
|--|--|--|--|
| | | | |
| | | | |
| | | | |
| | | | |
| | | | |
| | | | |
| | | | |
| | | | |
| | | | |
| | | | |

⁴⁾ Tool for removal of ConCept modules from frames.

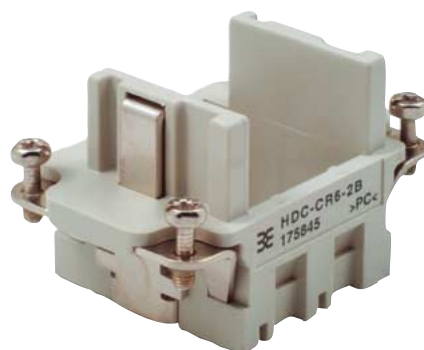
Not necessary for HE modules.

Frames Group Size 3

Frames CR 6 / 2 modules

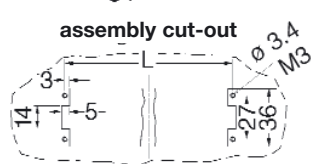
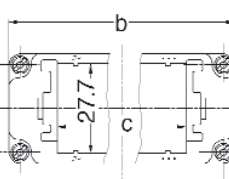
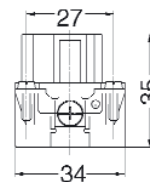
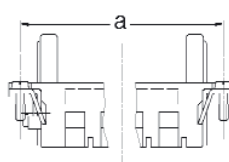
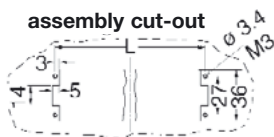
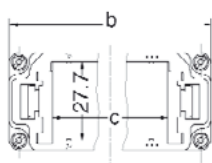
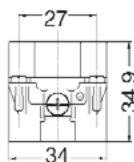


Male frame



Female frame

Dimensions



| Colour | | Black | Grey | | | | | | | | |
|---------|------------|------------|------------|------|--------|--------|--------|--------|---------------|------------|--|
| Version | Type | Cat. No. | Cat. No. | Qty. | a (mm) | b (mm) | c (mm) | L (mm) | Remarks | Group size | |
| Male | HDC-CR6-2S | 1682180000 | 1758440000 | 5 | 44 | 51 | 23 | 44 | for 2 modules | 3 | |
| Female | HDC-CR6-2B | 1682190000 | 1758450000 | 5 | 44 | 51 | 23 | 44 | for 2 modules | 3 | |

For accessories see section "Accessories"

Housings Group Size 3

Plug hood HB-6

End locking lower side



TOVL

Plug hood HBD-16

End locking lower side / high version



TOVL

Base housing HB-6

End locking, with/without cover

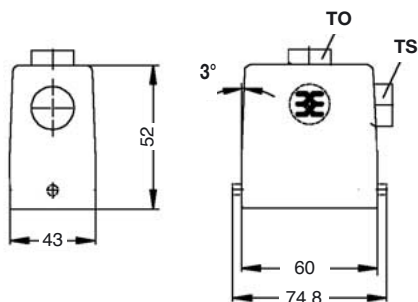


SVL

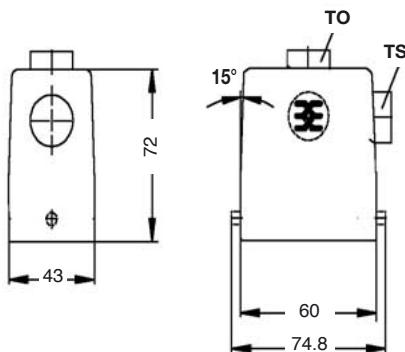


SDVL

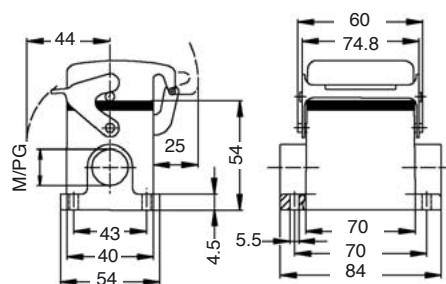
Dimensions



Dimensions



Dimensions



| Version | Type | Cat. No. | Qty. |
|---|---------------------|------------|------|
| Standard housings, metric thread | | | |
| 1 x M 20 thread | HDC HB6 TOVL 1xM20G | 1788120000 | 5 |
| 1 x M 25 thread | HDC HB6 TOVL 1xM25G | 1788110000 | 5 |
| 1 x M 20 thread | HDC HB6 TSVL 1xM20G | 1805930000 | 5 |
| 1 x M 20 sleeve | HDC HB6 TSVL 1xM20 | 1788100000 | 5 |
| 1 x M 25 sleeve | HDC HB6 TSVL 1xM25 | 1788090000 | 5 |
| Standard housings, PG thread | | | |
| 1 x Pg13 complete | HDC-HB-6-TOVL1/13P | 1201800000 | 5 |
| 1 x Pg13 sleeve | HDC-HB-6-TOVL1/13 | 1670500000 | 5 |
| 1 x Pg16 complete | HDC-HB-6-TOVL1/16P | 1652630000 | 5 |
| 1 x Pg16 sleeve | HDC-HB-6-TOVL1/16 | 1652640000 | 5 |
| 1 x Pg13 complete | HDC-HB-6-TSVL1/13P | 1201900000 | 5 |
| 1 x Pg13 sleeve | HDC-HB-6-TSVL1/13 | 1670530000 | 5 |
| 1 x Pg16 complete | HDC-HB-6-TSVL1/16P | 1652510000 | 5 |
| 1 x Pg16 sleeve | HDC-HB-6-TSVL1/16 | 1652520000 | 5 |

| Version | Type | Cat. No. | Qty. |
|---|-----------------------|------------|------|
| Standard housings, metric thread | | | |
| 1 x M 25 thread | HDC HBD16 TOVL 1xM25G | 1787500000 | 5 |
| 1 x M 32 thread | HDC HBD16 TOVL 1xM32G | 1787490000 | 5 |
| 1 x M 25 thread | HDC HBD16 TSVL 1xM25G | 1787480000 | 5 |
| 1 x M 32 thread | HDC HBD16 TSVL 1xM32G | 1787470000 | 5 |
| Standard housings, PG thread | | | |
| 1 x Pg21 complete | HDC-HBD-16-TOVL1/21P | 1652670000 | 5 |
| 1 x Pg21 sleeve | HDC-HBD-16-TOVL1/21 | 1652680000 | 5 |
| 1 x Pg29 complete | HDC-HBD-16-TOVL1/29P | 1652690000 | 5 |
| 1 x Pg29 sleeve | HDC-HBD-16-TOVL1/29 | 1652700000 | 5 |
| 1 x Pg21 complete | HDC-HBD-16-TSVL1/21P | 1652550000 | 5 |
| 1 x Pg21 sleeve | HDC-HBD-16-TSVL1/21 | 1652560000 | 5 |
| 1 x Pg29 complete | HDC-HBD-16-TSVL1/29P | 1652570000 | 5 |
| 1 x Pg29 sleeve | HDC-HBD-16-TSVL1/29 | 1652580000 | 5 |

| Version | Type | Cat. No. | Qty. |
|--|---------------------|------------|------|
| Standard housings, metric thread | | | |
| 2 x M 20 thread | HDC HB6 SVL 2xM20G | 1788140000 | 5 |
| 2 x M 25 thread | HDC HB6 SVL 2xM25G | 1788130000 | 5 |
| Standard housings with cover, metric thread | | | |
| 2 x M 20 thread | HDC HB6 SDVL 2xM20G | 1788170000 | 2 |
| 2 x M 25 thread | HDC HB6 SDVL 2xM25G | 1788160000 | 2 |
| Standard housings, PG thread | | | |
| 1 x Pg16 complete | HDC-HB-6-SVL1/16P | 1202200000 | 5 |
| 1 x Pg16 sleeve | HDC-HB-6-SVL1/16 | 1652750000 | 5 |
| 2 x Pg16 complete | HDC-HB-6-SVL2/16P | 1202300000 | 5 |
| 2 x Pg16 sleeve | HDC-HB-6-SVL2/16 | 1652760000 | 5 |
| Standard housings with cover, PG thread | | | |
| 1 x Pg16 complete | HDC-HB-6-SDVL1/16P | 1202600000 | 2 |
| 1 x Pg16 sleeve | HDC-HB-6-SDVL1/16 | 1652980000 | 2 |
| 2 x Pg16 complete | HDC-HB-6-SDVL2/16P | 1202700000 | 2 |
| 2 x Pg16 sleeve | HDC-HB-6-SDVL2/16 | 1652990000 | 2 |

TOVL = Plug hood; Top cable entry, end locking
 TSVL = Plug hood; Side cable entry, end locking

TOVL = Plug hood; Top cable entry, end locking
 TSVL = Plug hood; Side cable entry, end locking

SVL = Base housing, end locking
 SDVL = Base housing with cover, end locking

For accessories see section "Accessories"

Housings Group Size 3

Base housing HBD-16

End locking, with/without cover, high version

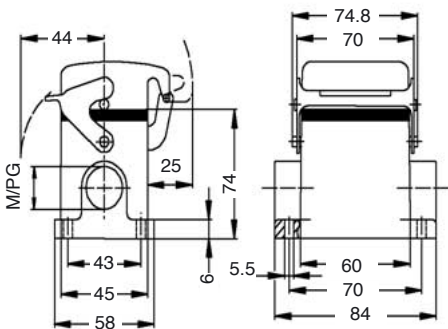


SVL



SDVL

Dimensions



| Version | Type | Cat. No. | Qty. |
|---|----------------------|------------|------|
| Standard housings, metric thread | | | |
| 1 x M 20 sleeve | HDC HB10 TSVU 1xM20 | 1787560000 | 5 |
| 1 x M 25 sleeve | HDC HB10 TSVU 1xM25 | 1787550000 | 5 |
| 1 x M 20 thread | HDC HB10 TOVU 1xM20G | 1787600000 | 5 |
| 1 x M 25 thread | HDC HB10 TOVU 1xM25G | 1787590000 | 5 |
| Standard housings, PG thread | | | |
| 1 x Pg16 complete | HDC-HB-10-TSVU1/16P | 1204800000 | 5 |
| 1 x Pg16 sleeve | HDC-HB-10-TSVU1/16 | 1654070000 | 5 |
| 1 x Pg21 complete | HDC-HB-10-TSVU1/21P | 1654080000 | 5 |
| 1 x Pg21 sleeve | HDC-HB-10-TSVU1/21 | 1654090000 | 5 |
| 1 x Pg16 complete | HDC-HB-10-TOVU1/16P | 1204700000 | 5 |
| 1 x Pg16 sleeve | HDC-HB-10-TOVU1/16 | 1654220000 | 5 |
| 1 x Pg21 complete | HDC-HB-10-TOVU1/21P | 1654230000 | 5 |
| 1 x Pg21 sleeve | HDC-HB-10-TOVU1/21 | 1654240000 | 5 |

TSVU = Plug hood; Side cable entry, side locking lower side

TOVU = Plug hood; Top cable entry, side locking lower side

For accessories see section "Accessories"

Coupling hood HB-6 / HBD-16

End locking

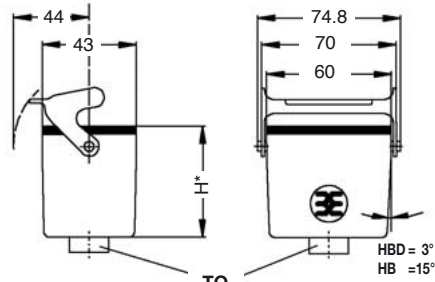


KVL



KVL

Dimensions



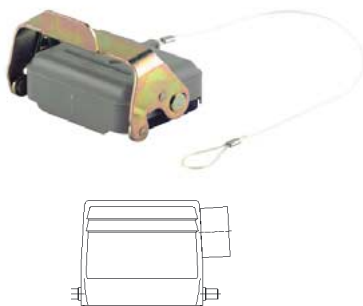
*HB = 54.8
HBD = 74.8

| Version | Type | Cat. No. | Qty. |
|-------------------------------------|---------------------|------------|------|
| Standard housings, PG thread | | | |
| 1 x Pg16 complete | HDC-HB-6-KVL1/16P | 1202400000 | 5 |
| 1 x Pg16 sleeve | HDC-HB-6-KVL1/16 | 1653200000 | 5 |
| 1 x Pg21 complete | HDC-HBD-16-KVL1/21P | 1653230000 | 5 |

KVL = Coupling hood, end locking

Cover for plug hood

Cover with cord



| Type | Cat. No. | Qty. |
|----------------------|------------|------|
| Plastic cover | | |
| HDC-HB-6-DT | 1665210000 | 2 |

Bulkhead housing HB-6

End locking, with/without cover

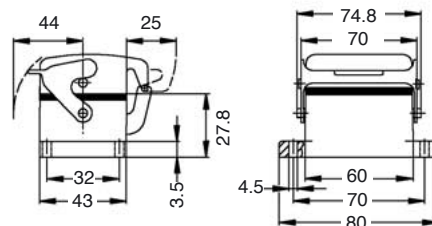


AVL



ADVL

Dimensions



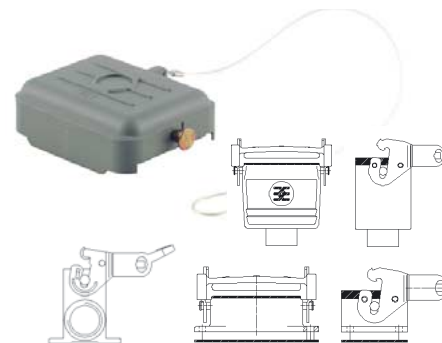
| Version | Type | Cat. No. | Qty. |
|-------------------------------------|---------------|------------|------|
| Standard housings | | | |
| | HDC-HB-6-AVL | 1202100000 | 5 |
| Standard housings with cover | | | |
| | HDC-HB-6-ADVL | 1202500000 | 5 |

AVL = Bulkhead housing, end locking

ADVL = Bulkhead housing with cover, end locking

Cover for lower side with end locking

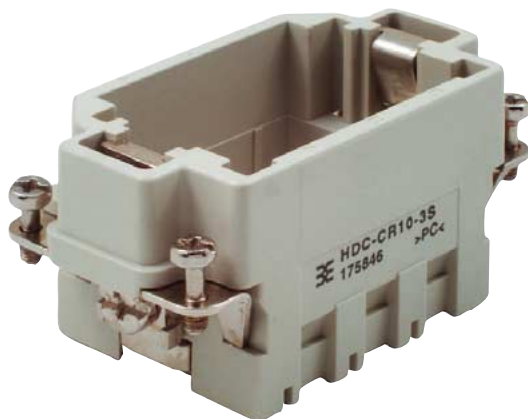
Cover with cord



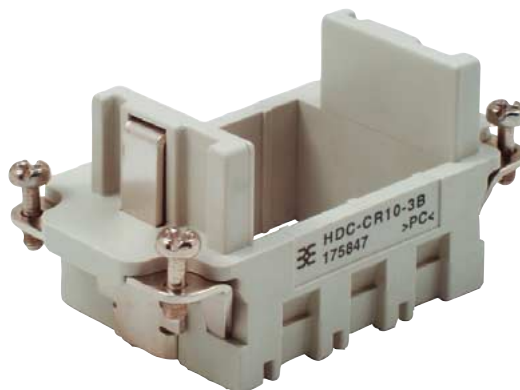
| Type | Cat. No. | Qty. |
|----------------------|------------|------|
| Plastic cover | | |
| HDC-HB-6-DB | 1665200000 | 5 |

Frames Group Size 4

Frames CR 10 / 3 modules

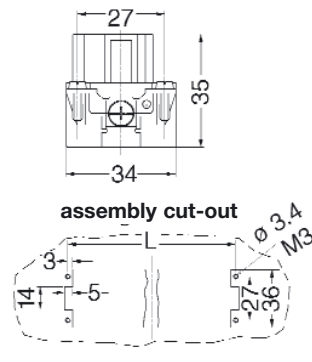
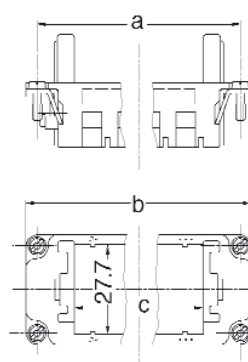
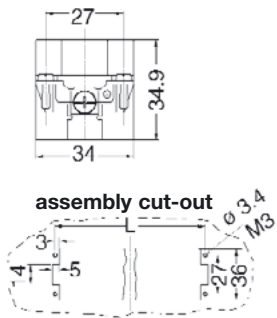
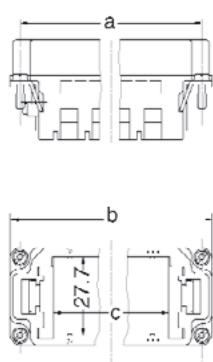


Male frame



Female frame

Dimensions



| Colour | | Black | Grey | | a (mm) | b (mm) | c (mm) | L (mm) | Remarks | Group size |
|---------|-------------|------------|------------|------|--------|--------|--------|--------|---------------|------------|
| Version | Type | Cat. No. | Cat. No. | Qty. | | | | | | |
| Male | HDC-CR10-3S | 1682200000 | 1758460000 | 5 | 57 | 64 | 34.5 | 57 | for 3 modules | 4 |
| Female | HDC-CR10-3B | 1682210000 | 1758470000 | 5 | 57 | 64 | 34.5 | 57 | for 3 modules | 4 |

For accessories see section "Accessories"

Housings Group Size 4

Plug hood HB-10

Side locking lower side

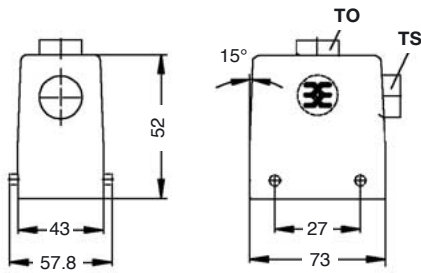


TOVU



TSVU

Dimensions



| Version | Type | Cat. No. | Qty. |
|---|----------------------|------------|------|
| Standard housings, metric thread | | | |
| 1 x M 20 thread | HDC HB10 TSVU 1xM20G | 1787560000 | 5 |
| 1 x M 25 thread | HDC HB10 TSVU 1xM25G | 1787550000 | 5 |
| 1 x M 20 thread | HDC HB10 TOVU 1xM20G | 1787600000 | 5 |
| 1 x M 25 thread | HDC HB10 TOVU 1xM25G | 1787590000 | 5 |
| Standard housings, PG thread | | | |
| 1 x Pg16 complete | HDC-HB-10-TSVU1/16P | 1204800000 | 5 |
| 1 x Pg16 sleeve | HDC-HB-10-TSVU1/16 | 1654070000 | 5 |
| 1 x Pg21 complete | HDC-HB-10-TSVU1/21P | 1654080000 | 5 |
| 1 x Pg21 sleeve | HDC-HB-10-TSVU1/21 | 1654090000 | 5 |
| 1 x Pg16 complete | HDC-HB-10-TOVU1/16P | 1204700000 | 5 |
| 1 x Pg16 sleeve | HDC-HB-10-TOVU1/16 | 1654220000 | 5 |
| 1 x Pg21 complete | HDC-HB-10-TOVU1/21P | 1654230000 | 5 |
| 1 x Pg21 sleeve | HDC-HB-10-TOVU1/21 | 1654240000 | 5 |

TSVU = Plug hood; Side cable entry, side locking lower side
TOVU = Plug hood; Top cable entry, side locking lower side

Plug hood HBD-24

Side locking lower side / high version

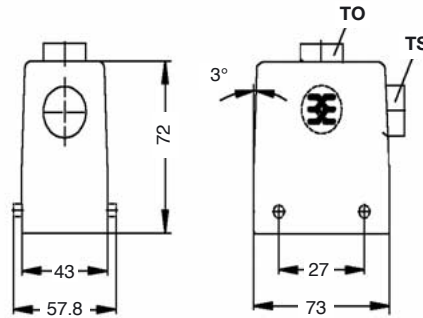


TOVU



TSVU

Dimensions



| Version | Type | Cat. No. | Qty. |
|---|-----------------------|------------|------|
| Standard housings, metric thread | | | |
| 1 x M 25 thread | HDC HBD24 TSVU 1xM25G | 1787240000 | 5 |
| 1 x M 32 thread | HDC HBD24 TSVU 1xM32G | 1787230000 | 5 |
| 1 x M 25 thread | HDC HBD24 TOVU 1xM25G | 1787300000 | 5 |
| 1 x M 32 thread | HDC HBD24 TOVU 1xM32G | 1787290000 | 5 |
| Standard housings, PG thread | | | |
| 1 x Pg21 complete | HDC-HBD-24-TSVU1/21P | 1654140000 | 5 |
| 1 x Pg21 sleeve | HDC-HBD-24-TSVU1/21 | 1654150000 | 5 |
| 1 x Pg29 complete | HDC-HBD-24-TSVU1/29P | 1654160000 | 5 |
| 1 x Pg29 sleeve | HDC-HBD-24-TSVU1/29 | 1654170000 | 5 |
| 1 x Pg21 complete | HDC-HBD-24-TOVU1/21P | 1654290000 | 5 |
| 1 x Pg29 complete | HDC-HBD-24-TOVU1/29P | 1654310000 | 5 |

TSVU = Plug hood; Side cable entry, side locking lower side
TOVU = Plug hood; Top cable entry, side locking lower side

Base housing HB-10 / HBD-24

Side locking

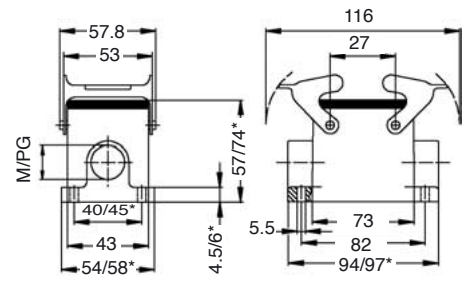


SVU



SVU

Dimensions



*HB/HBD

| Version | Type | Cat. No. | Qty. |
|---|----------------------|------------|------|
| Standard housings, metric thread | | | |
| 1 x M 20 thread | HDC HB10 SVU 2xM20G | 1787640000 | 2 |
| 1 x M 25 thread | HDC HB10 SVU 2xM25G | 1787630000 | 2 |
| 2 x M 25 thread | HDC HBD24 SVU 2xM25G | 1787350000 | 2 |
| 2 x M 32 thread | HDC HBD24 SVU 2xM32G | 1787360000 | 2 |
| Standard housings, PG thread | | | |
| 1 x Pg16 complete | HDC-HB-10-SVU1/16P | 1205100000 | 2 |
| 1 x Pg16 sleeve | HDC-HB-10-SVU1/16 | 1654370000 | 2 |
| 2 x Pg16 complete | HDC-HB-10-SVU2/16P | 1205200000 | 2 |
| 2 x Pg16 sleeve | HDC-HB-10-SVU2/16 | 1654380000 | 2 |
| 1 x Pg21 complete | HDC-HBD-24-SVU1/21P | 1654420000 | 2 |
| 1 x Pg21 sleeve | HDC-HBD-24-SVU1/21 | 1654430000 | 2 |
| 1 x Pg29 sleeve | HDC-HBD-24-SVU1/29 | 1654470000 | 2 |
| 2 x Pg21 complete | HDC-HBD-24-SVU2/21P | 1654440000 | 2 |
| 2 x Pg21 sleeve | HDC-HBD-24-SVU2/21 | 1654450000 | 2 |
| 2 x Pg29 complete | HDC-HBD-24-SVU2/29P | 1654480000 | 2 |

SVU = Base housing, side locking

For accessories see section "Accessories"

Housings Group Size 4

Coupling hood HB-10 / HBD 24

Side locking

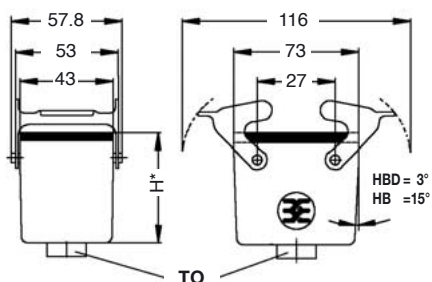


KVV



KVV

Dimensions



*HB = 54.8
HBD = 74.8

| Version | Type | Cat. No. | Qty. |
|---|----------------------|------------|------|
| Standard housings, metric thread | | | |
| 1 x M 20 thread | HDC HB10 KVV 1xM20G | 1787720000 | 5 |
| 1 x M 25 thread | HDC HB10 KVV 1xM25G | 1787710000 | 5 |
| 1 x M 25 thread | HDC HBD24 KVV 1xM25G | 1787440000 | 2 |
| 1 x M 32 thread | HDC HBD24 KVV 1xM32G | 1787430000 | 2 |
| Standard housings, PG thread | | | |
| 1 x Pg16 complete | HDC-HB-10-KVV1/16P | 1205300000 | 5 |
| 1 x Pg16 sleeve | HDC-HB-10-KVV1/16 | 1654580000 | 5 |
| 1 x Pg21 complete | HDC-HB-10-KVV1/21P | 1654590000 | 5 |
| 1 x Pg21 complete | HDC-HBD-24-KVV1/21P | 1654650000 | 2 |
| 1 x Pg29 complete | HDC-HBD-24-KVV1/29P | 1654670000 | 2 |

KVV = Coupling hood, side locking

Cover for plug hood

Cover with cord



| Type | Cat. No. | Qty. |
|----------------------|------------|------|
| Plastic cover | | |
| HDC-HB-10-DT | 1665240000 | 2 |

For accessories see section "Accessories"

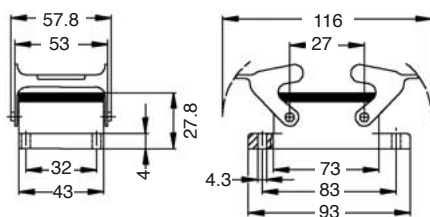
Bulkhead housing HB-10

Side locking



AVU

Dimensions

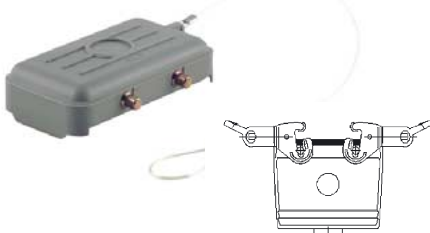


| Version | Type | Cat. No. | Qty. |
|--------------------------|---------------|------------|------|
| Standard housings | | | |
| | HDC-HB-10-AVU | 1205000000 | 5 |

AVU = Bulkhead housing, side locking

Cover for lower side with side locking

Cover with cord



| Type | Cat. No. | Qty. |
|----------------------|------------|------|
| Plastic cover | | |
| HDC-HB-10-DB | 1665230000 | 5 |

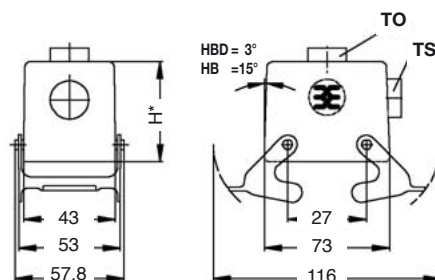
Plug hood HB-10 / HBD-24

Side locking



TSVO

Dimensions



*HB = 52
HBD = 72

| Version | Type | Cat. No. | Qty. |
|---|-----------------------|------------|------|
| Standard housings, metric thread | | | |
| 1 x M 25 sleeve | HDC HB10 TSVO 1xM25 | 1787570000 | 5 |
| 1 x M 25 thread | HDC HB10 TOVO 1xM25G | 1787610000 | 5 |
| 1 x M 25 thread | HDC HBD24 TSVO 1xM25G | 1787260000 | 2 |
| 1 x M 32 thread | HDC HBD24 TSVO 1xM32G | 1787250000 | 2 |
| 1 x M 25 thread | HDC HBD24 TOVO 1xM25G | 1787320000 | 2 |
| 1 x M 32 thread | HDC HBD24 TOVO 1xM32G | 1787310000 | 2 |
| Standard housings, PG thread | | | |
| 1 x Pg16 complete | HDC-HB-10-TSVO1/16P | 1205500000 | 5 |
| 1 x Pg16 sleeve | HDC-HB-10-TSVO1/16 | 1654750000 | 5 |
| 1 x Pg16 complete | HDC-HB-10-TOVO1/16P | 1205400000 | 5 |
| 1 x Pg16 sleeve | HDC-HB-10-TOVO1/16 | 1654860000 | 5 |
| 1 x Pg21 sleeve | HDC-HBD-24-TSVO1/21 | 1654790000 | 2 |
| 1 x Pg29 complete | HDC-HBD-24-TSVO1/29P | 1654800000 | 2 |
| 1 x Pg29 sleeve | HDC-HBD-24-TSVO1/29 | 1654810000 | 2 |
| 1 x Pg21 complete | HDC-HBD-24-TOVO1/21P | 1654890000 | 2 |
| 1 x Pg29 complete | HDC-HBD-24-TOVO1/29P | 1654910000 | 2 |
| 1 x Pg29 sleeve | HDC-HBD-24-TOVO1/29 | 1654920000 | 2 |

TSVO = Plug hood; Side cable entry, side locking
TOVO = Plug hood; Top cable entry, side locking

Housings Group Size 4

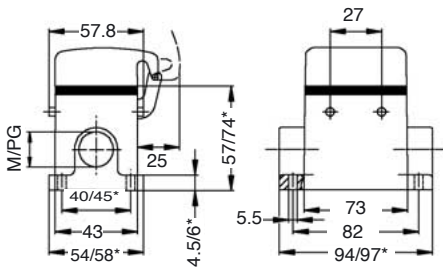
Base housing HB-10 / HBD-24

Side locking upper side



SDVO

Dimensions



*HB/HBD

| Version | Type | Cat. No. | Qty. |
|--|-----------------------|------------|------|
| Standard housings with cover, metric thread | | | |
| 1 x M 20 thread | HDC HB10 SDVO 2xM20G | 1787680000 | 2 |
| 1 x M 25 thread | HDC HB10 SDVO 2xM25G | 1787670000 | 2 |
| 1 x M 25 thread | HDC HBD24 SDVO 2xM25G | 1787400000 | 1 |
| 1 x M 32 thread | HDC HBD24 SDVO 2xM32G | 1787390000 | 1 |
| Standard housings with cover, PG thread | | | |
| 1 x Pg16 complete | HDC-HB-10-SDVO1/16P | 1205700000 | 2 |
| 1 x Pg16 sleeve | HDC-HB-10-SDVO1/16 | 1654990000 | 2 |
| 2 x Pg16 complete | HDC-HB-10-SDVO2/16P | 1205800000 | 2 |
| 2 x Pg16 sleeve | HDC-HB-10-SDVO2/16 | 1655000000 | 2 |
| 1 x Pg21 complete | HDC-HBD-24-SDVO1/21P | 1655050000 | 1 |
| 1 x Pg29 complete | HDC-HBD-24-SDVO1/29P | 1655090000 | 1 |
| 2 x Pg29 complete | HDC-HBD-24-SDVO2/29P | 1655110000 | 1 |

SDVO = Base housing with cover, side locking upper side

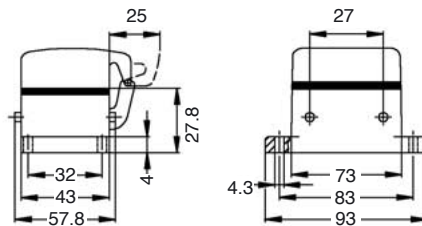
Bulkhead housing HB-10

With cover / side locking upper side



ADVO

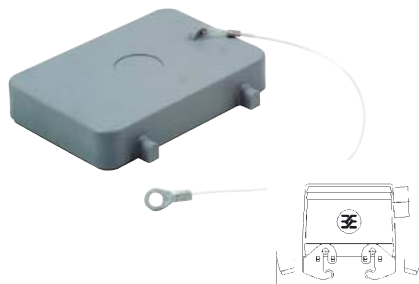
Dimensions



| Version | Type | Cat. No. | Qty. |
|--|----------------|------------|------|
| Standard housings with cover | | | |
| | HDC-HB-10-ADVO | 1205600000 | 5 |
| ADVO = Bulkhead housing with cover, Side locking upper side | | | |

Cover for plug hood with side locking

Cover with cord



| Type | Cat. No. | Qty. |
|----------------------|------------|------|
| Plastic cover | | |
| HDC-HB-10-DBP | 1665250000 | 5 |

Plug hood HB-10 / HBD-24

End locking lower side

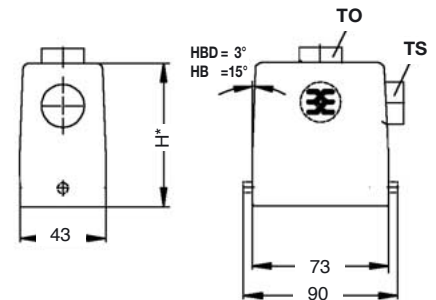


TOVL



TOVL

Dimensions



*HB = 52
HBD = 72

| Version | Type | Cat. No. | Qty. |
|---|-----------------------|------------|------|
| Standard housings, metric thread | | | |
| 1 x M 25 sleeve | HDC HB10 TSVL 1xM25 | 1787580000 | 5 |
| 1 x M 25 thread | HDC HB10 TOVL 1xM25G | 1787620000 | 5 |
| 1 x M 25 thread | HDC HBD24 TSVL 1xM25G | 1787280000 | 2 |
| 1 x M 32 thread | HDC HBD24 TSVL 1xM32G | 1787270000 | 2 |
| 1 x M 25 thread | HDC HBD24 TOVL 1xM25G | 1787340000 | 2 |
| 1 x M 32 thread | HDC HBD24 TOVL 1xM32G | 1787330000 | 2 |
| Standard housings, PG thread | | | |
| 1 x Pg16 complete | HDC-HB-10-TSVL1/16P | 1206000000 | 5 |
| 1 x Pg16 sleeve | HDC-HB-10-TSVL1/16 | 1655210000 | 5 |
| 1 x Pg16 complete | HDC-HB-10-TOVL1/16P | 1205900000 | 5 |
| 1 x Pg16 sleeve | HDC-HB-10-TOVL1/16 | 1655320000 | 5 |
| 1 x Pg21 complete | HDC-HBD-24-TSVL1/21P | 1655240000 | 2 |
| 1 x Pg21 sleeve | HDC-HBD-24-TSVL1/21 | 1655250000 | 2 |
| 1 x Pg29 complete | HDC-HBD-24-TSVL1/29P | 1655260000 | 2 |
| 1 x Pg29 sleeve | HDC-HBD-24-TSVL1/29 | 1655270000 | 2 |
| 1 x Pg21 complete | HDC-HBD-24-TOVL1/21P | 1655350000 | 2 |
| 1 x Pg21 sleeve | HDC-HBD-24-TOVL1/21 | 1655360000 | 2 |
| 1 x Pg29 complete | HDC-HBD-24-TOVL1/29P | 1655370000 | 2 |
| 1 x Pg29 sleeve | HDC-HBD-24-TOVL1/29 | 1655380000 | 2 |

TSVL = Plug hood; Side cable entry, end locking

TOVL = Plug hood; Top cable entry, end locking

For accessories see section "Accessories"

Housings Group Size 4

Base housing HB-10 / HBD-24

End locking, with/without cover



SVL



SDVL

Coupling hood HB-10 / HBD-24

End locking



KVL



KVL

Bulkhead housing HB-10

End locking, with/without cover

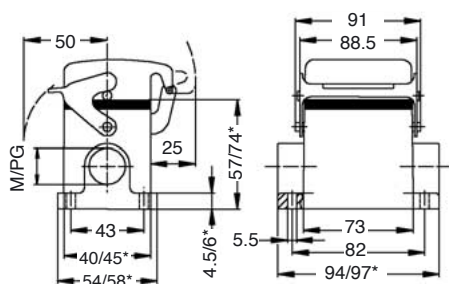


AVL



ADVL

Dimensions



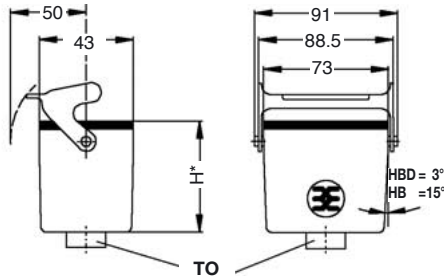
*HB/HBG

| Version | Type | Cat. No. | Qty. |
|--|-----------------------|------------|------|
| Standard housings, metric thread | | | |
| 2 x M 20 thread | HDC HB10 SVL 2xM20G | 1787660000 | 2 |
| 2 x M 25 thread | HDC HB10 SVL 2xM25G | 1787650000 | 2 |
| 2 x M 25 thread | HDC HBD24 SVL 2xM25G | 1787380000 | 2 |
| 2 x M 32 thread | HDC HBD24 SVL 2xM32G | 1787370000 | 2 |
| Standard housings with cover, metric thread | | | |
| 2 x M 20 thread | HDC HB10 SDVL 2xM20G | 1787700000 | 2 |
| 2 x M 25 thread | HDC HB10 SDVL 2xM25G | 1787690000 | 2 |
| 1 x M 25 thread | HDC HBD24 SDVL 1xM25G | 1787420000 | 1 |
| 1 x M 32 thread | HDC HBD24 SDVL 1xM32G | 1787410000 | 1 |
| Standard housings, PG thread | | | |
| 1 x Pg16 complete | HDC-HB-10-SVL1/16P | 1206200000 | 2 |
| 1 x Pg16 sleeve | HDC-HB-10-SVL1/16 | 1655460000 | 2 |
| 2 x Pg16 complete | HDC-HB-10-SVL2/16P | 1206300000 | 2 |
| 2 x Pg16 sleeve | HDC-HB-10-SVL2/16 | 1655470000 | 2 |
| 1 x Pg21 complete | HDC-HBD-24-SVL1/21P | 1655510000 | 2 |
| 1 x Pg29 complete | HDC-HBD-24-SVL1/29P | 1655550000 | 2 |
| Standard housings with cover, PG thread | | | |
| 1 x Pg16 complete | HDC-HB-10-SDVL1/16P | 1206600000 | 2 |
| 1 x Pg16 sleeve | HDC-HB-10-SDVL1/16 | 1655670000 | 2 |
| 2 x Pg16 complete | HDC-HB-10-SDVL2/16P | 1206700000 | 1 |
| 2 x Pg16 sleeve | HDC-HB-10-SDVL2/16 | 1655680000 | 1 |
| 1 x Pg21 complete | HDC-HBD-24-SDVL1/21P | 1655720000 | 1 |

SVL = Base housing, end locking

SDVL = Base housing with cover, end locking

Dimensions

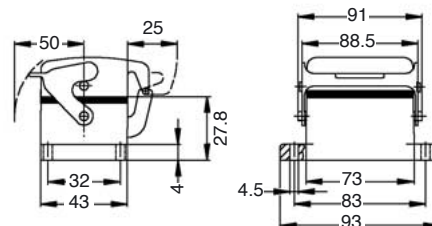


*HB = 54.8
HBD= 74.8

| Version | Type | Cat. No. | Qty. |
|---|----------------------|------------|------|
| Standard housings, metric thread | | | |
| 1 x M 20 thread | HDC HB10 KVL 1xM20G | 1787740000 | 5 |
| 1 x M 25 thread | HDC HB10 KVL 1xM25G | 1787730000 | 2 |
| 1 x M 25 thread | HDC HBD24 KVL 1xM25G | 1787460000 | 2 |
| 1 x M 32 thread | HDC HBD24 KVL 1xM32G | 1787450000 | 2 |
| Standard housings, PG thread | | | |
| 1 x Pg16 complete | HDC-HB-10-KVL1/16P | 1655880000 | 5 |
| 1 x Pg16 sleeve | HDC-HB-10-KVL1/16 | 1655890000 | 5 |
| 1 x Pg21 complete | HDC-HB-10-KVL1/21P | 1655900000 | 2 |

KVL = Coupling hood, end locking

Dimensions



| Version | Type | Cat. No. | Qty. |
|-------------------------------------|----------------|------------|------|
| Standard housings | | | |
| | HDC-HB-10-AVL | 1206100000 | 5 |
| Standard housings with cover | | | |
| | HDC-HB-10-ADVL | 1206500000 | 2 |

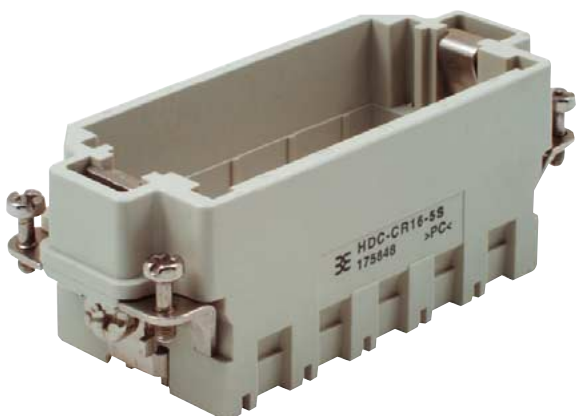
AVL = Bulkhead housing, end locking

ADVL = Bulkhead housing with cover, end locking

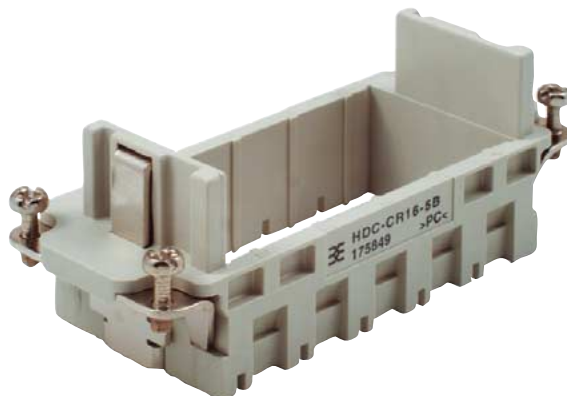
For accessories see section "Accessories"

Frames Group Size 6

Frames CR 16 / 5 Modules

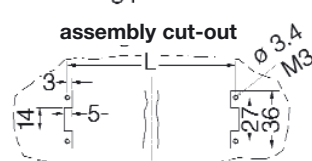
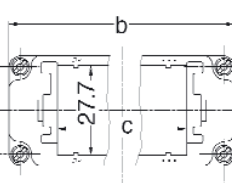
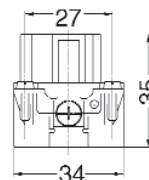
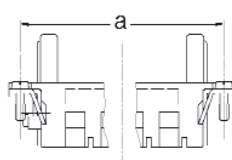
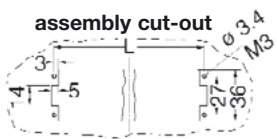
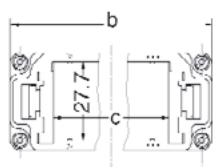
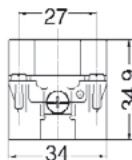
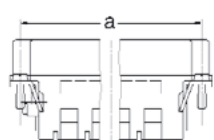


Male frame



Female frame

Dimensions



| Colour | | Black | Grey | | a (mm) | b (mm) | c (mm) | L (mm) | Remarks | Group size |
|----------------------|---------------|------------|------------|---|--------|--------|--------|--------|---------------|---------------|
| Male | HDC-CR16-5S | 1682220000 | 1758480000 | 5 | 77.5 | 84.5 | 57.5 | 77.5 | For 5 modules | 6 (10) |
| Female | HDC-CR16-5B | 1682230000 | 1758490000 | 5 | 77.5 | 84.5 | 57.5 | 77.5 | For 5 modules | 6 (10) |
| Male ¹⁾ | HDC-CR16-5S-2 | | 1758520000 | 5 | 77.5 | 84.5 | 57.5 | 77.5 | For 5 modules | 10 |
| Female ¹⁾ | HDC-CR16-5B-2 | | 1758530000 | 5 | 77.5 | 84.5 | 57.5 | 77.5 | For 5 modules | 10 |

¹⁾ addition markings for the use of two frames in one housing.
2 frames = groupe size 10.

For accessories see section "Accessories"

Housings Group Size 6

Plug hood HB-16 / HBD-40

Side locking lower side

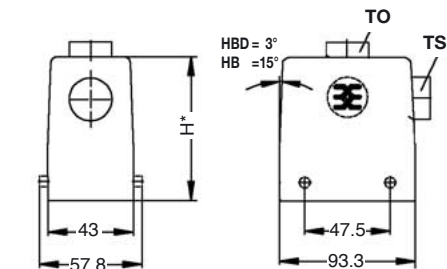


TSVU



TOVU

Dimensions



*HB = 61
HBD = 76

| Version | Type | Cat. No. | Qty. |
|---|-----------------------|------------|------|
| Standard housings, metric thread | | | |
| 1 x M 25 sleeve | HDC HB16 TSVU 1xM25 | 1788180000 | 5 |
| 1 x M 25 thread | HDC HB16 TOVU 1xM25G | 1788210000 | 5 |
| 1 x M 25 thread | HDC HBD40 TSVU 1xM25G | 1787010000 | 5 |
| 1 x M 32 thread | HDC HBD40 TSVU 1xM32G | 1787000000 | 5 |
| 1 x M 25 thread | HDC HBD40 TOVU 1xM25G | 1787070000 | 5 |
| 1 x M 32 thread | HDC HBD40 TOVU 1xM32G | 1787060000 | 5 |
| Standard housings, PG thread | | | |
| 1 x Pg21 complete | HDC-HB-16-TSVU1/21P | 1208400000 | 5 |
| 1 x Pg21 sleeve | HDC-HB-16-TSVU1/21 | 1656480000 | 5 |
| 1 x Pg21 complete | HDC-HB-16-TOVU1/21P | 1208300000 | 5 |
| 1 x Pg21 sleeve | HDC-HB-16-TOVU1/21 | 1656590000 | 5 |
| 1 x Pg21 complete | HDC-HBD-40-TSVU1/21P | 1656510000 | 5 |
| 1 x Pg21 sleeve | HDC-HBD-40-TSVU1/21 | 1656520000 | 5 |
| 1 x Pg29 complete | HDC-HBD-40-TSVU1/29P | 1656530000 | 5 |
| 1 x Pg29 sleeve | HDC-HBD-40-TSVU1/29 | 1656540000 | 5 |
| 1 x Pg21 complete | HDC-HBD-40-TOVU1/21P | 1656620000 | 5 |
| 1 x Pg21 sleeve | HDC-HBD-40-TOVU1/21 | 1656630000 | 5 |
| 1 x Pg29 complete | HDC-HBD-40-TOVU1/29P | 1656640000 | 5 |
| 1 x Pg29 sleeve | HDC-HBD-40-TOVU1/29 | 1656650000 | 5 |

TOVU = Plug hood; Top cable entry, side locking lower side
TSVU = Plug hood; Side cable entry, side locking lower side

For accessories see section "Accessories"

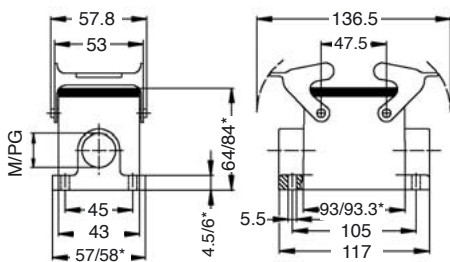
Base housing HB-16 / HBD-40

Side locking



SVU

Dimensions



*HB/HBD

| Version | Type | Cat. No. | Qty. |
|---|----------------------|------------|------|
| Standard housings, metric thread | | | |
| 1 x M 25 thread | HDC HB16 SVU 2xM25G | 1788240000 | 2 |
| 2 x M 25 thread | HDC HBD40 SVU 2xM25G | 1787120000 | 2 |
| 2 x M 32 thread | HDC HBD40 SVU 2xM32G | 1787110000 | 2 |
| Standard housings, PG thread | | | |
| 1 x Pg21 complete | HDC-HB-16-SVU1/21P | 1208700000 | 2 |
| 1 x Pg21 sleeve | HDC-HB-16-SVU1/21 | 1656720000 | 2 |
| 2 x Pg21 complete | HDC-HB-16-SVU2/21P | 1208800000 | 2 |
| 2 x Pg21 sleeve | HDC-HB-16-SVU2/21 | 1656730000 | 2 |
| 1 x Pg21 sleeve | HDC-HBD-40-SVU1/21 | 1656790000 | 2 |
| 1 x Pg29 complete | HDC-HBD-40-SVU1/29P | 1656820000 | 2 |
| 2 x Pg21 complete | HDC-HBD-40-SVU2/21P | 1656800000 | 2 |
| 2 x Pg21 sleeve | HDC-HBD-40-SVU2/21 | 1656810000 | 2 |
| 2 x Pg29 complete | HDC-HBD-40-SVU2/29P | 1656840000 | 2 |

SVU = Base housing, side locking lower side

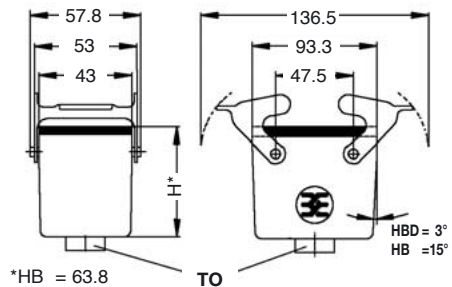
Coupling hood HB-16 / HBD-40

Side locking



KVVU

Dimensions



*HB = 63.8
HBD = 78.8

| Version | Type | Cat. No. | Qty. |
|---|-----------------------|------------|------|
| Standard housings, metric thread | | | |
| 1 x M 25 thread | HDC HBD40 KVVU 1xM25G | 1787200000 | 2 |
| 1 x M 32 thread | HDC HBD40 KVVU 1xM32G | 1787190000 | 2 |
| 1 x M 25 thread | HDC HB16 KVVU 1xM25G | 1788280000 | 2 |
| Standard housings, PG thread | | | |
| 1 x Pg21 complete | HDC-HB-16-KVVU1/21P | 1208900000 | 2 |
| 1 x Pg21 sleeve | HDC-HB-16-KVVU1/21 | 1657270000 | 2 |
| 1 x Pg21 complete | HDC-HBD-40-KVVU1/21P | 1657300000 | 2 |
| 1 x Pg21 sleeve | HDC-HBD-40-KVVU1/21 | 1657310000 | 2 |
| 1 x Pg29 complete | HDC-HBD-40-KVVU1/29P | 1657320000 | 2 |

KVVU = Coupling hood, side locking

Cover for plug hood

Cover with cord



| Type | Cat. No. | Qty. |
|----------------------|------------|------|
| Plastic cover | | |
| HDC-HB-16-DT | 1665270000 | 2 |

Housings Group Size 6

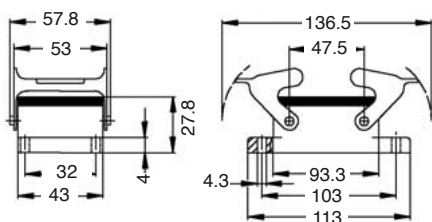
Bulkhead housing HB-16

Side locking



AVU

Dimensions

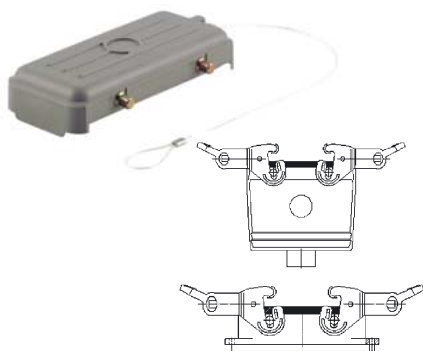


| Version | Type | Cat. No. | Qty. |
|--------------------------|---------------|------------|------|
| Standard housings | | | |
| | HDC-HB-16-AVU | 1208600000 | 5 |

AVU = Bulkhead housing, side locking

Cover for lower side with side locking

Cover with cord



| Type | Cat. No. | Qty. |
|----------------------|------------|------|
| Plastic cover | | |
| HDC-HB-16-DB | 1665260000 | 2 |

For accessories see section "Accessories"

Plug hood HB-16 / HBD-40

Side locking

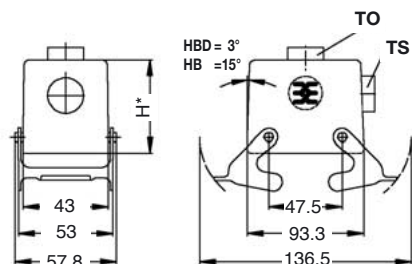


TSVO



TOVO

Dimensions



*HB = 61
HBD = 76

| Version | Type | Cat. No. | Qty. |
|---|-----------------------|------------|------|
| Standard housings, metric thread | | | |
| 1 x M 25 sleeve | HDC HB16 TSVO 1xM25 | 1788190000 | 2 |
| 1 x M 25 thread | HDC HB16 TOVO 1xM25G | 1788220000 | 2 |
| 1 x M 25 thread | HDC HBD40 TSVO 1xM25G | 1787030000 | 2 |
| 1 x M 32 thread | HDC HBD40 TSVO 1xM32G | 1787020000 | 2 |
| 1 x M 25 thread | HDC HBD40 TOVO 1xM25G | 1787090000 | 2 |
| 1 x M 32 thread | HDC HBD40 TOVO 1xM32G | 1787080000 | 2 |

| Version | Type | Cat. No. | Qty. |
|-------------------------------------|----------------------|------------|------|
| Standard housings, PG thread | | | |
| 1 x Pg21 complete | HDC-HB-16-TSVO1/21P | 1209100000 | 2 |
| 1 x Pg21 sleeve | HDC-HB-16-TSVO1/21 | 1657380000 | 2 |
| 1 x Pg21 complete | HDC-HB-16-TOVO1/21P | 1209000000 | 2 |
| 1 x Pg21 sleeve | HDC-HB-16-TOVO1/21 | 1657490000 | 2 |
| 1 x Pg21 complete | HDC-HBD-40-TSVO1/21P | 1657410000 | 2 |
| 1 x Pg21 sleeve | HDC-HBD-40-TSVO1/21 | 1657420000 | 2 |
| 1 x Pg29 complete | HDC-HBD-40-TSVO1/29P | 1657430000 | 2 |
| 1 x Pg21 complete | HDC-HBD-40-TOVO1/21P | 1657520000 | 2 |
| 1 x Pg29 complete | HDC-HBD-40-TOVO1/29P | 1657540000 | 2 |
| 1 x Pg29 sleeve | HDC-HBD-40-TOVO1/29 | 1657550000 | 2 |

TSVO = Plug hood; Side cable entry, side locking

TOVO = Plug hood; Top cable entry, side locking

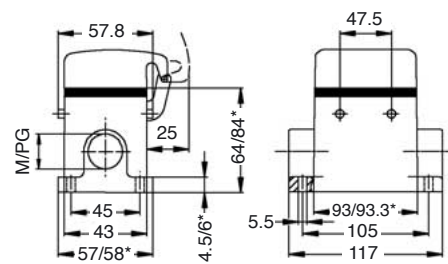
Base housing HB-16 / HBD-40

Side locking upper side



SDVO

Dimensions



| Version | Type | Cat. No. | Qty. |
|--|-----------------------|------------|------|
| Standard housings with cover, metric thread | | | |
| 2 x M 25 thread | HDC HB16 SDVO 2xM25G | 1788260000 | 2 |
| 2 x M 25 thread | HDC HBD40 SDVO 2xM25G | 1787160000 | 2 |
| 2 x M 32 thread | HDC HBD40 SDVO 2xM32G | 1787150000 | 2 |

| Version | Type | Cat. No. | Qty. |
|--|----------------------|------------|------|
| Standard housings with cover, PG thread | | | |
| 1 x Pg21 complete | HDC-HB-16-SDVO1/21P | 1209300000 | 2 |
| 2 x Pg21 complete | HDC-HB-16-SDVO2/21P | 1209400000 | 2 |
| 2 x Pg21 sleeve | HDC-HB-16-SDVO2/21 | 1657640000 | 2 |
| 1 x Pg21 complete | HDC-HBD-40-SDVO1/21P | 1657690000 | 2 |
| 1 x Pg21 sleeve | HDC-HBD-40-SDVO1/21 | 1657700000 | 2 |
| 2 x Pg21 complete | HDC-HBD-40-SDVO2/21P | 1657710000 | 2 |

SDVO = Base housing with cover, side locking upper side

Housings Group Size 6

Bulkhead housing HB-16

Side locking upper side



ADVO

Plug hood HB-16 / HBD-40

End locking lower side / high version



TOVL

Base housing HB-16 / HBD-40

End locking with/without cover



SVL

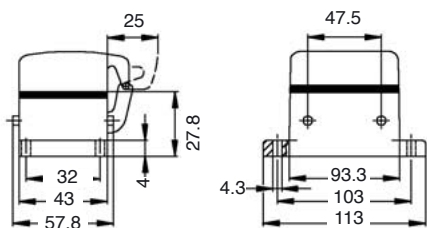


TSVL

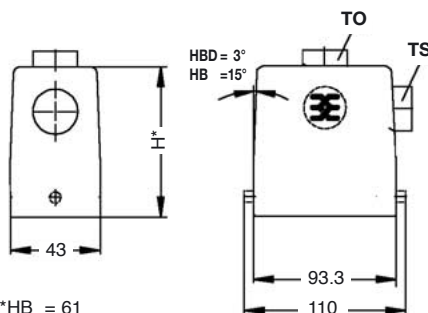


SDVL

Dimensions

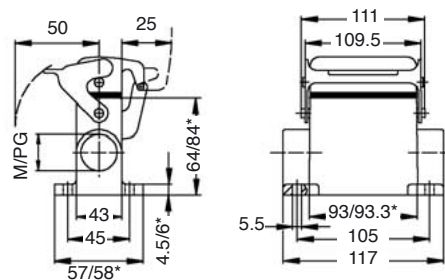


Dimensions



*HB = 61
HBD= 76

Dimensions



*HB/HBD

| Version | Type | Cat. No. | Qty. |
|--------------------------|----------------|------------|------|
| Standard housings | | | |
| | HDC-HB-16-ADVO | 1209200000 | 2 |

ADVL = Bulkhead housing with cover, side locking

| Version | Type | Cat. No. | Qty. |
|---|-----------------------|------------|------|
| Standard housings, metric thread | | | |
| 1 x M 25 sleeve | HDC HB16 TSVL 1xM25 | 1788200000 | 5 |
| 1 x M 25 thread | HDC HB16 TOVL 1xM25G | 1788230000 | 5 |
| 1 x M 32 thread | HDC HB16 TSVL 1xM32G | 1804640000 | 5 |
| 1 x M 32 thread | HDC HB16 TOVL 1xM32G | 1804630000 | 5 |
| 1 x M 25 thread | HDC HBD40 TSVL 1xM25G | 1787050000 | 5 |
| 1 x M 32 thread | HDC HBD40 TSVL 1xM32G | 1787040000 | 5 |
| 1 x M 32 thread | HDC HBD40 TOVL 1xM32G | 1787100000 | 5 |

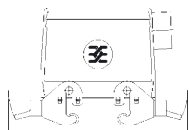
| Version | Type | Cat. No. | Qty. |
|-------------------------------------|----------------------|------------|------|
| Standard housings, PG thread | | | |
| 1 x Pg21 complete | HDC-HB-16-TSVL1/21P | 1209600000 | 5 |
| 1 x Pg21 sleeve | HDC-HB-16-TSVL1/21 | 1657850000 | 5 |
| 1 x Pg21 complete | HDC-HB-16-TOVL1/21P | 1209500000 | 5 |
| 1 x Pg21 sleeve | HDC-HB-16-TOVL1/21 | 1657960000 | 5 |
| 1 x Pg21 complete | HDC-HBD-40-TSVL1/21P | 1657880000 | 5 |
| 1 x Pg21 sleeve | HDC-HBD-40-TSVL1/21 | 1657890000 | 5 |
| 1 x Pg29 complete | HDC-HBD-40-TSVL1/29P | 1657900000 | 5 |
| 1 x Pg29 sleeve | HDC-HBD-40-TSVL1/29 | 1657910000 | 5 |
| 1 x Pg21 complete | HDC-HBD-40-TOVL1/21P | 1657990000 | 5 |
| 1 x Pg21 sleeve | HDC-HBD-40-TOVL1/21 | 1658000000 | 5 |
| 1 x Pg29 complete | HDC-HBD-40-TOVL1/29P | 1658010000 | 5 |
| 1 x Pg29 sleeve | HDC-HBD-40-TOVL1/29 | 1658020000 | 5 |

| Version | Type | Cat. No. | Qty. |
|---|-----------------------|------------|------|
| Standard housings, metric thread | | | |
| 2 x M 25 thread | HDC HB16 SVL 2xM25G | 1788250000 | 2 |
| 2 x M 25 thread | HDC HBD40 SVL 2xM25G | 1787140000 | 2 |
| 2 x M 32 thread | HDC HBD40 SVL 1xM32G | 1804660000 | 2 |
| 2 x M 32 thread | HDC HBD40 SVL 2xM32G | 1787130000 | 2 |
| 2 x M 25 thread | HDC HB16 SDVL 2xM25G | 1788270000 | 2 |
| 2 x M 25 thread | HDC HBD40 SDVL 2xM25G | 1787180000 | 2 |
| 2 x M 32 thread | HDC HBD40 SDVL 2xM32G | 1787170000 | 2 |

| Version | Type | Cat. No. | Qty. |
|--------------------------------------|----------------------|------------|------|
| Standard housings, PG- thread | | | |
| 1 x Pg21 complete | HDC-HB-16-SVL1/21P | 1209800000 | 2 |
| 1 x Pg21 sleeve | HDC-HB-16-SVL1/21 | 1658110000 | 2 |
| 2 x Pg21 complete | HDC-HB-16-SVL2/21P | 1209900000 | 2 |
| 2 x Pg21 sleeve | HDC-HB-16-SVL2/21 | 1658120000 | 2 |
| 1 x Pg21 complete | HDC-HB-16-SDVL1/21P | 1210200000 | 2 |
| 1 x Pg21 sleeve | HDC-HB-16-SDVL1/21 | 1658320000 | 2 |
| 2 x Pg21 complete | HDC-HB-16-SDVL2/21P | 1210300000 | 2 |
| 2 x Pg21 sleeve | HDC-HB-16-SDVL2/21 | 1658330000 | 2 |
| 1 x Pg21 complete | HDC-HBD-40-SDVL1/21P | 1658370000 | 2 |
| 1 x Pg29 complete | HDC-HBD-40-SDVL1/29P | 1658410000 | 2 |
| 2 x Pg29 complete | HDC-HBD-40-SDVL2/29P | 1658430000 | 2 |

Cover for plug hood with side locking

Cover with cord



| Type | Cat. No. | Qty. |
|----------------------|------------|------|
| Plastic cover | | |
| HDC-HB-16-DBP | 1665620000 | 5 |

TSVL = Plug hood; Side cable entry, end locking lower side

TOVL = Plug hood; Top cable entry, end locking lower side

SVL = Base housing, end locking

SDVL = Base housing with cover, end locking

For accessories see section "Accessories"

Housings Group Size 6

Coupling hood HB-16 / HBD-40

End locking



KVL

Bulkhead housing HB-16

End locking

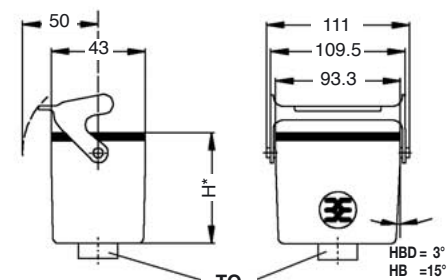


AVL



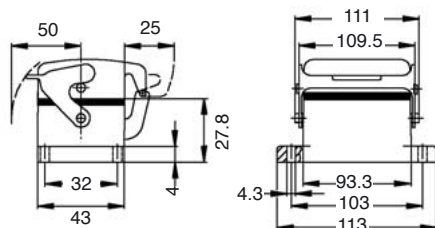
ADVL

Dimensions



*HB = 63.5
HBD = 78.5

Dimensions



| Version | Type | Cat. No. | Qty. |
|---|----------------------|-------------------|------|
| Standard housings, metric thread | | | |
| 1 x M 25 thread | HDC HB16 KVL 1xM25G | 1788290000 | 2 |
| 1 x M 25 thread | HDC HBD40 KVL 1xM25G | 1787220000 | 2 |
| 1 x M 32 thread | HDC HBD40 KVL 1xM32G | 1787210000 | 2 |
| Standard housings, PG thread | | | |
| 1 x Pg21 complete | HDC-HB-16-KVL1/21P | 1210000000 | 2 |
| 1 x Pg29 complete | HDC-HBD-40-KVL1/29P | 1658580000 | 2 |

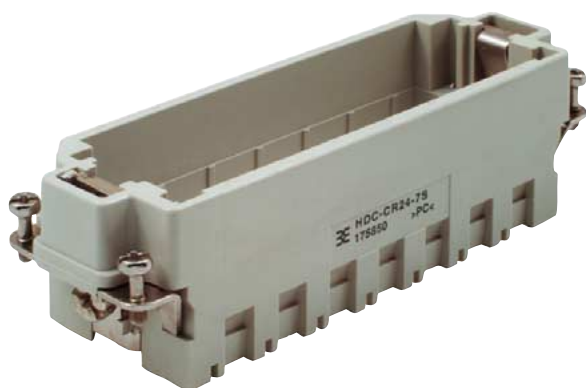
| Version | Type | Cat. No. | Qty. |
|--|----------------|-------------------|------|
| Standard housings | | | |
| | HDC-HB-16-AVL | 1209700000 | 5 |
| Standard housings with cover | | | |
| | HDC-HB-16-ADVL | 1210100000 | 2 |
| AVL = Bulkhead housing, end locking | | | |
| ADVL = Bulkhead housing with cover, end locking | | | |

KVL = Coupling hood, end locking

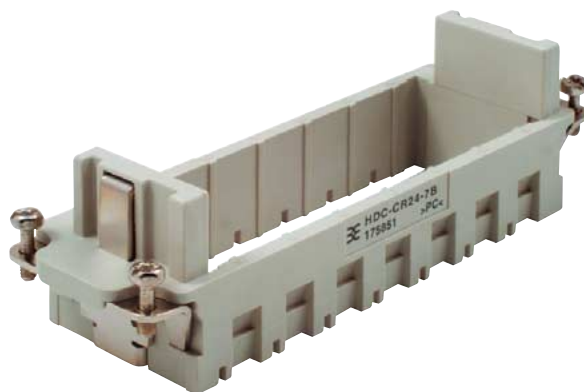
For accessories see section "Accessories"

Frames Group Size 8

Frames CR 24 / 7 modules

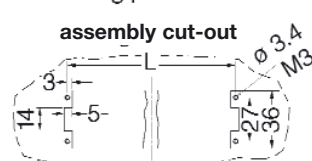
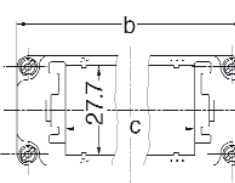
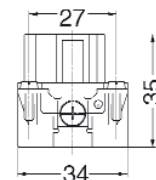
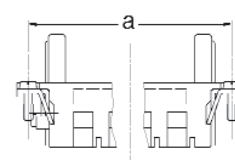
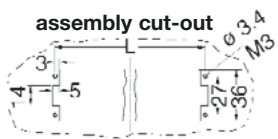
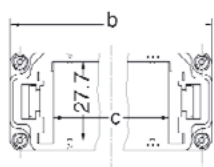
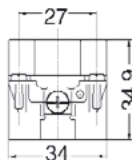


Male frame



Female frame

Dimensions



| Colour | | Black | Grey | | | | | | | | |
|----------------------|---------------|------------|------------|------|--------|--------|--------|--------|---------------|---------------|--|
| Version | Type | Cat. No. | Cat. No. | Qty. | a (mm) | b (mm) | c (mm) | L (mm) | Remarks | Group size | |
| Male | HDC-CR24-7S | 1682240000 | 1758500000 | 5 | 104 | 111 | 80.5 | 104 | for 7 modules | 8 (12) | |
| Female | HDC-CR24-7B | 1682250000 | 1758510000 | 5 | 104 | 111 | 80.5 | 104 | for 7 modules | 8 (12) | |
| Male ²⁾ | HDC-CR24-7S-2 | | 1758540000 | 5 | 104 | 111 | 80.5 | 104 | for 7 modules | 12 | |
| Female ²⁾ | HDC-CR24-7B-2 | | 1758550000 | 5 | 104 | 111 | 80.5 | 104 | for 7 modules | 12 | |

²⁾ addition markings for the use of two frames in one housing.
2 frames = group size 12.

For accessories see section "Accessories"

Housings Group Size 8

Plug hood HB-24

Side locking lower side

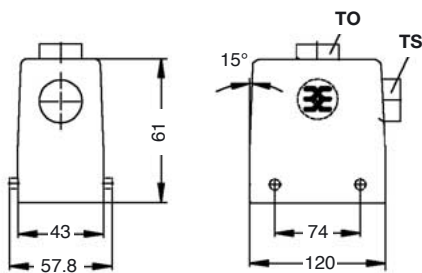


TOVU



TSVU

Dimensions



| Version | Type | Cat. No. | Qty. |
|---|----------------------|-------------------|------|
| Standard housings, metric thread | | | |
| 1 x M 25 thread | HDC HB24 TOVU 1xM25G | 1787820000 | 2 |
| 1 x M 32 sleeve | HDC HB24 TSVU 1xM32 | 1787750000 | 2 |
| 1 x M 25 sleeve | HDC HB24 TSVU 1xM25 | 1787760000 | 2 |
| 1 x M 32 thread | HDC HB24 TOVU 1xM32G | 1787810000 | 2 |
| Standard housings, PG thread | | | |
| 1 x Pg21 complete | HDC-HB-24-TSVU1/21P | 1212100000 | 2 |
| 1 x Pg21 sleeve | HDC-HB-24-TSVU1/21 | 1661230000 | 2 |
| 1 x Pg29 complete | HDC-HB-24-TSVU1/29P | 1212200000 | 2 |
| 1 x Pg29 sleeve | HDC-HB-24-TSVU1/29 | 1661240000 | 2 |
| 1 x Pg21 complete | HDC-HB-24-TOVU1/21P | 1211900000 | 2 |
| 1 x Pg21 sleeve | HDC-HB-24-TOVU1/21 | 1661370000 | 2 |
| 1 x Pg29 complete | HDC-HB-24-TOVU1/29P | 1212000000 | 2 |
| 1 x Pg29 sleeve | HDC-HB-24-TOVU1/29 | 1661380000 | 2 |

TOVU = Plug hood; Top cable entry, side locking lower side
TSVU = Plug hood; Side cable entry, side locking lower side

Plug hood HBD-64

Side locking lower side / high version

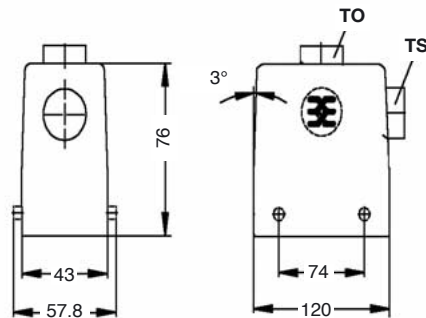


TOVU



TSVU

Dimensions



| Version | Type | Cat. No. | Qty. |
|---|-----------------------|-------------------|------|
| Standard housings, metric thread | | | |
| 1 x M 25 thread | HDC HBD64 TSVU 1xM25G | 1786780000 | 2 |
| 1 x M 32 thread | HDC HBD64 TSVU 1xM32G | 1786770000 | 2 |
| 1 x M 25 thread | HDC HBD64 TOVU 1xM25G | 1786840000 | 2 |
| 1 x M 32 thread | HDC HBD64 TOVU 1xM32G | 1786830000 | 2 |
| Standard housings, PG thread | | | |
| 1 x Pg21 complete | HDC-HBD-64-TSVU1/21P | 1661290000 | 2 |
| 1 x Pg21 sleeve | HDC-HBD-64-TSVU1/21 | 1661300000 | 2 |
| 1 x Pg29 complete | HDC-HBD-64-TSVU1/29P | 1661310000 | 2 |
| 1 x Pg29 sleeve | HDC-HBD-64-TSVU1/29 | 1661320000 | 2 |
| 1 x Pg21 complete | HDC-HBD-64-TOVU1/21P | 1661430000 | 2 |
| 1 x Pg21 sleeve | HDC-HBD-64-TOVU1/21 | 1661440000 | 2 |
| 1 x Pg29 complete | HDC-HBD-64-TOVU1/29P | 1661450000 | 2 |
| 1 x Pg29 sleeve | HDC-HBD-64-TOVU1/29 | 1661460000 | 2 |

TOVU = Plug hood; Top cable entry, side locking lower side
TSVU = Plug hood; Side cable entry, side locking lower side

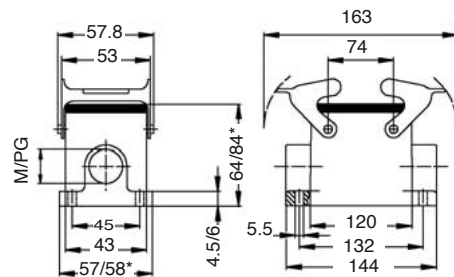
Base housing HB-24 / HBD-64

Side locking



SVU

Dimensions



*HB/HBD

| Version | Type | Cat. No. | Qty. |
|---|----------------------|-------------------|------|
| Standard housings, metric thread | | | |
| 2 x M 25 thread | HDC HB24 SVU 2xM25G | 1787870000 | 2 |
| 2 x M 25 thread | HDC HBD64 SVU 2xM25G | 1786890000 | 2 |
| 2 x M 32 thread | HDC HBD64 SVU 2xM32G | 1786880000 | 2 |
| Standard housings, PG thread | | | |
| 1 x Pg21 complete | HDC-HB-24-SVU1/21P | 1212500000 | 2 |
| 1 x Pg21 sleeve | HDC-HB-24-SVU1/21 | 1661510000 | 2 |
| 2 x Pg21 complete | HDC-HB-24-SVU2/21P | 1212600000 | 2 |
| 2 x Pg21 sleeve | HDC-HB-24-SVU2/21 | 1661520000 | 2 |
| 1 x Pg21 complete | HDC-HBD-64-SVU1/21P | 1661560000 | 2 |
| 1 x Pg21 sleeve | HDC-HBD-64-SVU1/21 | 1661570000 | 2 |
| 1 x Pg29 complete | HDC-HBD-64-SVU1/29P | 1661600000 | 2 |
| 1 x Pg29 sleeve | HDC-HBD-64-SVU1/29 | 1661610000 | 2 |
| 2 x Pg21 complete | HDC-HBD-64-SVU2/21P | 1661580000 | 2 |
| 2 x Pg21 sleeve | HDC-HBD-64-SVU2/21 | 1661590000 | 2 |
| 2 x Pg29 complete | HDC-HBD-64-SVU2/29P | 1661620000 | 2 |
| 2 x Pg29 sleeve | HDC-HBD-64-SVU2/29 | 1661630000 | 2 |

SVU = Base housing, side locking

For accessories see section "Accessories"

Housings Group Size 8

Coupling hood HB-24 / HBD-64

Side locking

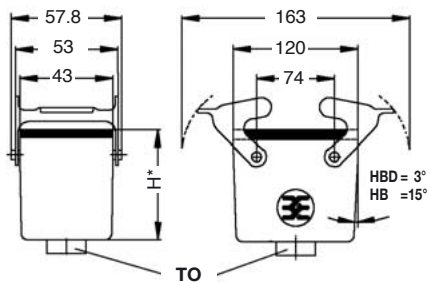


KVU



KVU

Dimensions



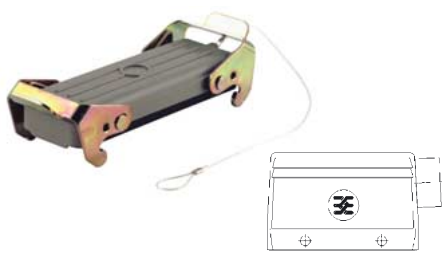
*HB = 63.8
HBD = 78.8

| Version | Type | Cat. No. | Qty. |
|---|----------------------|-------------------|------|
| Standard housings, metric thread | | | |
| 1 x M 25 thread | HDC HB24 KVU 1xM25G | 1787920000 | 2 |
| 1 x M 32 thread | HDC HB24 KVU 1xM32G | 1787910000 | 2 |
| 1 x M 25 thread | HDC HBD64 KVU 1xM25G | 1786970000 | 2 |
| 1 x M 32 thread | HDC HBD64 KVU 1xM32G | 1786960000 | 2 |
| Standard housings, PG thread | | | |
| 1 x Pg21 complete | HDC-HB-24-KVU1/21P | 1212700000 | 2 |
| 1 x Pg21 sleeve | HDC-HB-24-KVU1/21 | 1661720000 | 2 |
| 1 x Pg29 complete | HDC-HB-24-KVU1/29P | 1212800000 | 2 |
| 1 x Pg29 sleeve | HDC-HB-24-KVU1/29 | 1661730000 | 2 |
| 1 x Pg21 complete | HDC-HBD-64-KVU1/21P | 1661780000 | 2 |
| 1 x Pg29 complete | HDC-HBD-64-KVU1/29P | 1661800000 | 2 |

KVU = Coupling hood, side locking

Cover for plug hood

Cover with cord



| Type | Cat. No. | Qty. |
|----------------------|-------------------|------|
| Plastic cover | | |
| HDC-HB-24-DT | 1665640000 | 2 |

For accessories see section "Accessories"

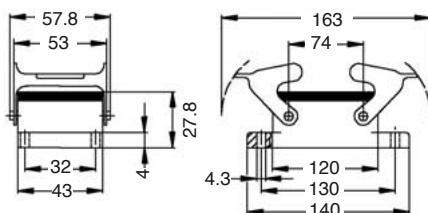
Bulkhead housing HB-24

Side locking



AVU

Dimensions

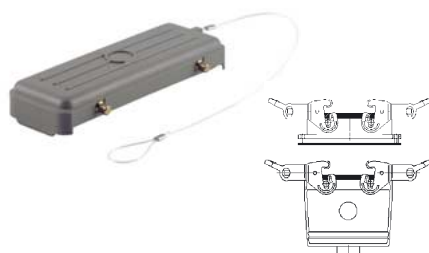


| Version | Type | Cat. No. | Qty. |
|--------------------------|---------------|-------------------|------|
| Standard housings | | | |
| | HDC-HB-24-AVU | 1212400000 | 2 |

AVU = Bulkhead housing, side locking

Cover for lower side with side locking

Cover with cord



| Type | Cat. No. | Qty. |
|----------------------|-------------------|------|
| Plastic cover | | |
| HDC-HB-24-DB | 1665630000 | 2 |

Housings Group Size 8

Plug hood HB-24 / HBD-64

Side locking upper side

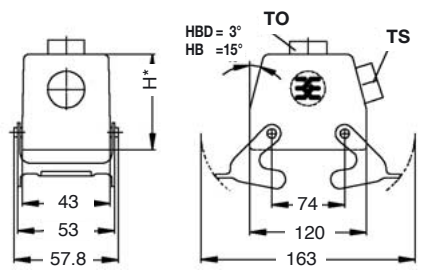


TOVO



TSVO

Dimensions



*HB = 61
HBD = 76

| Version | Type | Cat. No. | Qty. |
|---|-----------------------|------------|------|
| Standard housings, metric thread | | | |
| 1 x M 25 sleeve | HDC HB24 TSVO 1xM25 | 1787780000 | 2 |
| 1 x M 32 sleeve | HDC HB24 TSVO 1xM32 | 1787770000 | 2 |
| 1 x M 25 thread | HDC HB24 TOVO 1xM25G | 1787840000 | 2 |
| 1 x M 32 thread | HDC HB24 TOVO 1xM32G | 1787830000 | 2 |
| 1 x M 25 thread | HDC HBD64 TOVO 1xM25G | 1786850000 | 2 |
| 1 x M 32 thread | HDC HBD64 TOVO 1xM32G | 1804670000 | 2 |
| 1 x M 25 thread | HDC HBD64 TSVO 1xM25G | 1786800000 | 2 |
| 1 x M 32 thread | HDC HBD64 TSVO 1xM32G | 1786790000 | 2 |
| Standard housings, PG thread | | | |
| 1 x Pg21 complete | HDC-HB-24-TSVO1/21P | 1213100000 | 2 |
| 1 x Pg21 sleeve | HDC-HB-24-TSVO1/21 | 1661860000 | 2 |
| 1 x Pg29 complete | HDC-HB-24-TSVO1/29P | 1661870000 | 2 |
| 1 x Pg29 sleeve | HDC-HB-24-TSVO1/29 | 1661880000 | 2 |
| 1 x Pg21 complete | HDC-HB-24-TOVO1/21P | 1212900000 | 2 |
| 1 x Pg21 sleeve | HDC-HB-24-TOVO1/21 | 1662010000 | 2 |
| 1 x Pg29 complete | HDC-HB-24-TOVO1/29P | 1213000000 | 2 |
| 1 x Pg29 sleeve | HDC-HB-24-TOVO1/29 | 1662020000 | 2 |
| 1 x Pg21 complete | HDC-HBD-64-TOVO1/21P | 1662070000 | 2 |
| 1 x Pg21 sleeve | HDC-HBD-64-TOVO1/21 | 1662080000 | 2 |
| 1 x Pg29 complete | HDC-HBD-64-TOVO1/29P | 1662090000 | 2 |
| 1 x Pg29 sleeve | HDC-HBD-64-TOVO1/29 | 1662100000 | 2 |
| 1 x Pg21 complete | HDC-HBD-64-TSVO1/21P | 1661930000 | 2 |
| 1 x Pg21 sleeve | HDC-HBD-64-TSVO1/21 | 1661940000 | 2 |
| 1 x Pg29 complete | HDC-HBD-64-TSVO1/29P | 1661950000 | 2 |
| 1 x Pg29 sleeve | HDC-HBD-64-TSVO1/29 | 1661960000 | 2 |

TOVO = Plug hood; Top cable entry, side locking
TSVO = Plug hood; Side cable entry, side locking

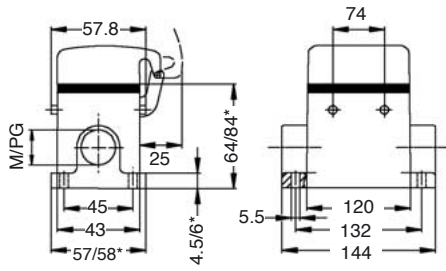
Base housing HB-24 / HBD-64

Side locking upper side Group size 8



SDVO

Dimensions



*HB/HBD

| Version | Type | Cat. No. | Qty. |
|--|-----------------------|------------|------|
| Standard housings with cover, metric thread | | | |
| 2 x M 25 thread | HDC HB24 SDVO 2xM25G | 1787890000 | 2 |
| 2 x M 25 thread | HDC HBD64 SDVO 2xM25G | 1786930000 | 2 |
| 2 x M 32 thread | HDC HBD64 SDVO 2xM32G | 1786920000 | 2 |
| Standard housings with cover, metric thread | | | |
| 1 x Pg21 complete | HDC-HB-24-SDVO1/21P | 1213400000 | 2 |
| 1 x Pg21 sleeve | HDC-HB-24-SDVO1/21 | 1662170000 | 2 |
| 2 x Pg21 complete | HDC-HB-24-SDVO2/21P | 1213500000 | 2 |
| 2 x Pg21 sleeve | HDC-HB-24-SDVO2/21 | 1662180000 | 2 |
| 1 x Pg29 complete | HDC-HBD-64-SDVO1/29P | 1662270000 | 2 |
| 1 x Pg29 sleeve | HDC-HBD-64-SDVO1/29 | 1662280000 | 2 |
| 2 x Pg21 complete | HDC-HBD-64-SDVO2/21P | 1662250000 | 2 |

SDVO = Base housing with cover, side locking upper side

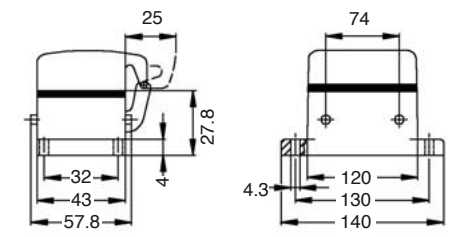
Bulkhead housing HB-24

Side locking upper side Group size 8



ADVO

Dimensions

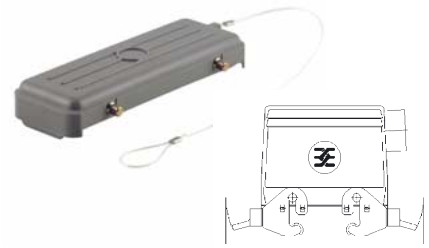


| Version | Type | Cat. No. | Qty. |
|-------------------------------------|----------------|------------|------|
| Standard housings with cover | | | |
| | HDC-HB-24-ADVO | 1213300000 | 2 |

ADVO = Bulkhead housing with cover, side locking upper side

Cover for plug hood with side locking

Cover with cord



| Type | Cat. No. | Qty. |
|----------------------|------------|------|
| Plastic cover | | |
| HDC-HB-24-DBP | 1665650000 | 2 |

For accessories see section "Accessories"

Housings Group Size 8

Plug hood HB-24

End locking lower side

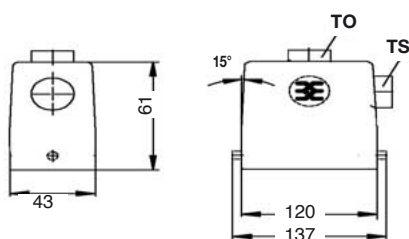


TOVL



TSVL

Dimensions



| Version | Type | Cat. No. | Qty. |
|---|----------------------|------------|------|
| Standard housings, metric thread | | | |
| 1 x M 25 sleeve | HDC HB24 TSVL 1xM25 | 1787800000 | 2 |
| 1 x M 32 sleeve | HDC HB24 TSVL 1xM32 | 1787790000 | 2 |
| 1 x M 25 thread | HDC HB24 TOVL 1xM25G | 1787860000 | 2 |
| 1 x M 32 thread | HDC HB24 TOVL 1xM32G | 1787850000 | 2 |
| Standard housings, PG thread | | | |
| 1 x Pg21 complete | HDC-HB-24-TSVL1/21P | 1213800000 | 2 |
| 1 x Pg21 sleeve | HDC-HB-24-TSVL1/21 | 1662390000 | 2 |
| 1 x Pg29 complete | HDC-HB-24-TSVL1/29P | 1662400000 | 2 |
| 1 x Pg29 sleeve | HDC-HB-24-TSVL1/29 | 1662410000 | 2 |
| 1 x Pg21 complete | HDC-HB-24-TOVL1/21P | 1213600000 | 2 |
| 1 x Pg21 sleeve | HDC-HB-24-TOVL1/21 | 1662540000 | 2 |
| 1 x Pg29 complete | HDC-HB-24-TOVL1/29P | 1213700000 | 2 |
| 1 x Pg29 sleeve | HDC-HB-24-TOVL1/29 | 1662550000 | 2 |

TOVL Plug hood; Top cable entry, end locking lower side
TSVL = Plug hood; Side cable entry, end locking lower side

Plug hood HBD-64

End locking lower side / high version

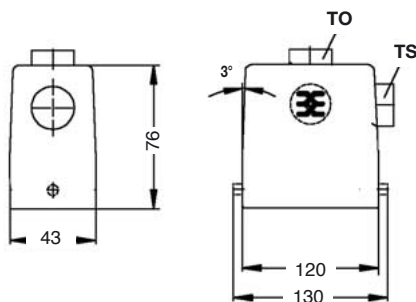


TOVL



TSVL

Dimensions



| Version | Type | Cat. No. | Qty. |
|---|-----------------------|------------|------|
| Standard housings, metric thread | | | |
| 1 x M 25 thread | HDC HBD64 TSVL 1xM25G | 1786820000 | 2 |
| 1 x M 32 thread | HDC HBD64 TSVL 1xM32G | 1786810000 | 2 |
| 1 x M 25 thread | HDC HBD64 TOVL 1xM25G | 1786870000 | 2 |
| 1 x M 32 thread | HDC HBD64 TOVL 1xM32G | 1786860000 | 2 |
| Standard housings, PG thread | | | |
| 1 x Pg21 complete | HDC-HBD-64-TSVL1/21P | 1662460000 | 2 |
| 1 x Pg21 sleeve | HDC-HBD-64-TSVL1/21 | 1662470000 | 2 |
| 1 x Pg29 complete | HDC-HBD-64-TSVL1/29P | 1662480000 | 2 |
| 1 x Pg29 sleeve | HDC-HBD-64-TSVL1/29 | 1662490000 | 2 |
| 1 x Pg29 complete | HDC-HBD-64-TOVL1/29P | 1662620000 | 2 |
| 1 x Pg29 sleeve | HDC-HBD-64-TOVL1/29 | 1662630000 | 2 |

TOVL Plug hood; Top cable entry, end locking lower side
TSVL = Plug hood; Side cable entry, end locking lower side

Base housing HB-24 / HBD-64

End locking / with/without cover

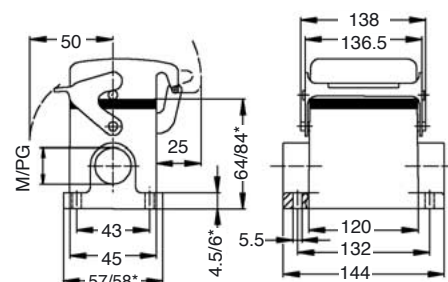


SVL



SDVL

Dimensions



*HB/HBD

| Version | Type | Cat. No. | Qty. |
|--|-----------------------|------------|------|
| Standard housings, metric thread | | | |
| 2 x M 25 thread | HDC HB24 SVL 2xM25G | 1787880000 | 2 |
| 2 x M 25 thread | HDC HBD64 SVL 2xM25G | 1786910000 | 2 |
| 2 x M 32 thread | HDC HBD64 SVL 2xM32G | 1786900000 | 2 |
| 2 x M 25 thread | HDC HBD64 SDVL 2xM25G | 1786950000 | 2 |
| 2 x M 32 thread | HDC HBD64 SDVL 2xM32G | 1786940000 | 2 |
| Standard housings with cover, metric thread | | | |
| 2 x M 25 thread | HDC HB24 SDVL 2xM25G | 1787900000 | 2 |
| Standard housings, PG thread | | | |
| 1 x Pg21 complete | HDC-HB-24-SVL1/21P | 1214000000 | 2 |
| 1 x Pg21 sleeve | HDC-HB-24-SVL1/21 | 1662710000 | 2 |
| 2 x Pg21 complete | HDC-HB-24-SVL2/21P | 1214100000 | 2 |
| 2 x Pg21 sleeve | HDC-HB-24-SVL2/21 | 1662720000 | 2 |
| 2 x Pg21 complete | HDC-HBD-64-SVL2/21P | 1662780000 | 2 |
| Standard housings with cover, PG thread | | | |
| 1 x Pg21 complete | HDC-HB-24-SDVL1/21P | 1214400000 | 2 |
| 1 x Pg21 sleeve | HDC-HB-24-SDVL1/21 | 1662920000 | 2 |
| 2 x Pg21 complete | HDC-HB-24-SDVL2/21P | 1214500000 | 2 |
| 2 x Pg29 sleeve | HDC-HBD-64-SDVL2/29 | 1663040000 | 2 |
| 1 x Pg21 complete | HDC-HBD-64-SDVL1/21P | 1662970000 | 2 |
| 1 x Pg29 complete | HDC-HBD-64-SDVL1/29P | 1663010000 | 2 |

SVL = Base housing, end locking
SDVL = Base housing with cover, end locking

For accessories see section "Accessories"

Housings Group Size 8

Coupling hood HB-24 / HBD-64

End locking



KVL

Bulkhead housing HB-24

End locking, with/without cover

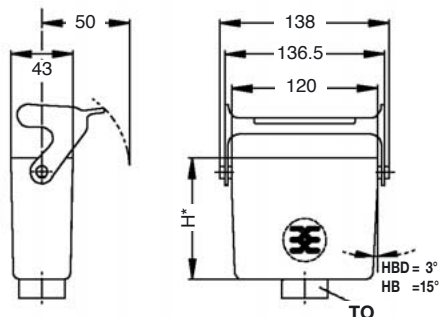


AVL



ADVL

Dimensions

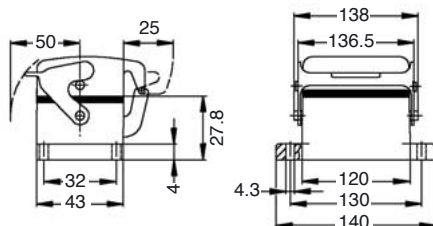


*HB = 63.8
HBD = 78.8

| Version | Type | Cat. No. | Qty. |
|---|----------------------|-------------------|------|
| Standard housings, metric thread | | | |
| 1 x M 25 thread | HDC HB24 KVL 1xM25G | 1787940000 | 2 |
| 1 x M 32 thread | HDC HB24 KVL 1xM32G | 1787930000 | 2 |
| 1 x M 25 thread | HDC HBD64 KVL 1xM25G | 1786990000 | 2 |
| 1 x M 32 thread | HDC HBD64 KVL 1xM32G | 1786980000 | 2 |
| Standard housings, PG thread | | | |
| 1 x Pg21 complete | HDC-HB-24-KVL1/21P | 1663130000 | 2 |
| 1 x Pg29 complete | HDC-HB-24-KVL1/29P | 1214200000 | 2 |
| 1 x Pg29 complete | HDC-HBD-64-KVL1/29P | 1663220000 | 2 |

KVL = Coupling hood, end locking

Dimensions



| Version | Type | Cat. No. | Qty. |
|-------------------------------------|----------------|-------------------|------|
| Standard housings | | | |
| | HDC-HB-24-AVL | 1213900000 | 2 |
| Standard housings with cover | | | |
| | HDC-HB-24-ADVL | 1214300000 | 2 |

AVL = Bulkhead housing, end locking

ADVL = Bulkhead housing with cover, end locking

For accessories see section "Accessories"

Housings Group Size 8

Plug hood HBD-64

Centre locking



TSVZ

Base housing HB-24

Centre locking upper side



SVZ

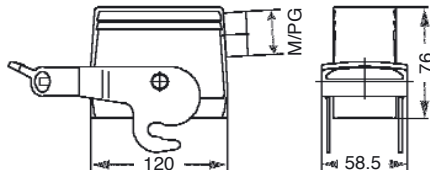
Bulkhead housing HB-24

Centre locking

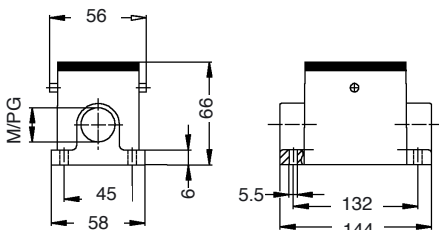


AVZ

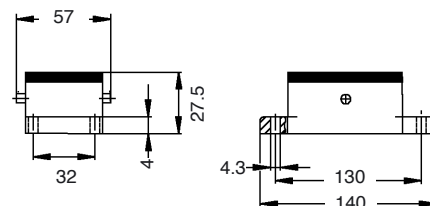
Dimensions



Dimensions



Dimensions



| Version | Type | Cat. No. | Qty. |
|---|-------------------------------|------------|------|
| Standard housings, metric thread | | | |
| 1 x Pg21 | complete HDC-HBD-64-TSVZ1/21P | 1663360000 | 2 |
| 1 x Pg29 | complete HDC-HBD-64-TSVZ1/29P | 1603510000 | 2 |
| 1 x Pg29 | sleeve HDC-HBD-64-TSVZ1/29 | 1663390000 | 2 |

| Version | Type | Cat. No. | Qty. |
|-------------------------------------|-----------------------------|------------|------|
| Standard housings, PG thread | | | |
| 1 x Pg21 | complete HDC-HB-24-SVZ1/21P | 1600620000 | 2 |

| Version | Type | Cat. No. | Qty. |
|--------------------------|---------------|------------|------|
| Standard housings | | | |
| | HDC-HB-24-AVZ | 1611350000 | 2 |

TSVZ = Plug hood; Side cable entry, centre locking

SVZ = Base housing, centre locking

AVZ = Bulkhead housing, centre locking

For accessories see section "Accessories"

