

PRODUCT NO.  
10074595-001LF  
10074595-000MLF

LOW COST REVISION NONE: NO  
M: YES  
HALOGEN FREE OPTIONAL 0: NO  
1: YES  
STAND OFF 0: 0MM  
5: 5MM

NOTES:

1. MATERIAL

1.1 HEADER ASS'Y:

PLASTIC HOUSING: PLASTIC UL94-V0 BLACK  
PIN: COPPER ALLOY  
COVER PLATE: STEEL

2. FINISH

UNDER PLATING :1.27 um MIN. Ni  
CONTACT AREA :0.075 um MIN. GOLD OVER  
SOLDER TAIL : 2.5 um MIN. PURE TIN  
COVER PLATE: 0.5 um Ni MIN UNDER 2.54um PURE TIN MIN  
[PLATING OF HOLD DOWN AREA MUST MEET THIS SPEC,  
NOT CONTROL OTHER AREA]

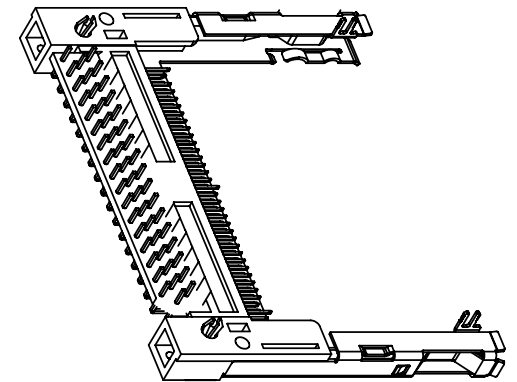
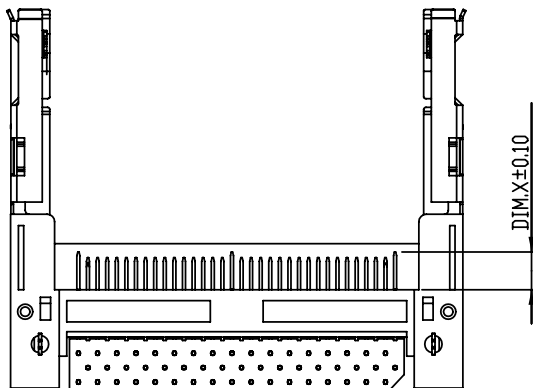
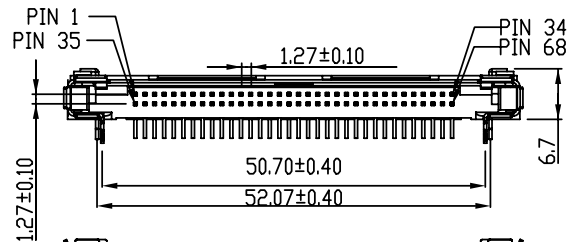
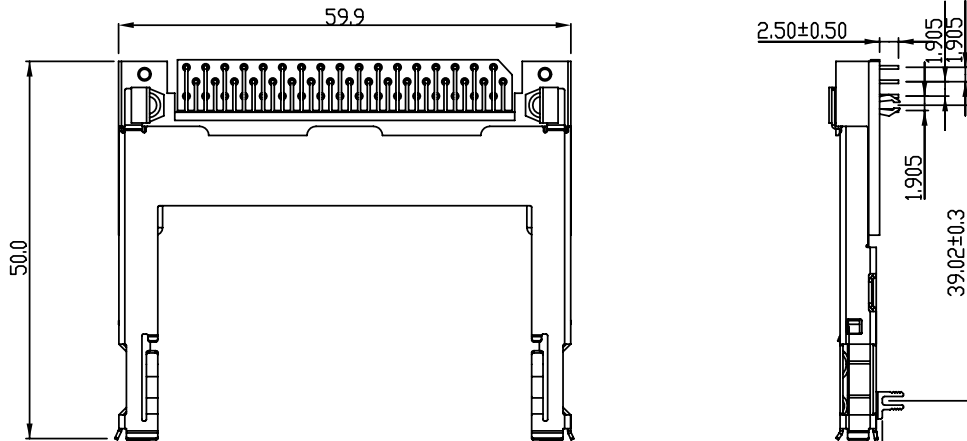
3. DIM 'X'

4.25±0.10	3.5±0.10	5.0±0.10
OTHERS	36,67	1,17,34,35,51,68

4. IF LEAD FREE P/N, THE HOUSING WILL WITHSTAND EXPOSURE TO 260° C PEAK TEMPERATURE FOR 10 SECONDS IN A WAVE SOLDER APPLICATION WITH A 1.0MM MINIMUM THICK CIRCUIT BOARD.

5. LEAD FREE PRODUCT MEETS EUROPEAN UNION DIRECTIVES AND OTHER COUNTRY REGULATIONS AS DISCRIBED IN GS-22-008

6. PACKAGE MEETS GS-14-1090 SPECIFICATION



Copyright FCI.

www.fciconnect.com				surface - ✓	tolerance std	projection			
TOLERANCES UNLESS OTHERWISE SPECIFIED				ANGULAR	LINEAR	0.X	±0.3	size A4	Scale 1.000
Dr MIKE ZHOU 11/20/06				0°	±2°	0.XX	±0.15	ECN	
Eng MIKE ZHOU 11/20/06				Product family		0.XXX	±0.10	Spec ref	
Chr QIN DAVID 11/20/06									
Appr WANG JACK 11/20/06									
FCI				title 5.0V PCMCIA ASSEMBLY		dwg no 10074595		Rev. J	
				catalog no		CUSTOMER		sheet 1 of 4	

rev	ecn no	dr	date
H	N10-0062	SH	03/31/10
J	N10-0205	SH	07/12/10
-	-	-	-
-	-	-	-
-	-	-	-
-	-	-	-

1

2

3

4

PRODUCT NO.  
 10074595-051MLF  
 10074595-050MLF



LOW COST REVISION NONE: NO  
 M: YES  
 HALOGEN FREE OPTIONAL 0: NO  
 1: YES  
 STAND OFF 0: 0MM  
 5: 5MM

NOTES:

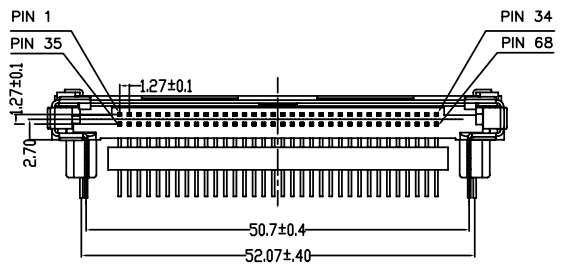
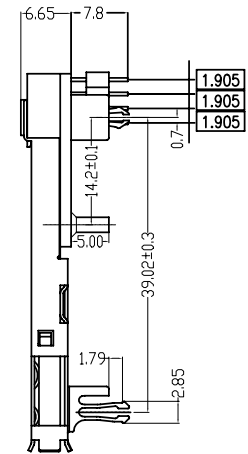
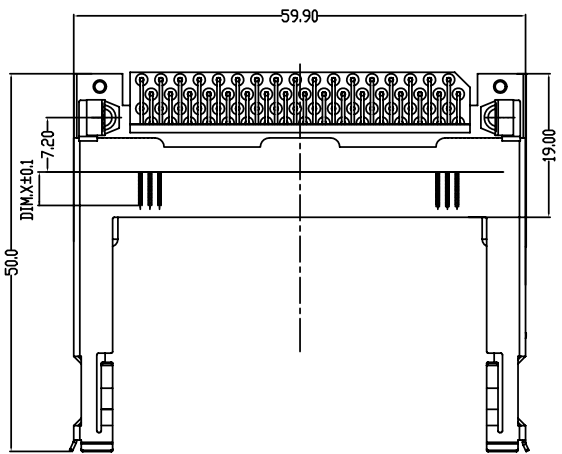
- MATERIAL
  - 1.1 HEADER ASS'Y:
    - PLASTIC: HOUSING...PLASTIC UL94-VO BLACK
    - PIN : COPPER ALLOY.
    - COVER PLATE :SPCC.
    - PLATING: ALL AREA PLATING 3.75um NICKEL Min
    - LOCATOR: PBT, BLACK.
    - HOLDDOWN : COPPER ALLOY
    - PLATING: BRIGHT PURE TIN 2.54um Min
    - OVER 0.508um NI Min

- FINISH (PIN)
  - UNDER PLATING :1.27um MIN. Ni
  - CONTACT AREA :0.075um MIN. GOLD OVER
  - SOLDER TAIL : 2.5 um MIN.PURE TIN

3. DIM "X"

4.25±0.1	3.5±0.1	5.0±0.1
OTHERS	36,67	1,17,34,35,51,68

- IF LEAD FREE P/N, THE HOUSING WILL WITHSTAND EXPOSURE TO 260° C PEAK TEMPERATURE FOR 10 SECONDS IN A WAVE SOLDER APPLICATION WITH A 1.00MM MINIMUM THICK CIRCUIT BOARD.
- LEAD FREE PRODUCT MEETS EUROPEAN UNION DIRECTIVES AND OTHER COUNTRY REGULATIONS AS DISCRIBLED IN GS-22-008
- IF LEAD FREE P/N, PACKAGE MEETS GS-14-1090 SPECIFICATION



Copyright FCI.

www.fciconnect.com			surface 6.4/	tolerance std	projection			
			Iso 1302	Iso406 Iso 1101		--		
			TOLERANCES UNLESS OTHERWISE SPECIFIED					
Dr	MIKE ZHOU	11/20/06	ANGULAR	LINEAR	0.X	± 0.3	size A4	Scale 1.000
Eng	MIKE ZHOU	11/20/06			0.XX	± 0.15		
Chr	QIN DAVID	11/20/06	0°	± 2°	0.XXX	± 0.05	ECN	N10-0205
Appr	WANG JACK	11/20/06	Product family PCMCIA			Spec ref *		
		title PCMCIA ASS'Y ( 5V )			dwg no 10074595		Rev. J	
		catalog no *			CUSTOMER		sheet 2 of 4	

1

2

3 PDM: Rev:J

STATUS: Released

4 Printed: Nov 17, 2010

1

2

3

4

PRODUCT NO.  
10074595-001LF/000MLF

A

A

B

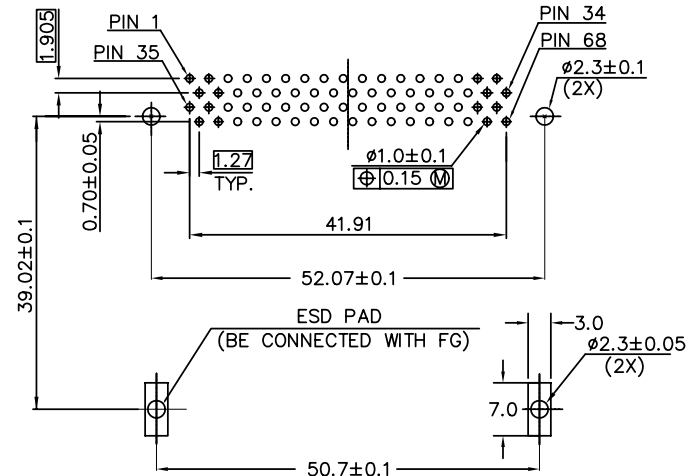
B

C

C

D

D



4 CARD INSERTION DIRECTION  
RECOMMENDED FOOT PRINT(MOUNTED SIDE)



Copyright FCI.

www.fciconnect.com			surface 6.4/	tolerance std	projection			
			iso 1302	iso406 iso 1101		-		
			TOLERANCES UNLESS OTHERWISE SPECIFIED					
Dr	MIKE ZHOU	11/20/06	ANGULAR	LINEAR	0.X	± 0.3	size A4	Scale 1.000
Eng	MIKE ZHOU	11/20/06			0.XX	± 0.15		
Chr	QIN DAVID	11/20/06	0°	±2°	0.XXX	± 0.05	ECN	N10-0205
Appr	WANG JACK	11/20/06	Product family PCMCIA			Spec ref *		
	title PCMCIA ASS'Y ( 5V )				dwg no 10074595		Rev. J	
catalog no			*			CUSTOMER	sheet 3 of 4	

REV F - 2006-04-17

1

2

3 PDM: Rev:J

STATUS: Released

4 Printed: Nov 17, 2010

1

2

3

4

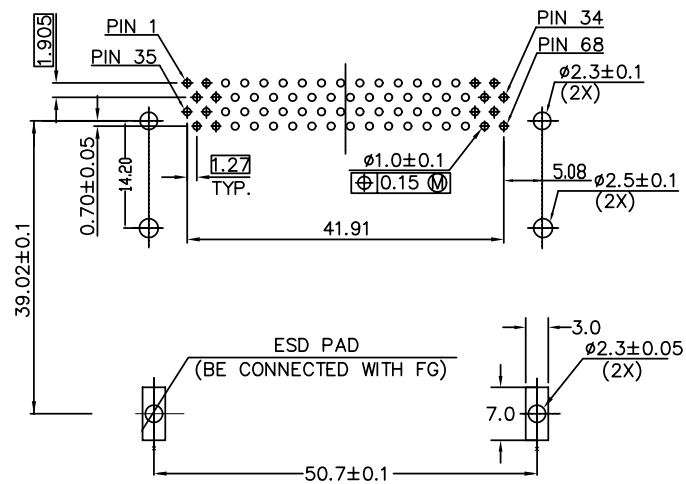
PRODUCT NO.  
10074595-051MLF/050MLF

A

B

C

D



4 CARD INSERTION DIRECTION  
RECOMMENDED FOOT PRINT(MOUNTED SIDE)

A

B

C

D



Copyright FCI.

www.fciconnect.com			surface Iso 1302	6.4 √	tolerance std Iso406 Iso 1101	projection --	TOLERANCES UNLESS OTHERWISE SPECIFIED	
Dr	MIKE ZHOU	11/20/06	ANGULAR	LINEAR	0.X	± 0.3	size A4	Scale 1.000
Eng	MIKE ZHOU	11/20/06			0.XX	± 0.15		
Chr	QIN DAVID	11/20/06			0.XXX	± 0.05		
Appr	WANG JACK	11/20/06	0°	±2°	Product family PCMCIA		ECN N10-0205	Spec ref *
		title PCMCIA ASS'Y ( 5V )			dwg no 10074595		Rev. J	
catalog no					*	CUSTOMER	sheet 4 of 4	

REV F - 2006-04-17

1

2

3 PDM: Rev:J

STATUS: Released

4 Printed: Nov 17, 2010