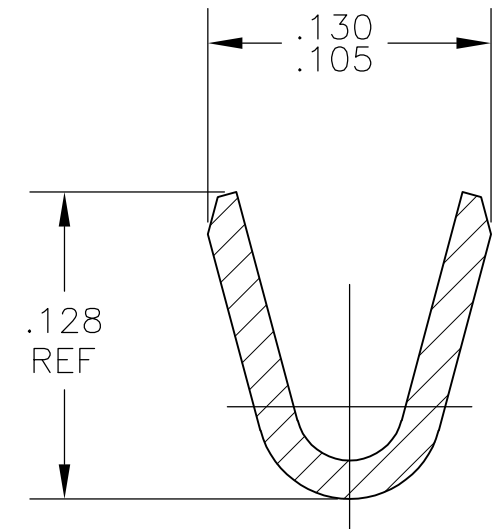
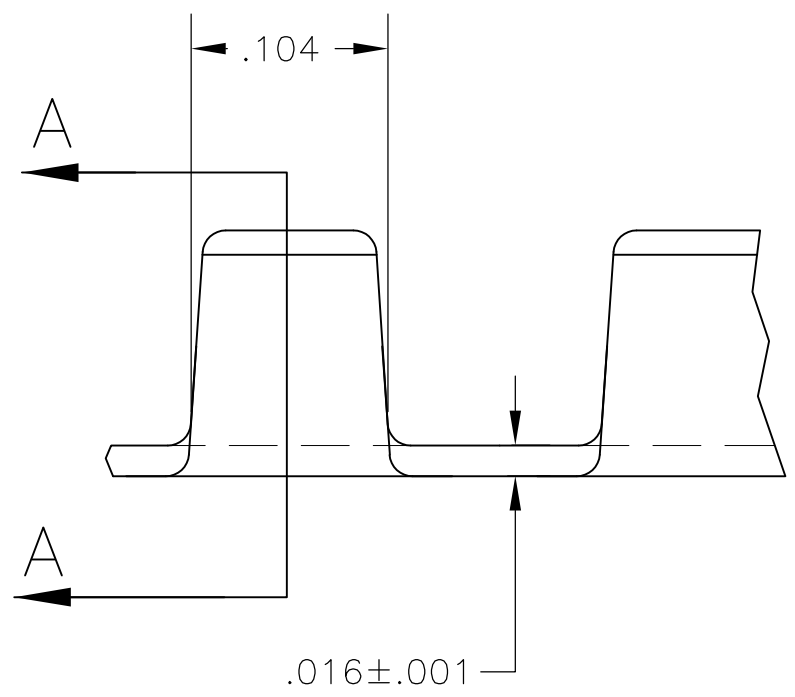
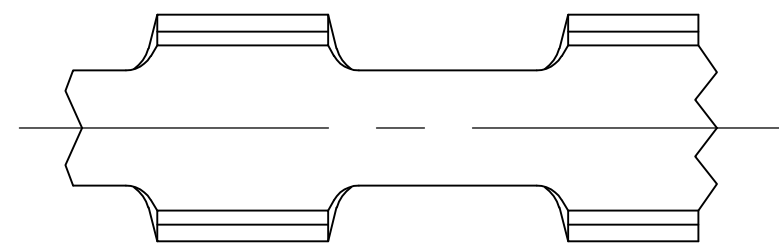


THIS DRAWING IS UNPUBLISHED. RELEASED FOR PUBLICATION
 © COPYRIGHT - BY TYCO ELECTRONICS CORPORATION. ALL RIGHTS RESERVED.

LOC	DIST	REVISIONS					
AF	50	P	LTR	DESCRIPTION	DATE	DWN	APVD
			D	REVISED PER ECR-08-030838	30MAR09	HMR	GP

- 1 PRODUCT PROVIDED IN CONTINUOUS (BREAK FREE) STRIP FORM ON REELS.
- 2 WIRE RANGE: 1400 TO 2800 CMA



SECTION A-A

61008-1
PART NO

THIS DRAWING IS A CONTROLLED DOCUMENT.		DWN RAGHAVENDRA 27FEB07	Tyco Electronics Corporation Harrisburg, Pa 17105-3608	
DIMENSIONS: INCHES	TOLERANCES UNLESS OTHERWISE SPECIFIED:	CHK G.D.PORTA 27FEB07	NAME	
	0 PLC ± -	APVD G.D.PORTA 27FEB07	SPLICE	
	1 PLC ± -	PRODUCT SPEC	-	
MATERIAL STEEL	FINISH TIN	2 PLC ± -	APPLICATION SPEC	SIZE
		3 PLC ± .010	114-2088	CAGE CODE
		4 PLC ± -	WEIGHT	DRAWING NO
		ANGLES ± -	-	A300779
			CUSTOMER DRAWING	C-61008
			SCALE 10:1	RESTRICTED TO
			SHEET 1 OF 1	REV D