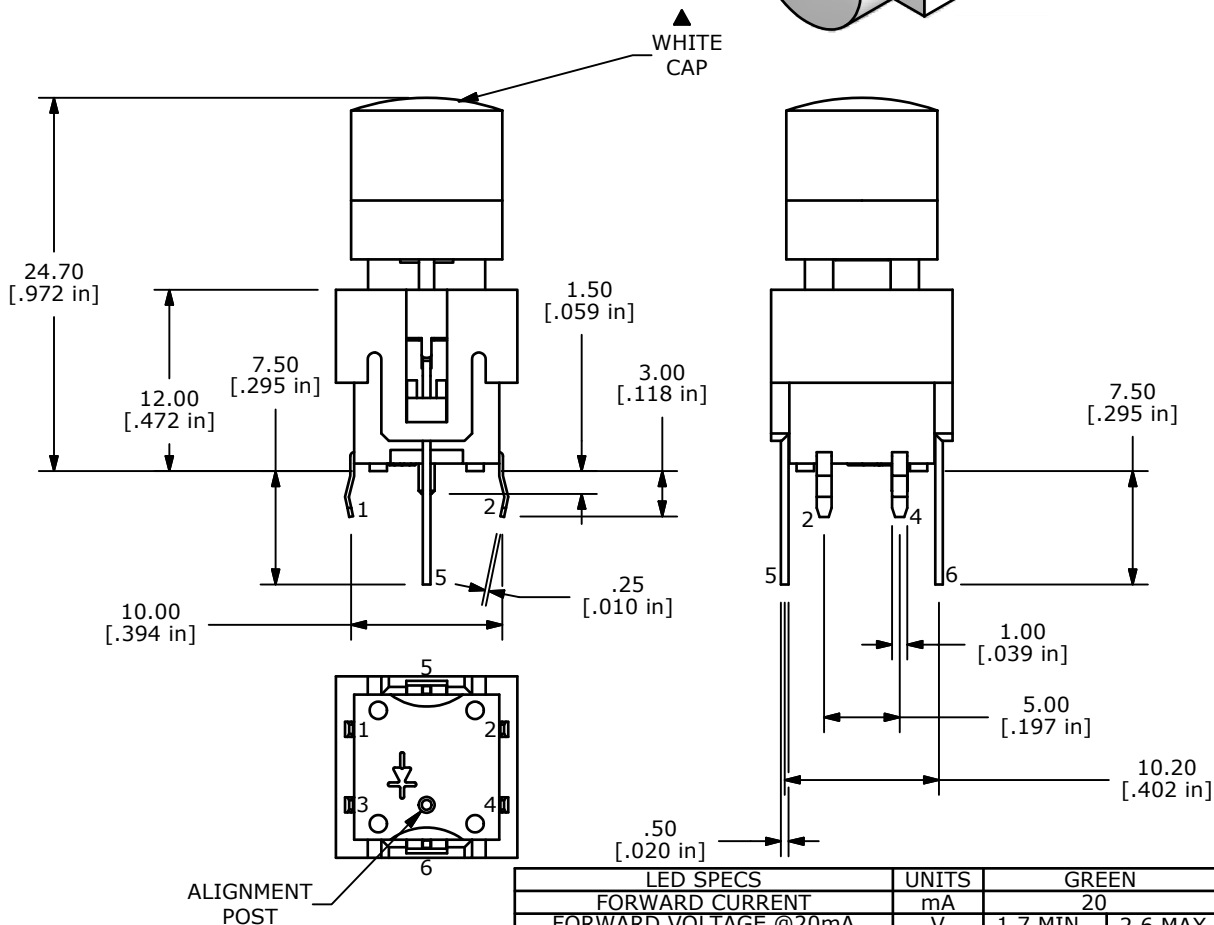


NOTES:

1. ALL DIMENSIONS IN MM [INCH]
2. GENERAL TOLERANCE: X.X=±0.4
X.XX=±0.25
3. RATING: 20VDC @ 1mA
4. CONTACT RESISTANCE: 200Ω MAX.
5. INSULATION RESISTANCE: 100MΩ MIN. @ 100VDC.
6. OPERATING FORCE: 125± 35gf
7. TRAVEL: 1.3 +/- 0.3 mm
8. OPERATING TEMPERATURE: -20°C TO 70°C
9. OPERATING LIFE: 300,000 CYCLES
10. LED: GREEN
11. ▲ DENOTES CRITICAL PARAMETERS
12. 2002/95/EC (ROHS) COMPLIANT
13. CONTACT MATR'L: GOLD FLASH OVER NICKEL



LED SPECS	UNITS	GREEN
FORWARD CURRENT	mA	20
FORWARD VOLTAGE @20mA	V	1.7 MIN. 2.6 MAX.
LUMINOUS INTENSITY @ 20mA	mcd	120 TYP.

REV	PCR NO	DESCRIPTION	DATE	BY
C	20506	Added Note For Gold Flash Over Nickel	3/2/2012	MM
B	19590	UPDATE PCB LAYOUT	1/17/11	BGL
A	18913	Release For Production	3/3/10	BLR

E-SWITCH™				
TITLE LP15R1WHTGRN-N				
SCALE	DATE	DR	DWG	REV
2 : 1	3/3/2010	BLR	B270005	C

THE INFORMATION CONTAINED IN THIS DOCUMENT IS PROPRIETARY TO E-SWITCH AND IS NOT TO BE COPIED OR TRANSFERRED