

TIL, TIG, TIH, TII-Series



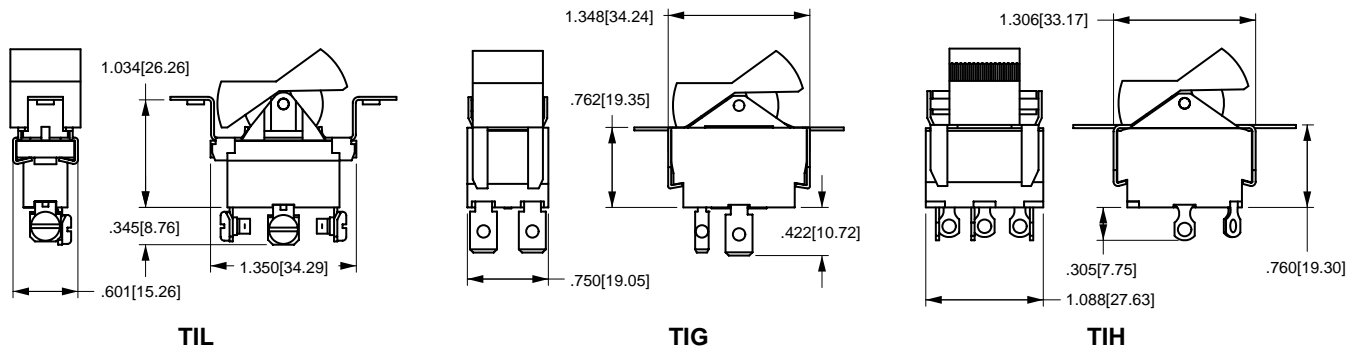
The TI-Series Tippette rocker switches are available in single pole (TIL), double pole (TIG), three pole (TIH) and four pole (TII) versions. These switches are available with nylon snap-in or screw-type mounting brackets, are AC rated to 20 amps and suitable for low voltage DC applications. Multiple actuator options and colors are available, and many circuits have international approvals.

Specifications

- Certifications*: UL, CSA, and VDE
- Dielectric Strength: 1,000 V (minimum)
- Insulation Resistance: 100 Megohms (minimum)
- Base Material: Phenolic
- Actuator Material: Nylon
- Bracket/Bezel Material: Nylon or Steel

* Due to ongoing technological advances, consult factory for certification specifics.

Dimensional Specifications: in. [mm]



| SERIES | CIRCUIT | RATING ¹ | ACTUATOR STYLE ² | ACTUATOR COLOR ³ | BRACKET STYLE ⁴ |
|------------------------|-----------------------------------|--------------------------|--|-----------------------------|----------------------------|
| TIL SINGLE POLE | SINGLE POLE | 5 10A 250VAC | 1C CROSS SERRATED | BL BLACK | |
| TIG DOUBLE POLE | A ON-NONE-OFF | 15A 125VAC | 1F SMOOTH W/ FLATTED CENTER | WH WHITE | |
| TIH THREE POLE | B ON-NONE-ON | 3/4HP 125-250VAC | 1L LONG LINED | | |
| TII FOUR POLE | C ON-OFF-ON | 6 3A 250VAC | 1S SMOOTH ANGLED | | |
| | | 6A 125VAC | 2L LONG NARROW | | |
| | DOUBLE, THREE OR FOUR POLE | 1/4HP 125-250VAC | SMOOTH | | A |
| | K ON-NONE-OFF | 9 10A 250VAC | 6M⁵ MATTE CURVED (M, N OR W BRACKETS ONLY) | | B |
| | L ON-NONE-ON | 15A 125VAC | SMOOTH CURVED (M, N OR W BRACKETS ONLY) | | C |
| | M ON-OFF-ON | 12(6)A 250VAC T85 | 7N WITCHES HAT (NARROW) | | H |
| | | 72 20A 125-277VAC | 7P WITCHES HAT | | FN NARROW |
| | | 1 1/2HP 125VAC | 7S TOGGLE | | FW WIDE |
| | | 2HP 250VAC | | | MBL MARINE |
| | | | | | NBL |
| | | | | | WBL WATERSHEDDING |

| FUNCTION | SOLDER LUG | .250 TAB (QC) | .187 TAB (QC) | SCREW TERM. | WIRE LEAD | PC TERM. |
|---------------|------------|---------------|---------------|-------------|-----------|----------|
| ON-NONE-OFF | 0 | 1 | 3 | 4 | 5 | 6 |
| (ON)-NONE-OFF | A | B | D | E | F | G |
| ON-NONE-(OFF) | L | M | R | S | T | U |
| ON-NONE-ON | 0 | 1 | 3 | 4 | 5 | 6 |
| ON-NONE-(ON) | A | B | D | E | F | G |
| ON-OFF-ON | 0 | 1 | 3 | 4 | 5 | 6 |
| ON-OFF-(ON) | A | B | D | E | F | G |
| (ON)-OFF-(ON) | L | M | R | S | T | U |

NOTES:
 Shading indicates standard configurations.
 Dust covers for single and double pole are available, consult factory.
 Panel Cut-Out Recommendations: For sheet metal panels, switch must enter panel in same direction as the punch. (Burr on bottom.) Test cut hole in actual material.

1 Horsepower rating for code 5 is applicable to certain circuits only. Consult factory for specifics.
 Rating Code 9 for TIG-Series only with maintained A, B, K, L and M Circuits, and N Bracket Style, terminals 0 or 1 only.
 Rating Code 72 for TIG-Series only, in maintained circuits, with N or W Bracket Style only.

2 For double actuator with or without interlock or other actuator styles, consult factory.
 Imprinting available on smooth face rockers.

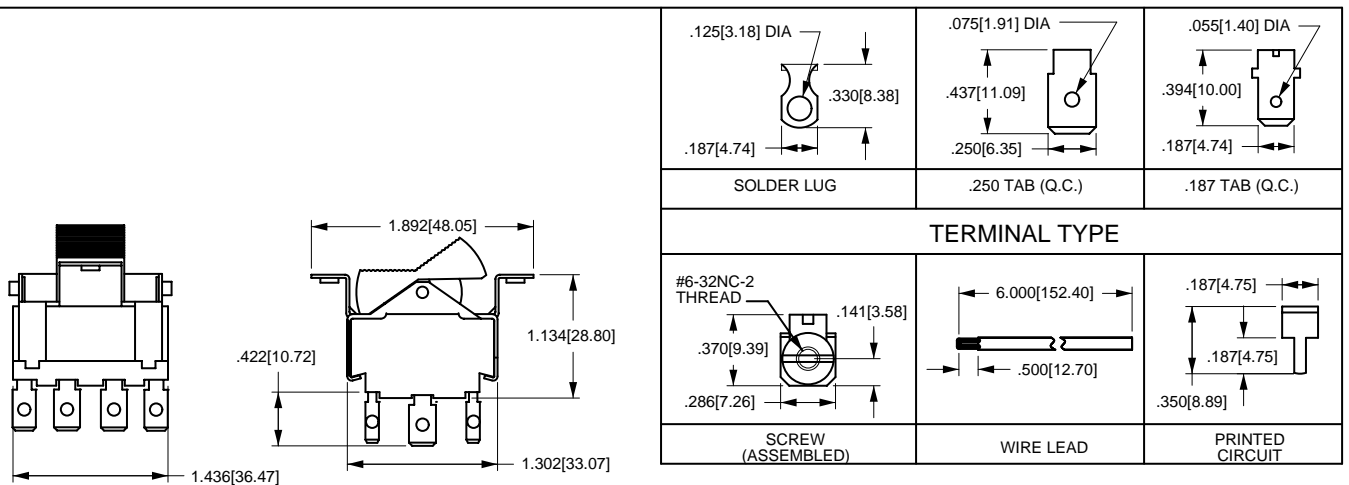
3 Glossy finish is standard. Custom colors are available. Consult factory.

4 Barbs are available on FN style bracket to accommodate panel thicknesses of .062, .100, .125, .156 and .250. Specify after bracket selection. (ex.) FN/.125
 MBL, NBL & WBL brackets are molded in black. If white is desired, specify as MWH, NWH & WWH.
 Bracket Styles D, E and G available. Consult factory.
 Bracket Style M consists of LNP rocker, neoprene seal, syntech grease, dummy rivets. M, N and W brackets supplied in two pole bases.
 MBL does not have UL, CSA approvals.
 Bracket style H available with actuator styles 7N and 7P only.

5 Actuator & Bracket Finish is a matched set.

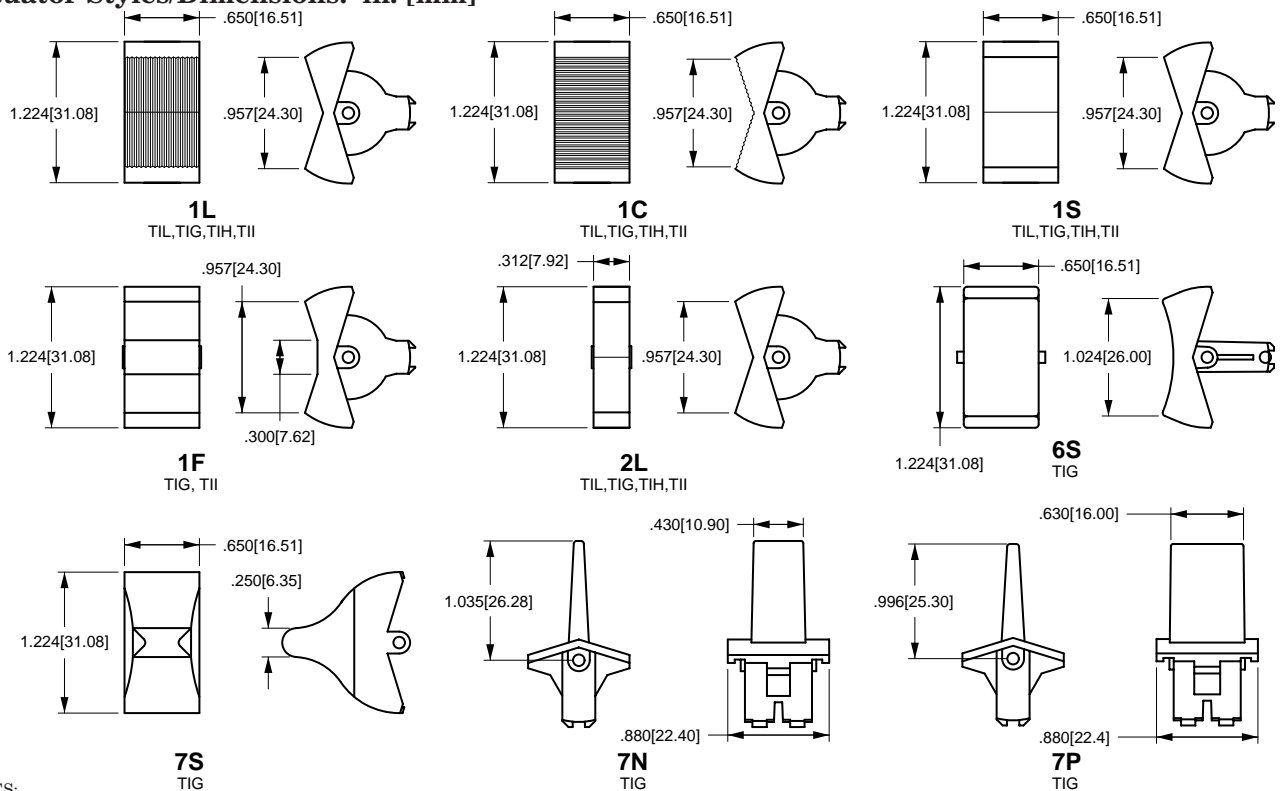
Special Circuits for Tippette Rocker Switches

| CIRCUIT | POSITION 1 | POSITION 2 | POSITION 3 |
|------------------------------------|--------------------|------------------|--------------|
| PROGRESSIVE TWO CIRCUIT | | | |
| GG | BOTH CIRCUITS ON | ONE CIRCUIT ON | OFF |
| GG | BOTH CIRCUITS (ON) | ONE CIRCUIT ON | OFF |
| SINGLE POLE TRIPLE THROW | | | |
| GE | ON | ON | ON |
| TWO CIRCUIT | | | |
| GH | CIRCUIT 1 ON | BOTH CIRCUITS ON | CIRCUIT 2 ON |
| GP | CIRCUIT 2 ON | CIRCUIT 1 ON | OFF |
| REVERSING DOUBLE POLE DOUBLE THROW | | | |
| GO | ON | OFF | ON |
| GX | ON | NONE | ON |



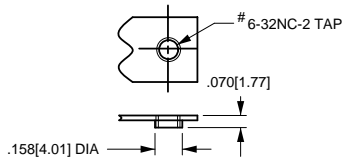
TII

Actuator Styles/Dimensions: in. [mm]



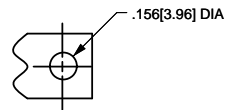
NOTES:
Additional momentary circuits are available. Consult factory for details.

Bracket Dimensions: in. [mm]



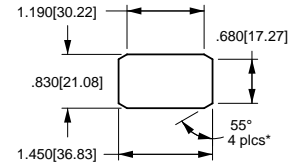
TAPPED HOLE

Standard with
A & B Brackets



CLEARANCE HOLE

Standard with
C Bracket

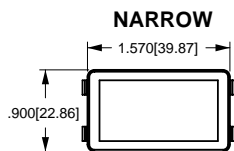


MOUNTING HOLE

(Nylon Snap-in Brackets)

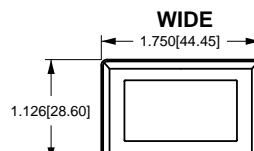
Panel Thickness:
.030 min. - .250 max.
* Angled corners are suggested for
optimum fit. Standard rectangular
cutout is acceptable.

| TIL | TIG | TII | TIH |
|--|---|--|--|
| <p>1.940[49.27] .078[1.98] 1.625[41.27] A TIL</p> | <p>1.940[49.27] .078[1.98] 1.625[41.27] A TIG</p> | <p>1.892[48.06] .078[1.98] 1.625[41.27] A TII</p> | <p>1.960[49.78] .078[1.98] 1.625[41.27] A TIH</p> |
| <p>2.093[53.16] .156[3.96] 1.625[41.27] B TIL</p> | <p>2.090[53.08] .156[3.96] 1.625[41.27] B TII, TIG</p> | | |
| <p>1.875[47.62] .520[13.21] 1.625[41.27] C* TIL</p> | <p>1.940[49.27] .426[10.82] 1.625[41.27] C TIG</p> | <p>2.062[52.37] .426[10.82] 1.625[41.27] C TIH, TII</p> | |
| | <p>1.950[49.53] 1.350[34.29] 1.625[41.27] H TIG</p> | <p>1.700[43.18] .960[24.38] 1.570[39.88] .430[10.92]</p> <p>GCP / GMP GLOSS FINISH / MATTE FINISH HOLE PLUG FOR TIL, TIG, TIH & TII</p> | |



FN

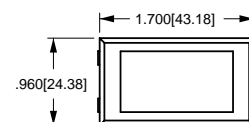
TIL, TIG, TIH, TII
METAL, SNAP-IN



FW

TIL, TIG, TIH, TII
METAL, SNAP-IN

MARINE / STD / WATERSHEDDING



MBL, NBL, WBL

TIG
BLACK NYLON, SNAP-IN

NOTES

Double brackets supplied on TII-Series when B style bracket is specified. Consult factory for dimensional information.

* Available in both clearance and tapped hole options. Please specify when ordering.