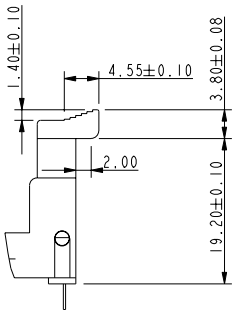
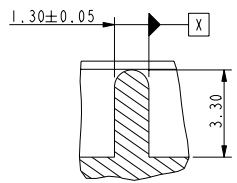


SCALE 1.000



DETAIL C
SCALE 1.000



SECTION B-B
SCALE 3.500

tolerances unless otherwise specified		
linear	.X	±0.38
	.XX	±0.25
	.XXX	±0.13
angles	X°	±2°

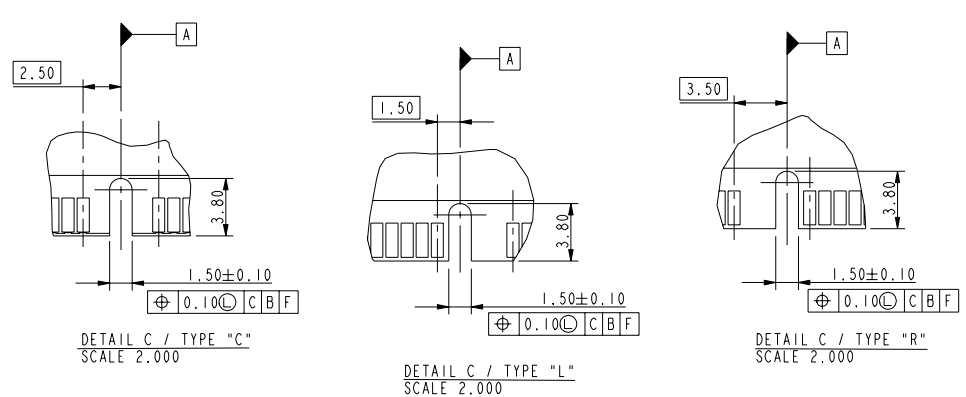
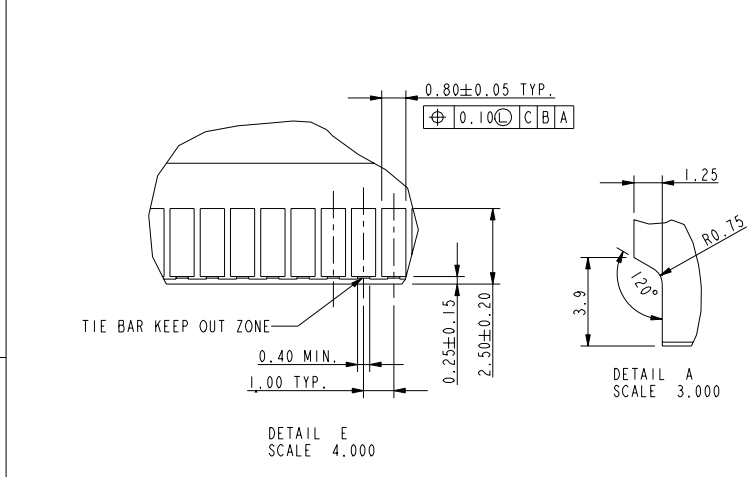
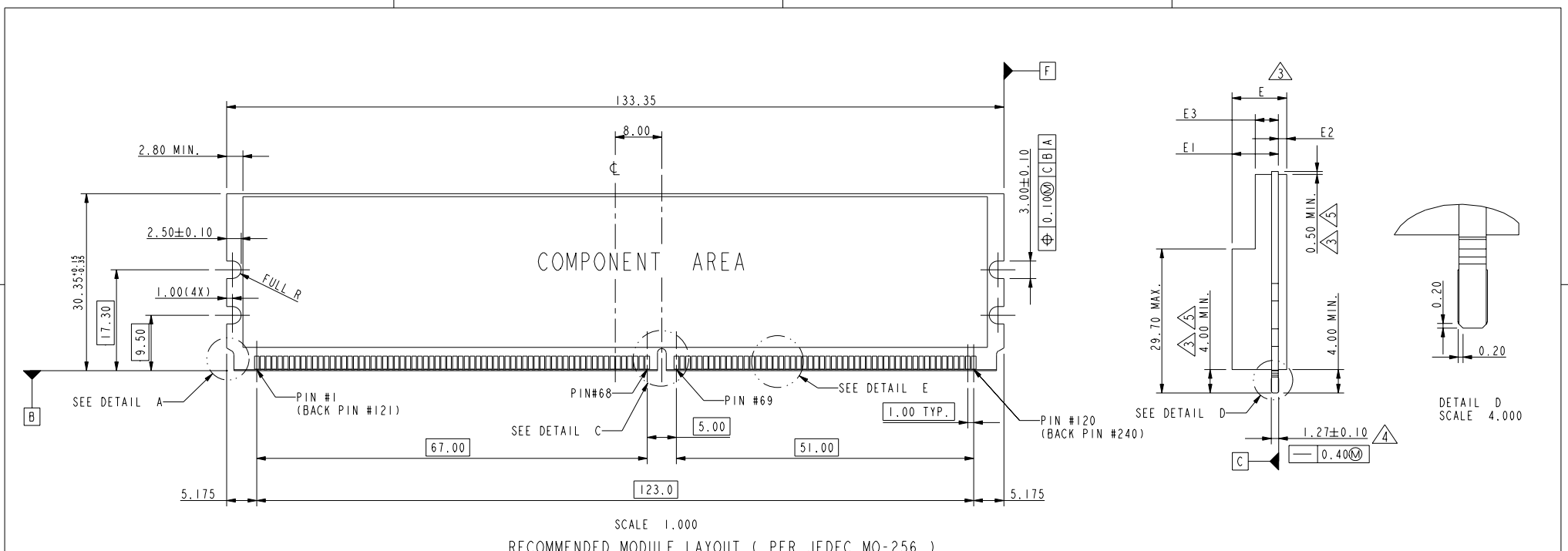
Mark with 10037402 REV. P in area indicated by X....			
rev	ecn no	dr	date
P	DG06-0209	C S	05/30/06
-	-	-	-
-	-	-	-
-	-	-	-
-	-	-	-
-	-	-	-

Material		Spec ref	
Mat code		tolerance	
Heatreat		projection	
Plating/Finish		size	
Dr	CHARLIE S	05/30/06	A4
Eng	CHARLIE S	05/30/06	Scale 0.500
Chr	BEER FU	05/30/06	Product family
Appr	JOESPH HSIA	05/30/06	Model Name 10037402
Model Revision			ECN DG06-0209
REL Level			
title		dwg no	
DDR11 240P, FBDIMM		10037402	
Pro/E file		Rev. P	
catalog		CUSTOMER DRAWING	

FCI CONFIDENTIAL



This document is the property of and embodies CONFIDENTIAL and PROPRIETARY information of FCI. No part of the information shown on this document may be used in any way or disclosed to others without the written consent of FCI. Copyright FCI.



tolerances unless otherwise specified		
linear	.X	±0.38
	.XX	±0.15
	.XXX	±0.13
angles	X°	±2°

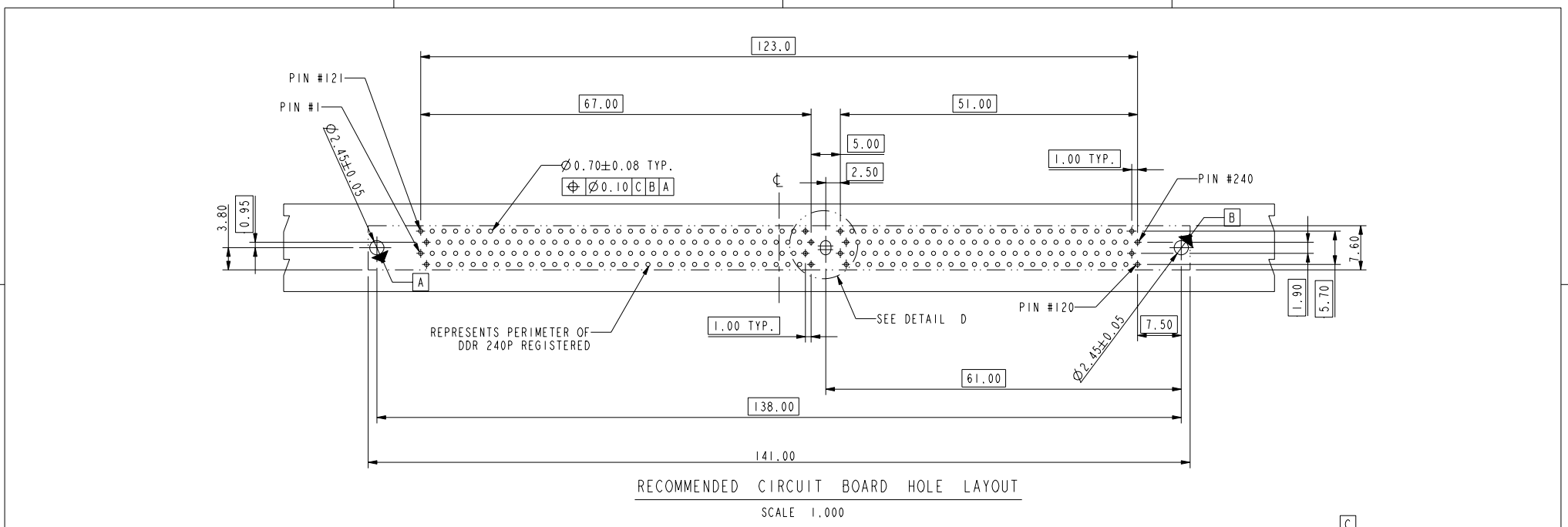
TYPE R	X.X VOTAGLE	6.80	1.40	2.80	8.20	6.80	3.00	4.40	9.80
TYPE L	2.5 VOLTAGE	6.80	1.40	2.80	8.20	6.80	3.00	4.40	9.80
TYPE C	1.8 VOLTAGE	6.80	1.40	2.80	8.20	6.80	3.00	4.40	9.80
SUB KEY POS. #1	DESCRIPTION	DIM. E1 MAX.	DIM. E2 MAX.	DIM. E3 MAX.	DIM. E MAX.	DIM. E1 MAX.	DIM. E2 MAX.	DIM. E3 MAX.	DIM. E MAX.
		TYPE 1				TYPE 2			

Mark with 10037402 REV. P in area indicated by X....		Material Mat code Heatreat Plating/Finish		Spec ref	
Dr CHARLIE S 05/30/06		Eng CHARLIE S 05/30/06		tolerance projection	
Chr BEER FU 05/30/06		Appr JOESPH HSIA 05/30/06		size A4	
Product family		Model Name 10037402		Scale 0.500	
Model Revision		REL Level		ECN DG06-0209	
FCI title DDR11 240P, FBDIMM		dwg no 10037402		Rev. P	
Pro/E file catalog		PDM: Rev:P		STATUS Released	

FCI CONFIDENTIAL



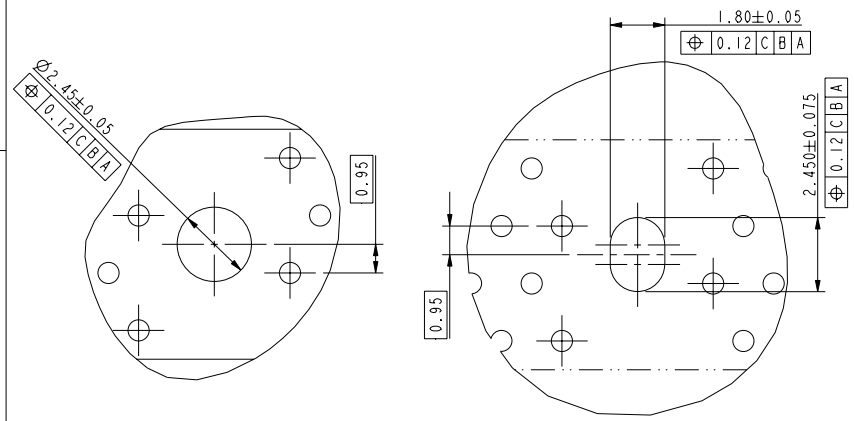
This document is the property of and embodies CONFIDENTIAL and PROPRIETARY information of FCI. No part of the information shown on this document may be used in any way or disclosed to others without the written consent of FCI. Copyright FCI.



DETAIL D
SCALE 4.000

OPTION 1
CENTER ROUND HOLE

OPTION 2
CENTER SLOT



tolerances unless otherwise specified		
linear	.X	±0.38
	.XX	±0.25
	.XXX	±0.13
angles	X°	±2°

Mark with 10037402 REV. P in area indicated by X.....				Material		Spec ref	
				Mat code		tolerance	
				Heat treat		projection	
				Plating/Finish		size	
rev	ecn no	dr	date	Dr	05/30/06	Product family	A4
P	-	-	-	Eng	CHARLIE S	05/30/06	Scale
-	-	-	-	Chr	BEER FU	05/30/06	0.500
-	-	-	-	Appr	JOESPH HSIA	05/30/06	Model Name
-	-	-	-			10037402	ECN
-	-	-	-			Model Revision	DG06-0209
-	-	-	-			REL Level	

FCI	title		10037402		Rev. P
	Pro/E file		catalog		
DDR11 240P, FBDIMM			10037402		
PDM: Rev:P			CUSTOMER DRAWING		sheet 3 of 4



10037402-□ □ □ □ □

STYLE : MECHANICAL KEYING

- 1 : 1.8 VOLT. W/TYPE "C"
- 2 : 2.5 VOLT. W/TYPE "L"
- 3 : X.X VOLT. W/TYPE "R"

METAL CLIP
(WITH NI 1.27 um MIN. PLATING)

- 1 : WITH METAL CLIP + DIM."D"=3.05
- 2 : WITH METAL CLIP + DIM."D"=3.56
- 3 : WITH METAL CLIP + DIM."D"=3.43

TAIL LENGTH

CODE	DIM. "B"	PCB THICKNESS
0	2.54	1.47 mm (0.058")
1	2.67	1.60 mm (0.063")
2	3.18	2.36 mm (0.093")
3	4.00	3.18 mm (0.125")

PLATING

CODE	CONTACT	SOLDERTAIL	UNDERPLATE
2	15 u"(0.38um) MIN. GOLD	100u"(2.54um) MIN. TIN/LEAD	50u"(1.27um) MIN. NICKEL OVERALL
3	30u"(0.76um) MIN. GOLD		
4	3u"(0.076um) MIN. GOLD	100u"(2.54um) MIN. 100% TIN	50u"(1.27um) MIN. NICKEL OVERALL
7LF	15u"(0.38um) MIN. GOLD		
8LF	30u"(0.76um) MIN. GOLD	100u"(2.54um) MIN. 100% TIN	50u"(1.27um) MIN. NICKEL OVERALL
9LF	3u"(0.076um) MIN. GOLD		
2N	15 u"(0.38um) MIN. GOLD	100u"(2.54um) MIN. TIN/LEAD	90u"(2.29um) MIN. NICKEL OVERALL
3N	30 u"(0.76um) MIN. GOLD		
4N	3 u"(0.076um) MIN. GOLD	100u"(2.54um) MIN. 100% TIN	90u"(2.29um) MIN. NICKEL OVERALL
7NLF	15 u"(0.38um) MIN. GOLD		
8NLF	30 u"(0.76um) MIN. GOLD	100u"(2.54um) MIN. 100% TIN	90u"(2.29um) MIN. NICKEL OVERALL
9NLF	3 u"(0.076um) MIN. GOLD		

COLOR OF HOUSING AND EJECTOR

- 0 : BLACK HOUSING + IVORY EJECTOR
- 1 : BLUE HOUSING + IVORY EJECTOR
- 2 : BLACK HOUSING + BLACK EJECTOR
- 3 : IVORY HOUSING + IVORY EJECTOR

NOTE:

1. MATERIAL:
HOUSING: HIGH PERFORMANCE RESINS, GLASS FILLED UL94V-0 RATED.
EJECTOR: HIGH PERFORMANCE RESINS, GLASS FILLED UL 94V-0 RATED.
TERMINAL : COPPER ALLOY.
METAL CLIP: COPPER ALLOY.
2. PRODUCT SPECIFICATION: GS-12-300.
DIMENSIONS APPLICABLE WHEN COMPONENTS MOUNTED ON ONE OR BOTH SIDES.
CARD THICKNESS APPLIES ACROSS TABS AND INCLUDES PLATING AND/OR MEALIZATION STRAIGHTNESS CALLOUT APPLIES TO ZONE DEFINED BY THE 4.00 CONTACT AREA DIMENSION FOR THE ENTIRE LENGTH OF 133.35.
BOARD OF COMPONENT AREA.
3. LATCH DESIGN INCLUDES COMPLEMENTARY FEATURE TO ACCOMMODATE MODULE END NOTCHES AS DEFINED IN DETAIL A OF P.2 AND AS SPECIFIED IN MO-256.
7. THIS PRODUCT MEETS EUROPEAN UNION DIRECTIVES AND OTHER COUNTRY REGULATIONS AS DESCRIBED IN GS-22-008.
8. THE HOUSING WILL WITHSTAND EXPOSURE TO 260°C PEAK TEMP. FOR 10 SECONDS IN A WAVE SOLDER APPLICATION
9. 10037402-XXXXX(L)LF SERIES ARE FOR LEAD-FREE OPTIONS.
10. DATE CODE:XXXXXX* SHOWS DAY/MONTH/YEAR."*" MEANS PRODUCTION LINE CODE.
EX:122505 MEANS 12/25/2005.WILL BE PRINTED ON SOCKET.

TOLERANCES UNLESS OTHERWISE SPECIFIED		
LINEAR	0.X	±0.3
	0.XX	±0.15
	0.XXX	±0.100
ANGULAR	0°	±2°

Mark with 10037402 REV. P in area indicated by X.....		Material Mat code Heatreat Plating/Finish		Spec ref tolerance projection size A4		MM Scale 0.500	
Dr	CHARLIE S	05/30/06	Eng	CHARLIE S	05/30/06	Product family	
Chr	BEER FU	05/30/06	Appr	JOESPH HSIA	05/30/06	Model Name	10037402
rev		ecn no	dr	date	Model Revision		REL Level
P	-	-	-	-	Model Revision		REL Level
-	-	-	-	-	Model Revision		REL Level
-	-	-	-	-	Model Revision		REL Level
-	-	-	-	-	Model Revision		REL Level
-	-	-	-	-	Model Revision		REL Level
FCI		title		10037402		Rev. P	
Pro/E file		catalog		DDR11 240P, FBDIMM		10037402	