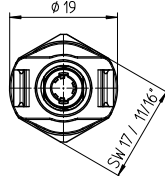
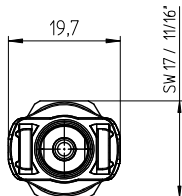
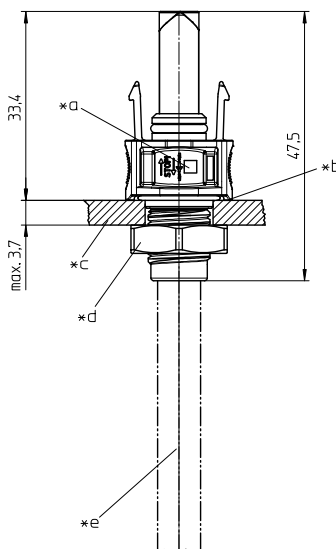
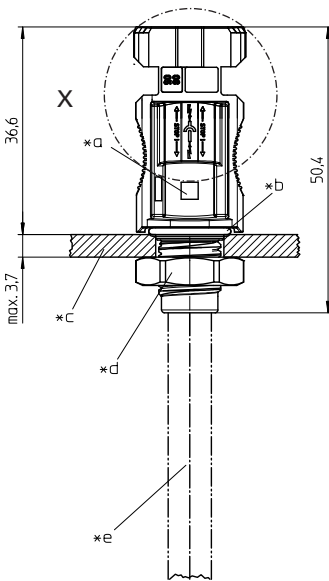




LC4-CP 10



LC4-CP 11



LC4-CP 10
LC4-CP 11

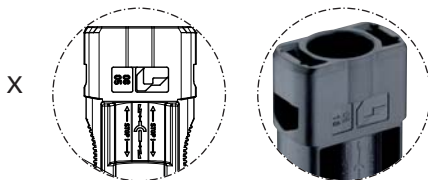
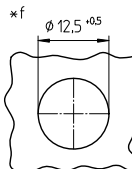
LC4® photovoltaic chassis receptacle, with integrated locking and crimp contact, for front mounting

LC4-CP 10: plug

LC4-CP 11: socket

1. Temperature range	-40 °C/+85 °C (IEC) -40 °C/+90 °C (UL) (+110 °C upper limit temperature)
2. Materials	Insulating body Contact pin/bush Seal Hexagonal nut
3. Mechanical data	Insertion force ¹ ≤ 20 N Withdrawal force ¹ ≥ 10 N Retaining force of locking latches ² ≥ 90 N Mating cycles ² 50 Tightening torque nut 0.8–1.1 Nm Mating with photovoltaic connectors LC4 IP 68 Protection degree ³ IP 68
Connectable conductors crimp terminal	stranded wire, insulated ⁴
Section LC4-CP 1... 2.5	2.5 mm ² (AWG 14)
Section LC4-CP 1... 4.0/6.0	4.0 mm ² (AWG 12), 6.0 mm ² (AWG 10)
4. Electrical data (at T_{amb} 20 °C)	
Contact resistance ²	≤ 1 mΩ
Rated current (IEC) ²	
LC4-CP 1... 2.5	22 A at T _{amb} 85 °C
LC4-CP 1... 4.0/6.0	30 A at T _{amb} 85 °C
Rated current (UL) ²	35 A at T _{amb} 20 °C, both
Rated voltage ⁵	1000 V DC (IEC)/600 V DC (UL)
Overvoltage category ⁵	III (8 kV)
Material group ⁵	I (IEC)/0 (UL) (CTI ≥ 600)
Creepage distance/clearance between contact and touchable surface	28.3 mm
Insulation resistance	> 10 GΩ

¹ measured with a polished steel gauge, nominal thickness 4.0 mm
² measured with a proper counterpart according to IEC 60529/DIN EN 60529
³ only in mated condition with a proper counterpart
⁴ IP X8 requirements under agreement between manufacturer and user wire construction preferably according to IEC 60228 class 5, otherwise crimp connection must be tested according to DIN EN 60664/IEC 60664 resp. according to ANSI/UL 746A
⁵



LC4-CP 10 IT

- *a marking + on LC4-CP 1...-1, - on LC4-CP 1...-2
- *b sealing
- *c chassis panel
- *d nut enclosed separately
- *e cable with mounted contact to be inserted into the housing after crimping process*
- *f port

Standard packaging: individual parts in bulk, sorted in plastic bags of 100 pieces, in a cardboard box

