

MH081 SERIES

MICRO HIGH FREQUENCY RF CABLES

SPECIFICATIONS

For complete specifications see www.samtec.com?MH081

Outer Contact Material: Au plated Phosphor Bronze

Center Contact Material: Au plated Phosphor Bronze (MHX)

Insulator Material: PBT (MHX)

PTFE (SMA)

Operating Temperature: -40 °C to +90 °C

Voltage Rating: 170 V max

Dielectric Withstanding Voltage: 200 Vrms

Frequency Range: 0-6 GHz

Impedance: 50 Ω

RoHS Compliant: Yes

0.81 mm Cable:

Impedance: 50 Ω

Capacitance: 100 pF/meter

Max Attenuation (cable only): 3.1 dB @ 1 GHz

Conductor Size: 36 AWG, (0.81 mm) .032" dia.

Conductor Material: Silver Plated Copper

Conductor Resistance: 1.40 Ω/meter max

Insulator Diameter: (0.4 mm) .016"

Insulator Material: FEP

Shield Material: Silver Plated Copper

Jacket Material: PFA

Jacket Diameter: (0.81 mm) .032" dia.

Bend Radius: 5.0 mm

Jacket Temp Rating: -40 °C to +90 °C

RoHS Compliant: Yes

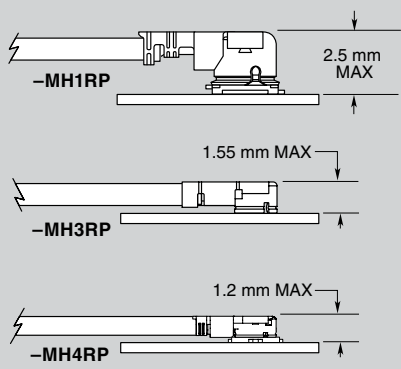
Also Available (MOQ Required)

- Additional stripping and tinning options
- Additional end connector combinations
- Overall lengths
- Contact Samtec.

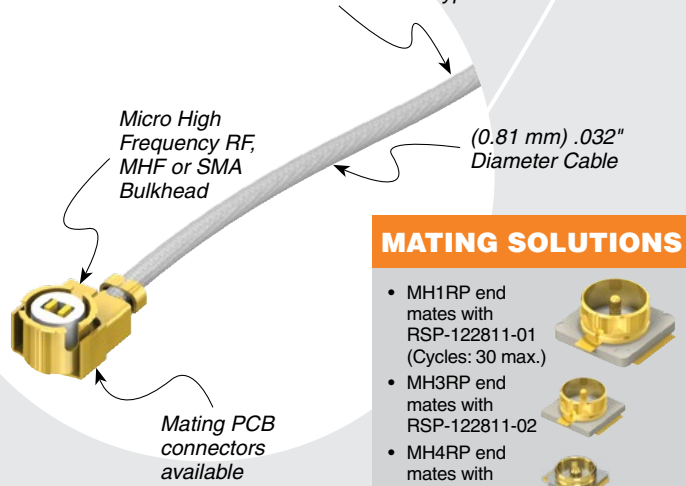
EXTRACTION TOOLS

- -MH1RP = RSP-122893-01
- -MH3RP = RSP-122893-02
- -MH4RP = RSP-122893-03

APPLICATION



U.F.L and W.F.L Types



MATING SOLUTIONS

- MH1RP end mates with RSP-122811-01 (Cycles: 30 max.)
- MH3RP end mates with RSP-122811-02
- MH4RP end mates with RSP-122811-03

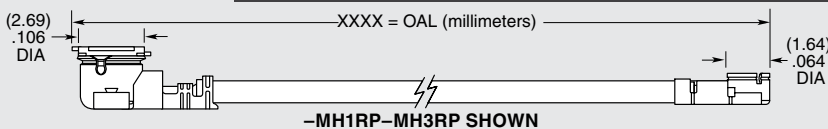
MH081

END 1 CONNECTOR

END 2 CONNECTOR

OVERALL LENGTH

Specify END OPTIONS from chart



-0030
= 1.18" (30 mm)

-0050
= 1.97" (50 mm)

-0100
= 3.94" (100 mm)

-0150
= 5.91" (150 mm)

-0300
= 11.81" (300 mm)

END OPTIONS

| | |
|--|--|
| <p>-MH1RP = MHF1 Type Plug (3.9 μ" (0.1 μm) Gold on Center Contact, 1.9 μ" (0.05 μm) Gold on Shell)</p> | |
| <p>-MH3RP = MHF3 Type Plug (3.9 μ" (0.1 μm) Gold on Center Contact, 1.9 μ" (0.05 μm) Gold on Shell)</p> | |
| <p>-MH4RP = MHF4 Type Plug (10 μ" (0.25 μm) Gold on Center Contact, 1.9 μ" (0.05 μm) Gold on Shell) (End 1 MH4RP only available with End 2 MH4RP)</p> | |
| <p>-01BJ1 = SMA Straight Bulkhead Jack -01BJ2 = SMA Straight Bulkhead Jack, Reversed Polarity -01SB1 = SMA Straight Jack, Sealed Bulkhead -01SR1 = SMA Straight Jack, Sealed Bulkhead, Reversed Polarity (30 μ" (0.76 μm) Gold on Center Contact, Gold Flash on Shell)</p> | |
| <p>-SING = Single Ended (End 2 callout)</p> | |
| <p>XXXXXX = Stripped & Tinned (End 2 callout)</p> | |

STRIPPED & TINNED (Dimensions in mm)

| CALLOUT | A | B | C |
|---------|-----|-----|-----|
| -303030 | 3.0 | 3.0 | 3.0 |
| -303040 | 3.0 | 3.0 | 4.0 |
| -403030 | 4.0 | 3.0 | 3.0 |
| -403040 | 4.0 | 3.0 | 4.0 |
| -404040 | 4.0 | 4.0 | 4.0 |

Both center conductor and braid shield are stripped, only the center conductor is tinned.