

Q85 Series Polarized Retro Sensors

ac/dc sensors with e/m relay output and optional timing logic



- Economical polarized retroreflective sensor in rugged, NEMA-6P (IEC IP67) Cicolac® ABS housings
- Sensing range of 15 feet (4,6 meters) when used with Banner model BRT-3 3" retroreflective target
- Operates from 24 to 240 volts ac or 12 to 240 volts dc; totally self-contained
- SPDT electromechanical relay output device; choice of on/off output or programmable timing logic
- Wiring chamber with two conduit entrances for mounting versatility

LED indicators for OUTPUT ON and LIGHT SENSED (AID™ signal strength indicator system, see text)

Q85s are compact, economical, polarized retroreflective mode photoelectric sensors in rugged NEMA-6P rated ABS housings. They are ideally suited to conveyor control and similar applications. The timing logic functions offered in the "T9" models provide additional control capabilities over and above the basic model's ON/OFF (no delay) function. The special lens of Q85 sensors polarizes the emitted light and filters out unwanted reflections, allowing use in many applications that are otherwise unsuited to retroreflective sensing. The Q85's maximum range of 15 feet (4,6 meters) is obtained using the Banner model BRT-3 3" diameter round retroreflector. All Q85 sensors feature a convenient wiring chamber with two conduit entrances for ease of connection, positioning, and mounting.

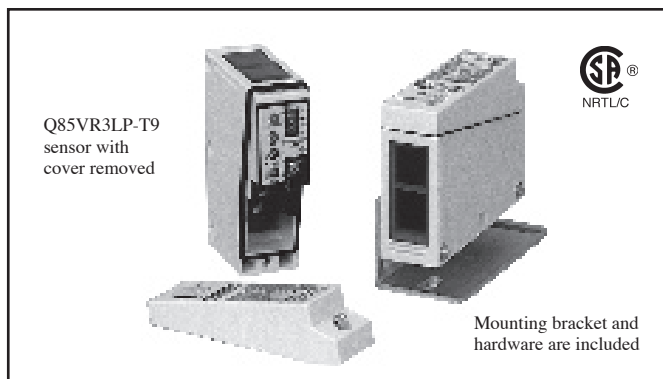
Q85 Series sensors operate from either 24-240V ac or 12-240V dc and draw 2 watts maximum. They have SPDT electromechanical relay output, and are available with a choice of either ON/OFF or programmable timing output logic. Models with programmable timing logic ("T9" models) provide eight switch-selectable logic functions: ON/OFF (no delay), ON delay, OFF delay, ON/OFF delay, one-shot (pulse), on-delayed one-shot, limit timer, and on-delayed limit timer. The adjustable time range for delay functions and pulse length is 0.1 to 5 seconds (see page 2).

Two top-mounted LED indicators are provided. A red indicator (Banner's exclusive, patented AID™ system*) lights whenever the sensor "sees" the reflection of its own modulated light source, and pulses at a rate proportional to the strength of the received light signal. A yellow output indicator lights whenever the Q85's output is energized.

Q85 Series sensors have rugged yellow Cicolac® ABS housings with ultrasonically-welded acrylic lenses. A gasketed ABS cover protects the wiring chamber and the timing and sensitivity adjustment controls. Two 1/2-14 NPSM conduit entrances are provided; a plug and gasket are included for a possible unused entrance. Q85 Series sensors are rated NEMA 1, 2, 3, 3S, 4, 4X, 6, 6P, 12, and 13 (IEC IP67). An 11-gauge plated steel mounting bracket and two plated mounting bolts and nuts (see photo and page 2) are included.

Cicolac® is a registered trademark of General Electric Co.

*Alignment Indicating Device system, US patent number 4356393



Specifications, Q85 Series Polarized Retro Sensors

Sensing range:

3 inches (8 cm) to 15 feet (4,6 meters) when used with Banner model BRT-3 3" reflective target.

Sensing beam: visible red, 680 nanometers (polarized).

Supply voltage: 24 to 240V ac, 50/60 Hz or 12 to 240V dc (2 watts maximum). No polarity for power supply hookup.

Models and Output Configurations:

Q85VR3LP = SPDT e/m relay, on/off output

Q85VR3LP-T9 = SPDT e/m relay, with programmable timer

Output relay specifications:

Maximum switching power (resistive load): 90W, 750VA. Install transient suppressor (MOV) across contacts that switch inductive loads.

Maximum switching voltage (resistive load): 250V ac or 30V dc.

Maximum switching current (resistive load): 3A.

Minimum voltage and current: 5V dc, 10 mA.

Mechanical life: 50,000,000 operations.

Electrical life at full resistive load: 100,000 operations.

Maximum switching speed: 25 operations per second.

Closure time (no timing logic in use): 20 milliseconds max.

Release time (no timing logic in use): 20 milliseconds max.

Repeatability (no timing logic in use): 1 millisecond.

All sensors are protected against false pulse on power-up. (False pulse protection circuit causes a 100 millisecond delay on power-up.)

Adjustments: All models have a single-turn SENSITIVITY control potentiometer, accessible beneath the ABS wiring chamber cover (T9 models also have a light/dark operate switch). Timing logic (T9 models only) is configured at a DIP switch. Pulse length and delay are set by a single-turn potentiometer (accessible under the wiring chamber cover). The adjustable time range for both functions is 0.1 to 5 seconds; both functions are automatically set to the same value.

Status Indicators: LEDs, one red and one yellow, both top-mounted.

Red AID™ system (Alignment Indicating Device, US patent #4356393) indicator LED lights whenever the sensor "sees" its own modulated light, and pulses at a rate proportional to the strength of the light signal.

Yellow indicator lights whenever the sensor's output is energized.

Construction:

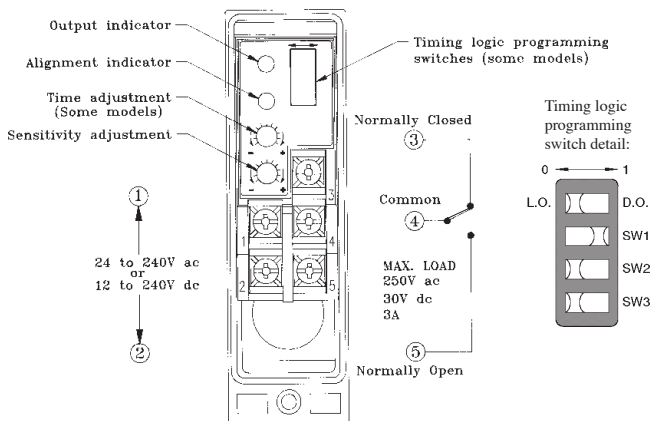
Yellow Cicolac® ABS housing, plated steel hardware. Acrylic lens. ABS cover for wiring/adjustments access. Rated NEMA 1, 2, 3, 3S, 4, 4X, 6, 6P, 12, and 13; IEC IP67. It is the customer's responsibility to maintain NEMA 6P integrity at the conduit entrance(s) in use. Maximum wire size (for connection to wiring terminals) is #14 AWG.

Operating temperature range: -25° to +55°C (-13° to +131°F).

Maximum relative humidity: 90% at 50°C (non-condensing).

Hookup and timing logic selection

Hookup to the ac line and the external load is made at the five terminals inside the wiring chamber (see drawing below). There is no polarity for power supply hookup. Output is an SPDT electromechanical relay.



the single-turn time adjustment potentiometer. When the timing function involves more than one time (as in ON and OFF delay, ON-delayed one-shot, and ON-delayed limit timer functions), the potentiometer sets both times to the same value.

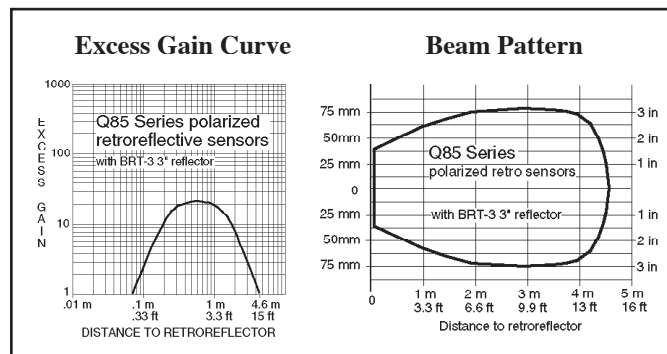
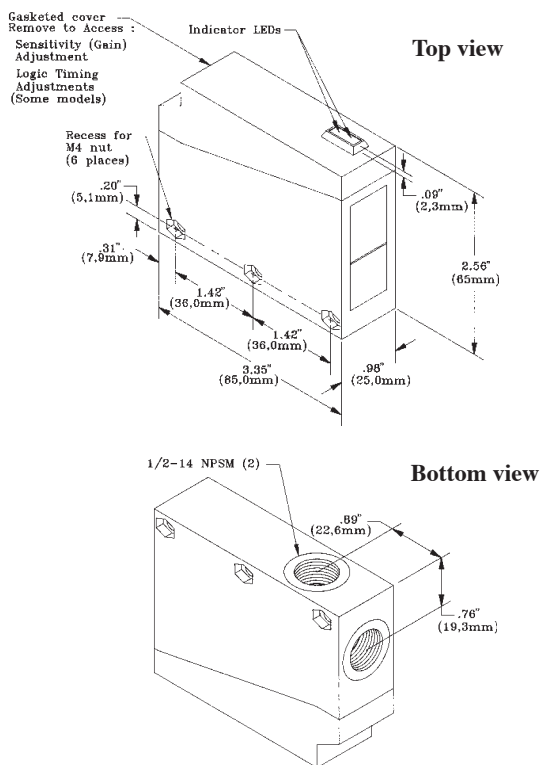
Logic function	Switch:	SW1	SW2	SW3
ON and OFF delays (both)		0	0	0
ON delay (only)		0	0	1
OFF delay (only)		0	1	0
No delays		0	1	1
ON delayed one-shot		1	0	0
ON delayed limit timer		1	0	1
One-shot		1	1	0
Limit timer		1	1	1

The **output timing logic function (on sensor models with T9 model number suffix)** is selected at the timing logic programming switches, according to the table (right). The output timing logic delays are set at

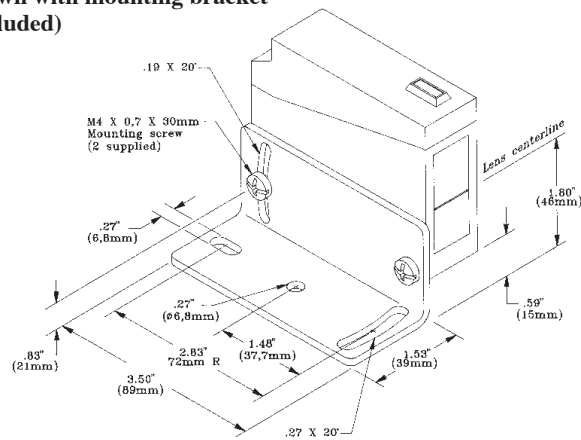
With the light/dark operate switch (T9 models) set to **light operate (L.O.)**, the sensor's electromechanical output relay is energized when the sensor sees the reflection of its own modulated light. In the **dark operate (D.O.)** position, the output is energized when the sensor does not see the reflection of its modulated light source.

Sensor sensitivity is set at the single-turn sensitivity adjustment potentiometer.

Dimensions, Q85 polarized retro sensors



Shown with mounting bracket (included)



WARNING This photoelectric presence sensor does NOT include the self-checking redundant circuitry necessary to allow its use in personnel safety applications. A sensor failure or malfunction can result in either an energized or a de-energized sensor output condition.

Never use this product as a sensing device for personnel protection. Its use as a safety device may create an unsafe condition which could lead to serious injury or death. Only MACHINE-GUARD and PERIMETER-GUARD Systems, and other systems so designated, are designed to meet OSHA and ANSI machine safety standards for point-of-operation guarding devices. No other Banner sensors or controls are designed to meet these standards, and they must NOT be used as sensing devices for personnel protection.

WARRANTY: Banner Engineering Corporation warrants its products to be free from defects for one year. Banner Engineering Corporation will repair or replace, free of charge, any product of its manufacture found to be defective at the time it is returned to the factory during the warranty period. This warranty does not cover damage or liability for the improper application of Banner products. This warranty is in lieu of any other warranty either expressed or implied.