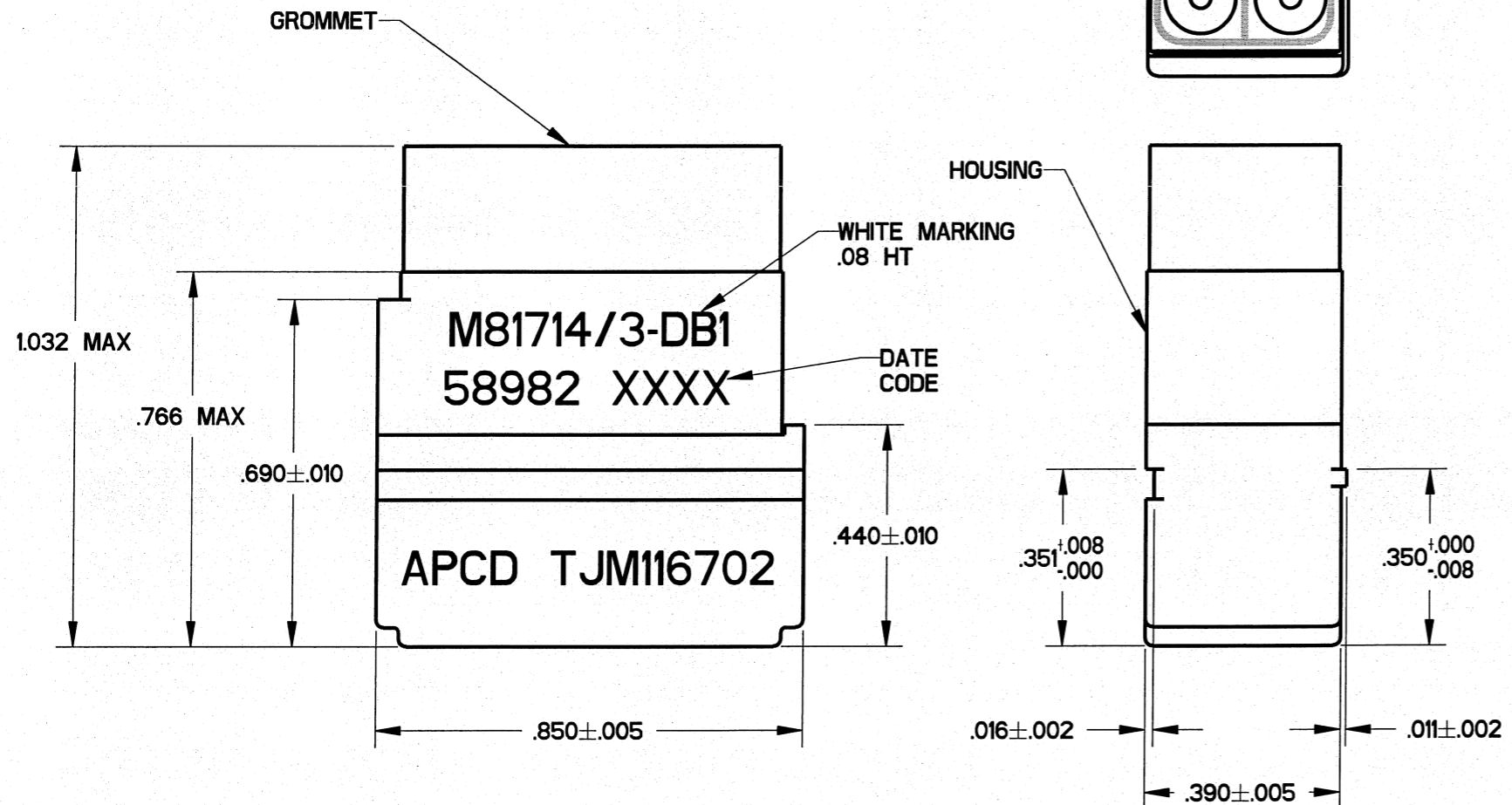
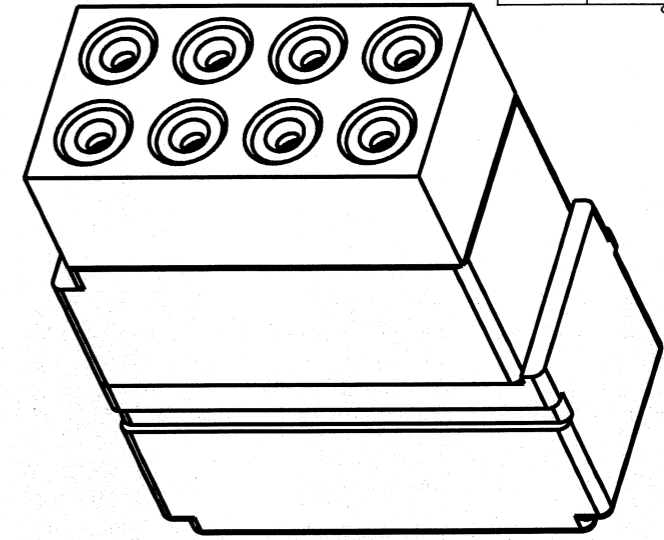
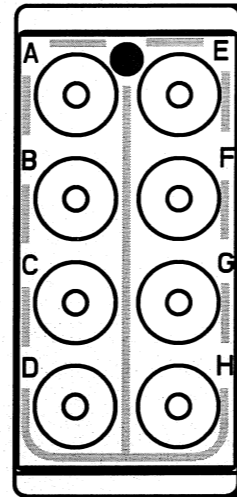


REV	ECN	APP'D
P	2451	JR 08/15/95
Q	5569	JT 1/4/05
R	5748	JT 12/2/05
S	6460	JR 2/5/10



NOTES

- PERFORMANCE:
  - A) MEETS PERFORMANCE AND ENVIRONMENTAL REQUIREMENTS OF SAE AS8174. MILITARY QUALIFIED
  - B) MODULES ARE TO BE MOUNTED INTO RACK ASSEMBLY M81714/5 OR /16 OR COMMERCIAL EQUIVALENT.
  - C) DIELECTRIC WITHSTANDING VOLTAGE: 1500 VRMS AT SEA LEVEL, 200 VRMS AT 100,000 FEET.
  - D) OPERATING TEMPERATURE: -65 °C TO 200 °C.
  - E) CURRENT RATING: 13 AMPS
- MATERIALS:
  - A) HOUSING - POLYETHERIMIDE, COLOR: BLACK.
  - B) GROMMET - SILICONE ELASTOMER, COLOR: BLUE.
  - C) INTERNAL CONTACTS - COPPER ALLOY, GOLD PLATED.
  - D) CONTACT RETAINERS - STAINLESS STEEL.

APCD P/N	SUPPLIED		MARKING	
	PINS	PLUGS	APCD QPL NO.	MIL NO.
TJM116602	----	----	TJM116702	M81714/3-DB1
TJM116702	9	2		

<b>DIMENSIONS</b> ANSI Y14.5M UNITS: INCHES Pro/E FILE	<b>TOLERANCES</b> .XX ±0.01 .XXX ±0.008 ANGLES ±10°	<b>PROJECTION</b> 	<b>Amphenol Pcd</b> SPECIFICATION DRAWING			<b>TITLE</b> TERMINAL JUNCTION MODULE SZ-16 FEEDBACK, B1 BUS		
			ENGR S. STONE 12/28/04	CHKD 1/5/2010	APPD 1/5/2010	SIZE <b>B</b>	DWG NO. <b>TJM116602</b>	REV <b>S</b>
ORIGINAL 	THIS DOCUMENT CONTAINS PROPRIETARY INFORMATION WHICH IS THE CONFIDENTIAL PROPERTY OF AMPHENOL PCD INC. BEVERLY, MA, USA							

TJM116602

TJM116602