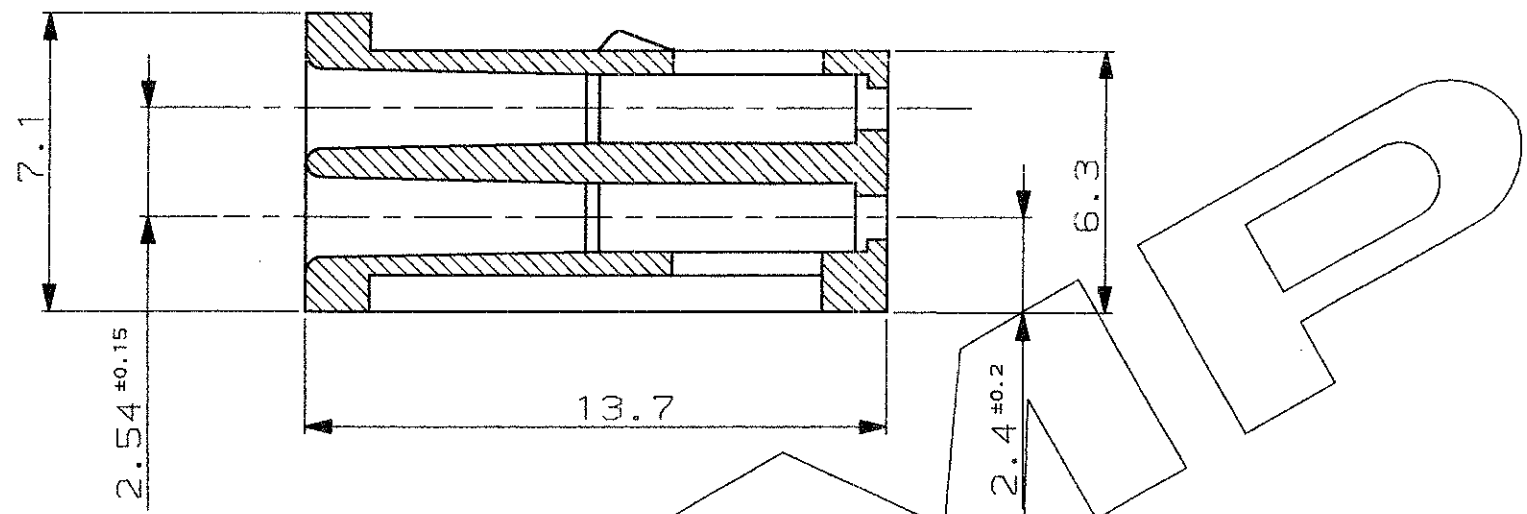
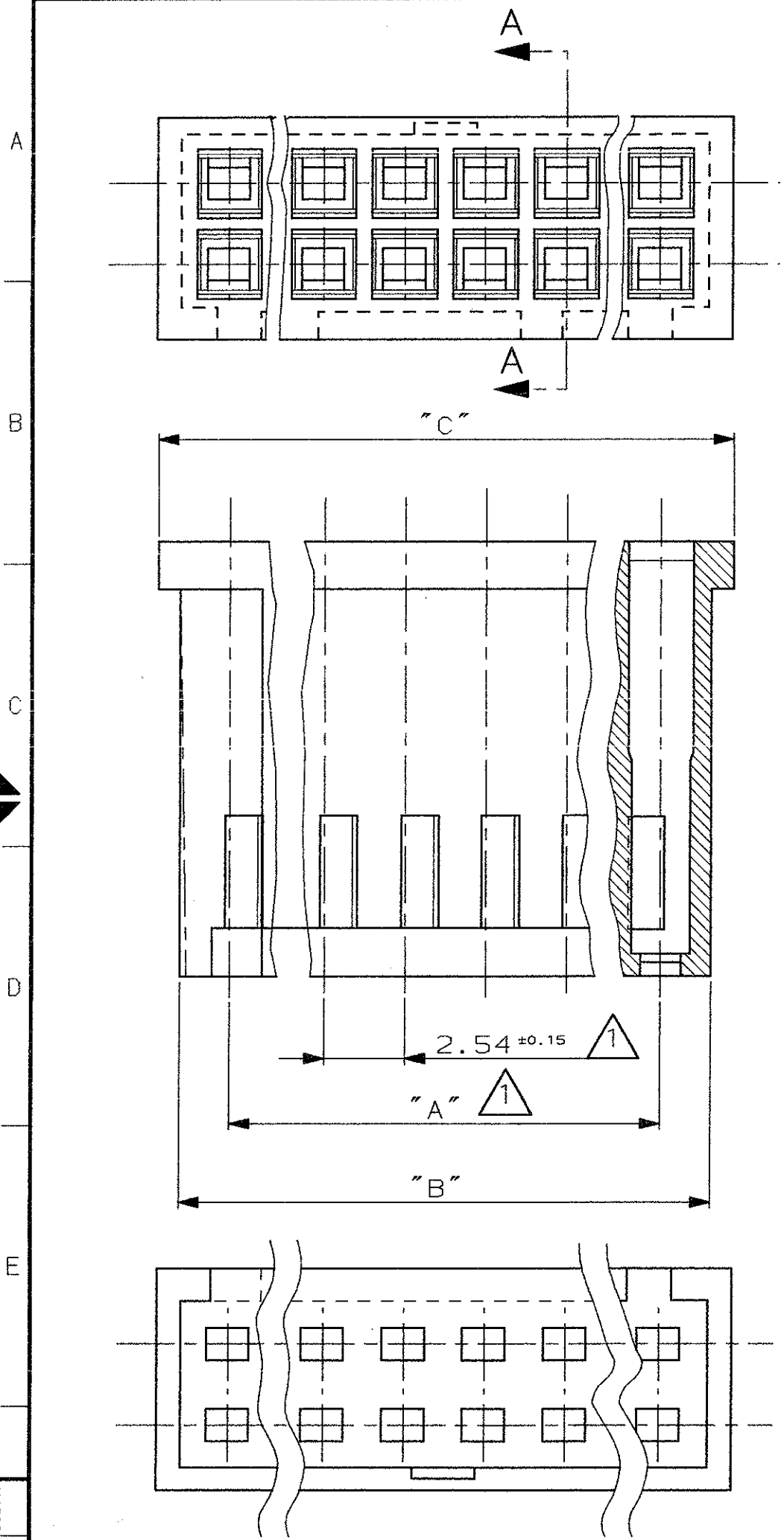


SECTION A-A

SCALA NON IMPEGNATIVA  
(DO NOT SCALE)  
DIMENSIONI IN mm  
(DIMENSIONS IN mm)

METRIC

PROIEZIONE AMERICANA  
(THIRD ANGLE PROJECTION)



△ 1 Tolleranza non cumulativa  
(Non-cumulative tolerance)

Nr. Pos.	Part Number	Dim "A"	Dim "B"	Dim "C"
5	284123-1	10.16	13.2	14.7
22	280369	53.34	56.4	57.9
8	281018	43.18	46.2	47.8
15	280368	35.56	38.6	40.1
12	280515	27.94	31	32.5
9	280513	20.32	23.3	24.9
8	280366	17.78	20.8	22.3
6	282792-1	12.7	15.7	17.2
4	280365	7.62	10.6	12.2

CUSTOMER DRAWING FOR REFERENCE ONLY / DISEGNO PER CLIENTE SOLO PER RIFERIMENTO

THIS DRAWING IS UNPUBLISHED / RELEASE FOR PUBLICATION

TOLLERANZE, SE NON DIVERSAMENTE SPECIFICATO  
(TOLERANCES, UNLESS OTHERWISE SPECIFIED)  
± 0.3

ANGOLI (ANGLES) ± 2°

DIS. (DR.) M. SCOMPARI 2 JAN 96

CONT. R. CANTORE (CHK) 2 JAN 96

MATERIALI (MATERIALS) NORYL (UL94-V1)  
Colore nero (Black colour)

**TE** TE Connectivity

DESCRIZIONE (DESCRIPTION) AMPMODU Mod. II Rec.  
HSG, Double Row, Crimp Snap-in.

REV.	REVISIONI (REVISION RECORD)	DIS. (DR.)	DATA (DATE)
Z1	REVISED PER ECO-11-005301	RK	02APR11

LOC. SIZE NUMERO (DWG NO) I A3 C - 280365  
REV. FOGGIO (SHEET) Z1 1 (OF) 1

DISTRIBUZIONE (PRINT/DIST.)