



Ultrapult

This series of console enclosures offers maximum mounting space in a classic design

- 4 sizes
- Recessed, closed console area
- Open console area for a separate front panel
- Aluminium or plastic rear panels



Colour	Light grey, similar to RAL 7035; screw covers, brackets and feet agate grey, similar to RAL 7038; special colours on request
Protection class	IP 40/DIN EN 60529
Enclosure material	ABS; for details see Technical Information

Integrated M3 threaded inserts allow the mounting parallel to the console area of circuit boards or mounting panels. Plug-in panels for the back of the open enclosure are available as accessories. The optional wall brackets allow the enclosures to be mounted flat on a wall.





UMP... version: Closed console area with 1 mm recessed area for mounting membrane keypads



UMP...FP version: Open console area with continuous internal seal (front panel as accessory)

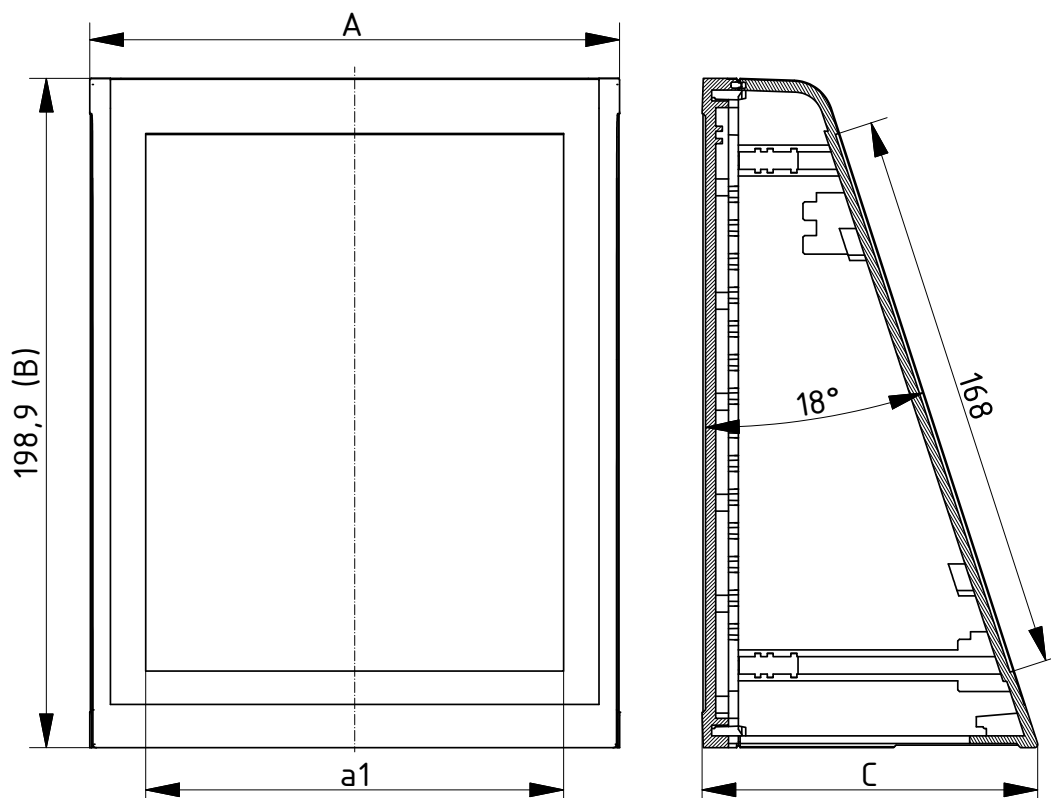
Ultrapult

Enclosure with membrane keypad area

Model	Order no.	A	B	C	a1
UMP 32014	45320140	157,5	198,9	100,1	124,2
UMP 62014	45620140	290,9	198,9	100,1	257,6
UMP 32018	45320180	157,5	198,9	120,4	124,2
UMP 62018	45620180	290,9	198,9	120,4	257,6

Scope of delivery: Lid and base, 4 screw covers, 4 rubber feet, 4 screws

Note: See following pages for accessories.



Z-2803272

Ultrapult

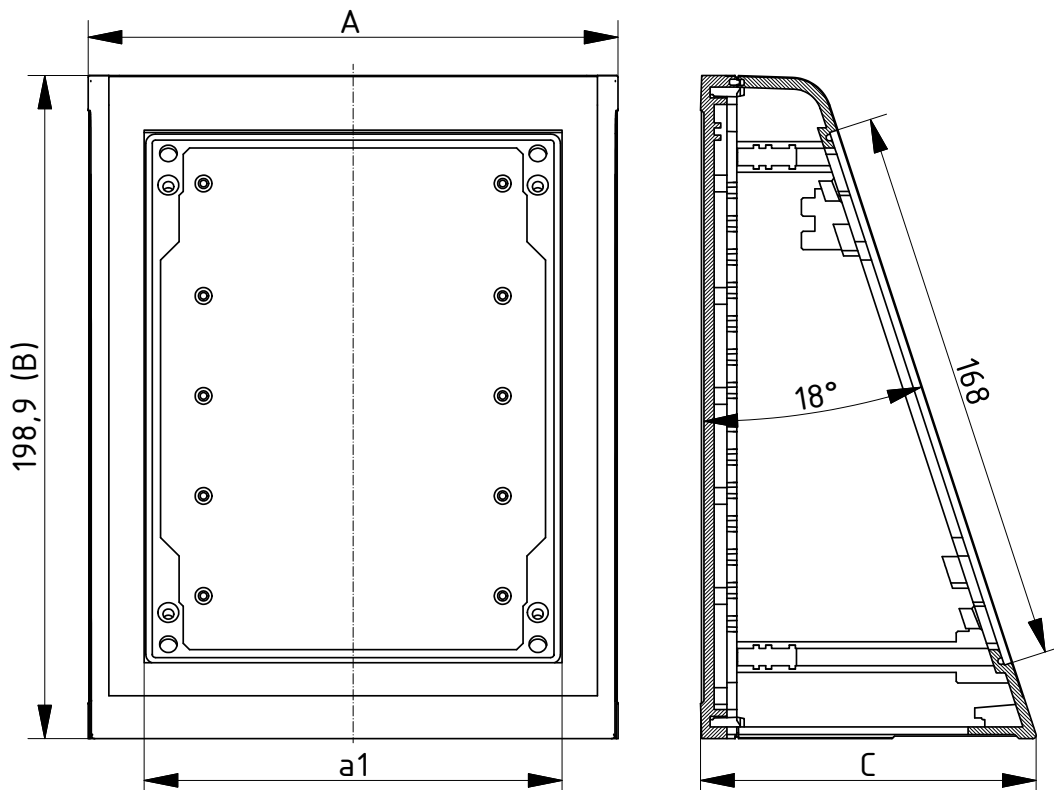


Enclosure with open console area

Model	Order no.	A	B	C	a1
UMP 32014 FP	45320145	157,5	198,9	100,1	124,2
UMP 62014 FP	45620145	290,9	198,9	100,1	257,6
UMP 32018 FP	45320185	157,5	198,9	120,4	124,2
UMP 62018 FP	45620185	290,9	198,9	120,4	257,6

Scope of delivery: Lid and base, 4 screw covers, 4 rubber feet, 4 screws

Note: See following pages for accessories.



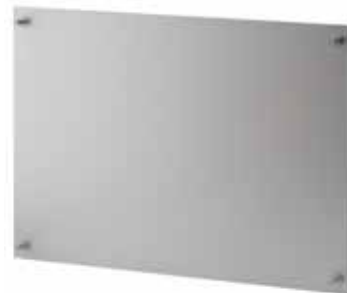
Z-2803273

Ultrapult accessories

Front panels for the open console area, natural-coloured anodised aluminium

Model	Order no.	Note
FPP 32000	29320180	For UMP 32014 FP + UMP 32018 FP
FPP 62000	29620180	For UMP 62014 FP + UMP 62018 FP

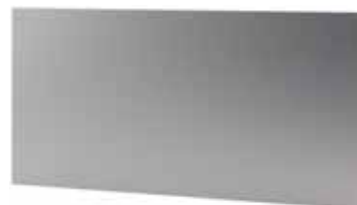
Scope of delivery: 1 front panel, fixing material



Rear panels, natural-coloured anodised aluminium

Model	Order no.	Note
FP 30014	56031400	Elegant accessories
FP 60014	56061400	For UMP 62014 (FP)
FP 30018	56031800	For UM 3..09 + 1x AB 02.09 (L) and for UMP 32018 (FP)
FP 60018	56061800	For UM 6..09 + 1x AB 02.09 (L) and for UMP 62018 (FP)

Scope of delivery: 1 rear panel



Rear panels, light grey plastic

Model	Order no.	Note
FPK 30014	56031410	Elegant accessories
FPK 60014	56061410	For UMP 62014 (FP)
FPK 30018	56031810	For UM 3..09 + 1x AB 02.09 (L) and for UMP 32018 (FP)
FPK 60018	56061810	For UM 6..09 + 1x AB 02.09 (L) and for UMP 62018 (FP)

Scope of delivery: 1 rear panel



Wall brackets for UMP 32014 / 62014

Model	Order no.
UM-WLN	56002100

Scope of delivery: 4 wall brackets



Wall brackets for UMP 32018 / 62018

Model	Order no.
UM-WLH	56002000

Scope of delivery: 4 wall brackets

