



No. 47 SENTINEL™ SCREW ASSEMBLY
FLARE-IN STYLE, 6-32 THREAD SIZE

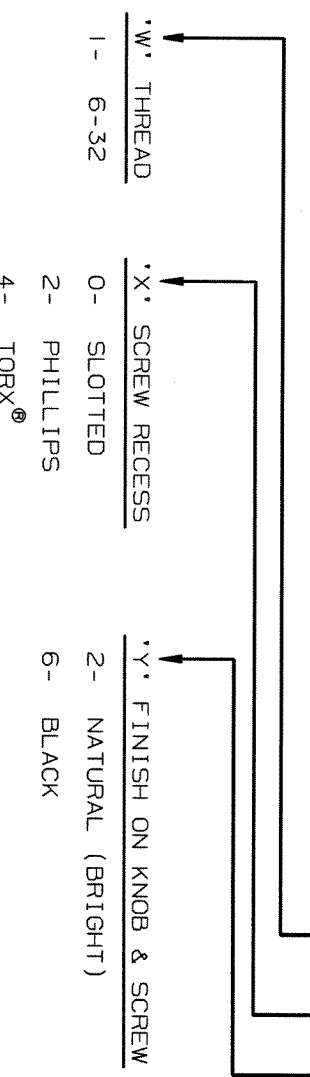
DATE 15NOV96 DRAWN MDM CHKD JSS SCALE 2:1 DRAWING NUMBER J-47-1-22-1

REV.	DATE	BY-CHKD	REVISIONS
A	31OCT97	MDM	PRN: 47-272
B	19MAR98	MDM	PRN: 47-299

MATERIAL AND FINISH

KNOB: 6262 ALUMINUM, NATURAL OR BLACK ORGANIC COATING.
SCREW: 1008 CASE HARDENED STEEL, ZINC PLATE CHROMATE PLUS SEALER OR BLACK ORGANIC COATING.
FERRULE: 6061 ALUMINUM, NATURAL.
SPRING: 302 STAINLESS STEEL, PASSIVATED.
RATCHET MECHANISM: HARDENED STEEL, BLACK OXIDE.

PANEL THICKNESS	PANEL THICKNESS		B	L	SCREW PROJECTION		T	PART NUMBER
	A MIN.	A MAX.			P-1	P-2		
.058	.125	.023	.07	.24	.43	.94	47-WO-2X4-Y2	
.125	.188	.062	.14	.24	.43	.87	47-W2-2X4-Y2	
.188	.250	.125	.20	.16	.35	.87	47-WO-2X6-Y2	
.250	.312	.188	.26	.24	.43	.94	47-WO-2X8-Y2	



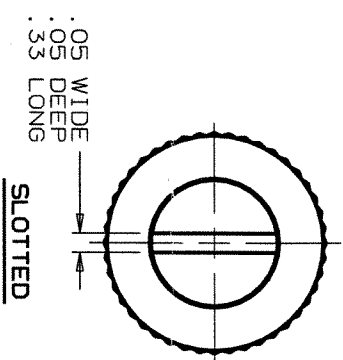
1. PREPARE HOLE WITH COUNTERSINK ACCORDING TO THE REQUIRED "B" DIMENSION. RECOMMENDED MIN. DISTANCE FROM EDGE OF PANEL TO THE CENTERLINE OF THE HOLE IS .47.
2. INSERT FASTENER AND FLARE INTO COUNTERSUNK HOLE WITH INSTALLATION TOOL PART No. 47-106 OR 29-47-101-10.
3. HAND TIGHTEN FIRMLY TO ENGAGE THE RATCHET MECHANISM.

4- TORX®

2- NATURAL (BRIGHT)

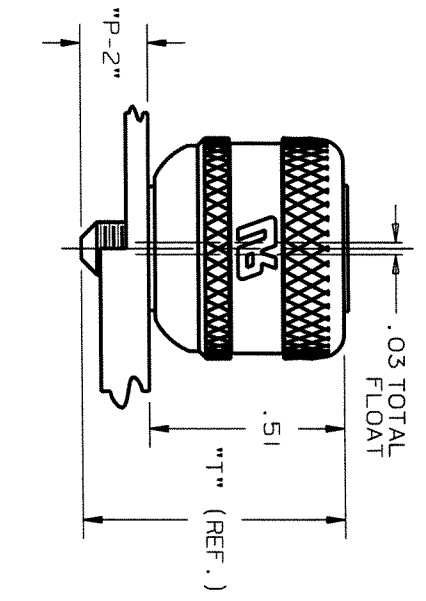
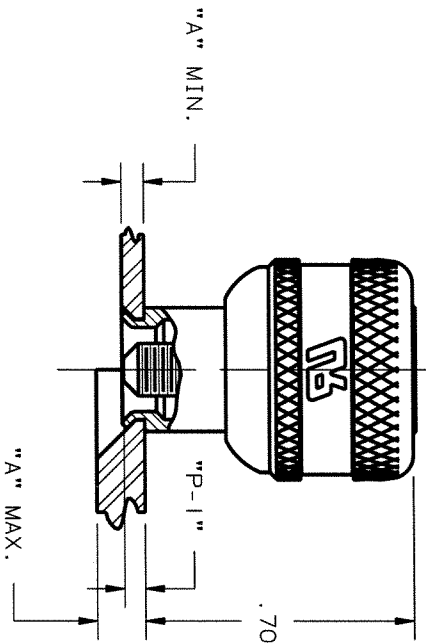
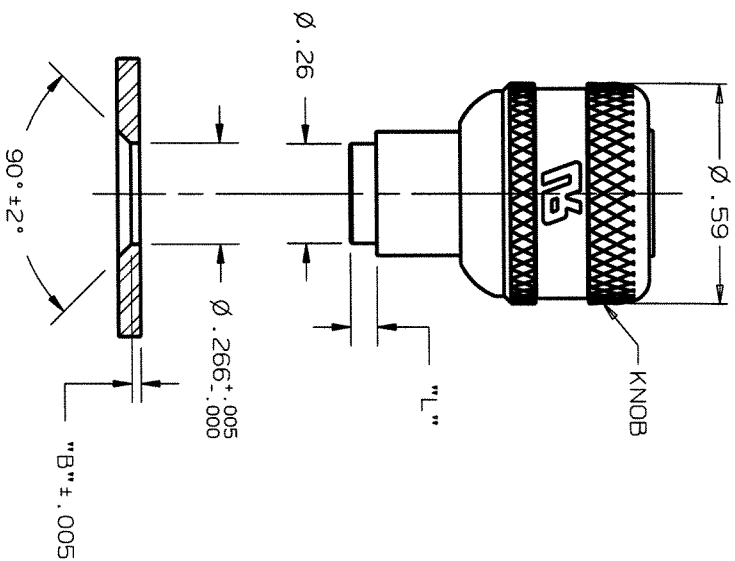
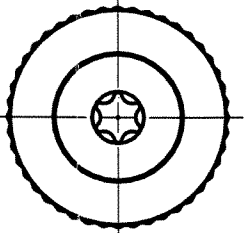
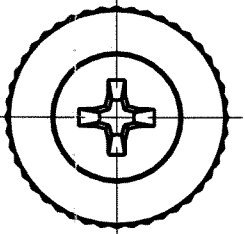
6- BLACK

SCREW RECESS STYLES



No. 2 PHILLIPS

T-15 TORX®



PANEL PREPARATION

UNFASTENED

FASTENED

FORMATOR 1 MAR 94
PROPRIETARY ITEM - EXCEPT FOR USES EXPRESSLY GRANTED IN WRITING INFORMATION DISCLOSED HEREON IS CONFIDENTIAL AND ALL RIGHTS PATENT AND OTHERWISE ARE RESERVED BY SOUTHCO, INC.

TORX® IS A REGISTERED TRADEMARK OF CAMCAR DIV. OF TEXTRON INC.
ALL DIMENSIONS ARE IN INCHES. REFERENCE TO DIMENSIONS WITHOUT TOLERANCES ARE THIRD ANGLE PROJECTION DRAWING.
DRAWING NUMBER J-47-1-22-1