



Is Now Part of



ON Semiconductor®

To learn more about ON Semiconductor, please visit our website at
www.onsemi.com

Please note: As part of the Fairchild Semiconductor integration, some of the Fairchild orderable part numbers will need to change in order to meet ON Semiconductor's system requirements. Since the ON Semiconductor product management systems do not have the ability to manage part nomenclature that utilizes an underscore (_), the underscore (_) in the Fairchild part numbers will be changed to a dash (-). This document may contain device numbers with an underscore (_). Please check the ON Semiconductor website to verify the updated device numbers. The most current and up-to-date ordering information can be found at www.onsemi.com. Please email any questions regarding the system integration to Fairchild_questions@onsemi.com.

ON Semiconductor and the ON Semiconductor logo are trademarks of Semiconductor Components Industries, LLC dba ON Semiconductor or its subsidiaries in the United States and/or other countries. ON Semiconductor owns the rights to a number of patents, trademarks, copyrights, trade secrets, and other intellectual property. A listing of ON Semiconductor's product/patent coverage may be accessed at www.onsemi.com/site/pdf/Patent-Marking.pdf. ON Semiconductor reserves the right to make changes without further notice to any products herein. ON Semiconductor makes no warranty, representation or guarantee regarding the suitability of its products for any particular purpose, nor does ON Semiconductor assume any liability arising out of the application or use of any product or circuit, and specifically disclaims any and all liability, including without limitation special, consequential or incidental damages. Buyer is responsible for its products and applications using ON Semiconductor products, including compliance with all laws, regulations and safety requirements or standards, regardless of any support or applications information provided by ON Semiconductor. "Typical" parameters which may be provided in ON Semiconductor data sheets and/or specifications can and do vary in different applications and actual performance may vary over time. All operating parameters, including "Typicals" must be validated for each customer application by customer's technical experts. ON Semiconductor does not convey any license under its patent rights nor the rights of others. ON Semiconductor products are not designed, intended, or authorized for use as a critical component in life support systems or any FDA Class 3 medical devices or medical devices with a same or similar classification in a foreign jurisdiction or any devices intended for implantation in the human body. Should Buyer purchase or use ON Semiconductor products for any such unintended or unauthorized application, Buyer shall indemnify and hold ON Semiconductor and its officers, employees, subsidiaries, affiliates, and distributors harmless against all claims, costs, damages, and expenses, and reasonable attorney fees arising out of, directly or indirectly, any claim of personal injury or death associated with such unintended or unauthorized use, even if such claim alleges that ON Semiconductor was negligent regarding the design or manufacture of the part. ON Semiconductor is an Equal Opportunity/Affirmative Action Employer. This literature is subject to all applicable copyright laws and is not for resale in any manner.

FAN5903

Buck Converter with Bypass Mode for 3G / 3.5G / 4G PAs

Features

- 2.7 V to 5.5 V Input Voltage Range
- V_{OUT} Range from 0.4 V to 3.5 V (or V_{IN})
- Small Form Factor Inductor
 - 2012 470 nH or 540 nH for Minimal PCB Area
 - 2520 1.0 μ H for Higher Efficiency
- Bypass Dropout at 500 mA, 60 mV Typical
- 100% Duty Cycle for Low Dropout Operation
- Input Under-Voltage Lockout / Thermal Shutdown
- 1.34 mm x 1.29 mm, 9-Bump, 0.4 mm-Pitch, Wafer-Level Chip-Scale Package (WLCSP)
- 3 MHz / 6 MHz Selectable Switching Frequency to Facilitate System Optimization
- High-Efficiency PFM Operation at Low Power
- Sleep Mode for Very Low I_Q Operation
- Up to 96% Efficient Synchronous Operation at High-Power Conditions
- 10 μ s Output Voltage Step Response for Early Power Loop Settling

Applications

- Dynamic Supply Bias for 3G/3.5G and 4G PAs
- Power Supply for WCDMA/LTE PAs

Resources

For more information or a full copy of this datasheet, please contact a Fairchild representative.

Description

FAN5903 is a high-efficiency, low-noise, synchronous, step-down, DC-DC converter designed for powering 3G / 3.5G / 4G RF Power Amplifiers (PAs) in handsets and other mobile applications.

The output voltage may be dynamically varied from 0.40 V to 3.50 V, proportional to an analog input V_{CON} , ranging from 0.16 V to 1.40 V provided by an external DAC. This allows the PA to be supplied with the voltage that enables maximum power-added efficiency.

An integrated bypass FET automatically switches on when battery voltage drops close to the desired output voltage ($V_{OUT} = V_{BAT} - 200$ mV). The DC-DC switches back to Synchronous Mode when the voltage dropout exceeds 375 mV. The integrated bypass FET is also enabled when V_{CON} is nominally greater than to 1.5 V.

The FAN5903 offers fast transition times, enabling changes to the output voltage in less than 10 μ s for power transitions. Moreover, a Current-Mode control loop with fast transient response ensures excellent line and load regulation.

Light-load efficiency is optimized by operating in PFM Mode for load currents typically less than 100 mA.

The switching frequency may be set to 3 MHz or 6 MHz, enabling further optimization of system performance. The FAN5903 typically uses a single, small-form-factor inductor of 470 nH or 540 nH. Efficiency may be further optimized using a 1.0 μ H inductor when running at 3 MHz.

When output regulation is not required, the FAN5903 may be placed in Sleep Mode by setting V_{CON} nominally to 50 mV. This ensures a very low I_Q (<70 μ A) while enabling a fast return to output regulation. The FAN5903 enables significant current reduction and increased talk time and is available in a 1.34 mm x 1.29 mm, 9-bump, 0.40 mm-pitch, WLCSP package.

Ordering Information

Part Number	Operating Temperature Range	Package	Packing Method
FAN5903UCX	-40 to +85°C	1.34 mm x 1.29 mm, 9-bump, 0.4 mm Pitch, Wafer-Level Chip-Scale Package (WLCSP)	Tape and Reel

Application Diagrams

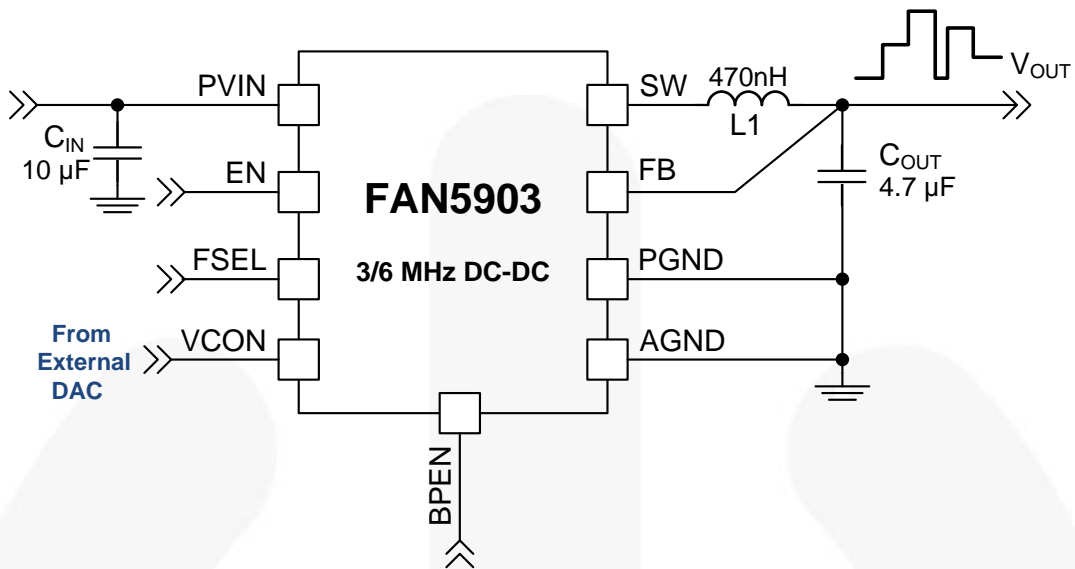


Figure 1. Application Circuit

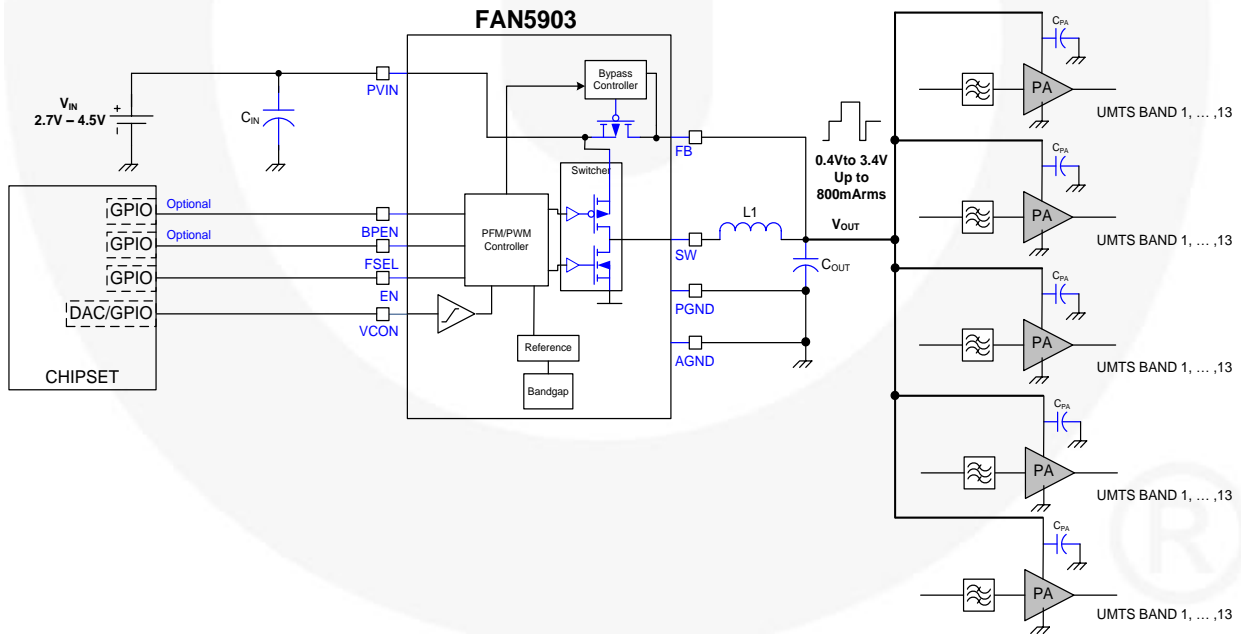


Figure 2. Typical Application with a 5-Band WCDMA / HSPA PA System

Pin Configuration

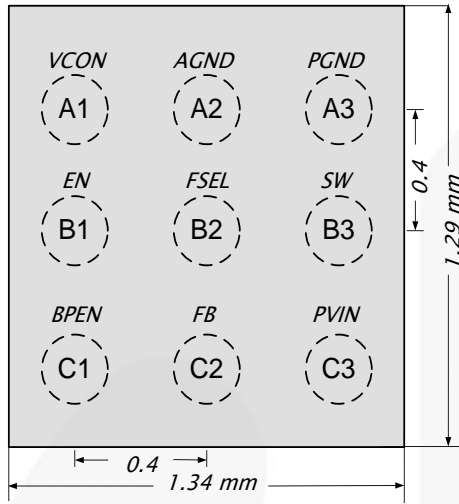


Figure 3. Top-Through View, Bumps Face Down

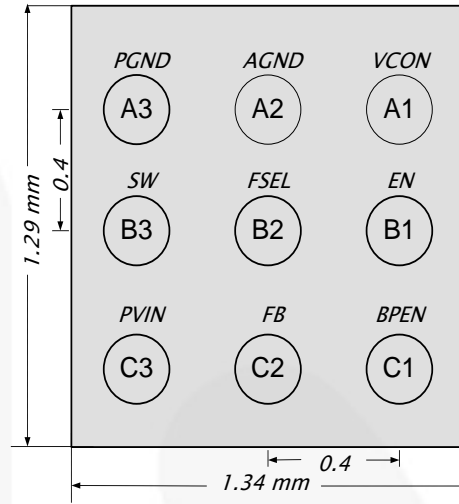


Figure 4. Top-Through View, Bumps Face Up

Pin Definitions

Pin #	Name	Description
A1	VCON	Analog control pin. Shield signal routing against noise.
A2	AGND	Analog ground, reference ground for the IC. Follow PCB routing notes for connecting this pin.
A3	PGND	Power ground of the internal MOSFET switches. Follow routing notes for connections between PGND and AGND.
B1	EN	Enables switching when HIGH, Shutdown Mode when LOW. This pin should not be left floating.
B2	FSEL	Switching frequency select. When FSEL is LOW, the DC-DC operates at 6 MHz. When FSEL is HIGH, the DC-DC operates at 3 MHz. This pin should not be left floating.
B3	SW	Switching node of the internal MOSFET switches. Connect to output inductor.
C1	BPEN	Force bypass transistor when HIGH; auto-bypass when LOW. This pin should not be left floating.
C2	FB	Output voltage-sense pin. Connect to VOUT to establish feedback path for regulation point.
C3	PVIN	Supply voltage input to the internal MOSFET switches; connect to input power source.

Absolute Maximum Ratings

Stresses exceeding the absolute maximum ratings may damage the device. The device may not function or be operable above the recommended operating conditions and stressing the parts to these levels is not recommended. In addition, extended exposure to stresses above the recommended operating conditions may affect device reliability. The absolute maximum ratings are stress ratings only.

Symbol	Parameter	Min.	Max.	Unit
V_{IN}	PVIN	-0.3	6.0	V
	Voltage On Any Other Pin	-0.3	$PV_{IN} + 0.3$	
T_J	Junction Temperature	-40	+125	°C
T_{STG}	Storage Temperature	-65	+150	°C
T_L	Lead Soldering Temperature (10 Seconds)		+260	°C
ESD	Electrostatic Discharge Protection	Human Body Model, JESD22-A114	2.0	kV
		Charged Device Model, JESD22-C101	1.5	

Recommended Operating Conditions

The Recommended Operating Conditions table defines the conditions for actual device operation. Recommended operating conditions are specified to ensure optimal performance to the datasheet specifications. Fairchild does not recommend exceeding them or designing to Absolute Maximum Ratings.

Symbol	Parameter	Min.	Typ.	Max.	Unit
V_{IN}	Supply Voltage Range	2.7		5.5	V
V_{OUT}	Output Voltage Range	0.35		$\leq V_{IN}$	V
I_{OUT_BYP}	Output Current (Bypass Mode)			2.4	A
I_{OUT_DCDC}	Output Current (DCDC Mode)			1.0	A
L_1	Inductor	$f_{SW} = 6 \text{ MHz}$	470		nH
			540		
		$f_{SW} = 3 \text{ MHz}$	1.00		μH
C_{IN}	Input Capacitor ⁽¹⁾		10		μF
C_{OUT}	Output Capacitor	2.2	4.7		μF
T_A	Operating Ambient Temperature Range	-40		+85	°C
T_J	Operating Junction Temperature Range	-40		+125	°C

Note:

1. A large enough input capacitor value is required for limiting the input voltage drop during bursts, bypass transitions, or during large output voltage transitions. Ensure the input capacitor value is greater than the output capacitor's. See the inrush current specifications below.

Dissipation Ratings

Symbol	Parameter	Min.	Typ.	Max.	Unit
Θ_{JA}	Junction-to-Ambient Thermal Resistance ⁽²⁾		110		°C/W

Note:

2. Junction-to-ambient thermal resistance is a function of application and board layout. This data is measured with four-layer 2s2p boards in accordance to JESD51- JEDEC standard. Special attention must be paid not to exceed junction temperature $T_{J(max)}$ at a given ambient temperature T_A .

Electrical Characteristics

$V_{IN} = V_{OUT} + 0.6\text{ V}$, $I_{OUT} = 200\text{ mA}$, $EN = V_{IN}$, $T_A = -40^\circ\text{C}$ to $+85^\circ\text{C}$, unless otherwise noted. Typical values are at $T_A = +25^\circ\text{C}$, $V_{IN} = 3.7\text{ V}$.

Symbol	Parameter	Condition	Min.	Typ.	Max.	Unit
Power Supplies						
V_{IN}	Input Voltage Range	$I_{OUT} \leq 800\text{ mA}$	2.7		5.5	V
I_{SD}	Shutdown Supply Current	$EN = 0\text{ V}$		1	3	μA
I_Q	Quiescent Current	Sleep Enabled		70		μA
V_{UVLO}	Under Voltage Lockout Threshold	V_{IN} Rising	2.30	2.45	2.60	V
		Hysteresis		175		mV
V_{IH}	Logic Threshold Voltage: EN, FSEL and BPEN	Input HIGH Threshold	1.2			V
V_{IL}		Input LOW Threshold			0.5	V
I_{EN}	EN Input Bias Current	$EN = V_{IN}$ or GND		0.01	1.00	μA
Oscillator						
f_{SW}	Average Oscillator Frequency	FSEL = 0	5.4	6.0	6.6	MHz
f_{SW}	Average Oscillator Frequency	FSEL = 1	2.7	3.0	3.3	MHz
DC-DC Mode						
R_{DSON}	PMOS On Resistance ⁽³⁾	$V_{IN} = V_{GS} = 3.7\text{ V}$		230		m Ω
	NMOS On Resistance ⁽³⁾	$V_{IN} = V_{GS} = 3.7\text{ V}$		150		m Ω
I_{LIMp}	P-Channel Current Limit		1.2	1.5	1.8	A
I_{LIMn}	N-Channel Current Limit		0.8	1.1	1.4	A
V_{OUT_MIN}	Minimum Output Voltage	$V_{CON} = 0.16\text{ V}$	0.35	0.40	0.45	V
V_{OUT_MAX}	Maximum Output Voltage	$V_{CON} = 1.40\text{ V}$	3.45	3.50	3.55	V
Gain	Gain in Control Range 0.16V to 1.40V			2.5		
V_{OUT_ACC}	V_{OUT} Accuracy	Ideal = $2.5 \times V_{CON}$	-50		+50	mV
Bypass Mode						
R_{FET}	Bypass FET Resistance ⁽⁴⁾	$V_{IN} = V_{GS} = 3.7\text{ V}$		210		m Ω
ΔV_{OUT_BP}	Bypass Mode Output Voltage Drop	$I_{OUT} = 500\text{ mA}$		60		mV
Output Regulation						
V_{OUT_RLine}	V_{OUT} Line Regulation			± 5		mV
V_{OUT_RL}	V_{OUT} Load Regulation	$I_{OUT} \leq 800\text{ mA}$		± 25		mV
$V_{CON_SL_EN}$	V_{CON} Sleep Mode Enter	V_{CON} Voltage that Forces Very Low I_Q Sleep Mode	50			mV
$V_{CON_SL_EX}$	V_{CON} Sleep Mode Exit	V_{CON} Voltage that Exits Sleep Mode			135	mV
$V_{CON_BP_EN}$	V_{CON} Forced Bypass Mode Enter	V_{CON} Voltage that Forces Bypass, $V_{IN} = 2.70\text{ V} - 4.75\text{ V}$	1.6			V
$V_{CON_BP_EX}$	V_{CON} Forced Bypass Mode Exit	V_{CON} Voltage that Exits Forced; Bypass, $V_{IN} = 2.70\text{ V} - 4.75\text{ V}$			1.4	V
V_{BP_ThH}	Voltage Threshold to Enter Bypass Mode	$V_{IN} - V_{OUT}$	160	200	240	mV
V_{BP_ThL}	Voltage Threshold to Exit Bypass Mode	$V_{IN} - V_{OUT}$	320	375	440	mV
T_{OTP}	Over-Temperature Protection	Rising Temperature		+150		$^\circ\text{C}$
		Hysteresis		+20		

Electrical Characteristics

$V_{IN} = V_{OUT} + 0.6 \text{ V}$, $I_{OUT} = 200 \text{ mA}$, $EN = V_{IN}$, $T_A = -40^\circ\text{C}$ to $+85^\circ\text{C}$, unless otherwise noted. Typical values are at $T_A = +25^\circ\text{C}$, $V_{IN} = 3.7 \text{ V}$.

Symbol	Parameter	Condition	Min.	Typ.	Max.	Unit
Timings						
t_{SS}	Startup Time	$V_{IN} = 3.7 \text{ V}$, V_{OUT} from 0 V to 3.1 V, $C_{OUT} = 4.7 \mu\text{F}$, 10 V, X5R		30	40	μs
t_{SP_en}	Sleep Mode Enter Time	$V_{CON} < 50 \text{ mV}$		40		μs
t_{SP_ex}	Sleep Mode Exit Time	$V_{CON} \geq 135 \text{ mV}$		11		μs
$t_{DC_DC_TR}$	V_{OUT} Step Response Rise Time ⁽³⁾	V_{OUT} from 5% to 95%, $\Delta V_{OUT} < 2 \text{ V}$ (1.4 V – 3.4 V), $R_{LOAD} \leq 7 \Omega$			10	μs
$t_{DC_DC_TF}$	V_{OUT} Step Response Fall Time ⁽³⁾	V_{OUT} from 95% to 5%, $\Delta V_{OUT} < 2 \text{ V}$ (3.4 V – 1.4 V), $R_{LOAD} \leq 7 \Omega$			12	μs
$t_{DC_DC_CL}$	Maximum Allowed Time for Consecutive Current Limits ⁽⁵⁾			40		μs
t_{DCDC_CLR}	Consecutive Current Limit Recovery Time ⁽³⁾			180		μs

Notes:

- Guaranteed by design; not tested in production.
- Bypass FET resistance does not include the PFET $R_{DS(on)}$ and inductor DCR in parallel with the bypass FET in Bypass Mode.
- Protects part under short circuit conditions. After 40 μs , operation halts and restarts after 180 μs . Under heavy capacitive loads, V_{CON} slew rate may be reduced to avoid consecutive current limits. Under typical conditions for a 3 V change at the output, a capacitive only load of up to 40 μF is supported, assuming a step at the V_{CON} input.

Typical Characteristics

Unless otherwise noted, $V_{IN} = EN = 3.7\text{ V}$, $L_1 = 1.0\ \mu\text{H}$, $C_{LOAD} = 4.7\ \mu\text{F}$, and $T_A = +25^\circ\text{C}$.

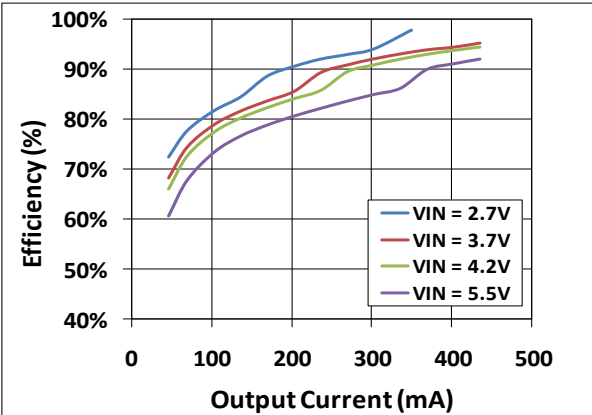


Figure 5. Efficiency vs. Output Current vs. Input Voltage, $f_{SW} = 6\text{ MHz}$, $R_{PA} = 7\ \Omega$

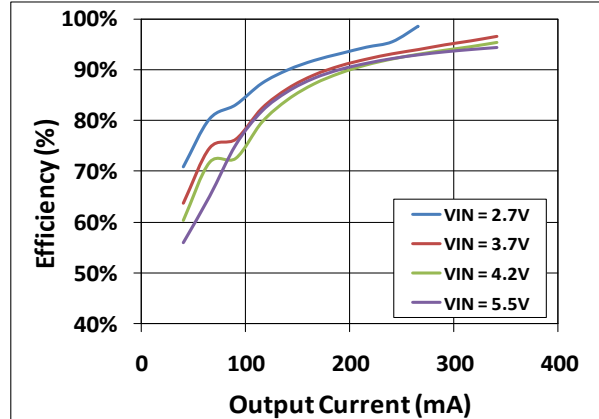


Figure 6. Efficiency vs. Output Current vs. Input Voltage, $f_{SW} = 6\text{ MHz}$, $R_{PA} = 10\ \Omega$

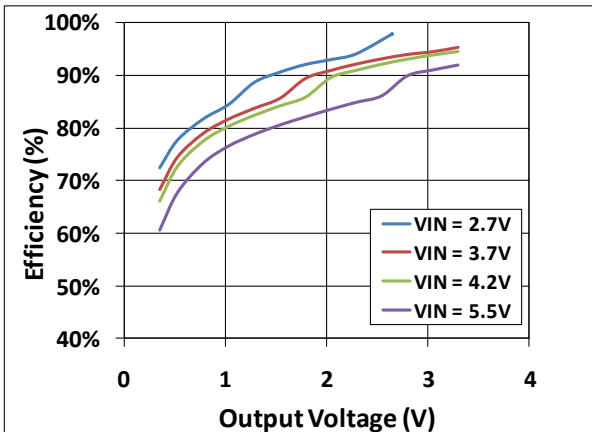


Figure 7. Efficiency vs. Output Voltage vs. Input Voltage, $f_{SW} = 6\text{ MHz}$, $R_{PA} = 7\ \Omega$

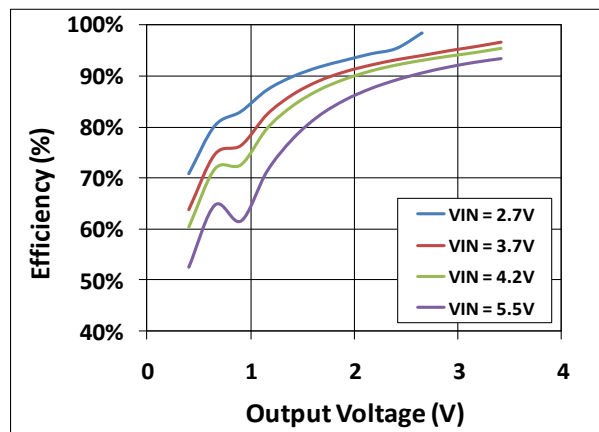


Figure 8. Efficiency vs. Output Voltage vs. Input Voltage, $f_{SW} = 6\text{ MHz}$, $R_{PA} = 10\ \Omega$

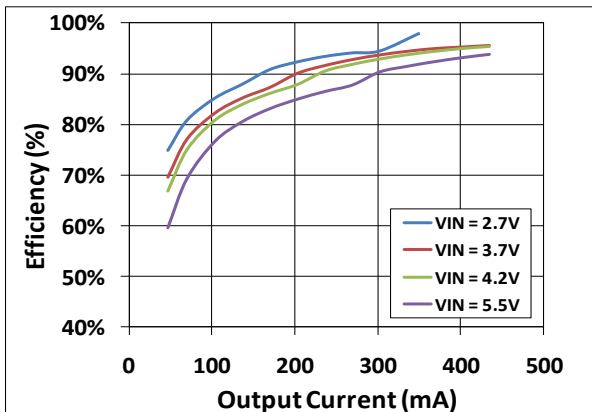


Figure 9. Efficiency vs. Output Current vs. Input Voltage, $f_{SW} = 3\text{ MHz}$, $R_{PA} = 7\ \Omega$

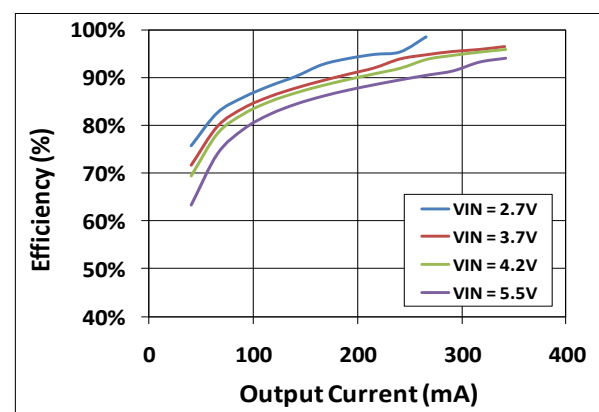


Figure 10. Efficiency vs. Output Current vs. Input Voltage, $f_{SW} = 3\text{ MHz}$, $R_{PA} = 10\ \Omega$

Typical Characteristics

Unless otherwise noted, $V_{IN} = EN = 3.7\text{ V}$, $L_1 = 1.0\ \mu\text{H}$, $C_{LOAD} = 4.7\ \mu\text{F}$, and $T_A = +25^\circ\text{C}$.

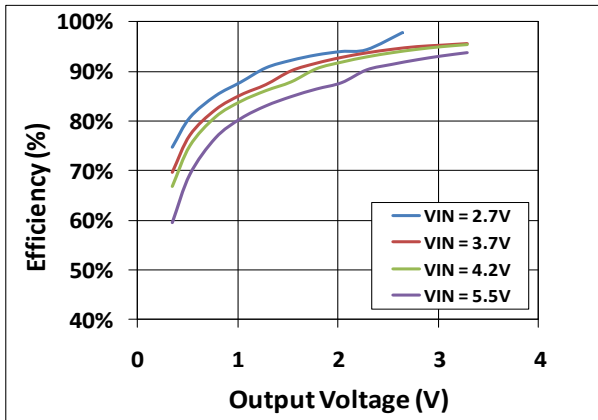


Figure 11. Efficiency vs. Output Voltage vs. Input Voltage, $f_{SW} = 3\text{ MHz}$, $R_{PA} = 7\ \Omega$

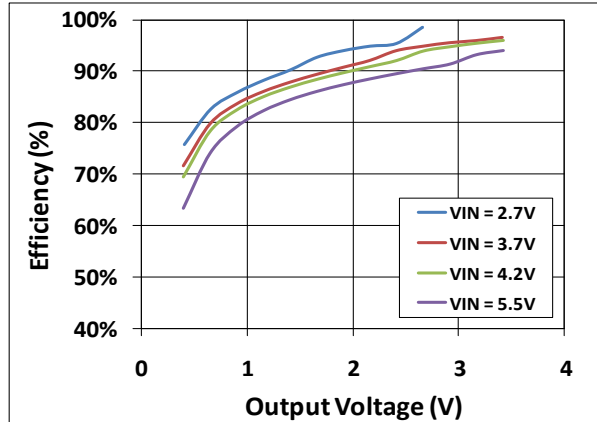


Figure 12. Efficiency vs. Output Voltage vs. Input Voltage, $f_{SW} = 3\text{ MHz}$, $R_{PA} = 10\ \Omega$

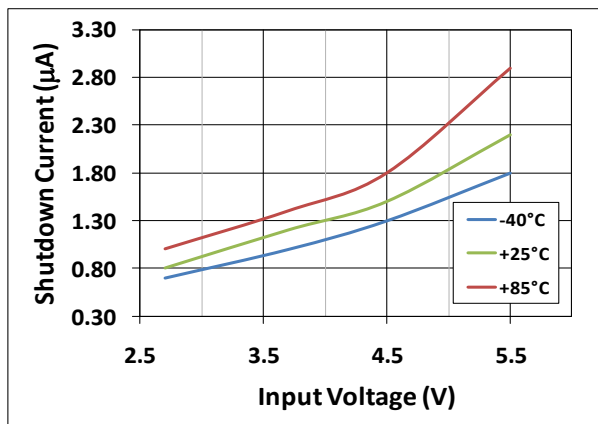


Figure 13. Shutdown Current vs. Input Voltage vs. Temperature

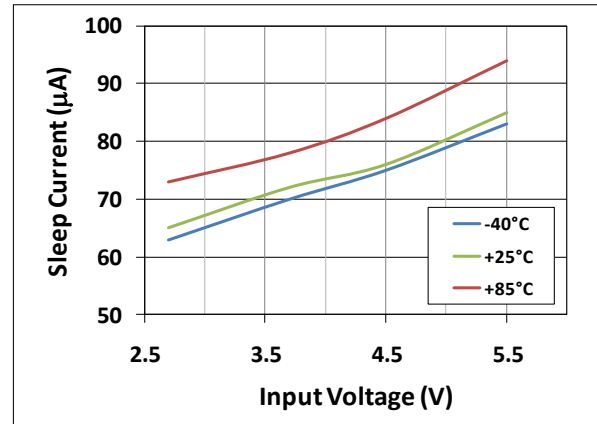


Figure 14. Sleep Mode Current vs. Input Voltage vs. Temperature

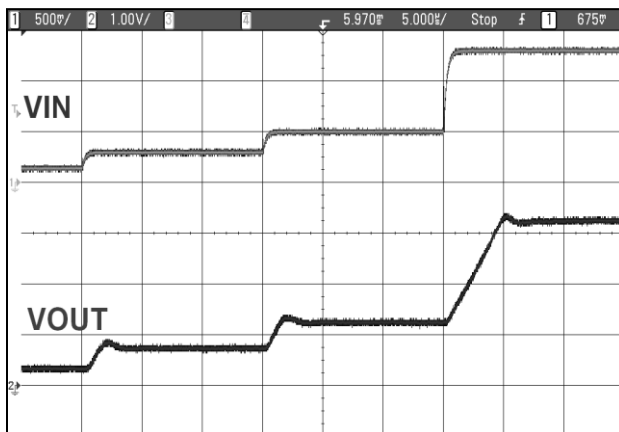


Figure 15. Rise Times for 300 mV, 500 mV, and $2\text{ V } \Delta V_{OUT}$ ($V_{IN} = 3.7\text{ V}$)

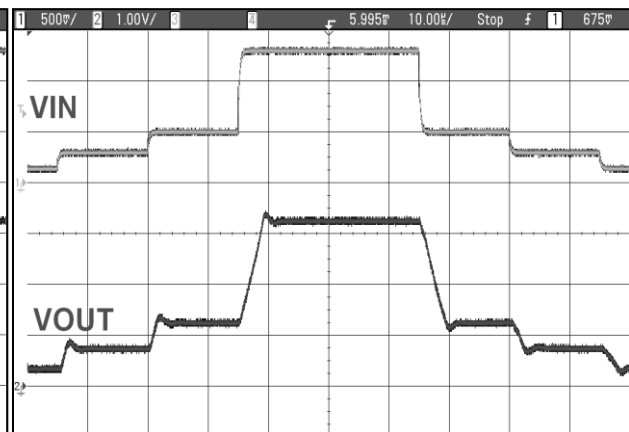


Figure 16. Rise Times for 300 mV, 500 mV, and $2\text{ V } \Delta V_{OUT}$ ($V_{IN} = 3.7\text{ V}$)

Typical Characteristics

Unless otherwise noted, $V_{IN} = EN = 3.7\text{ V}$, $L1 = 1.0\ \mu\text{H}$, $C_{LOAD} = 4.7\ \mu\text{F}$, and $T_A = +25^\circ\text{C}$.

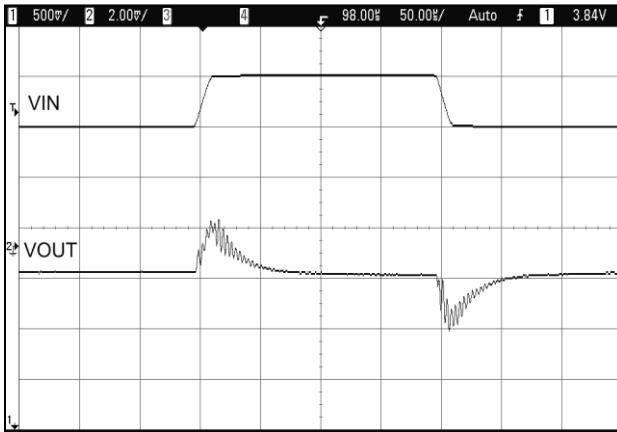


Figure 17. Line Transient $V_{IN} = 3.7\text{ V}$ to 4.2 V , $V_{OUT} = 2.5\text{ V}$, $10\ \Omega$ Load, $50\ \mu\text{s}/\text{div}$.

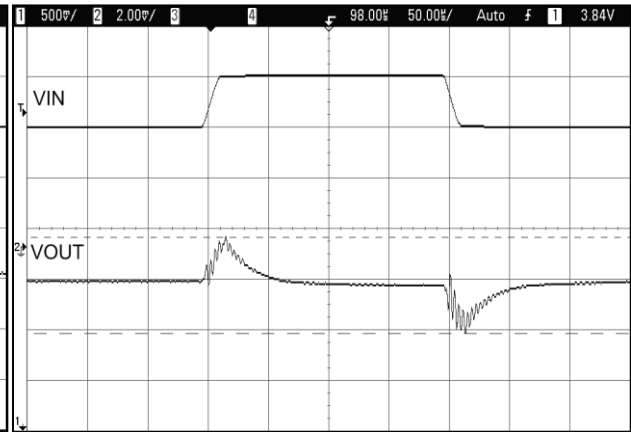


Figure 18. Line Transient $V_{IN} = 3.7\text{ V}$ to 4.2 V , $V_{OUT} = 1.0\text{ V}$, $10\ \Omega$ Load, $50\ \mu\text{s}/\text{div}$.

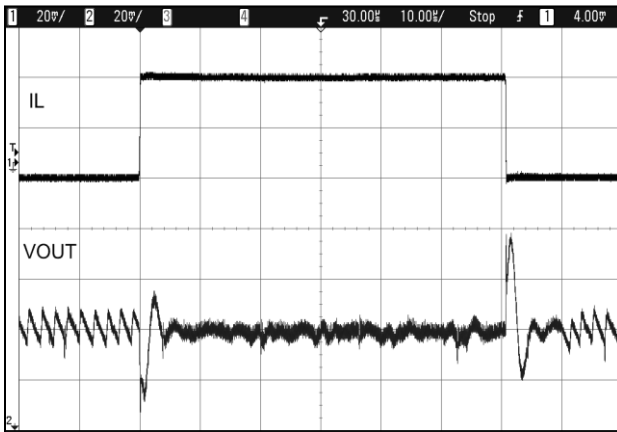


Figure 19. Load Transient, 0 mA to 400 mA , $V_{OUT} = 1.0\text{ V}$

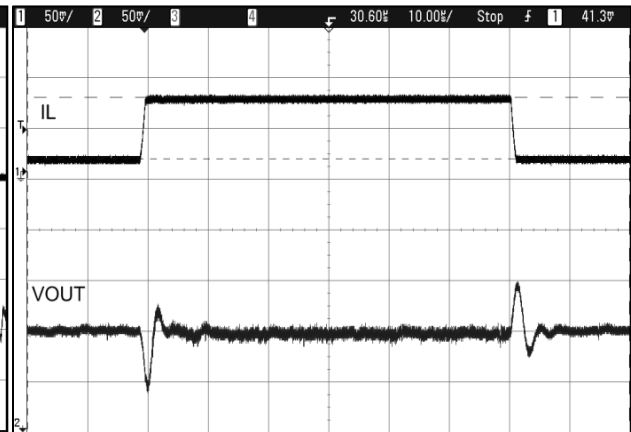


Figure 20. Load Transient, 200 mA to 800 mA , $V_{OUT} = 1.0\text{ V}$

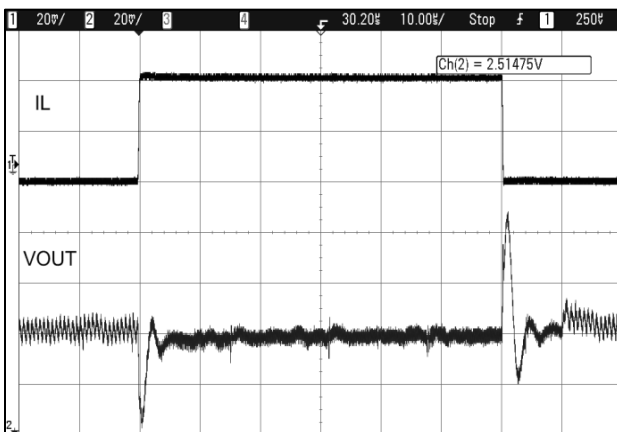


Figure 21. Load Transient, 0 mA to 400 mA , $V_{OUT} = 2.5\text{ V}$

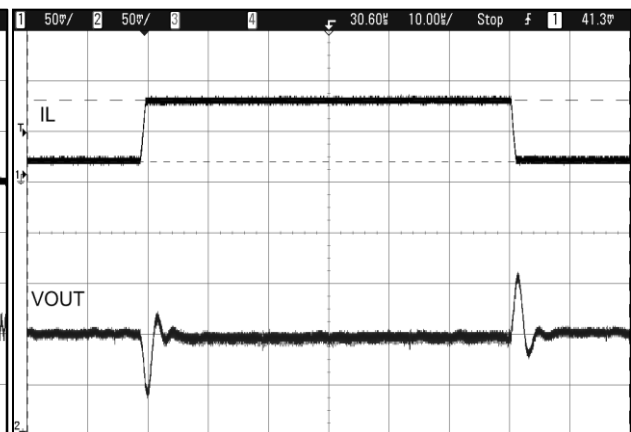


Figure 22. Load Transient, 200 mA to 800 mA , $V_{OUT} = 2.5\text{ V}$

Typical Characteristics

Unless otherwise noted, $V_{IN} = EN = 3.7\text{ V}$, $L1 = 1.0\ \mu\text{H}$, $C_{LOAD} = 4.7\ \mu\text{F}$, and $T_A = +25^\circ\text{C}$.

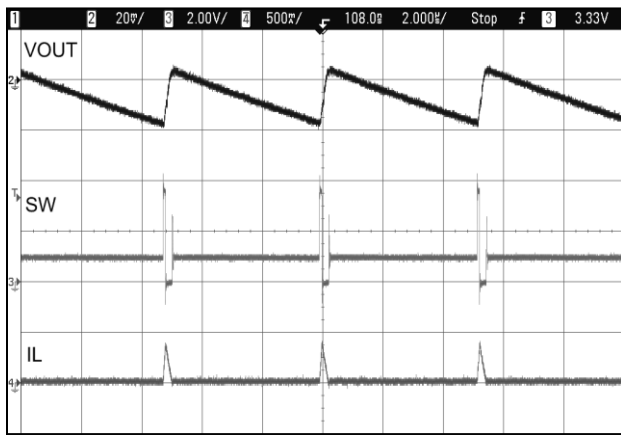


Figure 23. Switching Waveforms, PFM Mode, $I_{LOAD} = 10\text{ mA}$ (Light Load)

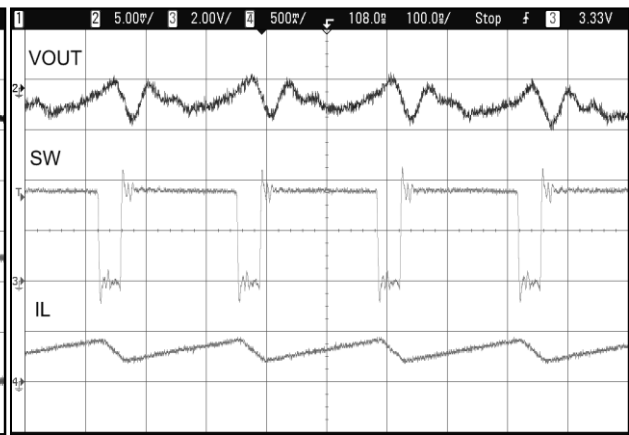


Figure 24. Switching Waveforms, PWM Mode, $f_{SW} = 6\text{ MHz}$, $I_{LOAD} = 300\text{ mA}$ (Heavy Load)



Figure 25. V_{OUT} Rising Transition 0.5 V to 2.5 V, $V_{IN} = 3.7\text{ V}$



Figure 26. V_{OUT} Falling Transition 2.5 V to 0.5 V, $V_{IN} = 3.7\text{ V}$

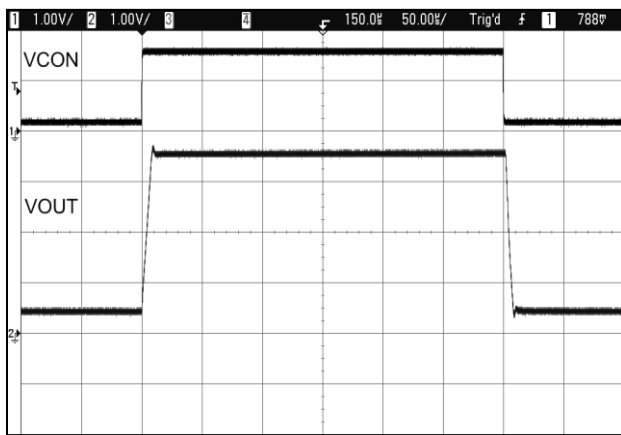


Figure 27. V_{OUT} Transient Response $\Delta V_{OUT} = 3\text{ V}$

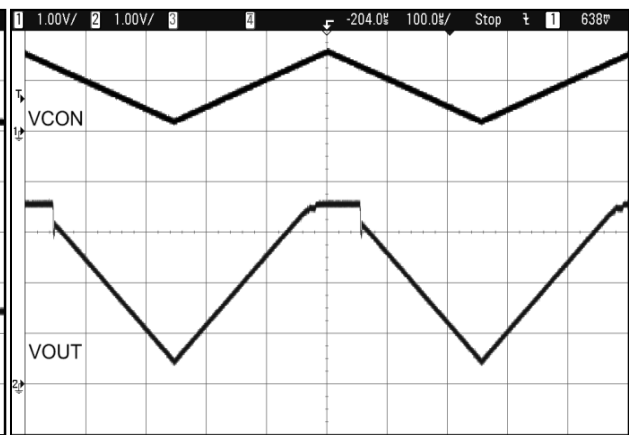


Figure 28. V_{OUT} Transient and Bypass Response $\Delta V_{OUT} > 3\text{ V}$, V_{CON} Stepped Above 1.5 V

Typical Characteristics

Unless otherwise noted, $V_{IN} = EN = 3.7\text{ V}$, $L1 = 1.0\ \mu\text{H}$, $C_{LOAD} = 4.7\ \mu\text{F}$, and $T_A = +25^\circ\text{C}$.

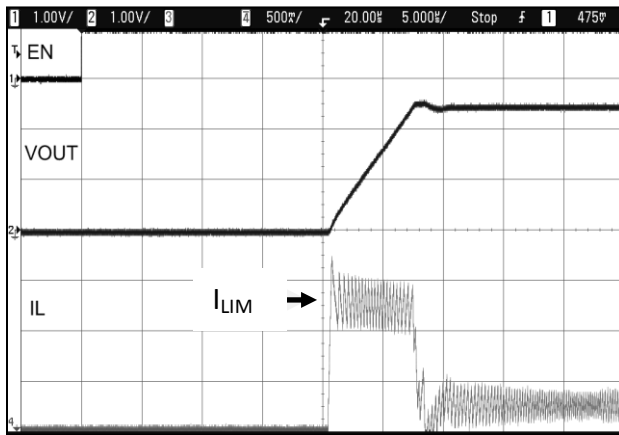


Figure 29. Soft-Start Transient Response from 0 mA to 100 mA

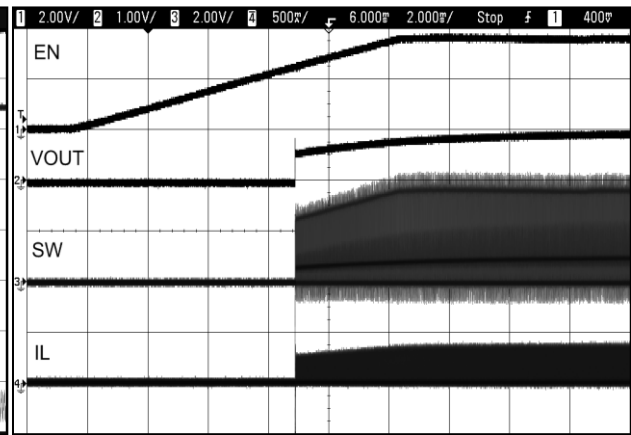


Figure 30. Cold-Start Transient Response from 0 mA to 100 mA

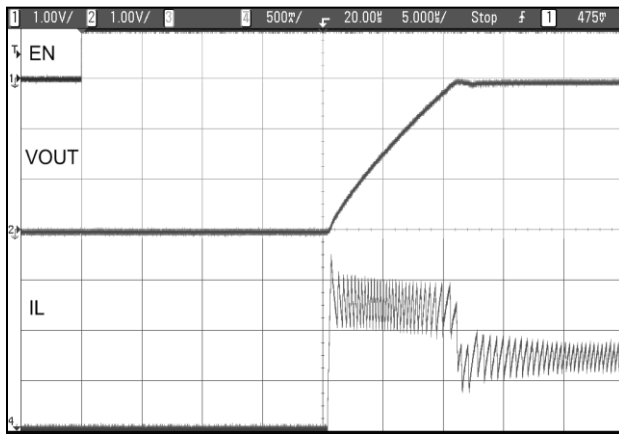


Figure 31. Soft-Start Transient Response from 0 mA to 800 mA

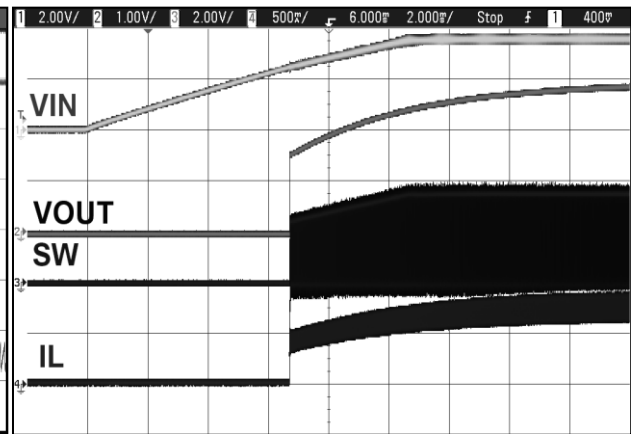


Figure 32. Cold-Start Transient Response from 0 mA to 800 mA

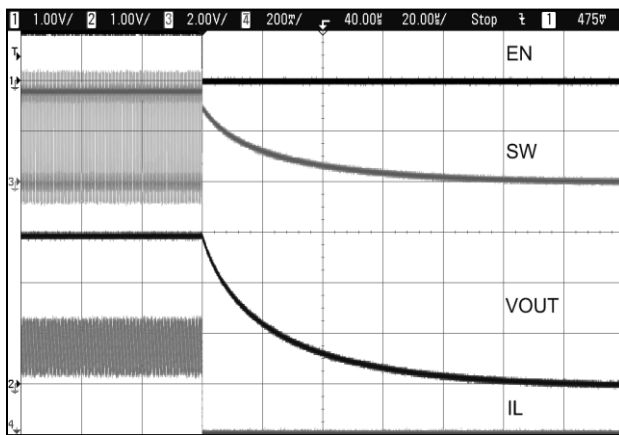


Figure 33. Shutdown Transient Response

Block Diagram

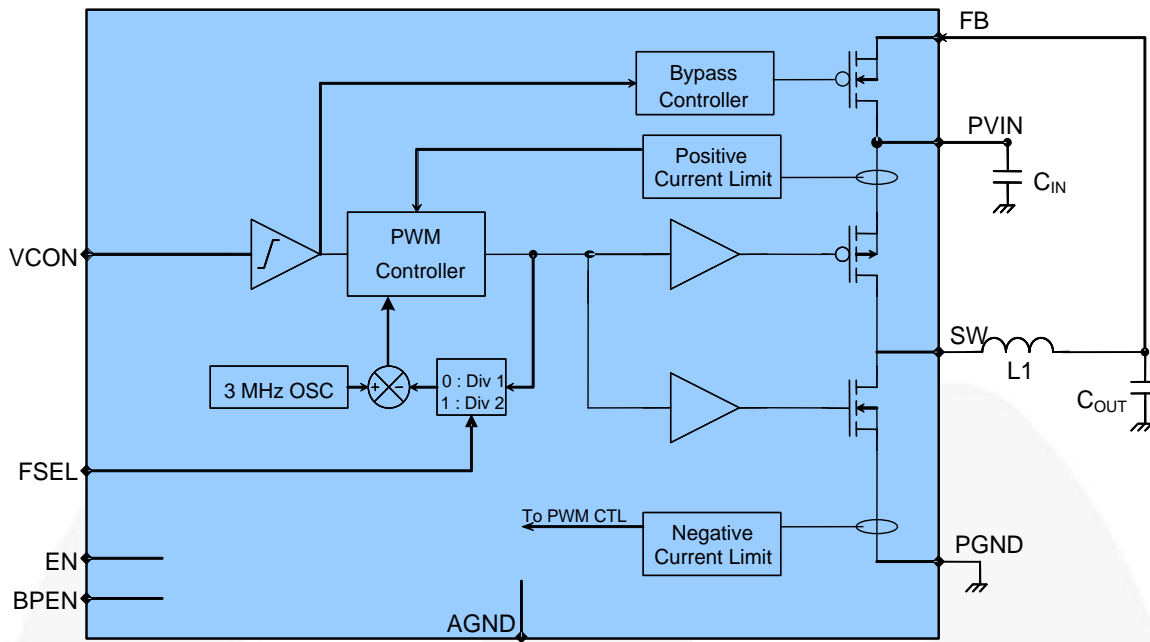


Figure 34. Block Diagram

Operating Mode Description

The FAN5903 is a high-efficiency synchronous step-down DC-DC converter operating with a Current-Mode control. It adjusts the output voltage, V_{OUT} , depending on the set voltage V_{CON} provided by an external DAC. Regulated V_{OUT} is set to 2.5 times input voltage V_{CON} .

The DC-DC operates in PWM Mode or PFM Mode, depending on the output voltage and load current. Bypass Mode is supported where the output voltage is shorted to the input voltage via a low on-state resistance bypass FET.

The FAN5903 supports a wide range of load currents. High-current applications, up to a DC output of 800 mA, mandated by 3G/3.5G and 4G applications, for example, are supported. System performance may be optimized by enabling the DC-DC to run at either a 3 MHz or 6 MHz switching rate.

Auto Mode

In Pulse Width Modulation (PWM) Mode, regulation starts with an on-state where a P-channel transistor is turned on and the inductor current is ramped up until the off state begins. In the off state, the P-channel is switched off and an N-channel transistor is turned on. The inductor current decreases to maintain an average value equal to the DC load current. The inductor current is continuously

monitored. A current sense flags when the P-channel transistor current exceeds the current limit and the switcher is turned off to decrease the inductor current and prevent magnetic saturation. Similarly, the current sense flags when the N-channel transistor current exceeds the current limit and re-directs discharging current through the inductor back to the battery.

In Pulse Frequency Modulation (PFM) Mode, at low output voltages and load currents, typically less than 100 mA; the DC-DC operates in a constant On-Time Mode. In the on-state, the P-channel is turned on during a well-defined on-time before switching to the off state, whereby the N-channel switch is turned on and the inductor current is decreased to 0 A. The switcher output is put into high-resistance state until the new regulation cycle starts.

PFM Mode realizes high efficiency while maintaining RF system performance down to low load currents.

Bypass Mode

In Bypass Mode, the FAN5903 operates at 100% duty cycle with the bypass FET turned on. This enables a very low voltage dropout with up to 2.4 A DC load current. In applications with 3G/3.5G and 4G PAs, the Bypass Mode typically handles 800 mA.

Table 1. Mode Descriptions

#	Mode	Mode Description	Conditions			
			FSEL	BPEN	EN	VCON
1	Shutdown Mode	The whole IC is disabled.	X	X	0	0
2	Sleep Mode	The DC-DC is in Sleep Mode and consumes less than 70 μ A of current.	X	X	1	0
3	6 MHz Auto Mode	The DC-DC is in Auto Mode and switches at 6 MHz. ^(6,7)	0	0	1	1
4	3 MHz Auto Mode	The DC-DC is in Auto Mode and switches at 3 MHz.	1	0	1	1
5	Bypass Mode	The bypass FET is forced ON. The DC-DC is set to 100% duty cycle.	X	1	1	1

Notes:

6. When V_{OUT} exceeds $V_{IN} - 200$ mV, the bypass FET is enabled and the DC-DC goes to 100% duty cycle. When $V_{OUT} \leq V_{IN} - 375$ mV, the bypass FET is disabled and the DC-DC goes to Auto Mode.
7. When the load current is smaller than PFM current threshold, the DC-DC changes to PFM Mode.

DC Output Voltage

The output voltage of the DC-DC is determined by V_{CON} , provided by an external DAC or voltage reference:

$$V_{OUT} = 2.5 \times V_{CON} \quad (1)$$

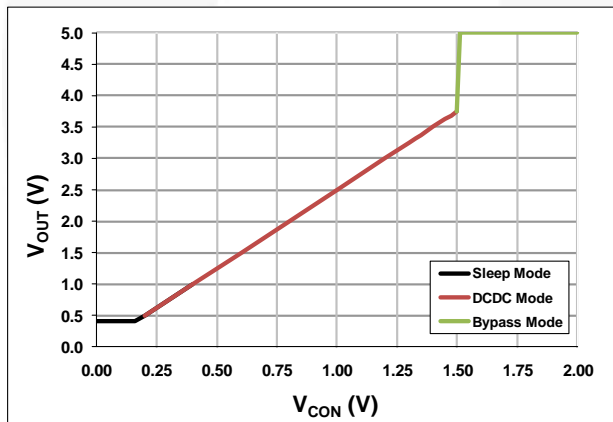


Figure 35. Output Voltage vs. Control Voltage

The DC-DC is able to provide a regulated V_{OUT} only if V_{CON} is between 0.16 V to 1.40 V. This allows V_{OUT} to be adjusted between 0.40 V and 3.50 V. If V_{CON} is below this range, V_{OUT} is clamped to 0.40 V as minimum and enters bypass for $V_{CON} > 1.50$ V. If V_{CON} is less than 50 mV, FAN5903 enters a non-regulated Sleep Mode. This reduces current consumption to less than 70 μ A while allowing for a rapid return to regulation.

FAN5903 automatically switches between PFM, PWM, and Bypass Modes.

The DC-DC is able to provide a regulated V_{OUT} only if the battery voltage is 200 mV greater than V_{OUT} .

Bypass Mode

The trigger to enter Bypass Mode is based on the voltage difference between the battery voltage (sensed through the PVIN pin) and the internally generated reference voltage, V_{REF} , as depicted in Figure 36. The DC-DC enters Bypass Mode when $V_{IN} = V_{OUT} + 200$ mV. It then turns into 100% duty cycle and the low- $R_{DS(ON)}$ bypass FET is turned on. As V_{OUT} approaches V_{IN} ; the DC-DC operates in a constant off-time mode, the frequency is decreased to achieve a high duty cycle, and the system continues to run in a regulated mode until the bypass condition is satisfied.

As noted above, Bypass Mode is also entered when V_{CON} exceeds 1.5 V.

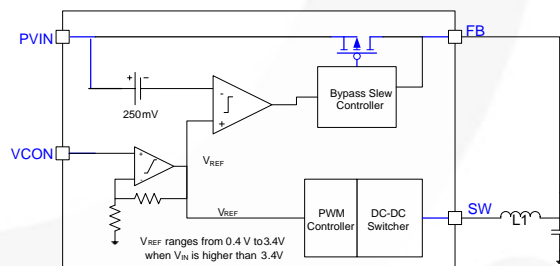


Figure 36. Enabling Bypass Transistor Circuit

The bypass FET is turned on progressively using a slew rate controller to limit the inrush current. The inrush current is expressed as a function of the specified slew rate as follows:

$$I_{INRUSH} \approx C_{OUT} \frac{\Delta V_{OUT}}{\Delta t} = C_{OUT} \cdot V_{BP_SLEW} \quad (2)$$

The slew rate controller is not used when releasing the Bypass Mode.

Switching Frequency Selection (FSEL)

In some cases, it may be desirable to change the DC-DC's switching frequency from 6 MHz (FSEL = 0) to 3 MHz (FSEL = 1). At 3 MHz operation the DC-DC's efficiency is generally higher than that at 6 MHz. The primary tradeoff with this is increased voltage ripple at the lower frequency. A 1.0 μ H inductor may be used in 3 MHz operation to optimize efficiency and ripple.

The FAN5903 is designed to have minimal impact on the RF output spectrum at either switching frequency.

Dynamic Output Voltage Transitions

The FAN5903 has a complex voltage transition controller that realizes less than 10 μ s transition times with a large output capacitor and output voltage ranges.

The transition controller manages five transitions:

- ΔV_{OUT} positive step
- ΔV_{OUT} negative step
- ΔV_{OUT} transition to or from Bypass Mode
- ΔV_{OUT} transition at startup
- ΔV_{OUT} transition after BPEN

In most cases, sharp V_{CON} transitions and letting the transition controller optimize the output voltage slew rate are recommended.

ΔV_{OUT} Positive Step

After a V_{CON} positive step, the DC-DC enters a Current-Limit Mode, where V_{OUT} ramps with a constant slew rate dictated by the output capacitor and the current limit.

ΔV_{OUT} Negative Step

After a V_{CON} negative step, the DC-DC enters Current-Limit Mode, where V_{OUT} is reduced with a constant slew rate dictated by the output capacitor and the current limit.

V_{OUT} Transition to or from Bypass Mode

The transition to or from Bypass Mode requires the bypass conditions be met. The FAN5903 performs detection of the bypass conditions 2 μ s after V_{CON} transition and enables the required charging / discharging circuit to realize a transition time of 10 μ s.

V_{OUT} Transition at Startup

At startup, after EN rising edge is detected, the system requires 40 μ s to enable all internal voltage references and amplifiers before enabling the DC-DC function.

V_{OUT} Transition After BPEN

When BPEN goes HIGH, the controller dismisses the internal bypass flags and sensors and enables Bypass Mode. However, the transition is managed with the same current limit and slew rate used during regular transitions.

Thermal Protection

If the junction temperature exceeds the maximum specified junction temperature, the FAN5903 enters Power-Down Mode (except the thermal detection circuit).

Sleep Mode

The FAN5903 offers a Sleep mode to minimize current, while also enabling a rapid return to regulation. Sleep Mode is entered when V_{CON} is held below 50 mV for at least 40 μ s. In this mode, current consumption is reduced to under 70 μ A. Sleep Mode is exited after approximately 12 μ s when V_{CON} is set above 135 mV.

Typical Voltage Transitions

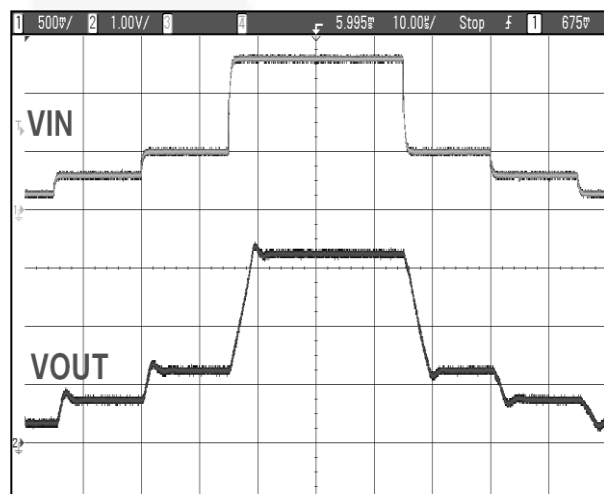


Figure 37. Rise and Fall Times for 300 mV, 500 mV, and 2 V ΔV_{OUT} ($V_{IN} = 3.7$ V)

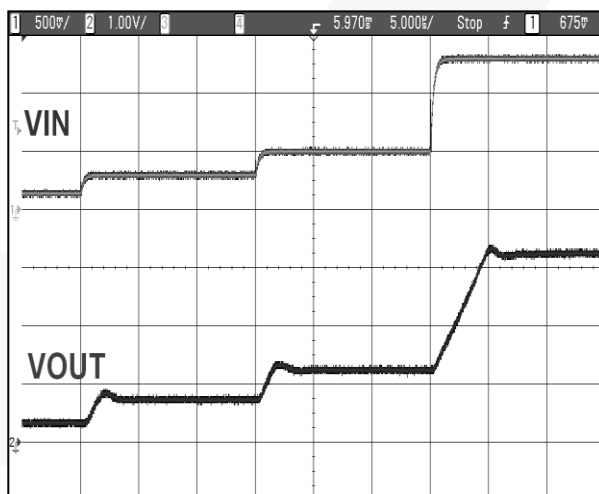


Figure 38. Rise Times for 300 mV, 500 mV, and 2 V ΔV_{OUT} ($V_{IN} = 3.7$ V)

Application Information

Figure 39 illustrates an application of the FAN5903 in a 3G / 4G transmitter. The FAN5903 is designed for driving multiple PAs. Figure 40 presents a timing diagram designed to meet WCDMA specifications. The FAN5903 supports voltage transients less than 10 μ s.

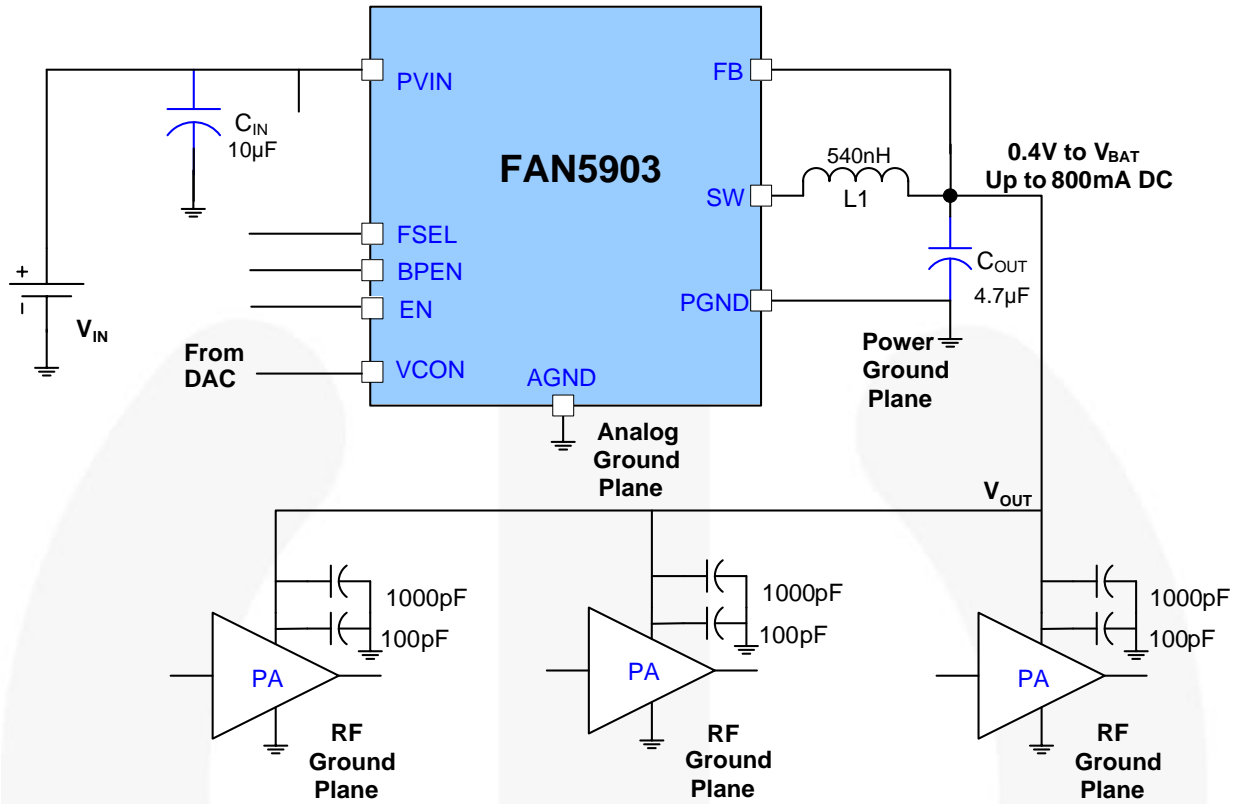


Figure 39. Typical Application Diagram of FAN5903 Supplying Power to Three 3G or 4G PAs

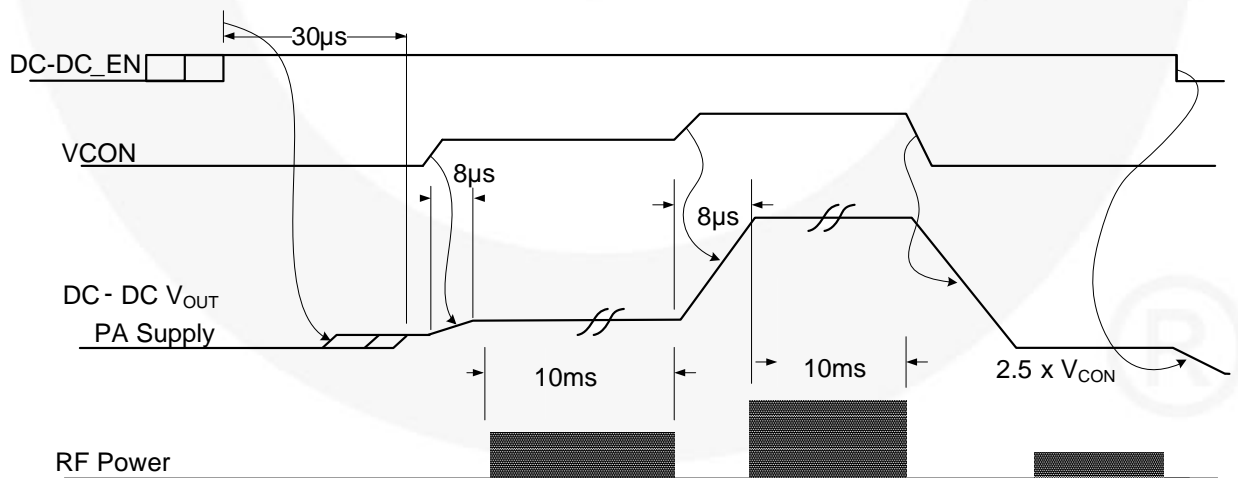


Figure 40. Timing Diagram for 3G/4G Transmitters

Application Information

Inductor Selection

The FAN5903 is able to operate at 3 MHz or 6 MHz switching frequency, so 470 nH (or 540 nH) or 1.0 μ H inductors can be used, respectively. To achieve optimum efficiency, it is recommended that the FAN5903 switch at 3 MHz (FSEL = HIGH), using a 1.0 μ H inductor. For applications that require the smallest possible PCB area, the FAN5903 should be configured for 6 MHz operation (FSEL = LOW) to allow use of a 470 nH or 540 nH 2012 inductor.

Table 2. Recommended Inductors

Inductor	f_{sw}	Description
L1	6 MHz	470 nH, $\pm 20\%$, 1100 mA, 2012 (metric) Murata: LQM21PNR47MC0
		470 nH, $\pm 30\%$, 1200 mA, 2012 (metric) Panasonic: ELGTEAR47NA
	3 MHz	540 nH, $\pm 20\%$, 1300 mA, 2012 (metric) Murata: LQM21PNR54MG0
		1.0 μ H, $\pm 20\%$, 2500 mA, 3030 (metric) Coilcraft: XFL3010-102ME

Capacitor Selection

The minimum required output capacitor C_{OUT} is 4.7 μ F, 6.3 V, X5R with an ESR of 10 m Ω or lower and an ESL of 0.3 nH or lower. Larger case sizes result in increased loop parasitic inductance and higher noise.

A 0.1 μ F capacitor may be added in parallel with C_{OUT} to reduce the effect of the capacitor's parasitic inductance.

Table 3. Recommended Capacitor Values

Capacitor	Description
C_{IN}	10 μ F, $\pm 20\%$, X5R, 10 V
C_{OUT}	4.7 μ F, $\pm 20\%$, X5R, 6.3 V
C on V_{CON}	470 pF, $\pm 20\%$, X5R

Filter V_{CON}

V_{CON} is the analog control pin of the DC-DC and should be connected to an external Digital-to-Analog Converter (DAC). It is recommended to place up to 470 pF decoupling capacitance between V_{CON} and AGND to filter the DAC noise. This capacitor also helps protect the DAC from the DC-DC high-frequency switching noise coupled through the V_{CON} pin.

Any noise on the V_{CON} input is transferred to V_{OUT} with a gain of two and a half (2.5). If the DAC output is noisy, a series resistor may be inserted between the DAC output and the capacitor to form an RC filter.

Follow these guidelines:

- Use a low noise source or a driver with good PSRR to generate V_{CON} .
- The V_{CON} driver must be referenced to AGND.
- V_{CON} routing must be protected against PVIN, SW, PGND signals, and other noisy signals. Use AGND shielding for better isolation.
- Be sure the DAC output can drive the 470 pF capacitor on V_{CON} . It may be necessary to insert a low value resistor to ensure DAC stability without slowing V_{CON} fast transition times.

No Floating Inputs

The FAN5903 does not have internal pull-down resistors on its inputs. Therefore, unused inputs should not be left floating and should be pulled HIGH or LOW.

PCB Layout & Component Placement

- Make sure the FAN5903, C_{IN} , and C_{OUT} are all tied to the same power ground (PGND). This minimizes the parasitic inductance of the switching loop paths.
- Place PGND on the top layer and connect it to the AGND ground plane next to C_{OUT} using several vias.
- Ensure that the routing loop, PVIN – PGND – VOUT is the shortest possible.
- Place the inductor away from the FB connection to prevent unpredictable loop behavior.
- Use the application circuit layout in Figure 41 whenever possible. The performance of this layout has been verified.
- Review the layout guidelines for the IC package. This is especially important for the WLCSP package. Refer to “*Surface Mount Assembly of Amkor’s Eutectic and Lead-Free CSPnTM Wafer-Level Chip-Scale Package*” available from the Amkor website.
- PVIN and PGND must be routed with the widest and shortest traces possible. It is acceptable for the traces connecting the inductor to be long rather than having long PVIN or PGND traces. The SW node is a source of electrical switching noise. Do not route it near sensitive analog signals.
- Two small vias are used to connect the SW node to the inductor L1. Use solder-filled vias if available.
- The connection from C_{OUT} to FB should be wide to minimize the Bypass mode voltage drop and the series inductance. Even if the current in Bypass Mode is small, keep this trace short and at least 5mm wide.
- The ground plane should be not be broken into pieces. Ground currents must have a direct, wide path from input to output.

- Each capacitor should have at least two dedicated ground vias. Place vias within 0.1 mm of the capacitors.
- Ensure the traces are wide enough to handle the maximum current value, especially in Bypass Mode.
- Ensure the vias are able to handle the current density. Use metal-filled vias if available.

Assembly

- Use metal-filled or solder-filled vias if available.
- Poor soldering can cause low DC-DC conversion efficiency. If the efficiency is low, X-ray the solder connections to verify their integrity.

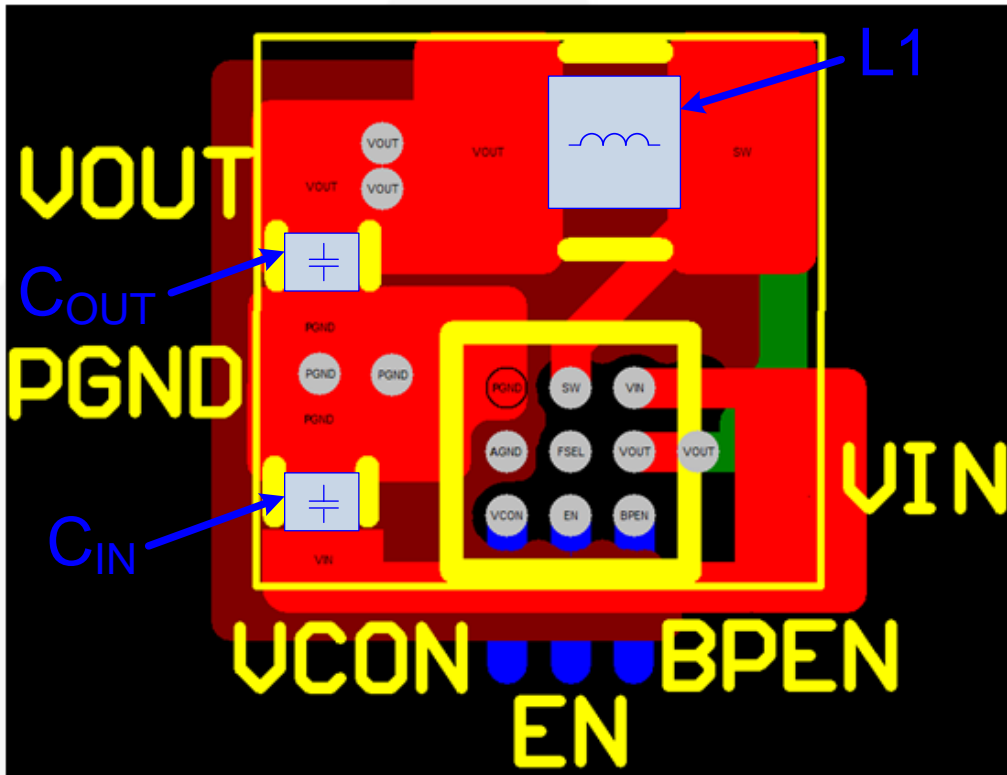
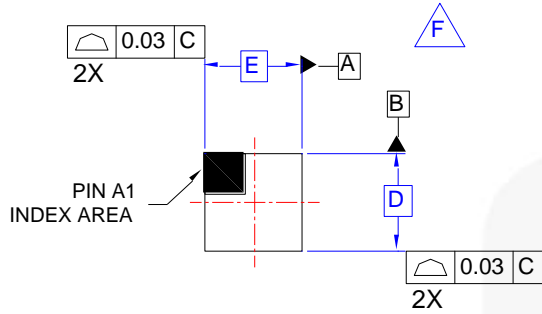
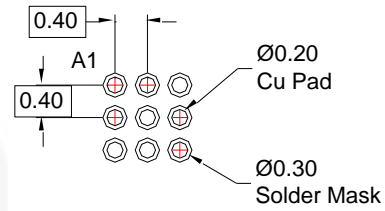


Figure 41. Recommended PCB Layout

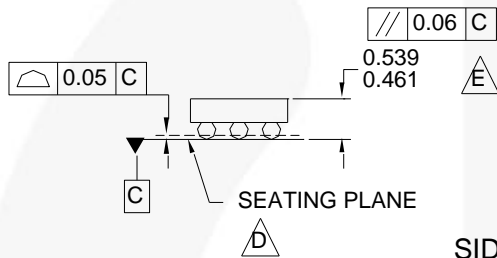
Physical Dimensions



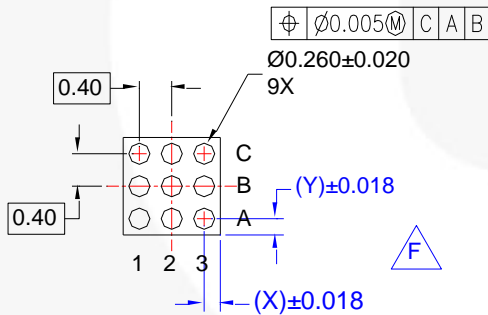
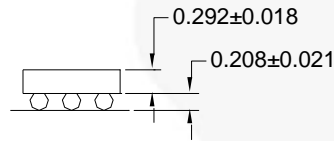
TOP VIEW



LAND PATTERN RECOMMENDATION (NSMD PAD TYPE)



SIDE VIEWS



BOTTOM VIEW

NOTES:

- A. NO JEDEC REGISTRATION APPLIES.
- B. DIMENSIONS ARE IN MILLIMETERS.
- C. DIMENSIONS AND TOLERANCE PER ASMEY14.5M, 1994.
- D. DATUM C IS DEFINED BY THE SPHERICAL CROWNS OF THE BALLS.
- E. PACKAGE NOMINAL HEIGHT IS 500 MICRONS ±39 MICRONS (461-539 MICRONS).
- F. FOR DIMENSIONS D, E, X, AND Y SEE PRODUCT DATASHEET.
- G. DRAWING FILNAME: MKT-UC009ARev1

Product	D	E	X	Y	Unit
FAN5903UCX	1.292 ± 0.030	1.342 ± 0.030	0.271	0.246	mm


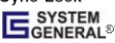



Figure 42. 1.34 x 1.29 mm, 9-Bump, 0.4 mm-Pitch WLCSP

Package drawings are provided as a service to customers considering Fairchild components. Drawings may change in any manner without notice. Please note the revision and/or date on the drawing and contact a Fairchild Semiconductor representative to verify or obtain the most recent revision. Package specifications do not expand the terms of Fairchild's worldwide terms and conditions, specifically the warranty therein, which covers Fairchild products.

Always visit Fairchild Semiconductor's online packaging area for the most recent package drawings:
<http://www.fairchildsemi.com/packaging/>


TRADEMARKS

The following includes registered and unregistered trademarks and service marks, owned by Fairchild Semiconductor and/or its global subsidiaries, and is not intended to be an exhaustive list of all such trademarks.

2Cool™	FPS™		Sync-Lock™
AccuPower™	F-PFS™	PowerTrench®	 SYSTEM GENERAL®
AX-CAP®*	FRFET®	PowerXS™	TinyBoost™
BitSiC™	Global Power Resource™	Programmable Active Droop™	TinyBuck™
Build it Now™	GreenBridge™	QFET®	TinyCalc™
CorePLUS™	Green FPS™	QS™	TinyLogic®
CorePOWER™	Green FPS™ e-Series™	Quiet Series™	TINYOPTO™
CROSSVOLT™	Gmax™	RapidConfigure™	TinyPower™
CTL™	GTO™	 Saving our world, 1mW/W/kW at a time™	TinyPVM™
Current Transfer Logic™	IntelliMAX™	SignalWise™	TinyWire™
DEUXPEED®	ISOPLANAR™	SmartMax™	TranSiC™
Dual Cool™	Making Small Speakers Sound Louder and Better™	SMART START™	TriFault Detect™
EcoSPARK®	MegaBuck™	Solutions for Your Success™	TRUECURRENT®*
EfficientMax™	MICROCOUPLER™	SPM®	 SerDes™
ESBC™	MicroFET™	STEALTH™	UHC®
 Fairchild®	MicroPak™	SuperFET®	Ultra FRFET™
Fairchild Semiconductor®	MicroPak2™	SuperSOT™-3	UniFET™
FACT Quiet Series™	MillerDrive™	SuperSOT™-6	VCM™
FACT®	MotionMax™	SuperSOT™-8	VisualMax™
FAST®	mWSaver™	SupreMOS®	VoltagePlus™
FastvCore™	OptoHiT™	SyncFET™	XS™
FETBench™	OPTOLOGIC®		
	OPTOPLANAR®		

* Trademarks of System General Corporation, used under license by Fairchild Semiconductor.

DISCLAIMER

FAIRCHILD SEMICONDUCTOR RESERVES THE RIGHT TO MAKE CHANGES WITHOUT FURTHER NOTICE TO ANY PRODUCTS HEREIN TO IMPROVE RELIABILITY, FUNCTION, OR DESIGN. FAIRCHILD DOES NOT ASSUME ANY LIABILITY ARISING OUT OF THE APPLICATION OR USE OF ANY PRODUCT OR CIRCUIT DESCRIBED HEREIN; NEITHER DOES IT CONVEY ANY LICENSE UNDER ITS PATENT RIGHTS, NOR THE RIGHTS OF OTHERS. THESE SPECIFICATIONS DO NOT EXPAND THE TERMS OF FAIRCHILD'S WORLDWIDE TERMS AND CONDITIONS, SPECIFICALLY THE WARRANTY THEREIN, WHICH COVERS THESE PRODUCTS.

LIFE SUPPORT POLICY

FAIRCHILD'S PRODUCTS ARE NOT AUTHORIZED FOR USE AS CRITICAL COMPONENTS IN LIFE SUPPORT DEVICES OR SYSTEMS WITHOUT THE EXPRESS WRITTEN APPROVAL OF FAIRCHILD SEMICONDUCTOR CORPORATION.

As used herein:

1. Life support devices or systems are devices or systems which, (a) are intended for surgical implant into the body or (b) support or sustain life, and (c) whose failure to perform when properly used in accordance with instructions for use provided in the labeling, can be reasonably expected to result in a significant injury of the user.
2. A critical component in any component of a life support, device, or system whose failure to perform can be reasonably expected to cause the failure of the life support device or system, or to affect its safety or effectiveness.

ANTI-COUNTERFEITING POLICY

Fairchild Semiconductor Corporation's Anti-Counterfeiting Policy. Fairchild's Anti-Counterfeiting Policy is also stated on our external website, www.fairchildsemi.com, under Sales Support.

Counterfeiting of semiconductor parts is a growing problem in the industry. All manufacturers of semiconductor products are experiencing counterfeiting of their parts. Customers who inadvertently purchase counterfeit parts experience many problems such as loss of brand reputation, substandard performance, failed applications, and increased cost of production and manufacturing delays. Fairchild is taking strong measures to protect ourselves and our customers from the proliferation of counterfeit parts. Fairchild strongly encourages customers to purchase Fairchild parts either directly from Fairchild or from Authorized Fairchild Distributors who are listed by country on our web page cited above. Products customers buy either from Fairchild directly or from Authorized Fairchild Distributors are genuine parts, have full traceability, meet Fairchild's quality standards for handling and storage and provide access to Fairchild's full range of up-to-date technical and product information. Fairchild and our Authorized Distributors will stand behind all warranties and will appropriately address any warranty issues that may arise. Fairchild will not provide any warranty coverage or other assistance for parts bought from Unauthorized Sources. Fairchild is committed to combat this global problem and encourage our customers to do their part in stopping this practice by buying direct or from authorized distributors.

PRODUCT STATUS DEFINITIONS
Definition of Terms

Datasheet Identification	Product Status	Definition
Advance Information	Formative / In Design	Datasheet contains the design specifications for product development. Specifications may change in any manner without notice.
Preliminary	First Production	Datasheet contains preliminary data; supplementary data will be published at a later date. Fairchild Semiconductor reserves the right to make changes at any time without notice to improve design.
No Identification Needed	Full Production	Datasheet contains final specifications. Fairchild Semiconductor reserves the right to make changes at any time without notice to improve the design.
Obsolete	Not In Production	Datasheet contains specifications on a product that is discontinued by Fairchild Semiconductor. The datasheet is for reference information only.

Rev. I64

ON Semiconductor and  are trademarks of Semiconductor Components Industries, LLC dba ON Semiconductor or its subsidiaries in the United States and/or other countries. ON Semiconductor owns the rights to a number of patents, trademarks, copyrights, trade secrets, and other intellectual property. A listing of ON Semiconductor's product/patent coverage may be accessed at www.onsemi.com/site/pdf/Patent-Marking.pdf. ON Semiconductor reserves the right to make changes without further notice to any products herein. ON Semiconductor makes no warranty, representation or guarantee regarding the suitability of its products for any particular purpose, nor does ON Semiconductor assume any liability arising out of the application or use of any product or circuit, and specifically disclaims any and all liability, including without limitation special, consequential or incidental damages. Buyer is responsible for its products and applications using ON Semiconductor products, including compliance with all laws, regulations and safety requirements or standards, regardless of any support or applications information provided by ON Semiconductor. "Typical" parameters which may be provided in ON Semiconductor data sheets and/or specifications can and do vary in different applications and actual performance may vary over time. All operating parameters, including "Typicals" must be validated for each customer application by customer's technical experts. ON Semiconductor does not convey any license under its patent rights nor the rights of others. ON Semiconductor products are not designed, intended, or authorized for use as a critical component in life support systems or any FDA Class 3 medical devices or medical devices with a same or similar classification in a foreign jurisdiction or any devices intended for implantation in the human body. Should Buyer purchase or use ON Semiconductor products for any such unintended or unauthorized application, Buyer shall indemnify and hold ON Semiconductor and its officers, employees, subsidiaries, affiliates, and distributors harmless against all claims, costs, damages, and expenses, and reasonable attorney fees arising out of, directly or indirectly, any claim of personal injury or death associated with such unintended or unauthorized use, even if such claim alleges that ON Semiconductor was negligent regarding the design or manufacture of the part. ON Semiconductor is an Equal Opportunity/Affirmative Action Employer. This literature is subject to all applicable copyright laws and is not for resale in any manner.

PUBLICATION ORDERING INFORMATION

LITERATURE FULFILLMENT:

Literature Distribution Center for ON Semiconductor
19521 E. 32nd Pkwy, Aurora, Colorado 80011 USA
Phone: 303-675-2175 or 800-344-3860 Toll Free USA/Canada
Fax: 303-675-2176 or 800-344-3867 Toll Free USA/Canada
Email: orderlit@onsemi.com

N. American Technical Support: 800-282-9855 Toll Free
USA/Canada
Europe, Middle East and Africa Technical Support:
Phone: 421 33 790 2910
Japan Customer Focus Center
Phone: 81-3-5817-1050

ON Semiconductor Website: www.onsemi.com
Order Literature: <http://www.onsemi.com/orderlit>
For additional information, please contact your local
Sales Representative