

## LT-Series

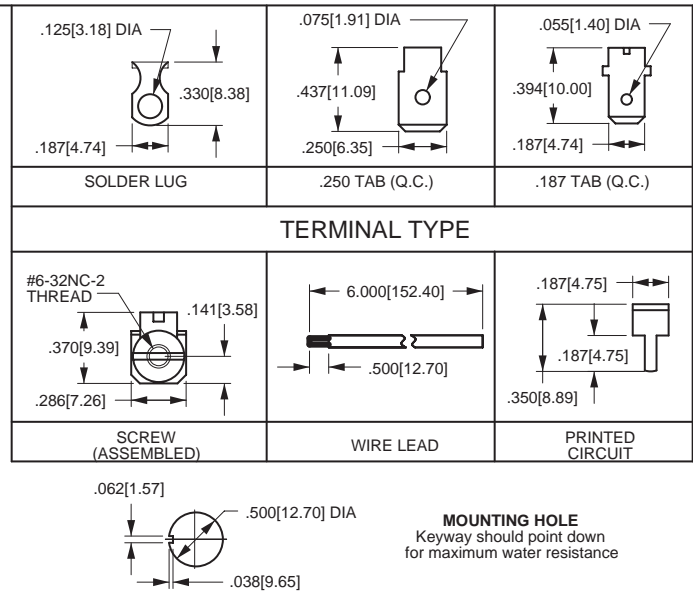
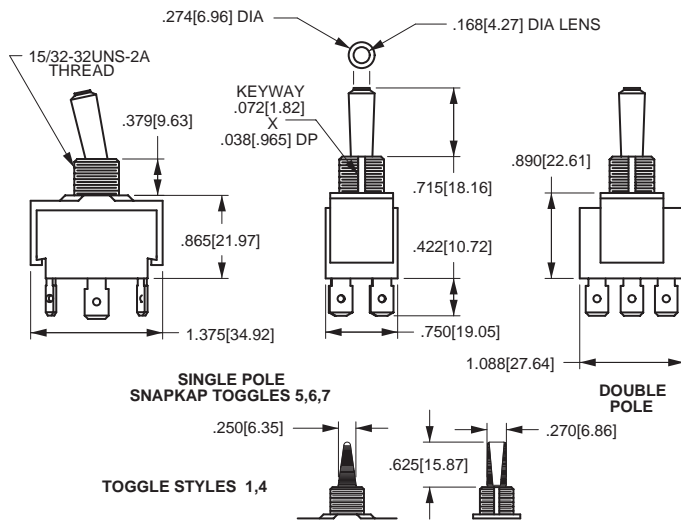


The LT-Series illuminated toggle switches feature a three-color lighting sequence from a single lamp. These lighted toggles contain neoprene bushing seals for dust and moisture protection. A variety of circuits and terminations are available.

### Specifications

- Dielectric Strength: 1,000 V (minimum)
- Insulation Resistance: 100 Megohms (minimum)
- Base Material: Phenolic
- Actuator Material: Polycarbonate
- Bushing Material: Polycarbonate

### Dimensional Specifications: in. [mm]



## LT - 1 5 6 1 - 1 13 - 012

### SERIES

LT LIGHTED TOGGLE

### POLES

- 1 SINGLE POLE IN A DOUBLE POLE BASE
- 2 DOUBLE POLE IN A TRIPLE POLE BASE

### RATING

- 5 10A 250VAC
- 15A 125VAC
- 3/4HP 125-250VAC

### CIRCUIT

- 1 ON-NONE-OFF
- 2 ON-NONE-(OFF)
- 3 (ON)-NONE-OFF
- 4 ON-NONE-ON
- 5 ON-NONE-(ON)
- 6 ON-OFF-ON
- 7 ON-OFF-(ON)
- 8 (ON)-OFF-(ON)

### TERMINATION

- 0 SOLDER LUG
- 1 .250TAB (QC)
- 3 .187TAB (QC)
- 4 SCREW TERM.
- 5 WIRE LEAD
- 6 PC TERM.

### LIGHTING SEQUENCE<sup>3</sup>

	POS 1	POS 2	POS 3		POS 1	POS 2	POS 3
01	RED	RED	RED	32	GREEN	CLEAR	AMBER
02	AMBER	AMBER	AMBER	33	GREEN	CLEAR	GREEN
03	GREEN	GREEN	GREEN	34	GREEN	CLEAR	BLUE
10	RED	----	NONE	35	GREEN	CLEAR	CLEAR
11	RED	CLEAR	RED	40	BLUE	----	NONE
12	RED	CLEAR	AMBER	41	BLUE	CLEAR	RED
13	RED	CLEAR	GREEN	42	BLUE	CLEAR	AMBER
14	RED	CLEAR	BLUE	43	BLUE	CLEAR	GREEN
15	RED	CLEAR	CLEAR	44	BLUE	CLEAR	BLUE
20	AMBER	----	NONE	45	BLUE	CLEAR	CLEAR
21	AMBER	CLEAR	RED	50	CLEAR	----	NONE
22	AMBER	CLEAR	AMBER	51	CLEAR	CLEAR	RED
23	AMBER	CLEAR	GREEN	52	CLEAR	CLEAR	AMBER
24	AMBER	CLEAR	BLUE	53	CLEAR	CLEAR	GREEN
25	AMBER	CLEAR	CLEAR	54	CLEAR	CLEAR	BLUE
30	GREEN	----	NONE	55	CLEAR	CLEAR	CLEAR
31	GREEN	CLEAR	RED				

### TOGGLE STYLE

- PADDLE<sup>1</sup>
- 1 CLEAR
- 4 SOLID COLOR
- SNAPKAP<sup>2</sup>
- 5 BRIGHT CHROME
- 6 SATIN CHROME
- 7 BLACK MOLDED

### LAMP VOLTAGE<sup>4</sup>

- 006 6V
- 012 12V
- 018 18V
- 024 24V
- 125 125N
- 250 250N

### NOTES:

- 1 Shading indicates standard configurations.
- 1 Solid color paddle available with lighting sequence 01, 02, 10 or 20.
- 2 SnapKap Toggle Lenses are available separately. Consult factory.
- 3 Independent lamp is standard. Dependent lamp with ON-OFF function (including momentary) is available with Lighting Sequences 10, 20, 30, 40 and 50. No light in OFF position.
- 4 Green and blue not recommended with 125 volt or 250 volt neon lamps.