

THIS DRAWING IS UNPUBLISHED.

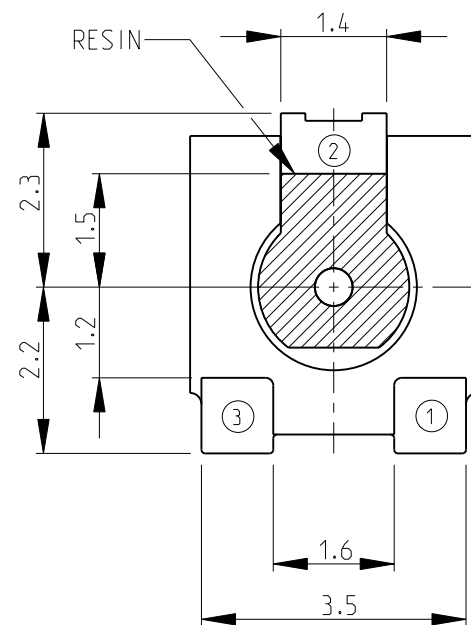
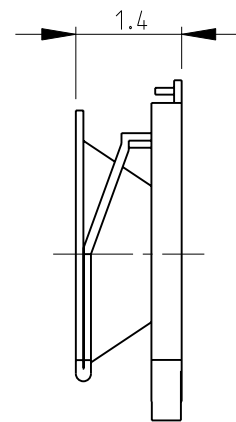
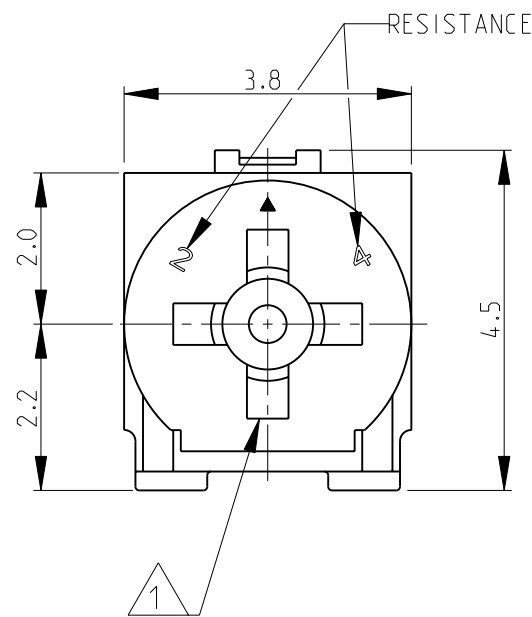
RELEASED FOR PUBLICATION

2008

© COPYRIGHT 2008 BY -

ALL RIGHTS RESERVED.

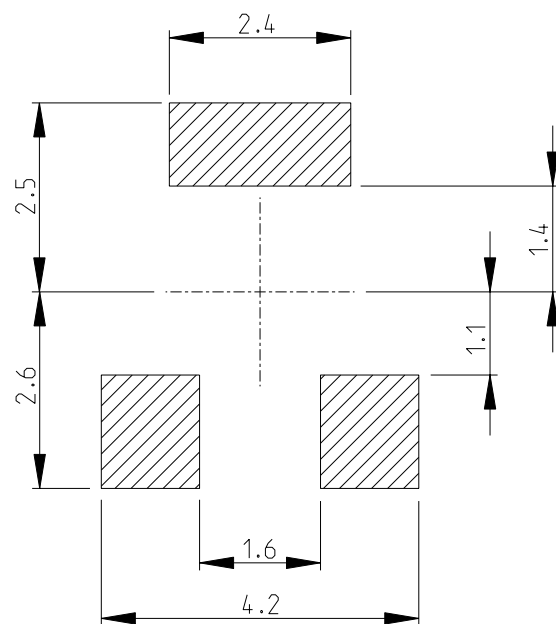
LOC	DIST	REVISIONS				
P	LTR	DESCRIPTION	DATE	DWN	APVD	
E	B	BB1	REVISED PER ECO-11-005150	29MAR2011	RK	HMR



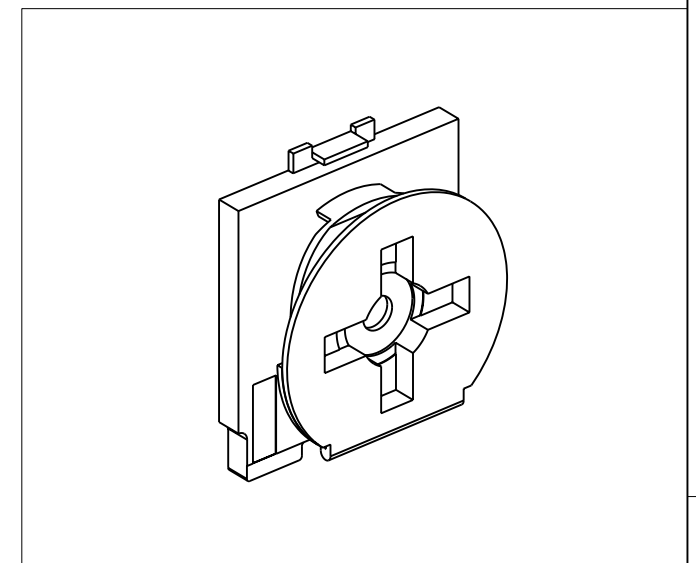
1 DRIVER SLOT: WIDTH- 0.55mm, LENGTH- 2.5mm, DEPTH- 0.35mm


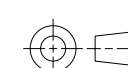
2 FOR FURTHER INFORMATION SEE DATA SHEET FOR 3150 SERIES-SMD ECONOMY TRIMMERS

RECOMMENDED LAND PATTERN



RoHS Compliant



THIS DRAWING IS A CONTROLLED DOCUMENT.		DWN	SUBHASH.M 12-NOV-08		 TE Connectivity								
DIMENSIONS: mm		CHK	PRAKASH.S 12-NOV-08										
		APVD	STEPHEN.P 12-NOV-08										
TOLERANCES UNLESS OTHERWISE SPECIFIED:		PRODUCT SPEC	-										
0 PLC ± 0.2 1 PLC ± 0.1 2 PLC ± - 3 PLC ± - 4 PLC ± - ANGLES ± 5°		APPLICATION SPEC	-		NAME	SMD ECONOMY TRIMMERS SERIES 3150							
MATERIAL -		FINISH -	WEIGHT	0.2g		SIZE	A3	CAGE CODE	00779	DRAWING NO	1623913	RESTRICTED TO	-
CUSTOMER DRAWING			SCALE	10:1		SHEET	1 OF 1		REV	BB1			