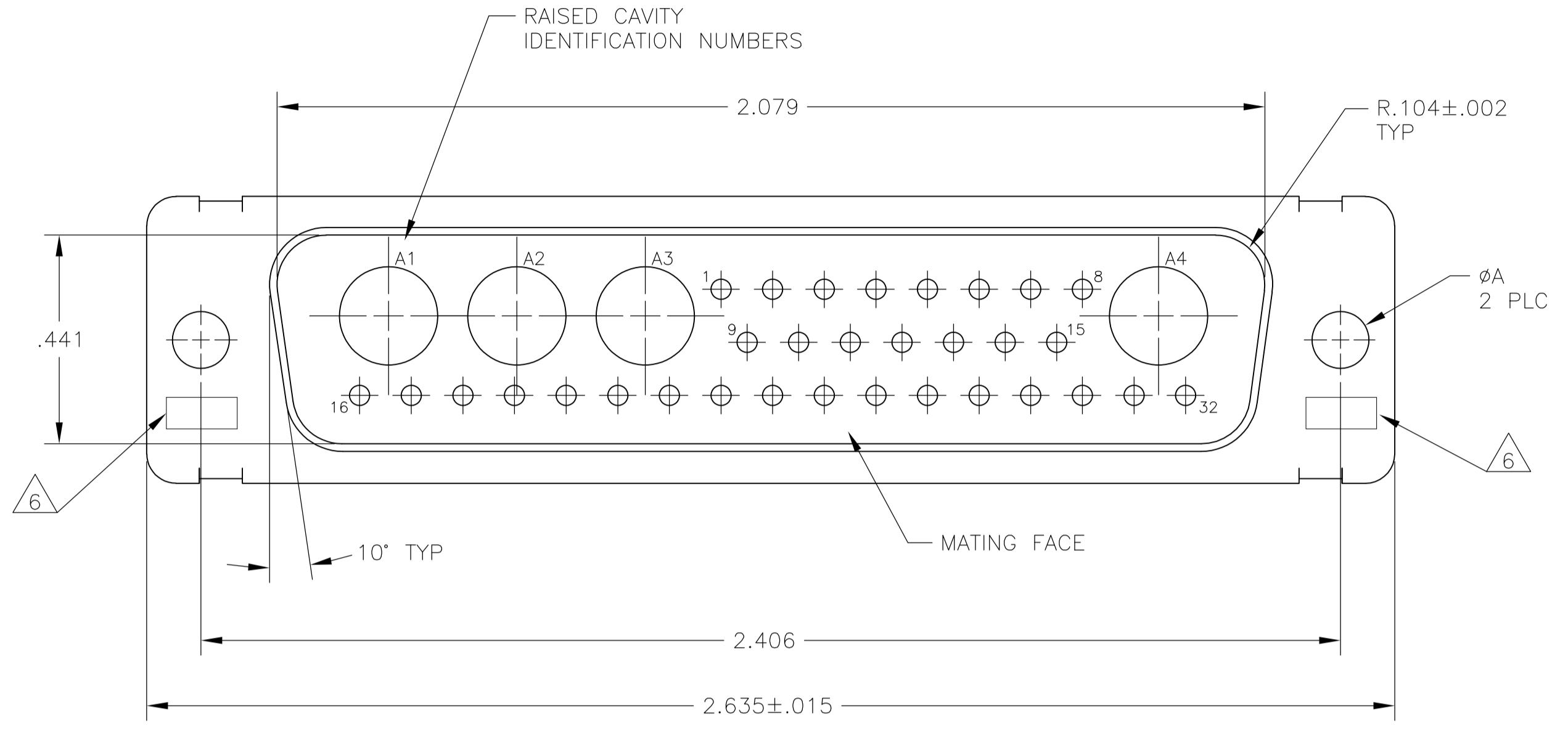
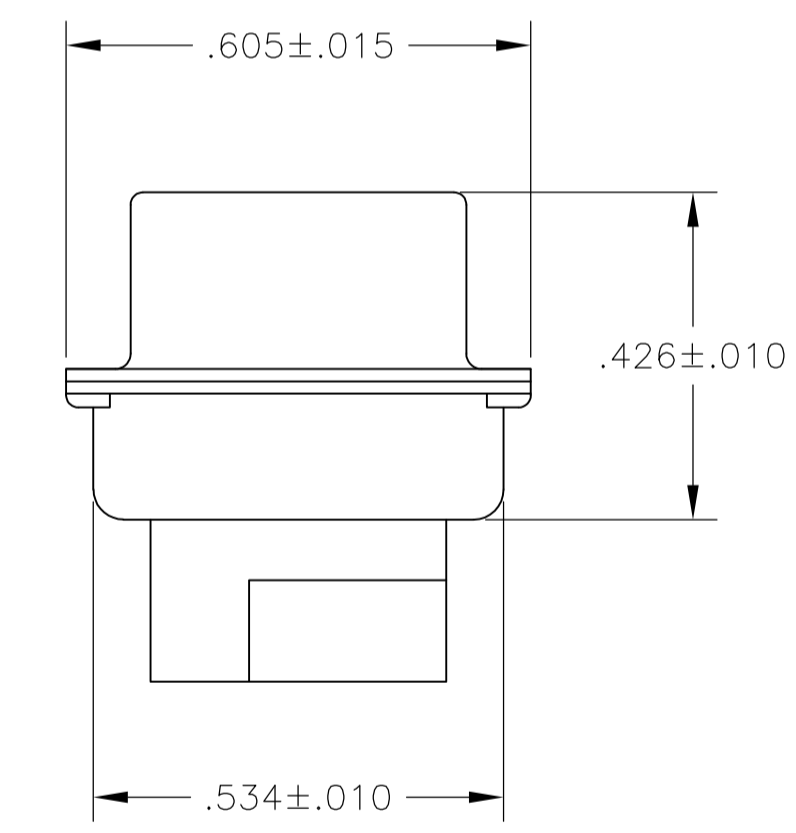
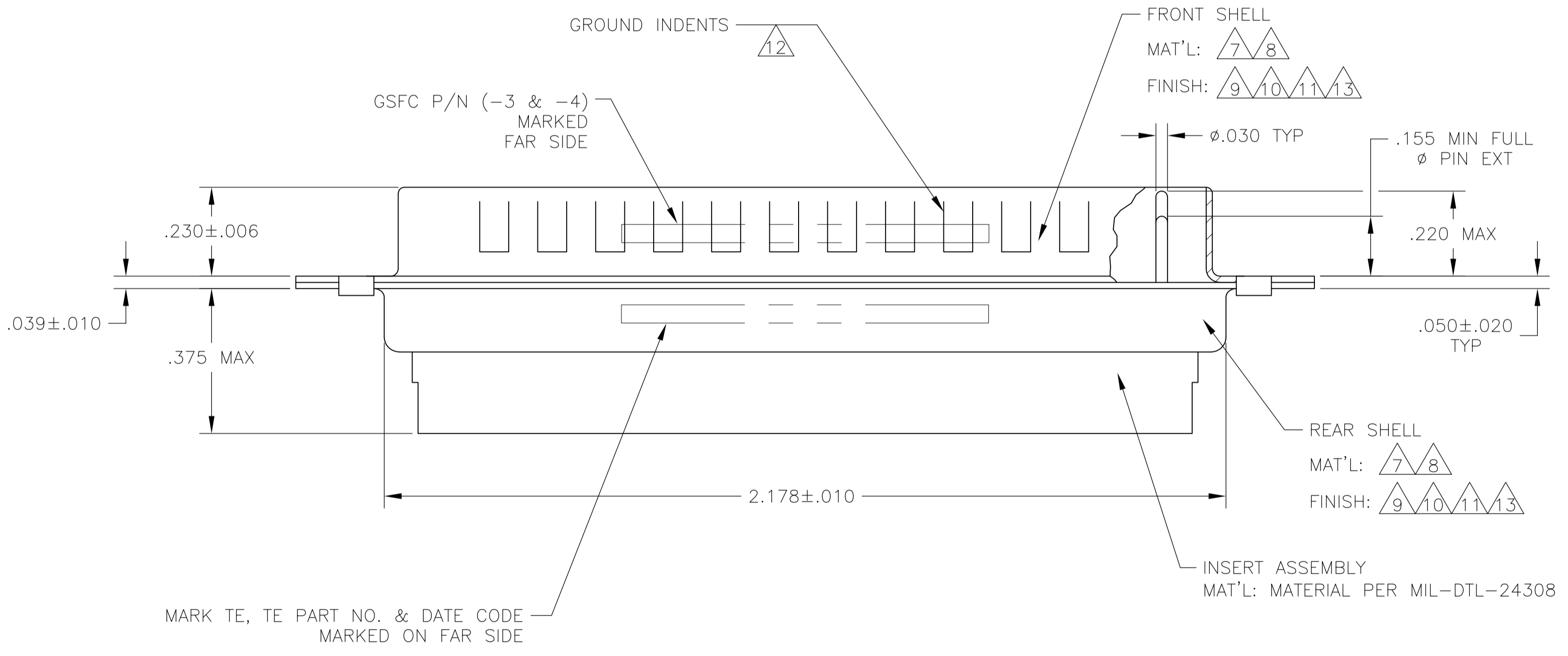


LOC		DIST		REVISIONS			
P	LTR	DESCRIPTION	DATE	DMN	APVD		
P		REVISED PER ECO-15-016251	13NOV15	KG	CD		



- THIS PLUG WILL MATE WITH ANY 36C4, SIZE 5 RECEPTACLE IN AMPLIMITE SERIES.
 - MAXIMUM WIRE INSULATION TO BE USED WITH THIS PLUG IS $\phi.072$.
 - THIS CONNECTOR ACCEPTS (4) POWER 8, OR COAX PIN CONTACTS IN POSITIONS A1 THRU A4, PURCHASED SEPARATELY.
 - THIS CONNECTOR ACCEPTS SIZE 20 PIN SIGNAL CONTACTS IN POSITIONS 1 THRU 32, PURCHASED SEPARATELY.
 - INSERTION/EXTRACTION TOOL USED FOR SIZE 20 PIN SIGNAL CONTACTS IS 91067-2.
- $\triangle 6$ UL/CSA DESIGNATION STAMPED IN THIS AREA, OPTIONAL.
 $\triangle 7$ STEEL PER ASTM-A-109.
 $\triangle 8$ BRASS PER MIL-C-50 AND ASTM-B-36 UNS NO. C26000.
 $\triangle 9$ FINISH: CADMIUM PLATED PER QQ-P-416, TYPE II, CLASS 2.
 $\triangle 10$ FINISH: GOLD PLATED PER MIL-G-45204 TYPE II, GRADE C, CLASS 1 OVER COPPER PER MIL-C-14550, CLASS IV.
 $\triangle 11$ FINISH: TIN PER ASTM-B-545, .000400 MIN THK OVER COPPER PER AMS2418, .000050 MIN THK.
 $\triangle 12$ GROUND INDENTS FOR 208744-5 & 5-208744-5 ONLY.
 $\triangle 13$ FINISH: ZINC PLATE PER ASTM-B-633 .000200-.000400 THK WITH SUPPLEMENTARY CHROMATE (Cr3+).



MARK TE, TE PART NO. & DATE CODE MARKED ON FAR SIDE

$\triangle 7, \triangle 12, \triangle 11$.120	-	5-208744-5
$\triangle 7, \triangle 13$.154	-	5-208744-2
$\triangle 7, \triangle 13$.120	-	5-208744-1
$\triangle 7, \triangle 11, \triangle 12$.120	-	208744-5
$\triangle 8, \triangle 10$.154	311P405-23P-B-15	208744-4
$\triangle 8, \triangle 10$.120	311P405-23P-B-12	208744-3
$\triangle 7, \triangle 9$.154	-	208744-2
$\triangle 7, \triangle 9$.120	-	208744-1
REMARKS	ØA	GSFC P/N	PART NO.

THIS DRAWING IS A CONTROLLED DOCUMENT.

DIMENSIONS: INCHES
 TOLERANCES UNLESS OTHERWISE SPECIFIED:
 0. PLC ± -
 1. PLC ± -
 2. PLC ± -
 3. PLC ± .005(0.13)
 4. PLC ± -
 ANGLES ± 0°30'

MATERIAL: -
 FINISH: -

MANUNATH G.M. 27-May-15
 CHARLES THOMAS 27-May-15
 CHARLES THOMAS 27-May-15

NAME: PLUG ASSEMBLY
 AMPLIMITE 36C4
 SIZE 5, COAX MIX

SIZE: A1
 CAGE CODE: 00779
 DRAWING NO: 208744

CUSTOMER DRAWING
 SCALE: 4:1
 SHEET: 1 of 1
 REV: P

THIS DRAWING IS UNPUBLISHED. RELEASED FOR PUBLICATION - N/A .
 © COPYRIGHT N/A By - ALL RIGHTS RESERVED.