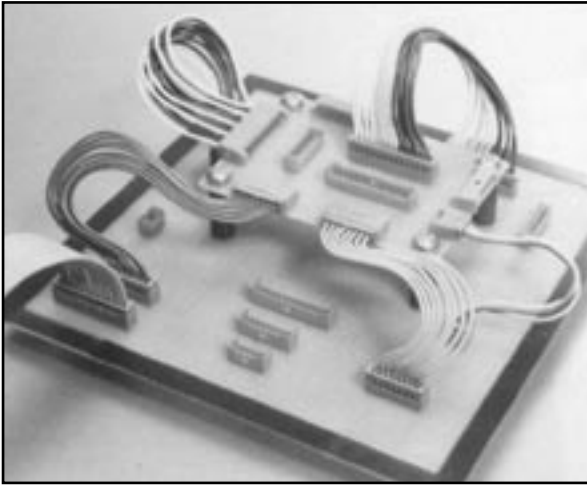


IL-Z SERIES CONNECTORS

1.25mm (.049") Contact Spacing, PCB-to-Cable (Crimp Type) Connectors



IL-Z Series connectors are designed for board-to-cable applications. High-density 1.25mm (.049") contact spacing (single row), 5.2mm (.205") high when mated vertically. Low-profile design includes board-mounted pin headers (straight and right-angle) and wire-terminated socket housings (with crimp socket contacts).

The IL-Z Series has a wide variety of applications, including commercial and household appliances, VTR's, television, office automation equipment and measuring instruments.

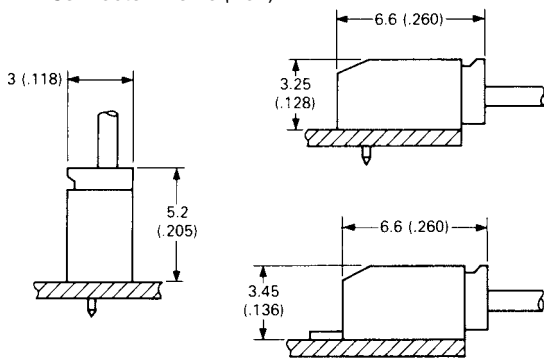
FEATURES

- Crimp type for efficient wire termination
- High reliability socket contacts
- High-density packaging and automatic mounting
- SMT and through hole pin headers available
- Boxed pin header design prevents mismatching
- Anti-wicking feature

GENERAL SPECIFICATIONS

Number of Contacts	2 to 15
Contact Spacing	1.25mm (.049"), single row
Current Rating	AC/DC 1 Amp per contact
Dielectric Withstanding Voltage	500 VAC r.m.s. (for one minute)
Insulation Resistance	100 megohms min.
Contact Resistance	20 milliohms max.
Operating Temperature	-40°C to +70°C
Applicable PCB Thickness	0.6 to 1.2mm (.024 to .047")
Applicable Wire	#32 to #28 AWG (stranded)
Voltage Rating	AC/DC 200V

Connector Profile (Ref.)



MATERIALS AND FINISHES*

Description	Materials/Finishes
Insulator	Through hole pin header and socket housing: 6-6 Nylon (UL94V-0, Light Brown) SMT pin header: PPS (UL94V-0, Light Gray)
Pin Contact	Brass/Tin plating
Socket Contact	Phosphor Bronze/Tin plating
Hold-down	Phosphor Bronze/Tin-Lead plating (SMT only)

* Please consult JAE for verification of product availability.

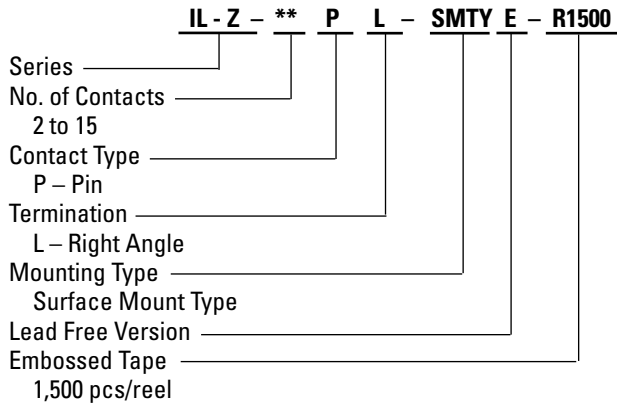
Dimensions in mm (inches).

IL-Z SERIES CONNECTORS

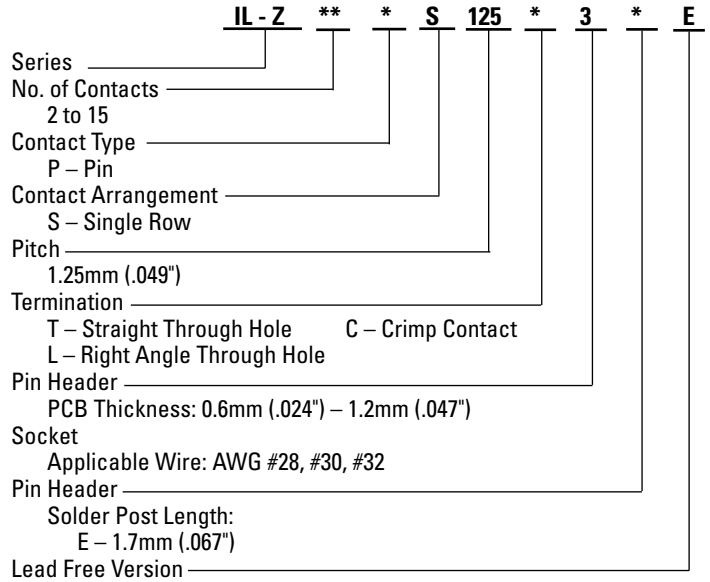
1.25mm (.049") Contact Spacing, PCB-to-Cable (Crimp Type) Connectors

ORDERING INFORMATION

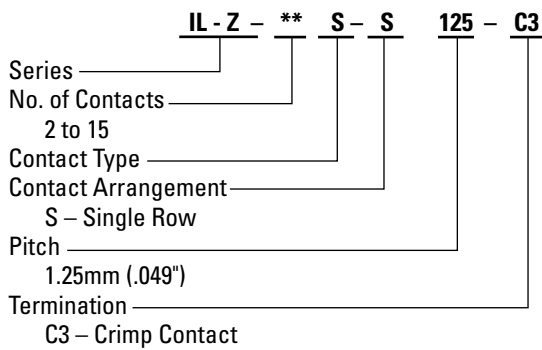
• Pin Header (SMT Type)



• Pin Header (Through Hole Type)



• Socket Housing



• Applicable Wire

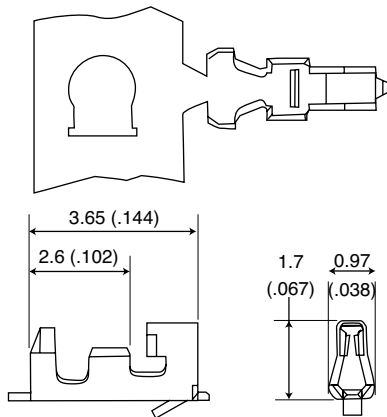
Wire Size (AWG)	Insulation Outer Diameter
#32 - #30	0.5mm to 0.8mm (.020" to .031")
#28	0.7mm to 1.0mm (.028" to .039")

Tooling

Description	Part Number	
Semi-Automatic Crimping Machine	Applicator	350-IL-Z-2
	Press	CP215-4B
Hand Crimping Tool	CT150-C-ILZ	
Contact Insertion Tool	IT2051-ILZ	
Contact Extraction Tool	ET-ILZ	

Socket Contact (Crimp Type)

Part Number: IL-Z-C3-A-15000



(Note: Contacts 15,000 pcs per reel)

• Please consult JAE for verification of product availability.

Dimensions and specifications subject to change without notice.