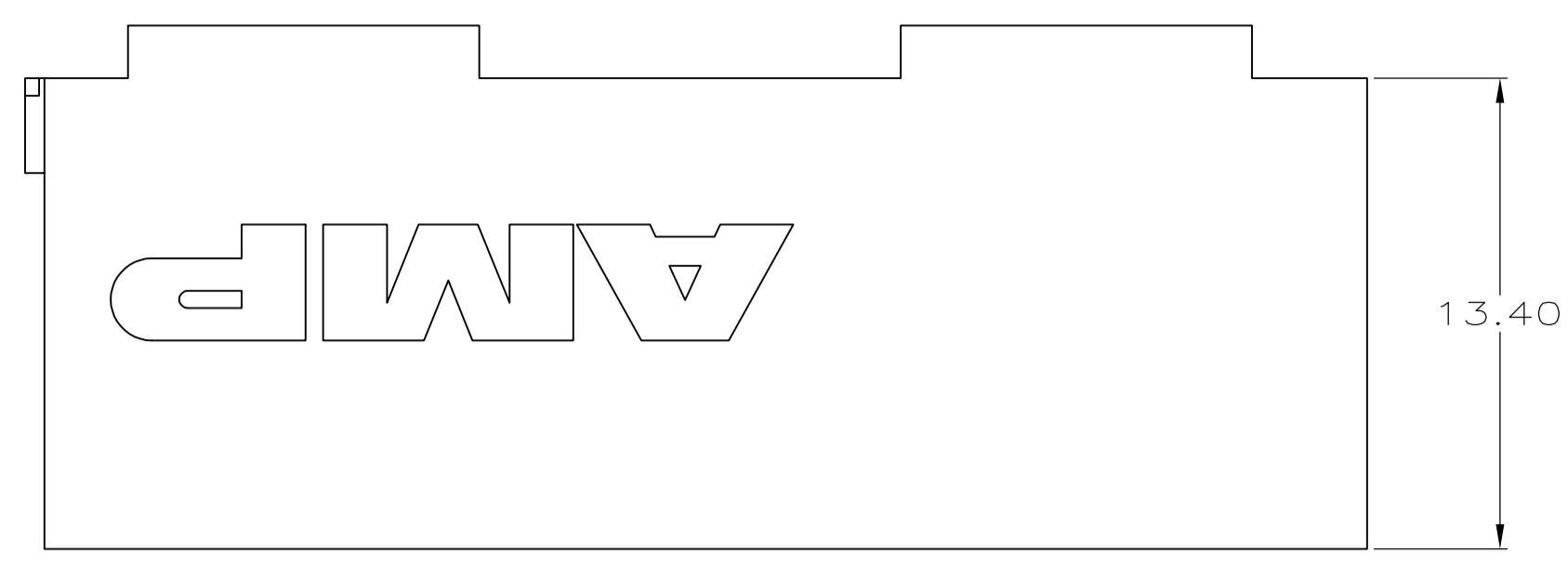
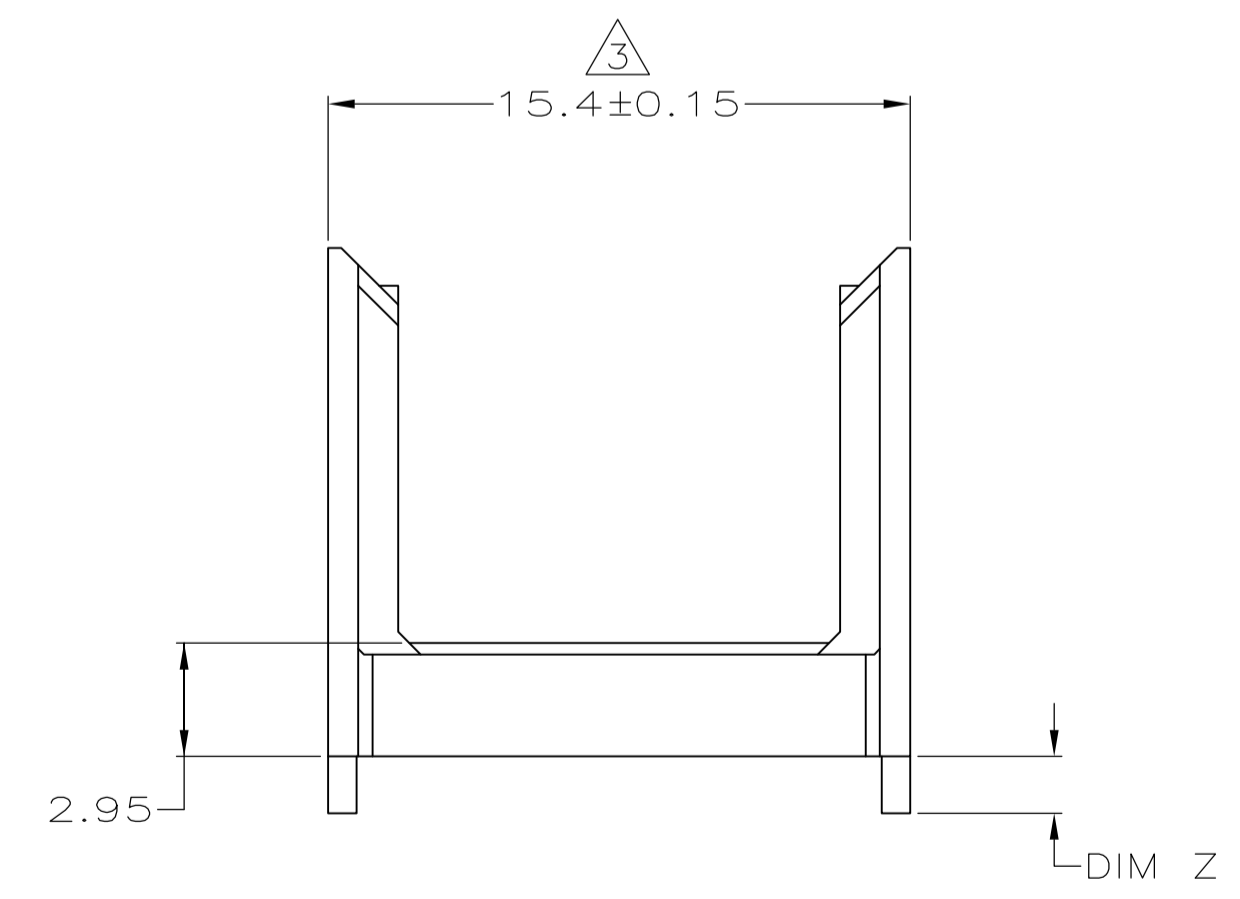
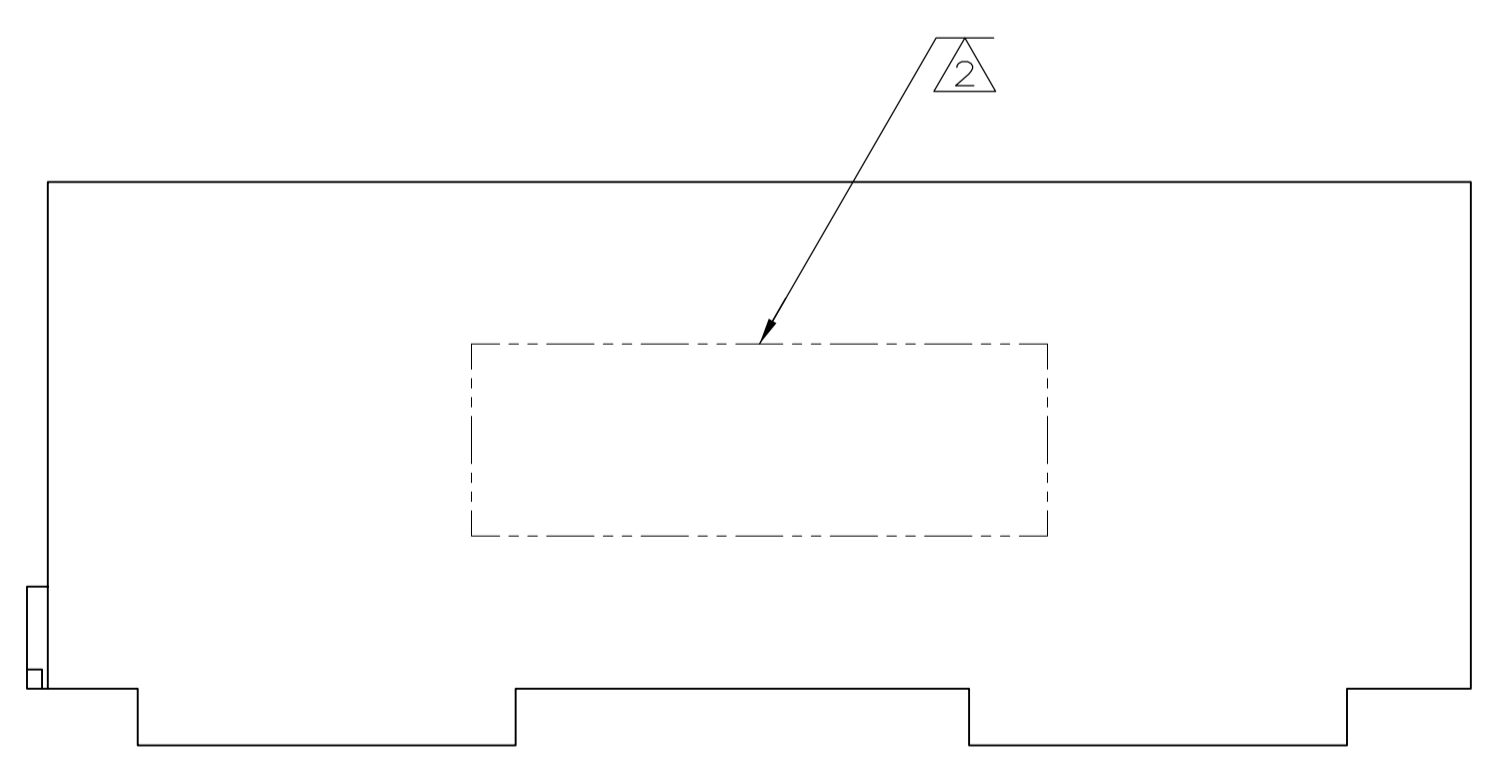
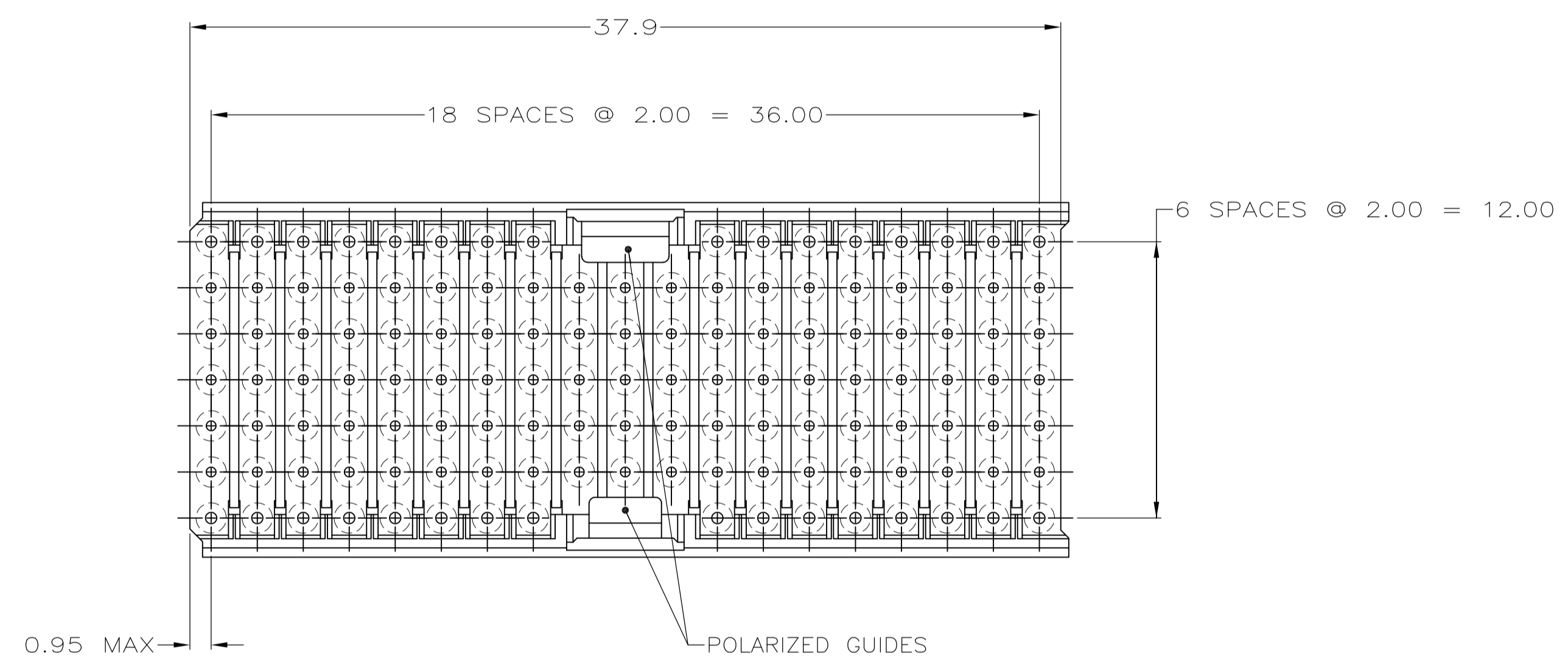


LOC		DIST		REVISIONS			
ES	00	SP	LTR	DESCRIPTION	DATE	DWN	APVD
		D		REVISED PER ECR-10-008928	26APR2010	SA.Y	SY
		E		ECR-10-019054	15SEP10	DP	MQW



- ⚠ MATERIAL: GLASS FILLED POLYESTER.
- ⚠ PART NUMBER MARKED IN APPROXIMATE AREA SHOWN.
- ⚠ TO BE MEASURED AT BASE OF SHROUD.
- ⚠ OBSOLETE PARTS: OBSOLETE CIS STREAMLINING PER D.RENAUD/D.SINISI



⚠ OBSOLETE	1.90	646483-7
⚠ OBSOLETE	1.70	646483-6
⚠ OBSOLETE	1.50	646483-5
⚠ OBSOLETE	1.30	646483-4
⚠ OBSOLETE	1.10	646483-3
	0.90	646483-2
		646483-1
	DIM Z	PART NUMBER

THIS DRAWING IS A CONTROLLED DOCUMENT

DWN: T. SHUEY 6-9-98  
 CHK: G. SKIPPER 11-23-98  
 APVD: G. SKIPPER 11-23-98

Tyco Electronics Corporation  
 Harrisburg, PA 17105-3608

NAME: SHROUD, A-B, Z-PACK 2mm HM, 5 ROW,  
 127 POSITION, WITH GUIDE

PRODUCT SPEC: -  
 APPLICATION SPEC: -  
 WEIGHT: -

SIZE: A100779  
 CAGE CODE: -  
 DRAWING NO: 646483

RESTRICTED TO: -

CUSTOMER DRAWING SCALE: 5:1 SHEET: 1 OF 1 REV: E