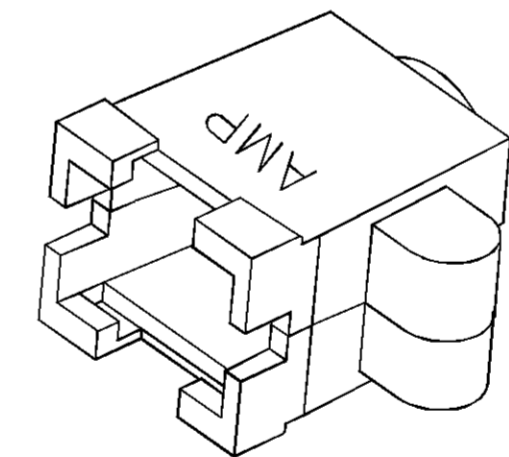
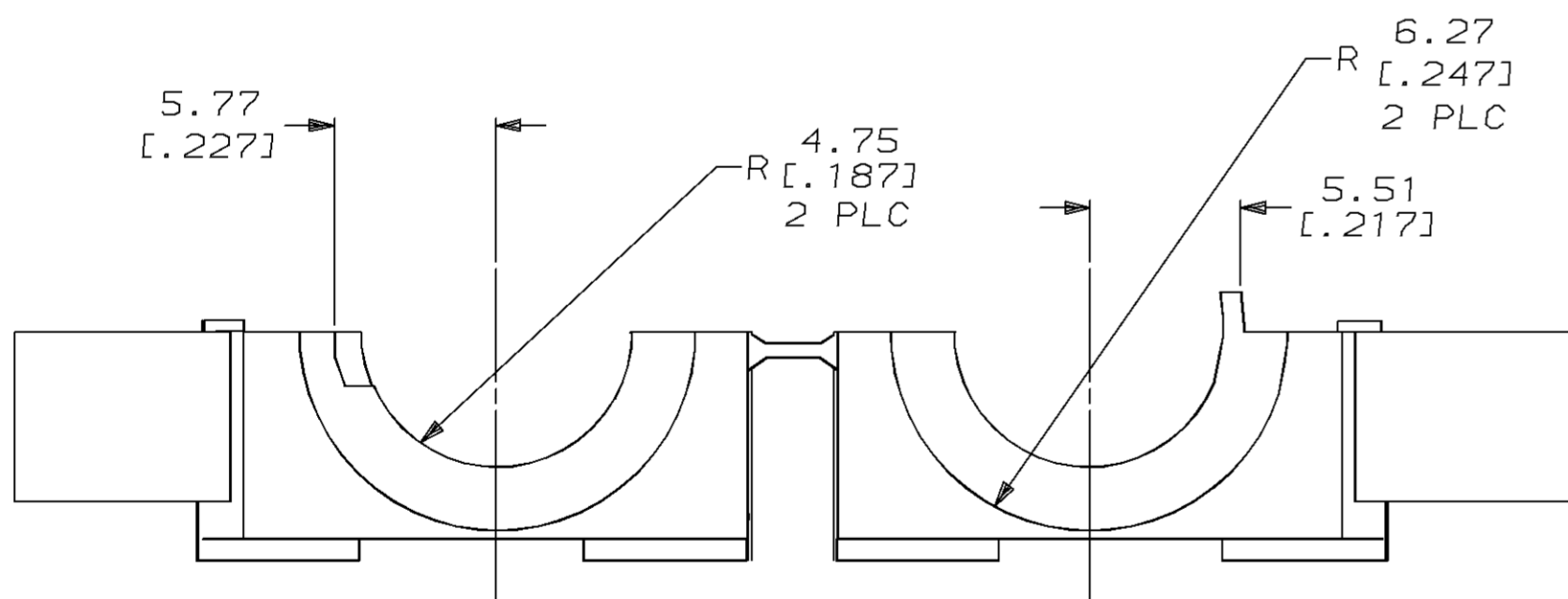
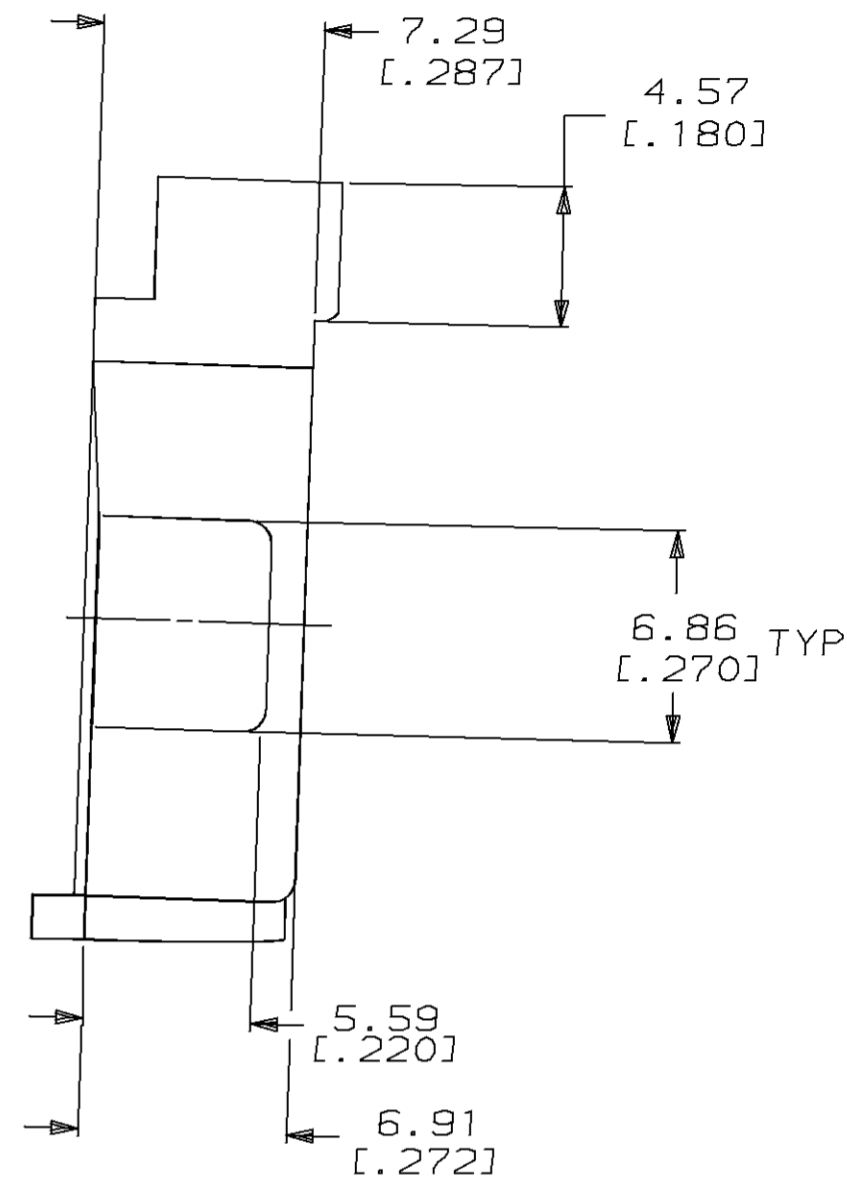
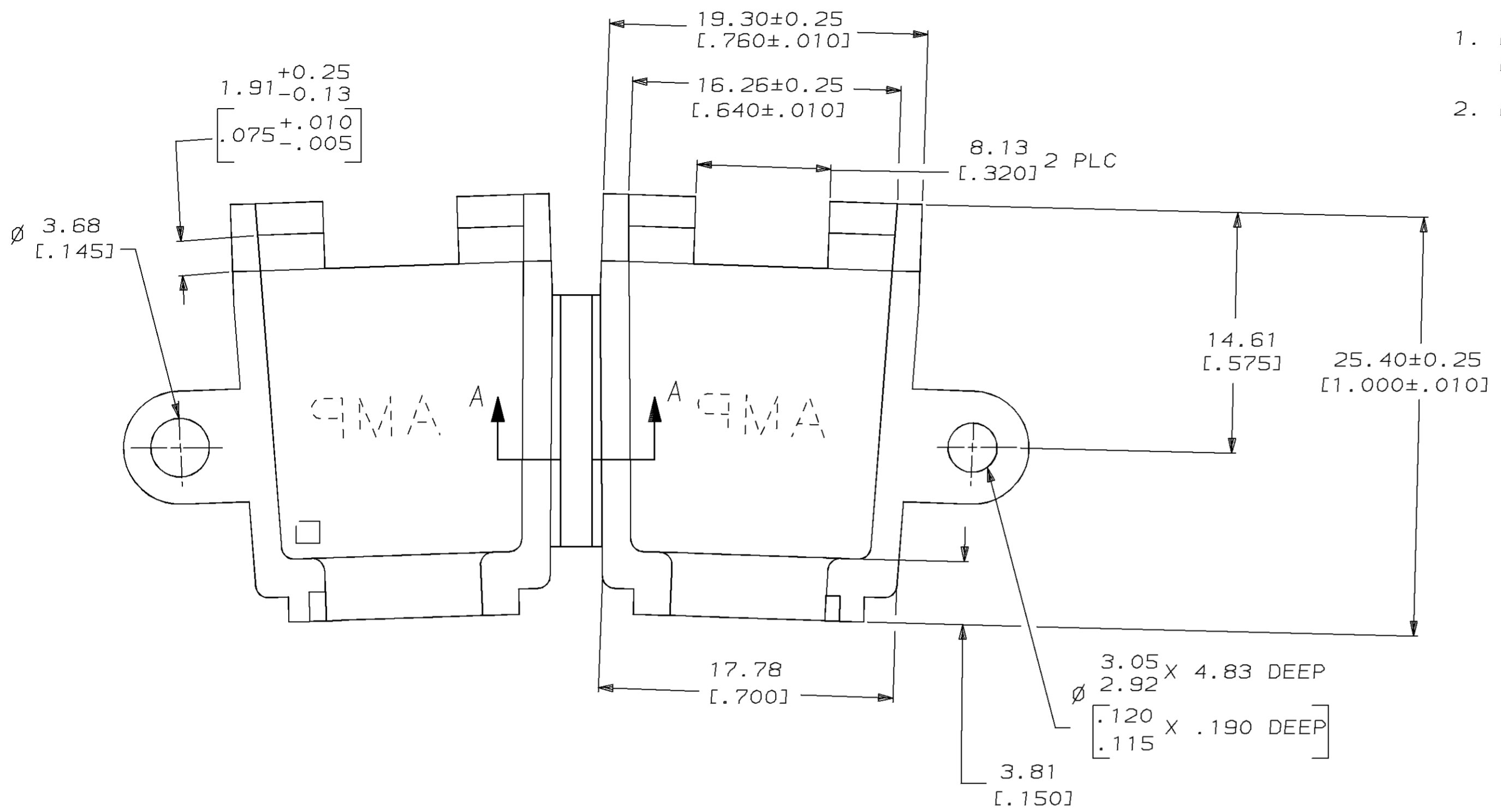
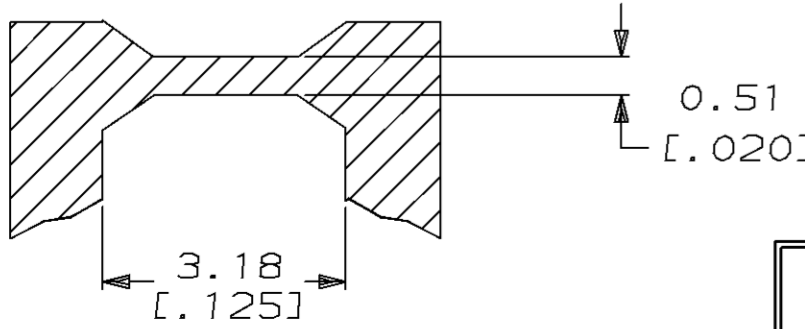


LOC	DIST	P	F	ZONE	LTR	REVISIONS	DATE	APPD	
CM	52					K	REV & REDWN PER EC 0730-0072-94	5-3-93	KS

- REQUIRES A #6 PAN HEAD TYPE "B" SELF TAPPING PAN HEAD SCREW, 9.53 [.375] LONG.
- DIMENSIONS IN BRACKETS ARE IN INCHES.



3-DIMENSIONAL MODEL NTS



SECTION A-A
SCALE 10:1

METRIC

THIS DRAWING IS A CONTROLLED DOCUMENT FOR AMP INCORPORATED. IT IS SUBJECT TO CHANGE AND THE CONTROLLING ENGINEERING ORGANIZATION SHOULD BE CONTACTED FOR THE LATEST REVISION.

COLOR	PART NO
BLACK	1-350373-9
BRICK RED	350373-1

DO NOT SCALE PRINT. UNLESS SPECIFIED DIMENSIONS IN mm [INCHES] TOLERANCES ON : 2 PLC DEC ± 0.13 [.005] 3 PLC DEC ± - ANGLES ± -		DR 5-3-93 K. SALMON		AMP Incorporated Harrisburg, PA 17105-3608	
MATERIAL NYLON		CHK 5-3-93 R. SWING			
FINISH COLOR, SEE TABLE		APPD - W. LONG		NAME STRAIN RELIEF, HINGED, 6 POSITION	
WEIGHT -		APPD - W. LONG		SIZE C	CAGE CODE 00779
		PRODUCT SPEC -		DRAWING NO G=350373	
		APPLICATION SPEC -		SCALE 4:1	SHEET 1 OF 1