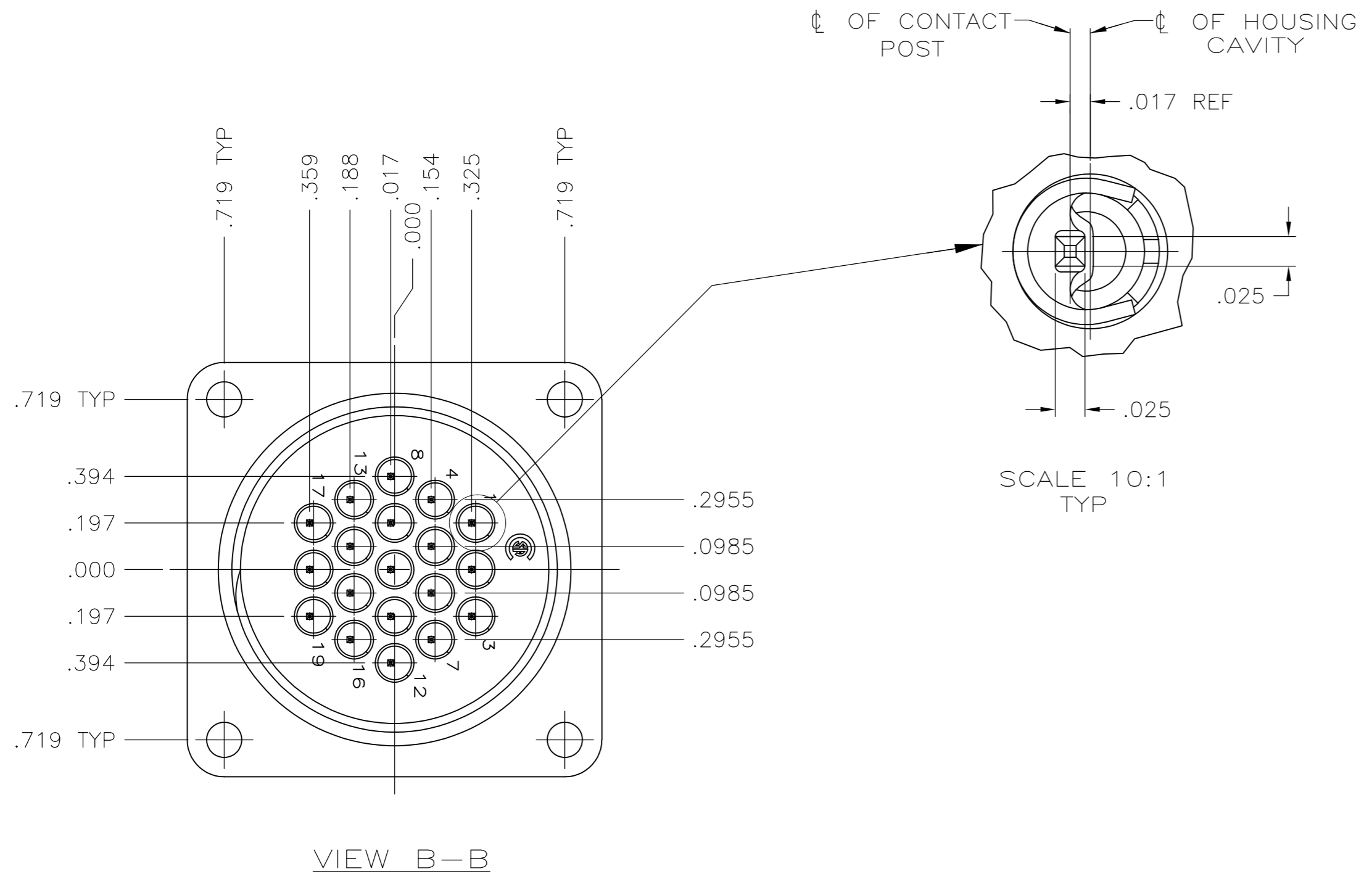
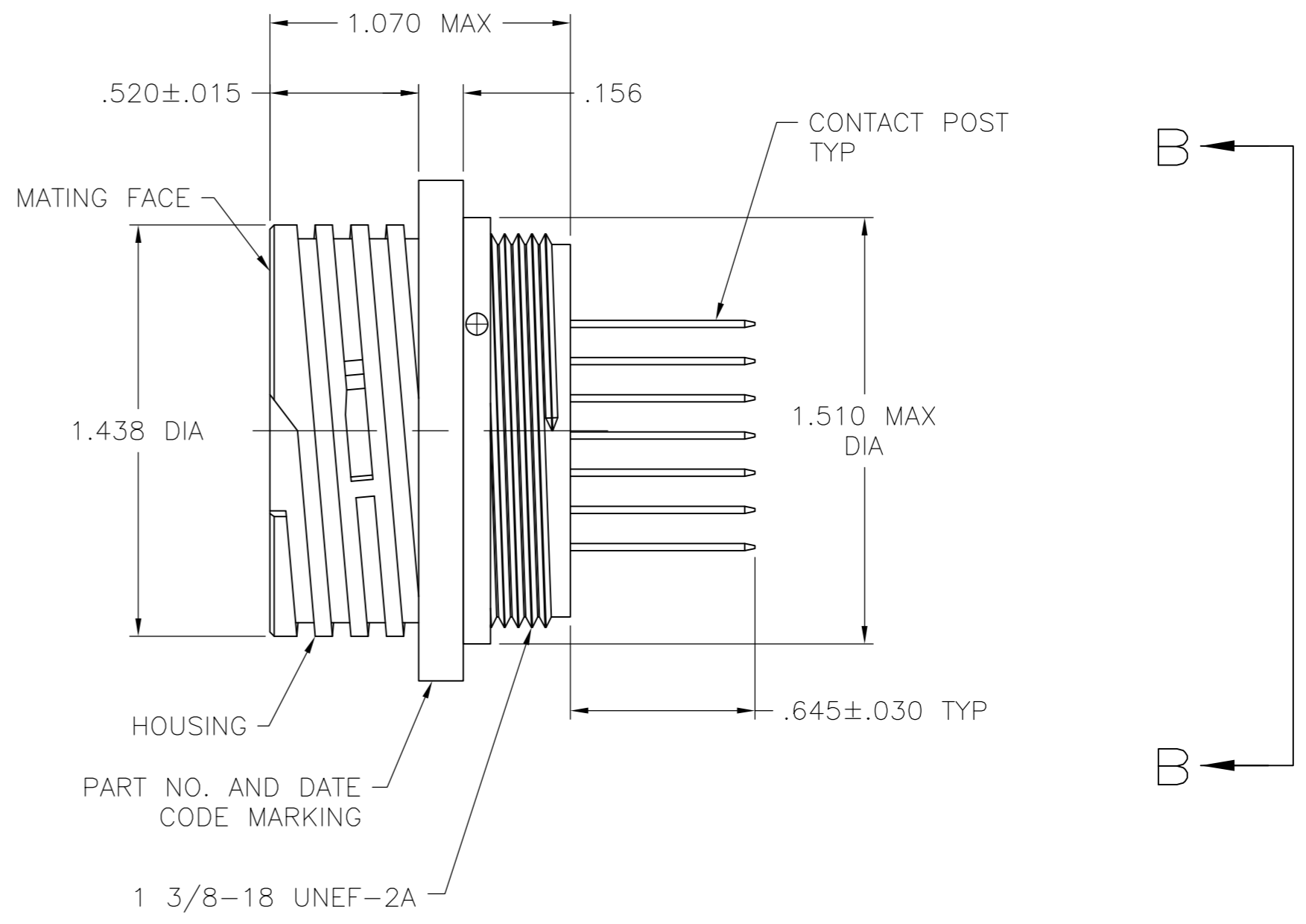
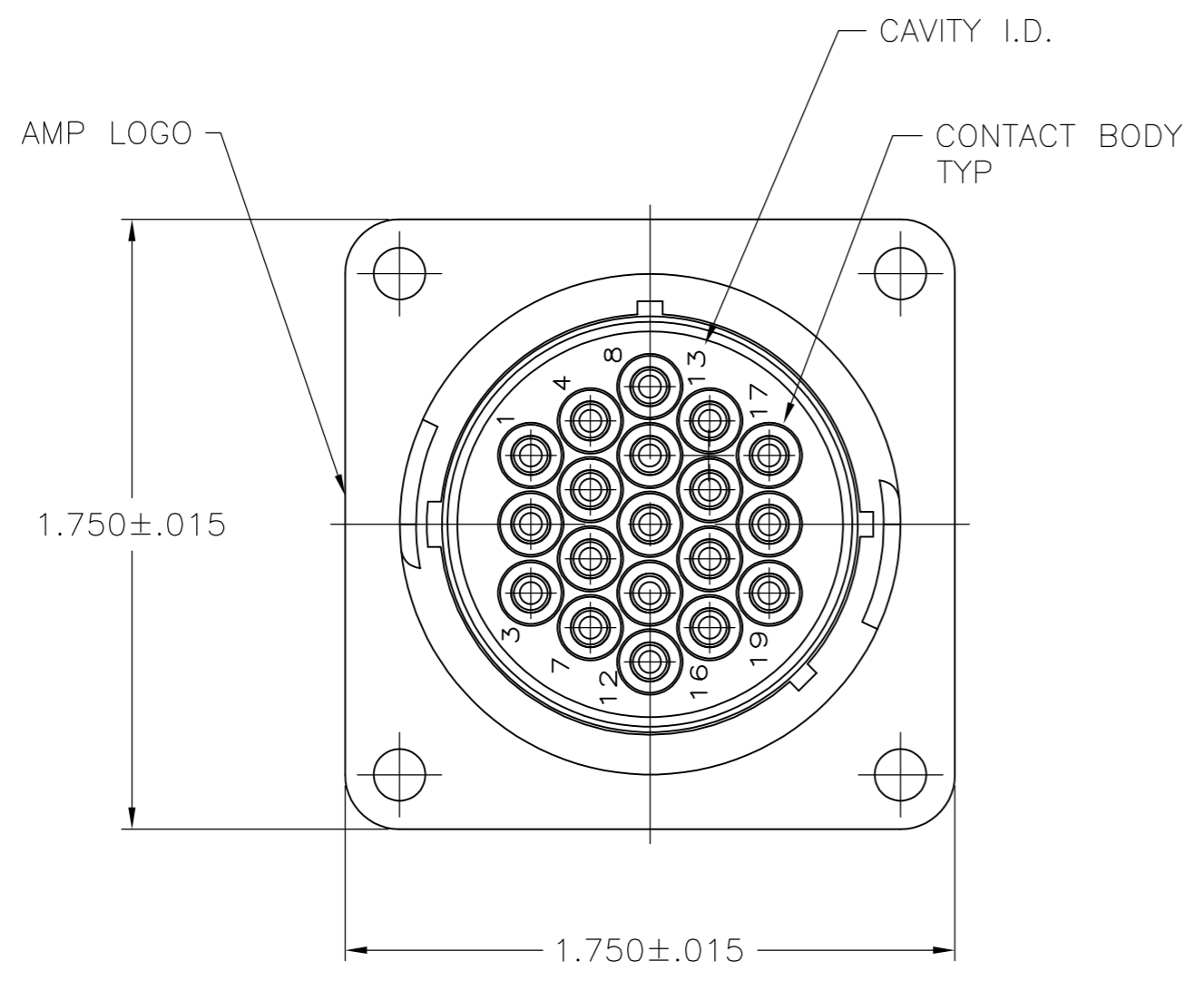


THIS DRAWING IS UNPUBLISHED. RELEASED FOR PUBLICATION  
 © COPYRIGHT BY TYCO ELECTRONICS CORPORATION. ALL RIGHTS RESERVED.

LOC		DIST		REVISIONS			
P	LTR	DESCRIPTION	DATE	DWN	APVD		
		D	REVISED PER ECO-08-008572	10APR08	HMR	SH	



- 1 NYLON, UL 94V-0 RATED, BLACK.
- 2 STAINLESS STEEL.
- 3 BRASS.
- 4 CONTACT BODY: .000030 MIN GOLD FOR A LENGTH OF .200 MIN FROM MATING END. GOLD FLASH ON REMAINDER, BOTH OVER .000030 MIN NICKEL. CONTACT POST: .000100 MIN TIN-LEAD OVER .000050 MIN NICKEL.
- 5 RECOMMENDED PC BOARD HOLE SIZE FOR CONTACT POST = .035±.003 DIA.

NO	213858-3
YES	213858-2
NO	213858-1
PERIPHERAL SEAL	PART NUMBER

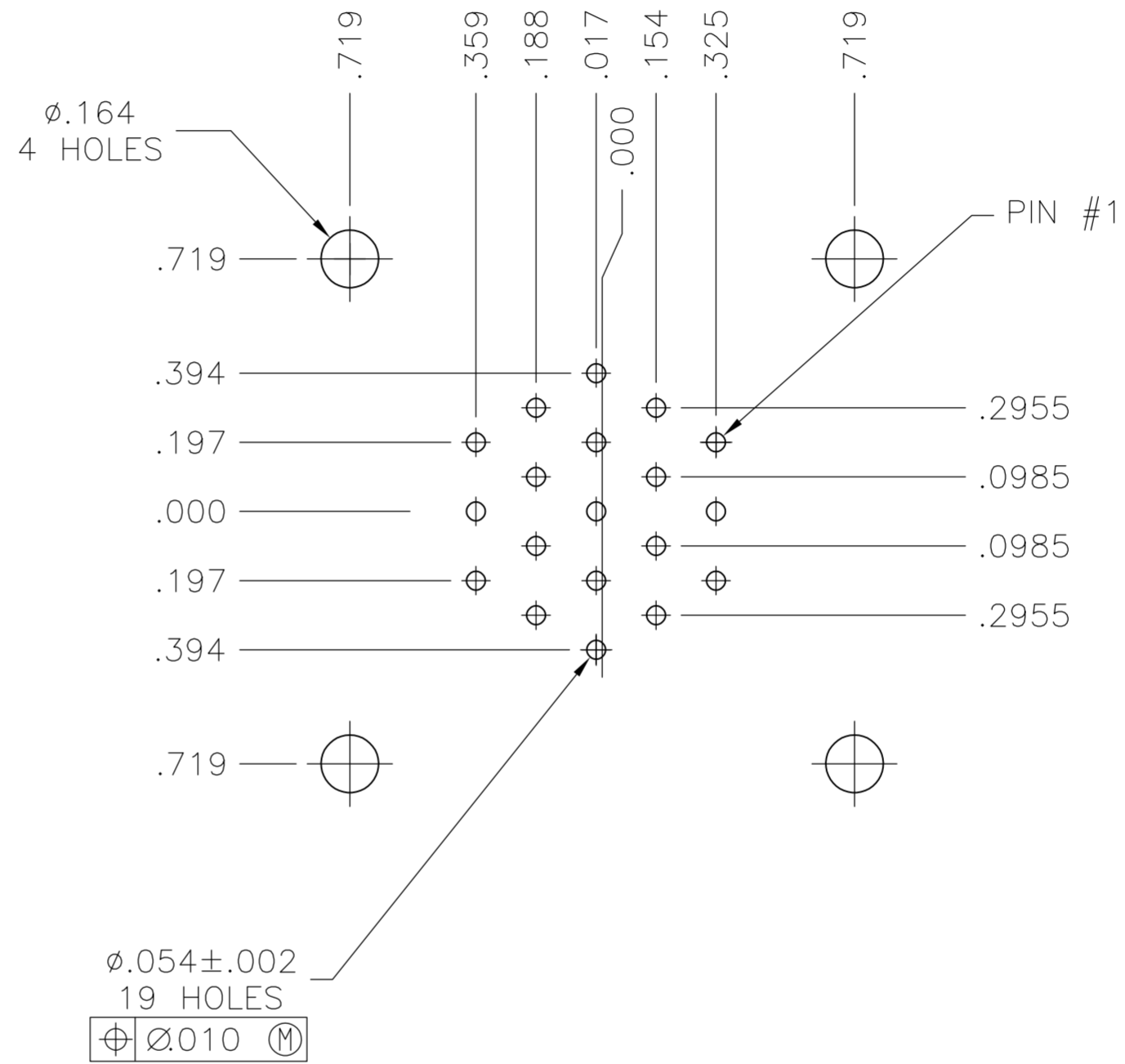
THIS DRAWING IS A CONTROLLED DOCUMENT.		DWN	D.HARDY	01-06-95	Tyco Electronics Corporation Harrisburg, PA 17105
DIMENSIONS: INCHES		CHK	R.STONE	01-09-95	
TOLERANCES UNLESS OTHERWISE SPECIFIED:		APVD	-	-	NAME
0 PLC	± -	PRODUCT SPEC		108-10024	
1 PLC	± -	APPLICATION SPEC		114-10038	
2 PLC	± .01	WEIGHT	-		
3 PLC	± .005	SCALE	2:1		
4 PLC	± -	SHEET	1 of 2		
ANGLES	± -	REV	D		
MATERIAL: HOUSING: 1 CONTACT SPRING: 2 CONTACT BODY & POST: 3		FINISH: CONTACT: 4		CUSTOMER DRAWING	

213858

A

THIS DRAWING IS UNPUBLISHED. RELEASED FOR PUBLICATION  
 © COPYRIGHT BY TYCO ELECTRONICS CORPORATION. ALL RIGHTS RESERVED.

LOC	DIST	REVISIONS					
FT	4	P	LTR	DESCRIPTION	DATE	DWN	APVD
		-		SEE SHEET 1	-	-	-



RECOMMENDED P.C. BOARD LAYOUT

THIS DRAWING IS A CONTROLLED DOCUMENT.		DWN D.HARDY 01-06-95	Tyco Electronics Corporation Harrisburg, PA 17105																			
DIMENSIONS: INCHES		CHK R.STONE 01-09-95	NAME RECEPTACLE ASSEMBLY, POSTED, REVERSE SEX, 23-19, CPC																			
TOLERANCES UNLESS OTHERWISE SPECIFIED: <table border="1"> <tr><td>0 PLC</td><td>±</td><td>-</td></tr> <tr><td>1 PLC</td><td>±</td><td>-</td></tr> <tr><td>2 PLC</td><td>±</td><td>.01</td></tr> <tr><td>3 PLC</td><td>±</td><td>.005</td></tr> <tr><td>4 PLC</td><td>±</td><td>-</td></tr> <tr><td>ANGLES</td><td>±</td><td>-</td></tr> </table>		0 PLC	±	-	1 PLC	±	-	2 PLC	±	.01	3 PLC	±	.005	4 PLC	±	-	ANGLES	±	-	APVD -	PRODUCT SPEC 108-10024	SIZE A2
0 PLC	±	-																				
1 PLC	±	-																				
2 PLC	±	.01																				
3 PLC	±	.005																				
4 PLC	±	-																				
ANGLES	±	-																				
MATERIAL: HOUSING: $\Delta$ CONTACT SPRING: $\Delta$ CONTACT BODY & POST: $\Delta$		APPLICATION SPEC 114-10038	WEIGHT -	CAGE CODE 00779																		
FINISH CONTACT: $\Delta$		DRAWING NO C=213858		RESTRICTED TO -																		
CUSTOMER DRAWING			SCALE 2:1	SHEET 2 of 2																		