

MN102L35G

Type		MN102L35G	
ROM (×16-Bit)		144 K	
RAM (×16-Bit)		5 K	
Minimum Instruction Execution Time		167 ns (at 4.75 V to 5.25 V, 12 MHz)	
Interrupts		External (4 lines) Internal (23 lines) · Timer × 8, A/D × 1, Undefined command × 1, RESET × 1, OSD × 2, Serial × 2, I ² C × 1, Caption × 2, Remote Control × 1, Address coincidence × 4	
Timer Counter		8-Bit timer × 2 16-Bit timer × 2 Watchdog timer: 17-Bit × 1	
Serial Interface		I ² C × 1 For multimaster mode, Bus line (output) has 2 systems Sync serial / I ² C (master) / UART × 1	
Caption		• Built-in sync separator × 2	
I/O Pins	I/O	49	• Common use 49
	Input	1	• Common use 1
A/D Inputs		8-Bit × 8ch (with S/H)	
D/A Inputs		4-Bit × 4ch (Analog R, G, B, YM Output)	
PWM		8-Bit × 6ch	
Special Ports		Remote Control Reception	
CRTC		3-Layer display (graphics, characters, splits)	
Notes		Remote control input discriminant circuit built-in	
Package		SDIP064-P-0750	

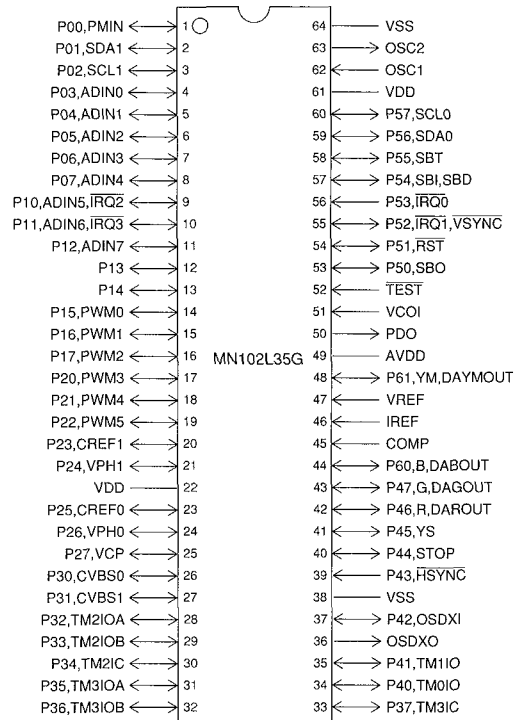
Electrical Characteristics

D/A Characteristics

Parameter	Symbol	Condition	Limit			Unit
			min	typ	max	
D/A Full-Scale Output Current	IFS	RL = 200 Ω VREF = 1.2 V RIREF = 1.2 kΩ	4.5	5.0	5.5	mA
D/A Output Voltage Setting Range	VO	RL = 200 Ω VREF = 1.2 V RIREF = 1.2 kΩ	0		1.1	V
D/A Non-Linear Error	NLE	RL = 200 Ω VREF = 1.2 V RIREF = 1.2 kΩ			±0.5	LSB
D/A Differential Non-Linear Error	DNLE	RL = 200 Ω VREF = 1.2 V RIREF = 1.2 kΩ			±0.5	LSB
D/A Channel Interval Error	IFS	VREF = 1.2 V RIREF = 1.2 kΩ Error from 4-Channel average IFS			±5	%

(Ta = 25 °C, VDD = AVDD = 5.0 V, VSS = 0 V, fosc = 4 MHz)

Pin Assignment



SDIP064-P-0750

Support Tool

In-Circuit Emulator	PX-ICE102L00 + PX-PRB102L35	
EPROM built-in Type	Type	MN102LP35G
	ROM (× 16-Bit)	144 K
	RAM (× 16-Bit)	5 K
	Minimum Instruction Execution Time	167 μs (at 4.75 V to 5.25 V, 12 MHz)
	Package	SDIP064-P-0750