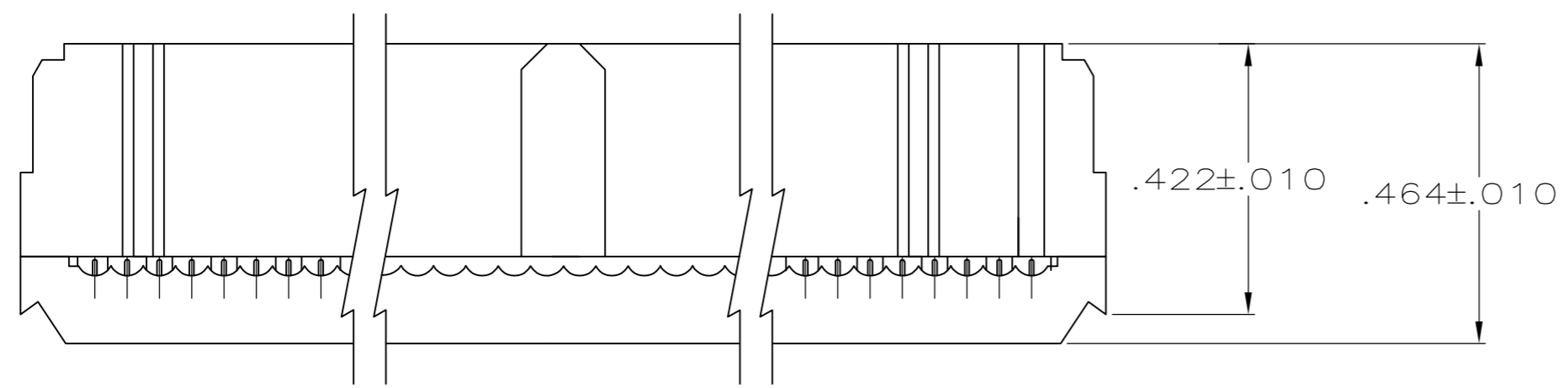


THIS DRAWING IS UNPUBLISHED. RELEASED FOR PUBLICATION  
 © COPYRIGHT - By - ALL RIGHTS RESERVED.

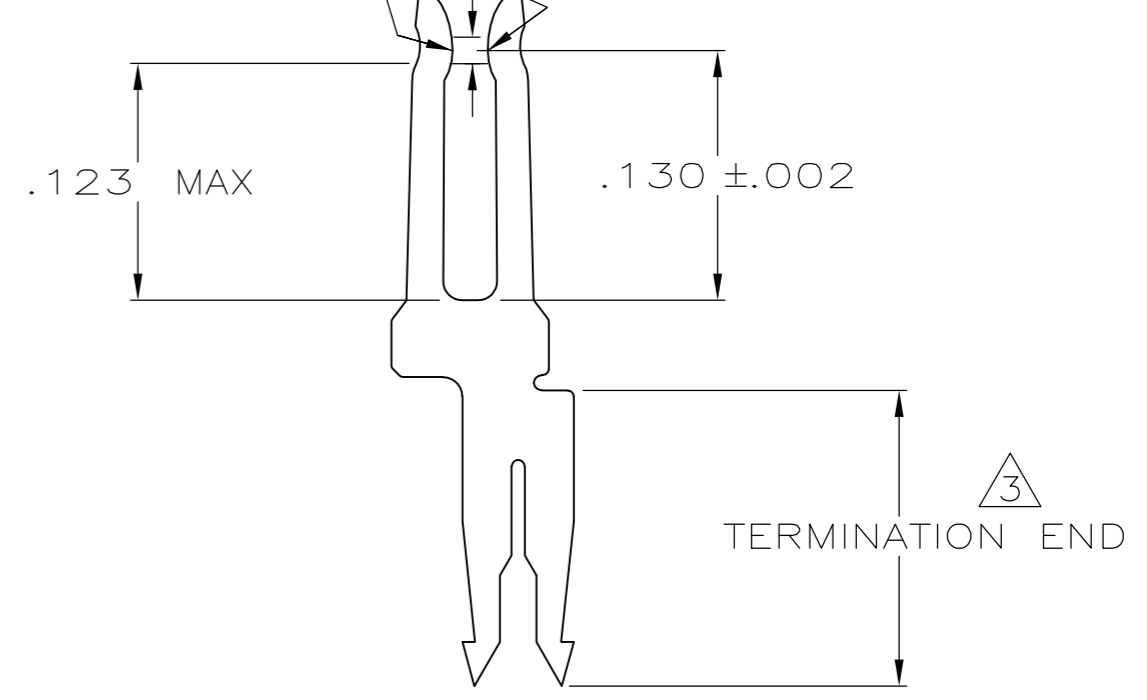
| LOC |     | DIST        |                           | REVISIONS |           |      |     |
|-----|-----|-------------|---------------------------|-----------|-----------|------|-----|
| P   | LTR | DESCRIPTION |                           | DATE      | DWN       | APVD |     |
| GP  | 00  | B2          | REVISED PER ECR-15-012046 |           | 15JUN2015 | I.T  | W.H |

- 1 MOLDED PARTS: UL RATED 94V-0 THERMOPLASTIC, BLACK.
- 2 CONTACTS: PHOSPHOR BRONZE PER QQ-B-750.
- 3 CONTACTS: PLATED WITH .000030 MIN GOLD IN LOCALIZED GOLD PLATE AREA, .000050 MIN TIN ON TERMINATION END, ALL OVER .000050 MIN NICKEL ON ENTIRE CONTACT.  
OR  
GOLD FLASH OVER PALLADIUM-NICKEL PLATE .000030 MIN TOTAL IN LOCALIZED GOLD PLATE AREA, .000050 MIN TIN ON TERMINATION END, ALL OVER .000050 MIN NICKEL ON ENTIRE CONTACT.
- 4 POLARIZING FEATURE DOES NOT EXIST ON SAME END AS THE POSN #1 INDICATOR ON 10 AND 14 POSN PRODUCT.

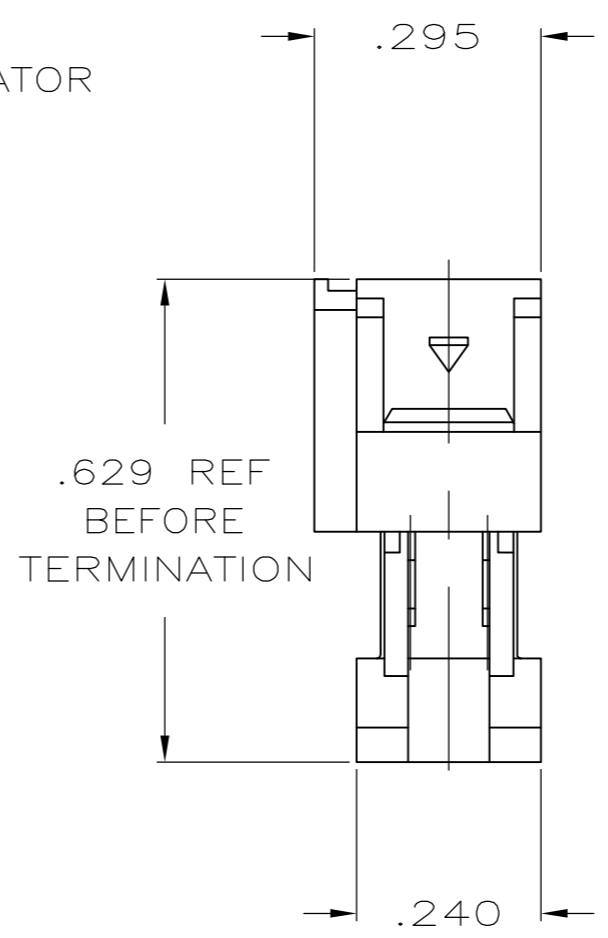
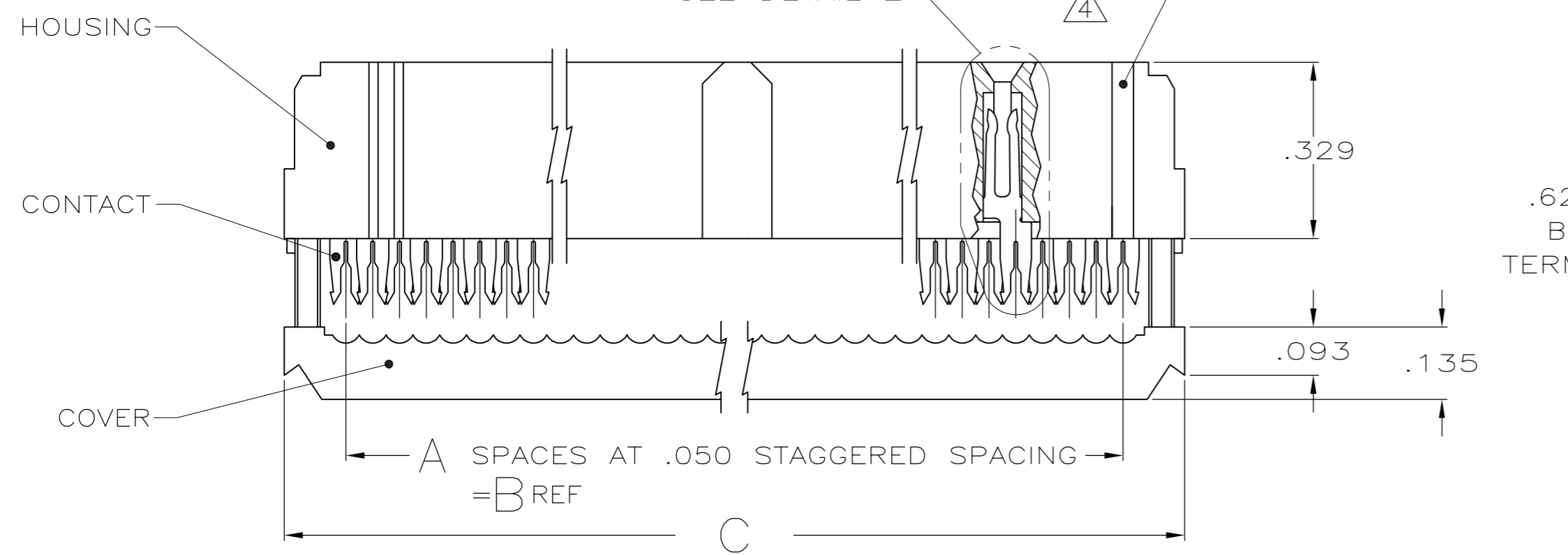
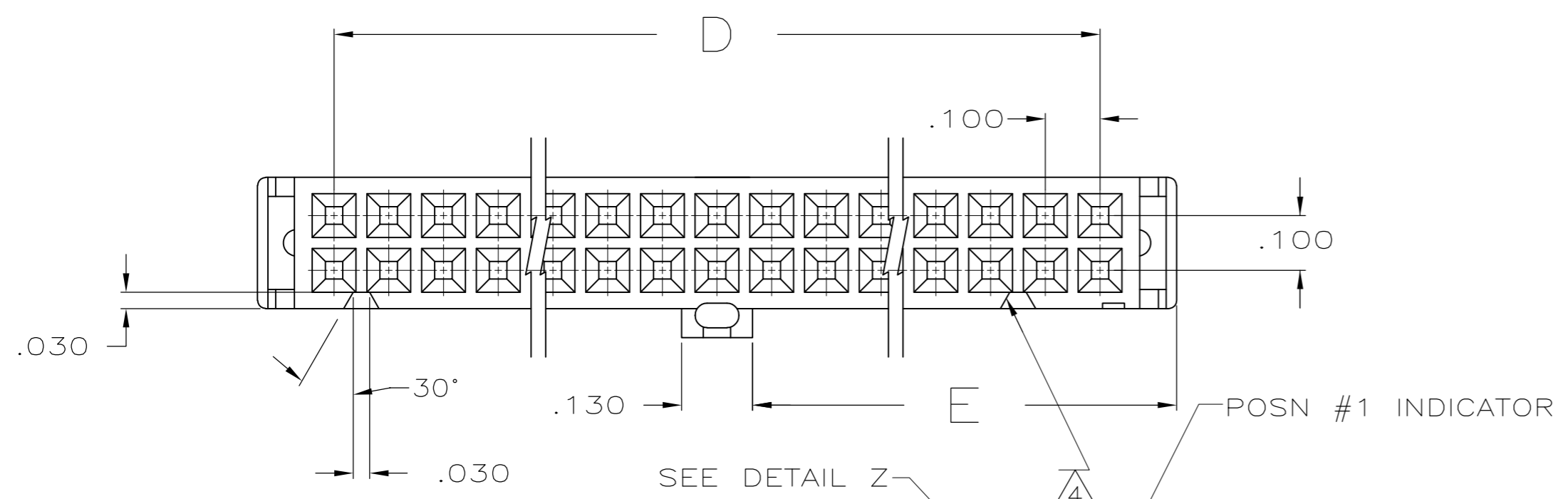


TERMINATED VIEW

LOCALIZED GOLD PLATING ON THIS SURFACE  
 .014 MIN LOCALIZED GOLD PLATE AREA 3



DETAIL Z  
SCALE 10:1  
TYPICAL



|       |       |       |       |    |            |             |
|-------|-------|-------|-------|----|------------|-------------|
| 1.125 | 2.100 | 2.380 | 2.150 | 43 | 44         | 1-1658622-3 |
| 1.625 | 3.100 | 3.380 | 3.150 | 63 | 64         | 1-1658622-2 |
| 1.525 | 2.900 | 3.180 | 2.950 | 59 | 60         | 1-1658622-1 |
| 1.275 | 2.400 | 2.680 | 2.450 | 49 | 50         | 1-1658622-0 |
| 1.025 | 1.900 | 2.180 | 1.950 | 39 | 40         | 1658622-9   |
| .875  | 1.600 | 1.880 | 1.650 | 33 | 34         | 1658622-8   |
| .775  | 1.400 | 1.680 | 1.450 | 29 | 30         | 1658622-7   |
| .675  | 1.200 | 1.480 | 1.250 | 25 | 26         | 1658622-6   |
| .625  | 1.100 | 1.380 | 1.150 | 23 | 24         | 1658622-5   |
| .525  | .900  | 1.180 | .950  | 19 | 20         | 1658622-4   |
| .425  | .700  | .980  | .750  | 15 | 16         | 1658622-3   |
| .375  | .600  | .880  | .650  | 13 | 14         | 1658622-2   |
| .275  | .400  | .680  | .450  | 9  | 10         | 1658622-1   |
| E     | D     | C     | B     | A  | NO OF POSN | PART NUMBER |

THIS DRAWING IS A CONTROLLED DOCUMENT.

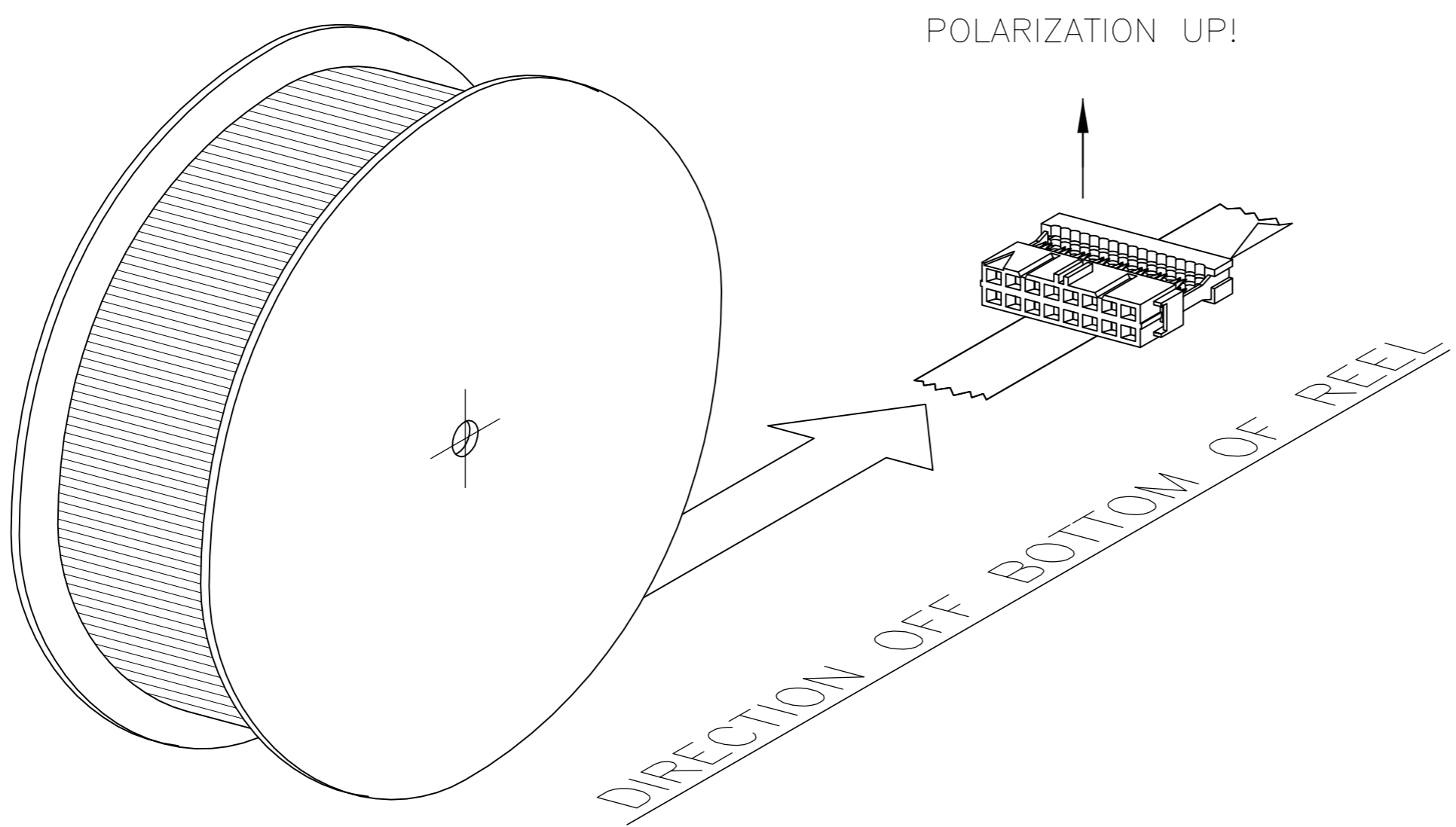
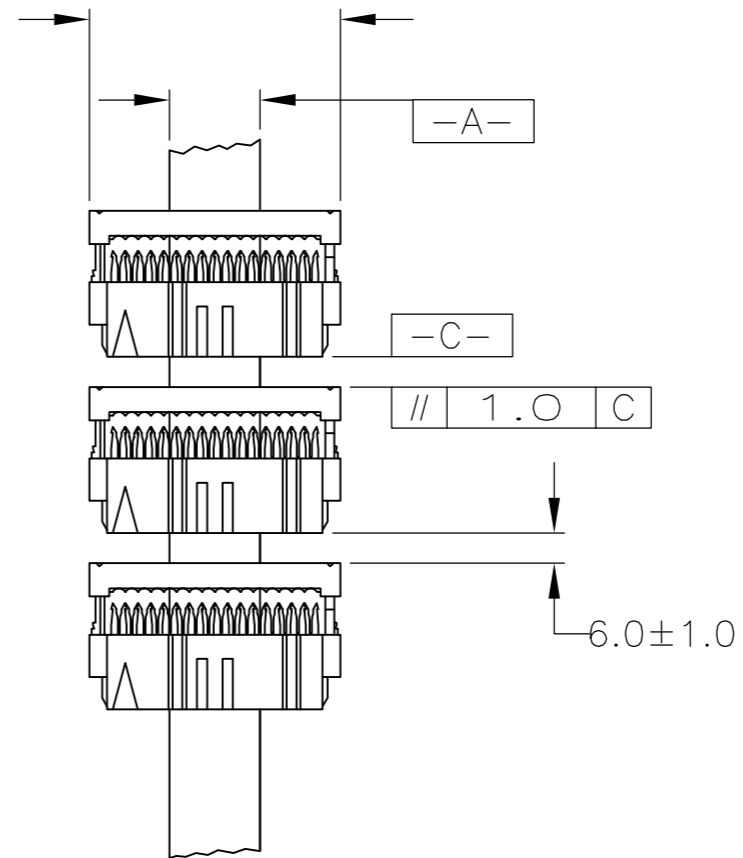
|                            |  |
|----------------------------|--|
| DWN R. SAMICK 22AUG03      | TE Connectivity<br>RECEPTACLE ASSY,<br>CENTER & MILITARY POLARIZATION<br>LEAD FREE AMP-LATCH™ NOVO |
| CHK C. RHODE 22AUG03       |  |
| APVD M. WALMSLEY 22AUG03   |  |
| PRODUCT SPEC 108-40000     |  |
| APPLICATION SPEC 114-40005 | SIZE A2 CAGE CODE 00779 DRAWING NO C=1658622   |
| MATERIAL SEE NOTES         | WEIGHT -   |
| FINISH SEE NOTES           | CUSTOMER DRAWING   |

RESTRICTED TO -

SCALE 4:1 SHEET 1 OF 2 REV B2

THIS DRAWING IS UNPUBLISHED. RELEASED FOR PUBLICATION  
 © COPYRIGHT - By - ALL RIGHTS RESERVED.

| LOC | DIST | REVISIONS   |      |     |      |
|-----|------|-------------|------|-----|------|
| P   | LTR  | DESCRIPTION | DATE | DWN | APVD |
| GP  | 00   | SEE SHEET 1 | -    | -   | -    |



|               |                           |
|---------------|---------------------------|
| 1-1658622-2   | 9-1658622-2               |
| SUB CONNECTOR | REEL PACKAGED PART NUMBER |

|  |   |                  |  |                     |
|--|---|------------------|--|---------------------|
| THIS DRAWING IS A CONTROLLED DOCUMENT. |   | DWN              | 22AUG03  | <br>TE Connectivity |
|  |   | CHK              | 22AUG03  |                     |
|  |   | APVD             | 22AUG03  |                     |
|  |   | NAME             | M. WALMSLEY  |                     |
| DIMENSIONS:                            | TOLERANCES UNLESS OTHERWISE SPECIFIED:  | PRODUCT SPEC     | RECEPTACLE ASSY,<br>CENTER & MILITARY POLARIZATION<br>LEAD FREE AMP-LATCH NOVO |                     |
| INCHES                                 |   | 108-40000        | SIZE   | CAGE CODE           |
|  | 0 PLC ± -<br>1 PLC ± -<br>2 PLC ± -<br>3 PLC ± .005<br>4 PLC ± -<br>ANGLES ± 5° | 114-40005        | A2   | 00779               |
| MATERIAL                               | FINISH  | WEIGHT           | DRAWING NO   |                     |
| SEE NOTES                              | SEE NOTES   | -                | C=1658622  |                     |
|  |   | CUSTOMER DRAWING | SCALE  | SHEET               |
|  |   |                  | 4:1  | 2 of 2              |
|  |   |                  |  | REV B2              |