

REV	DOCUMENT	CHANGED BY	CHECK
1	201373	TRF 22SEP00	SAV
2	203123	GJW 01JUN01	SAV

**SERIES**  
UNAMPLIFIED  
COMPENSATED AND  
CALIBRATED (mV)

**ACCURACY GRADE**  
C - COMMERCIAL (1.0%)  
H - HIGH GRADE (0.50%)

**PRESSURE RANGE**  $\Delta$   
004, 010 IN H<sub>2</sub>O D  
00.3, 01, 05, 15, 30,  
60, 100, 150, 240 PSID

**PACKAGE TYPE**  
N - PLASTIC

**PRESSURE REFERENCE**  
D - DIFFERENTIAL

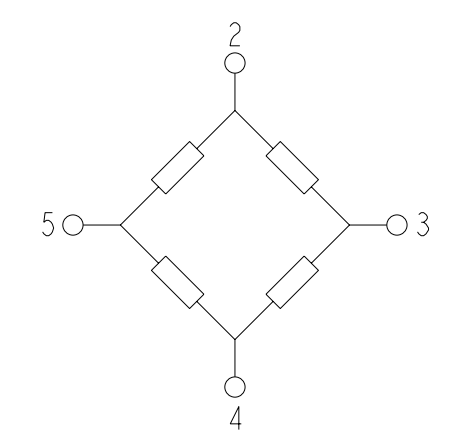
**NOTES**

$\Delta$  ALL PARAMETERS ARE MEASURED AT 12 VDC EXCITATION. APPLY POSITIVE PRESSURE TO PORT 2 FOR POSITIVE GOING OUTPUT SHIFT IS RELATIVE TO 25°C

$\Delta$  LINEARITY IS DETERMINED USING BEST STRAIGHT LINE FIT THROUGH ZERO, 1/2 FULL SCALE, AND FULL SCALE; HYSTERESIS IS MECHANICAL ONLY

4 - SPAN IS THE ALGEBRAIC DIFFERENCE BETWEEN OFFSET VOLTAGE AND THE VOLTAGE AT FULL SCALE PRESSURE

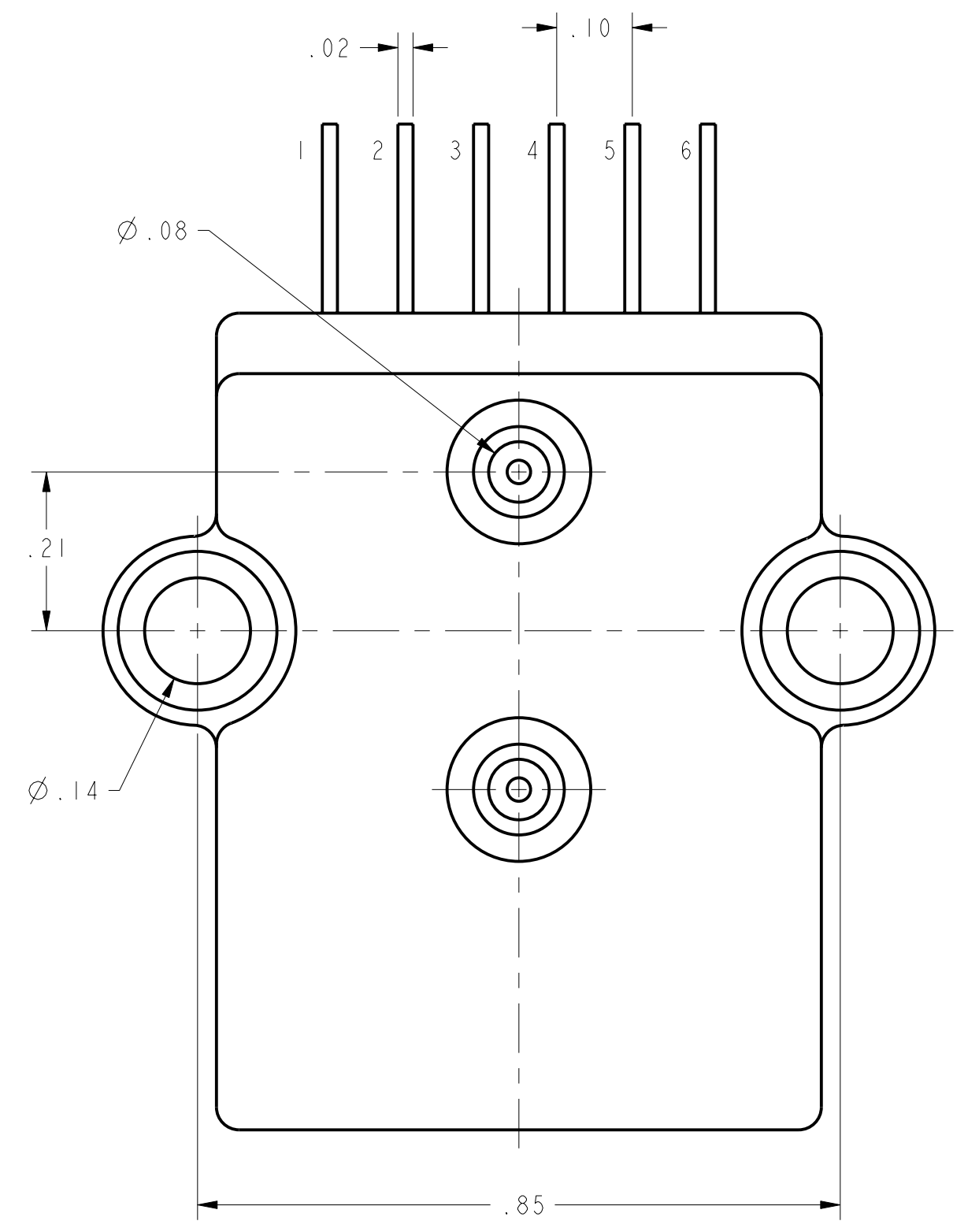
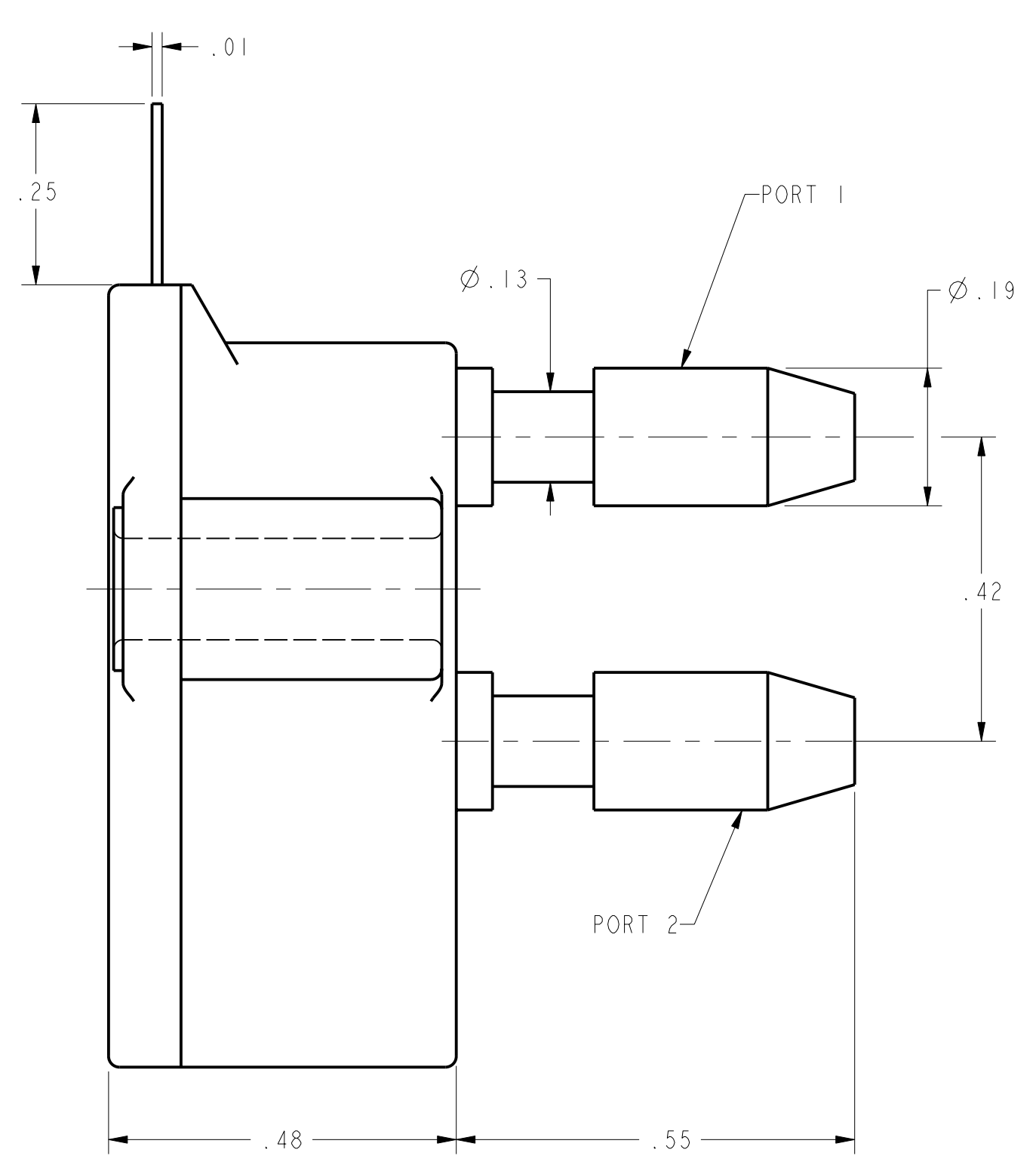
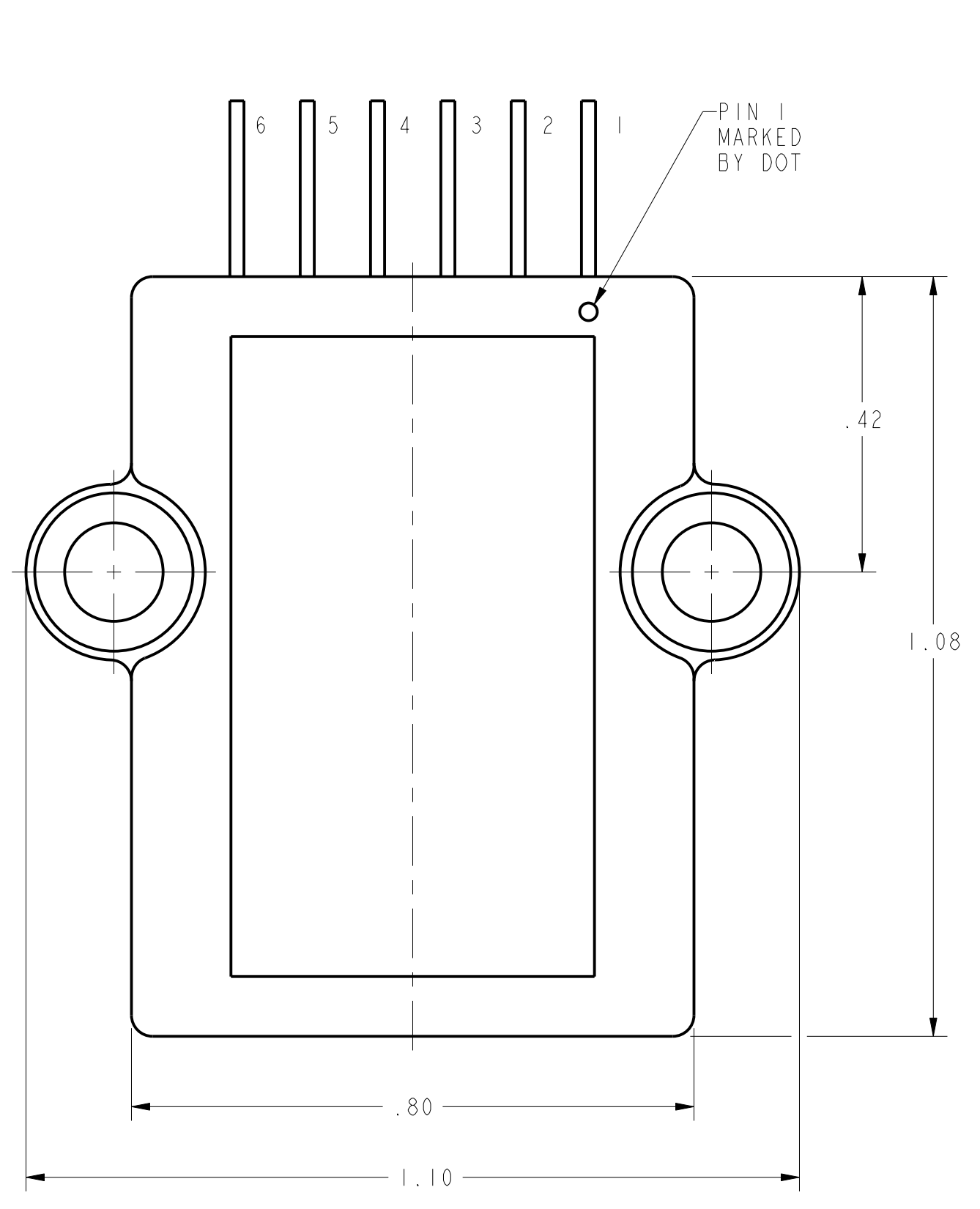
$\Delta$  PRESSURE RANGE DEPICTS THE FULL SCALE PRESSURE OF THE SENSOR



**EQUIVALENT CIRCUIT**

PIN OUT	
1	N/C
2	+V EXCITATION
3	+ OUTPUT SIGNAL
4	-V EXCITATION
5	- OUTPUT SIGNAL
6	N/C

C - GRADE LISTINGS	
XCXL004DNC	
XCXL010DNC	
XCX00.3DNC	
XCX01DNC	
XCX05DNC	
XCX15DNC	
XCX30DNC	
XCX60DNC	
XCX100DNC	
XCX150DNC	
XCX240DNC	
H - GRADE LISTINGS	
XCXL004DNH	
XCXL010DNH	
XCX00.3DNH	
XCX01DNH	
XCX05DNH	
XCX15DNH	
XCX30DNH	
XCX60DNH	
XCX100DNH	
XCX150DNH	
XCX240DNH	



PARAMETERS $\Delta$	PRESSURE RANGE	C GRADE				H GRADE				PROOF PRESSURE
		MIN	NOM	MAX	UNITS	MIN	NOM	MAX	UNITS	
OFFSET VOLTAGE (0 IN H <sub>2</sub> O DIFF)	ALL	-1.0	0.0	1.0	mV	-0.3	0.0	0.3	mV	5 PSID 5 PSID 5 PSID 5 PSID 15 PSID 45 PSID 90 PSID 180 PSID 200 PSID 300 PSID 300 PSID
SPAN (P2>P1)	4 IN H <sub>2</sub> O	38.0	40.0	42.0	mV	19.8	20.0	20.2	mV	
	10 IN H <sub>2</sub> O	19.0	20.0	21.0	mV	19.8	20.0	20.2	mV	
	0.3 PSID	19.0	20.0	21.0	mV	19.8	20.0	20.2	mV	
	1 PSID	17.0	18.0	19.0	mV	17.8	18.0	18.2	mV	
	5 PSID	57.0	60.0	63.0	mV	59.0	60.0	61.0	mV	
	15 PSID	85.0	90.0	95.0	mV	89.0	90.0	91.0	mV	
	30 PSID	85.0	90.0	95.0	mV	89.0	90.0	91.0	mV	
	60 PSID	85.0	90.0	95.0	mV	89.0	90.0	91.0	mV	
100 PSID	95.0	100.0	105.0	mV	99.0	100.0	101.0	mV		
150 PSID	85.0	90.0	95.0	mV	89.0	90.0	91.0	mV		
240 PSID	95.0	100.0	105.0	mV	99.0	100.0	101.0	mV		
COMBINED LINEARITY AND HYSTERESIS $\Delta$	ALL	---	0.5	1.0	%SPAN	---	0.3	0.5	%SPAN	
INPUT RESISTANCE	ALL	---	15	---	K $\Omega$	---	15	---	K $\Omega$	
TEMPERATURE ERROR ON OFFSET (0° TO 50°C) $\Delta$	4 IN H <sub>2</sub> O	---	---	1.0	mV	---	---	0.5	mV	
TEMPERATURE ERROR ON OFFSET (0° TO 70°C) $\Delta$	ALL EXCEPT 4 IN H <sub>2</sub> O	---	---	1.0	mV	---	---	0.5	mV	
TEMPERATURE ERROR ON SPAN (0° TO 50°C) $\Delta$	4 IN H <sub>2</sub> O	---	---	2.0	%SPAN	---	---	1.0	%SPAN	
TEMPERATURE ERROR ON SPAN (0° TO 70°C) $\Delta$	ALL EXCEPT 4 IN H <sub>2</sub> O	---	---	2.0	%SPAN	---	---	1.0	%SPAN	
REPEATABILITY	ALL	---	0.1	---	%SPAN	---	0.1	---	%SPAN	

EXCITATION VOLTAGE	ALL	3	12	16	VDC
COMPENSATED TEMPERATURE RANGE	ALL	0	25	70	°C
STORAGE TEMPERATURE RANGE	ALL	-40	---	125	°C
RELATIVE HUMIDITY (NON-CONDENSING)	ALL	0	---	95	%RH
SHOCK (DURATION 11 msec ANY AXIS)	ALL	---	---	10	g
COMMON MODE PRESSURE	ALL	---	---	50	PSIG

MEDIA CAPABILITY, WETTED MATERIALS (APPLY CLEAN DRY AIR ONLY)	
PRESSURE PORT 2	SILICON DIAPHRAGM, GLASS FILLED NYLON, AND ALUMINA CERAMIC. PORT NOT USED FOR ABSOLUTE DEVICES
PRESSURE PORT 1	FRONTSIDE OF SILICON DIAPHRAGM, SILICONE GEL PASSIVATION, GLASS FILLED NYLON, ALUMINA.

UNLESS OTHERWISE SPECIFIED TOLERANCES ARE:	NO PLACE .X ±.040 ±.1	DRAWN TRF 22SEP00	
ONE PLACE .XX ±.030 ±0.4	TWO PLACE .XXX ±.015 ±0.15	CHECK SAV 22SEP00	
THREE PLACE .XXX ±.005 ±	ANGLES ±	THIS DRAWING COVERS A PROPRIETARY ITEM AND IS THE PROPERTY OF HONEYWELL SENSING AND CONTROL. THIS DRAWING IS NOT TO BE COPIED OR USED WITHOUT THE PERMISSION OF HONEYWELL.	TITLE
RAW MATERIAL - COMMERCIAL STANDARD	THIRD ANGLE PROJECTION	DIMENSIONS ARE TO BE MET BEFORE PROTECTIVE COATINGS ARE APPLIED.	<b>PRESSURE SENSOR</b> SIZE <b>D</b> DWG TYPE <b>M</b> DRAWING NAME <b>XCX DIF SERIES CHART 1</b> REV <b>2</b>
PTC 3D ASME Y14.5M-1994	SCALE 5:1	WEIGHT	SHEET 1 OF 1