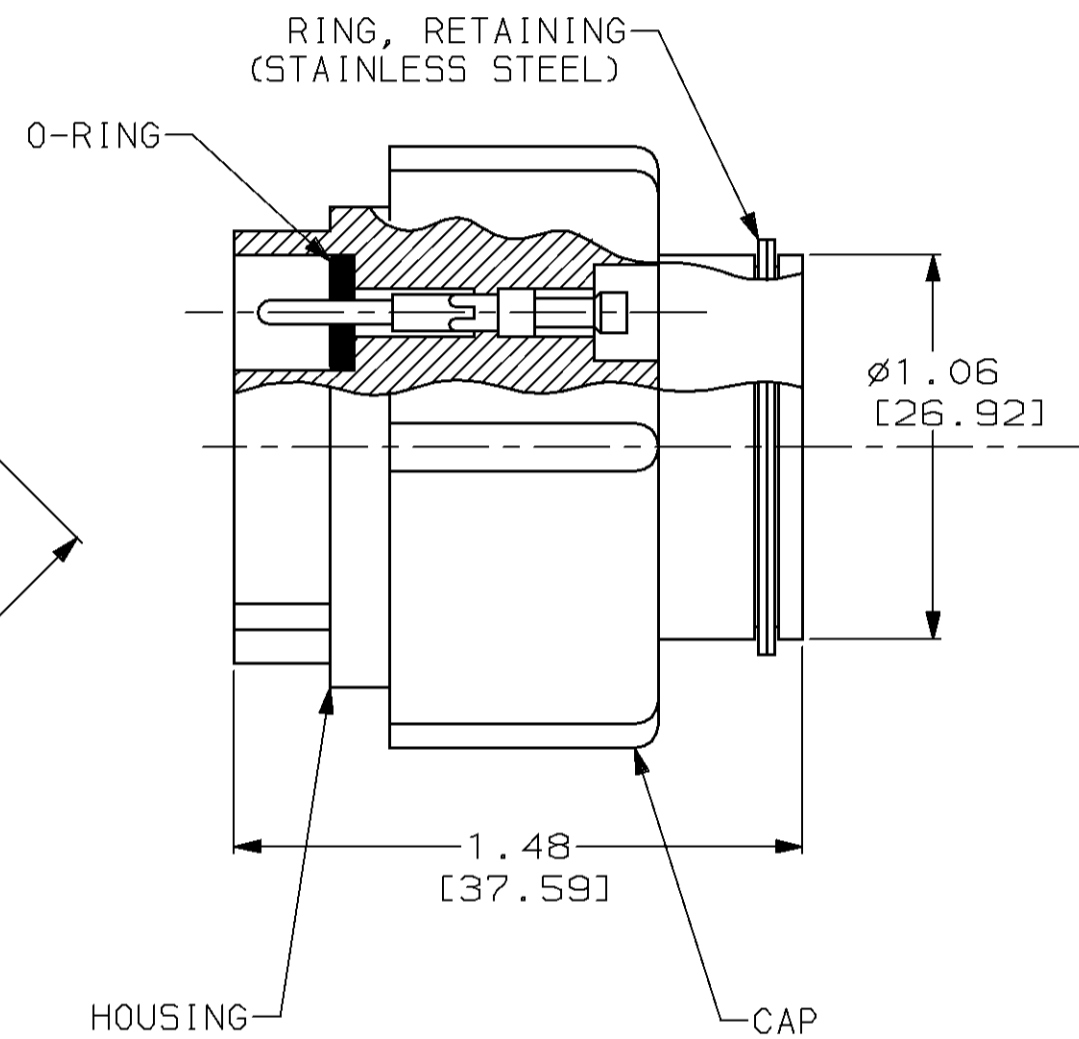
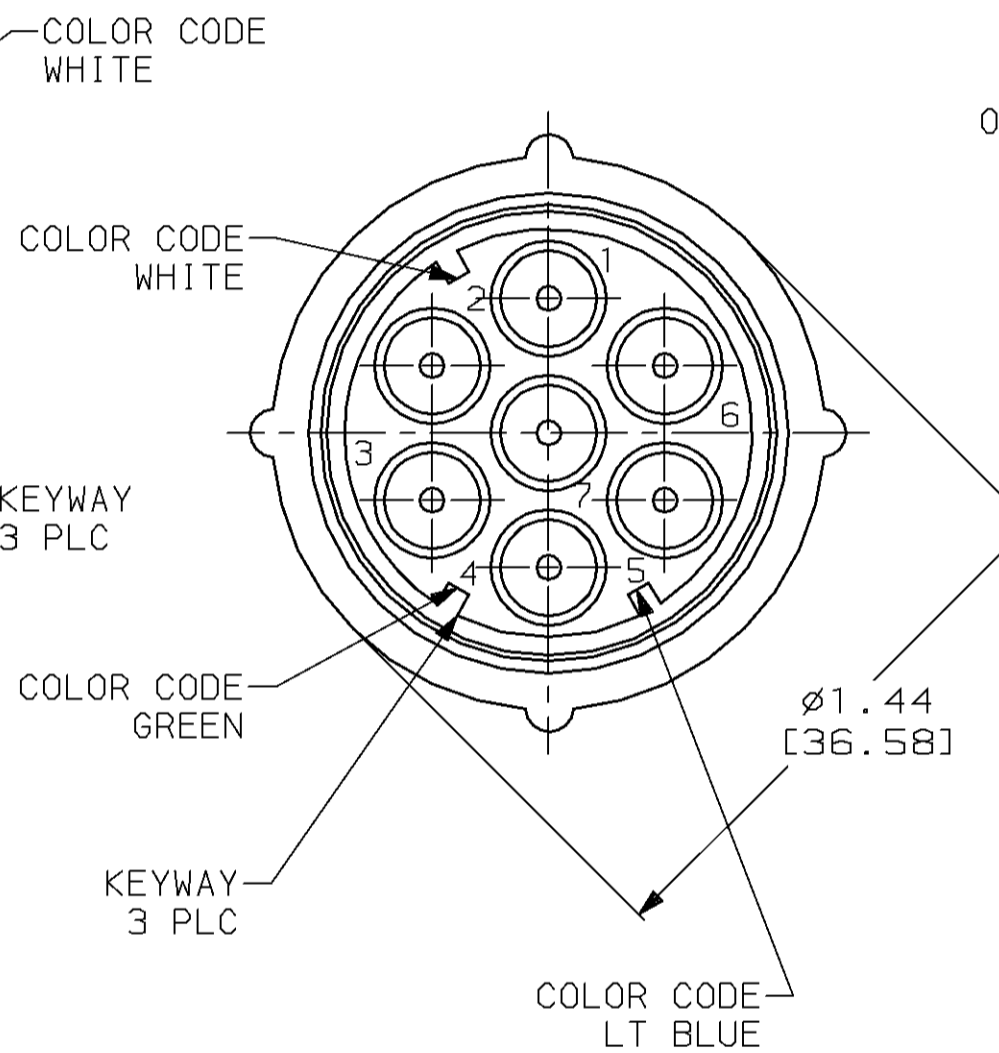
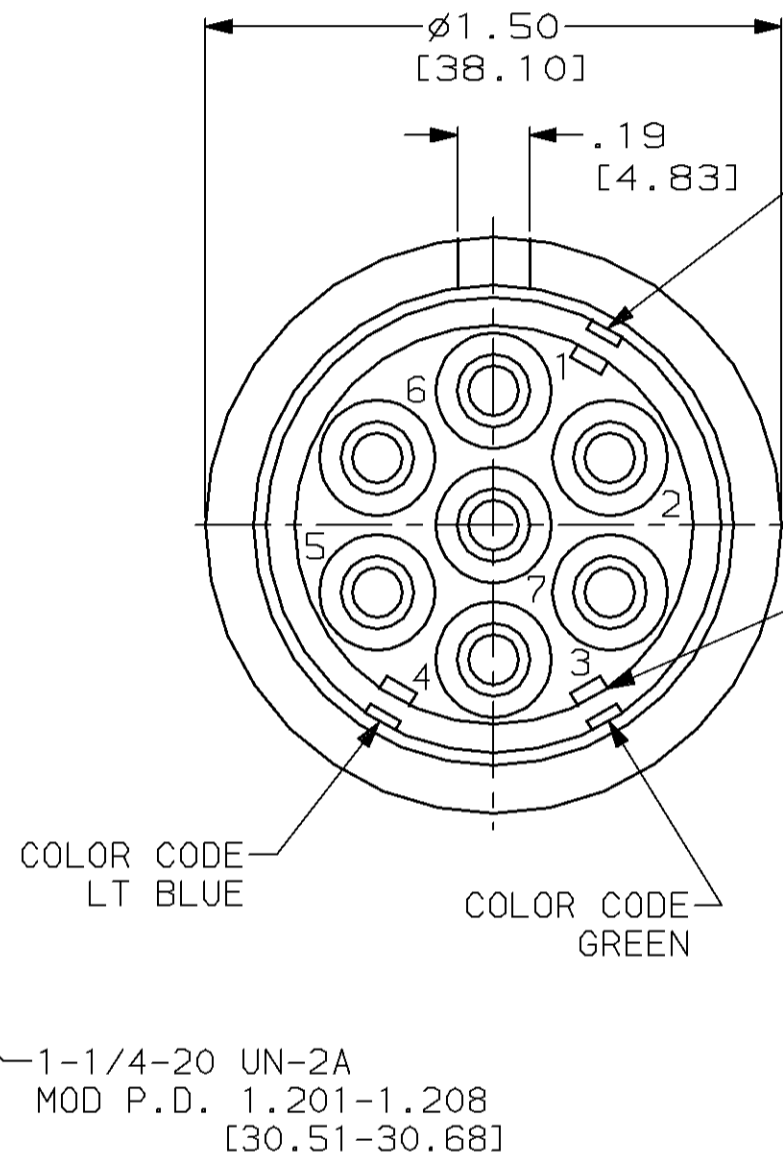
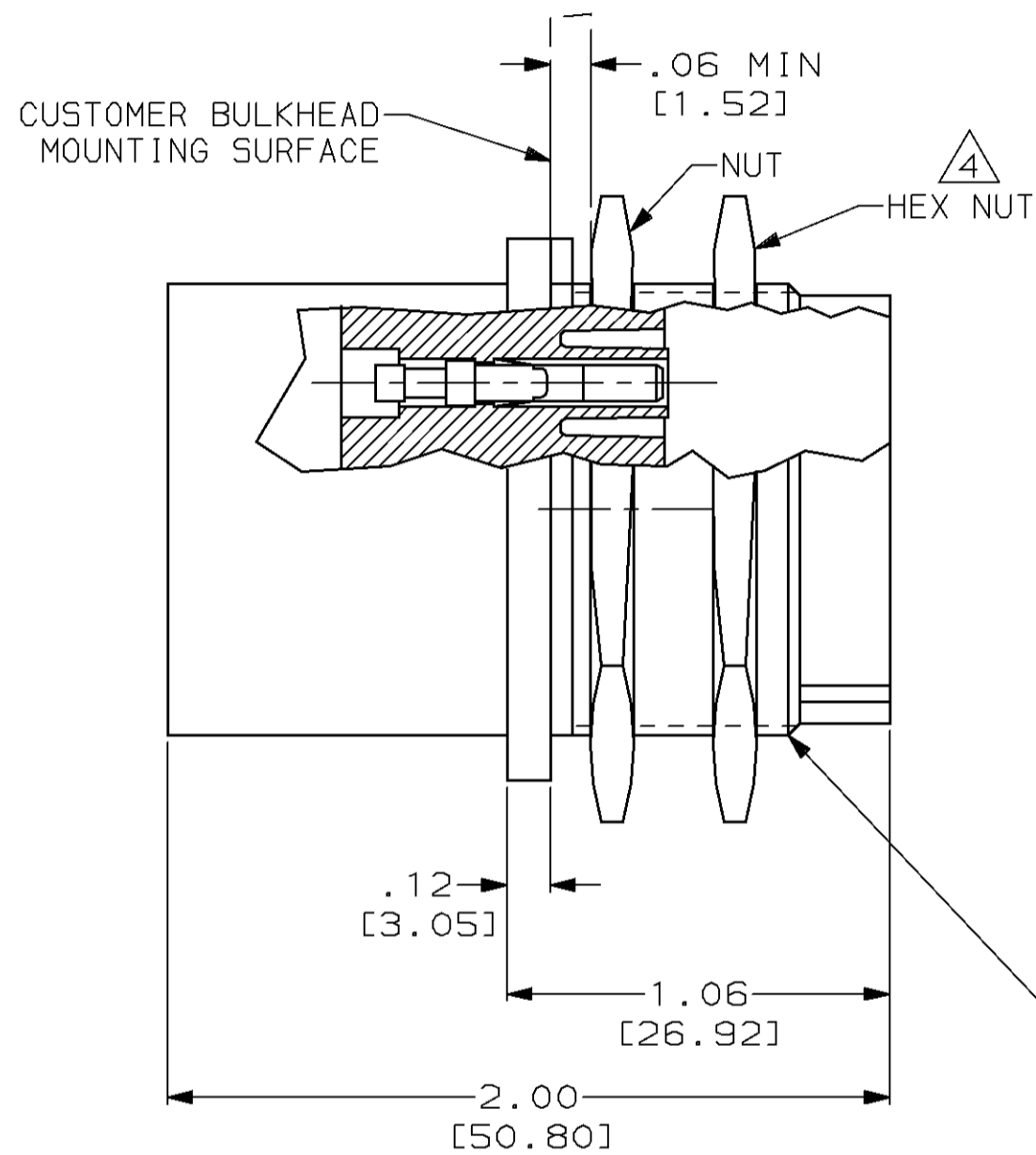
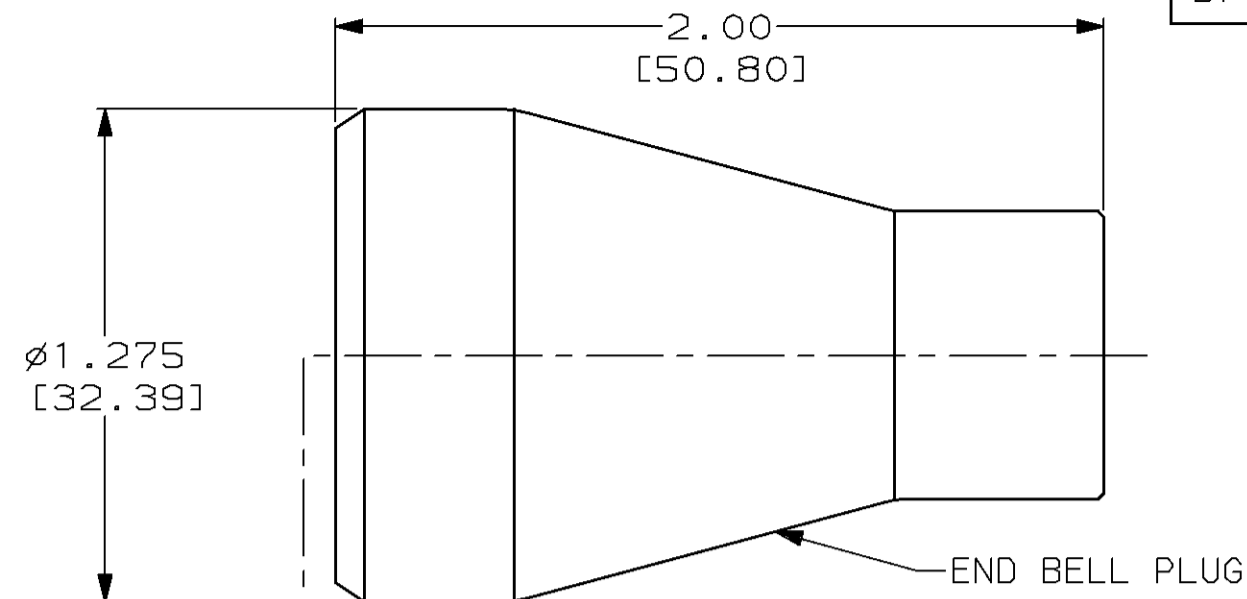


THIS DRAWING IS UNPUBLISHED. RELEASED FOR PUBLICATION
 © COPYRIGHT 19 BY AMP INCORPORATED. ALL RIGHTS RESERVED.

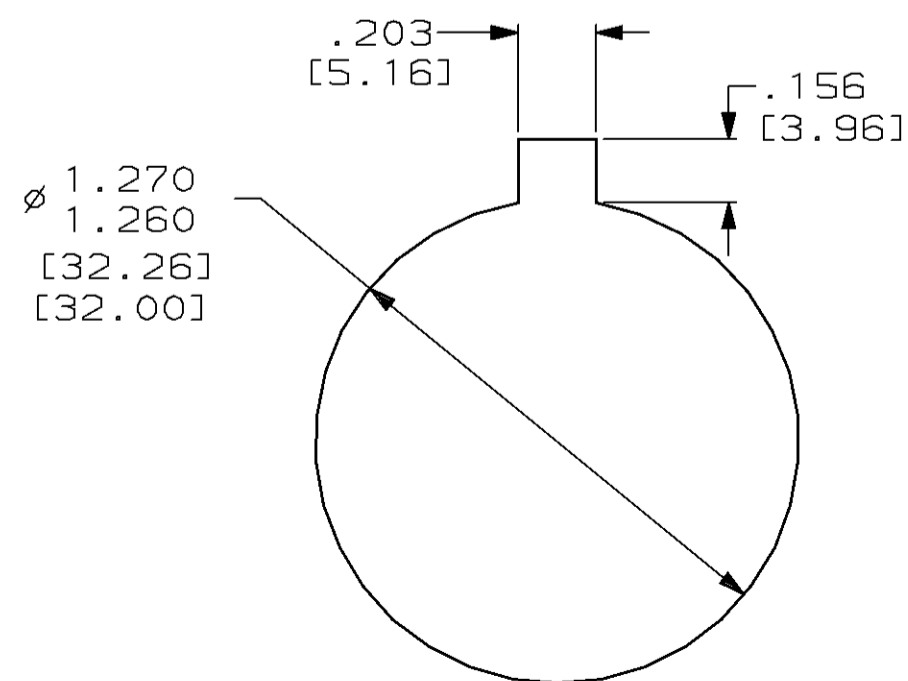
Loc		DIST		REVISIONS			
P	LTR	DATE	OWN	APVD			
DF	SO						
H		REV PER 0600-4687-95	10-95	CT	CS		

- ① TYPE II PINS & SOCKETS TO ACCEPT ONE #20 AWG, ONE #22 AWG, OR ONE #24 AWG STRANDED WIRE.
- ② TYPE II PINS & SOCKETS TO ACCEPT ONE #16 AWG, ONE #18 AWG STRANDED WIRE.
- ③ TYPE II PINS & SOCKETS TO ACCEPT ONE #14 AWG, STRANDED WIRE.
- ④ SECOND HEX NUT IS SUPPLIED WITH -8 & -9 ONLY.



RECEPTACLE

PLUG



RECOMMENDED PANEL CUTOUT

REMARKS	COLOR CODE	HAND TOOL	WIRE SIZE RANGE	PLUG	RECEPTACLE	PART NUMBER	
② ④	NO	45098	16, 18	863024-2	861647-8	863019-9	
① ④	NO	45099	20, 22, 24	863024-1	861647-7	863019-8	
OBSOLETE	-	-	-	863024-8	861647-6	863019-7	
OBSOLETE	③	YES	45098	14	863024-7	861647-5	863019-6
OBSOLETE	②	YES	45098	16, 18	863024-6	861647-2	863019-5
OBSOLETE	①	YES	45099	22, 24	863024-5	861647-1	863019-4
	④	NO	45098	14	863024-3	861647-9	863019-3
	②	NO	45098	16, 18	863024-2	861647-8	863019-2
	①	NO	45099	20, 22, 24	863024-1	861647-7	863019-1

THIS DRAWING IS A CONTROLLED DOCUMENT FOR AMP INCORPORATED. IT IS SUBJECT TO CHANGE AND THE CONTROLLING ENGINEERING ORGANIZATION SHOULD BE CONTACTED FOR THE LATEST REVISION.

DWN	T. THOMPSON	03-08-95	AMP Incorporated Harrisburg, PA 17105-3608
CHK	D. EARY	04-19-95	
APVD	D. EARY	04-19-95	
PRODUCT SPEC			
APPLICATION SPEC			NAME
WEIGHT	-		7 PIN PLUG & RECEPTACLE KIT LGH
CUSTOMER DRAWING			SIZE
			A2
			CAGE CODE
			00779
			DRAWING NO
			863019
			SCALE
			2:1
			SHEET
			1 OF 1
			REV
			H