

# MF1009S-1

FOR AMPS MOBILE TELEPHONE, Rx

MF1009S-1

## DESCRIPTION

This SAW filter for the receiving RF circuit of AMPS mobile communication equipment operating at 869 MHz ~ 894 MHz.

## FEATURES

1. SMD package insures small size, lightweight.
2. Adjustment free.
3. Low insertion loss.
4. Wide and sharp passband characteristics.
5. High stability and reliability.
6. Designed for reflow solderings

## APPLICATION

- Mobile Cellular Telephone
- Portable Cellular Telephone
- Wireless equipment

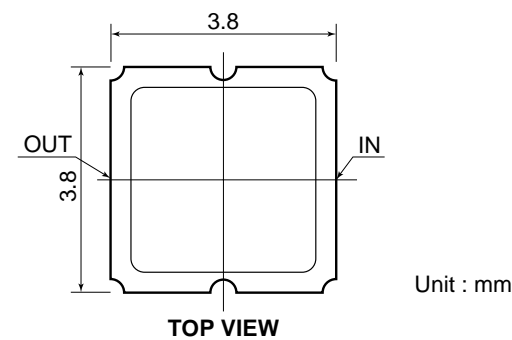
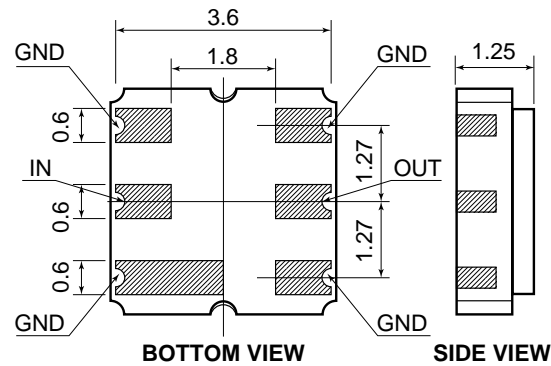
## ELECTRICAL PERFORMANCE

Parameter	MF1009S-1			Units
	Min	Typ	Max	
PASSBAND FREQUENCY	869 – 894			MHz
PASSBAND CHARACTERISTICS	Insertion Loss	3.1	3.8	dB
	Ripple	1.1	1.5	
	VSWR	2.0	3.0	
STOPBAND ATTENUATION	0 – 800 MHz	40	52	dB
	800 – 849 MHz	25	30	
	916 – 965 MHz	20	25	
	965 – 1200 MHz	40	45	

## MAXIMUM RATINGS

Rating	Value	Unit
Input Power	50	mW
Operating Temperature Range	-20 to 75	°C
Storage Temperature Range	-30 to 85	°C

## PACKAGE OUTLINE DIMENSIONS



DIMENSIONS ARE IN MILLIMETERS  
±0.2 UNLESS OTHERWISE SPECIFIED

## MF1009S-1 TYPICAL CHARACTERISTICS

