

MICRO SWITCH

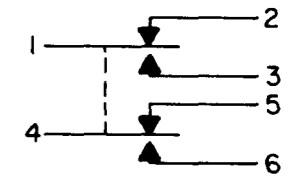
FREEPORT ILLINOIS U S A
A DIVISION OF HONEYWELL

FED. MFG CODE 91929

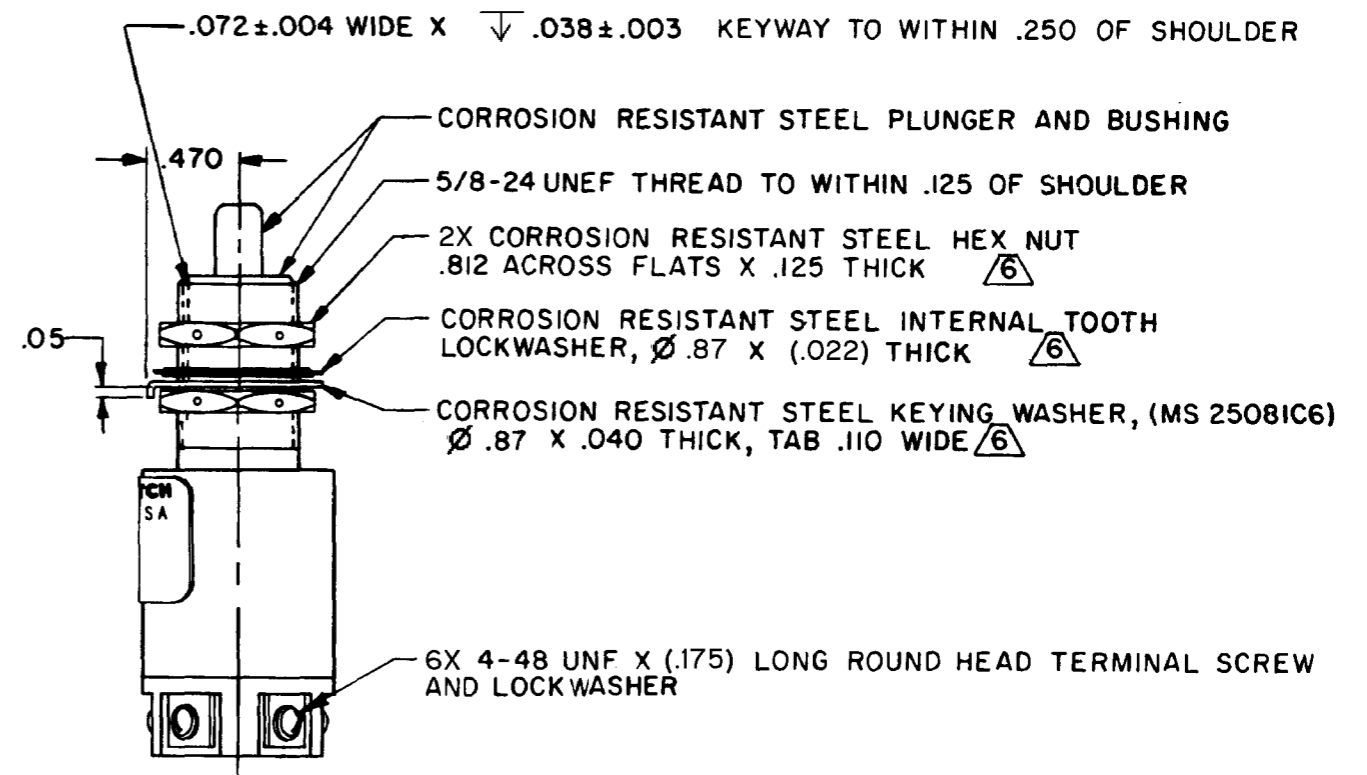
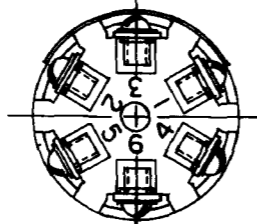
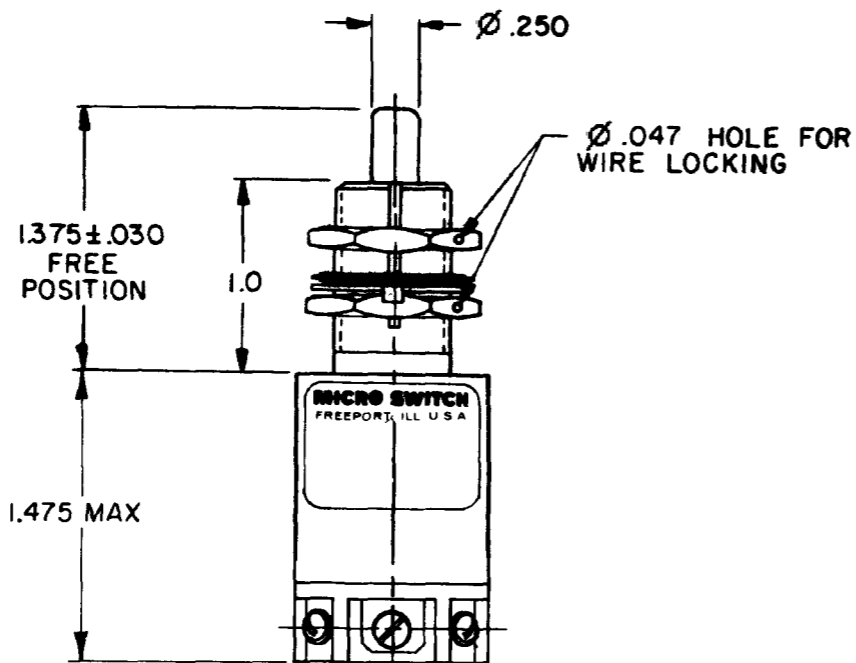
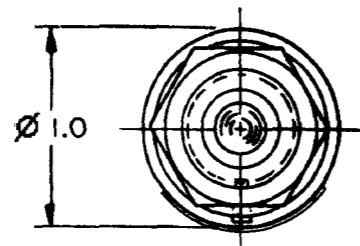
SWITCH - ENCLOSED

CATALOG LISTING

1EN1-S



CIRCUIT DIAGRAM



NOTES

- 1 - CORROSION RESISTANT STEEL ENCLOSURE
- 2 - SWITCH SEALED PER MIL-PRF-8805, SYMBOL 4
- 3 - CIRCUIT DIAGRAM, DATE CODE, FED. MFG. CODE AND CATALOG LISTING ARE SHOWN ON NAMEPLATE
- 4 - TERMINAL IDENTIFICATION IS SHOWN ON BOTTOM OF SWITCH
- 5 - COINCIDENCE OF OPERATING AND RELEASING POINTS: .010 OF PLUNGER TRAVEL
- 6 - HARDWARE MAY BE PACKAGED UNASSEMBLED PER MIL-PRF-8805

ANSI Y14.5M-1982 APPLIES

1EN1-S
 CATALOG LISTING
 PAGE 1 OF 1
 ISSUE 24
 RELEASE NO. SR-5880
 REPLACES
 REVISIONS
 A 44351 PT 5
 C E B 23 DEC 78
 B CO47573
 J A P 4 AUG 80
 C CO 54265
 T S K 19 DEC 83
 D CO74101
 DAW 10 FEB 93
 E CO 7750+C
 27 OCT 94
 F CO82106
 G JW 15 FEB 98
 CO- 93970
 S A V 12 JAN 98
 H 0033489
 MST 28SEP07
 CHECK D JW 12 JAN 79
 PSR 28SEP07
 CHECK
 DRAWN RASTER FO-92851-A
 C E B 23 DEC 78
 CHECK

THIS DRAWING COVERS A PROPRIETARY ITEM AND IS THE PROPERTY OF MICRO SWITCH, A DIVISION OF HONEYWELL. THIS DRAWING IS NOT TO BE COPIED OR USED WITHOUT THE APPROVAL OF MICRO SWITCH		THIRD ANGLE PROJECTION	THIRD ANGLE PROJECTION
CHARACTERISTICS		ELECTRICAL DATA	SCALE FULL
OPERATING FORCE ----- 6-12 LB FULL OVERTRAVEL FORCE --- 30 LB MAX		CONTACT ARRANGEMENT 2X S P D T	DO NOT SCALE PRINT
RELEASE FORCE ----- 4 LB MIN		LOAD	UNLESS OTHERWISE SPECIFIED TOLERANCES ARE
PRETRAVEL ----- .040 MAX		28 VDC	ONE PLACE (.0) ± .030
DIFFERENTIAL TRAVEL ----- .020 MAX		SEA LEVEL 50,000 FT.	TWO PLACE (.00) ± .015
OVERTRAVEL ----- .250 MIN		RES 4 4	THREE PLACE (.000) ± .005
		IND 2 2	ANGLES ±
		MOTOR 4	
		LAMP	WEIGHT 3.5 OZ MAX