

MECHANICAL PARTS

UAC-BL UAC-BK Cabinet Handle

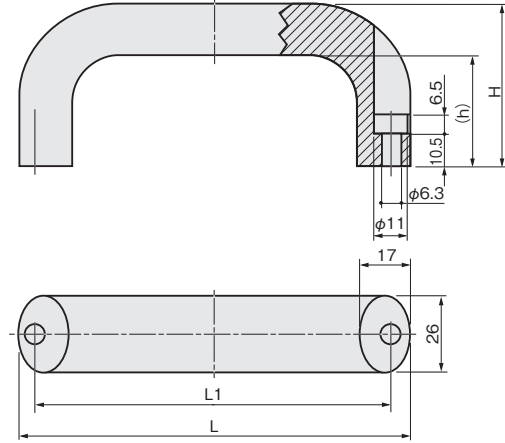


Characteristic

The handle which installs from the front side of panel.
It has the shape and size for easy gripping.
Excellent performances on reliability and stability.

Application

Machine tools / Jigs and tools /
Special equipment vehicles /
Telecommunication devices on vehicles /
Audio devices, etc.



Specification

Model Type	Material	Finish
UAC-BL	Aluminum Alloy	Barrel Polishing
UAC-BK		Electrostatic Painting (Flat Black)

UAC-BL (Barrel Polishing)		UAC-BK (Painting)		Size Applied for Both						Allowable Vertical Load kN (kgf)	Net Weight (g)
Model No.	Code No.	Model No.	Code No.	L	L1	H	h				
UAC-26x116-BL	3271	UAC-26x116-BK	3275	130	116	53	36			1.57 (160)	157
UAC-26x132-BL	3272	UAC-26x132-BK	3276	146	132	55	38			1.08 (110)	178
UAC-26x164-BL	3273	UAC-26x164-BK	3277	178	164	57	40			0.78 (80)	209
UAC-26x196-BL	3274	UAC-26x196-BK	3278	210	196			0.49 (50)	242		

UAF-BL UAF-BK Cabinet Handle

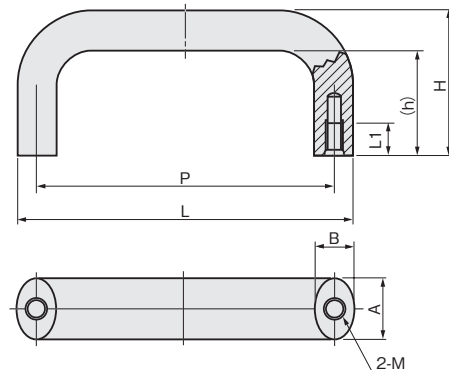


Characteristic

It has the shape and size for easy gripping.
Excellent performances on reliability and stability.
Wide variety of choice, 100mm to 400mm.

Application

Machine tools / Jigs and tools / Office utilities /
Office automation appliances /
Telecommunication devices on vehicles /
Audio devices, etc.



UAF-BL (Barrel Polishing)		UAF-BK (Painting)		Size Applied for Both										Allowable Vertical Load kN (kgf)	Net Weight (g)					
Model No.	Code No.	Model No.	Code No.	L	P	H	h	A	B	M	L1									
UAF-20x100-BL	3279	UAF-20x100-BK	3289	113	100	47	34							1.47 (150)	84					
UAF-20x112-BL	3280	UAF-20x112-BK	3290	125	112	49	36							0.78 (80)	96					
UAF-20x128-BL	3281	UAF-20x128-BK	3291	141	128	51	38								106					
UAF-20x160-BL	3282	UAF-20x160-BK	3292	173	160											126				
UAF-26x112-BL	3283	UAF-26x112-BK	3293	129	112	53	36							2.94 (300)	157					
UAF-26x128-BL	3284	UAF-26x128-BK	3294	145	128	55	38							1.57 (160)	178					
UAF-26x160-BL	3285	UAF-26x160-BK	3295	177	160									0.78 (80)	209					
UAF-26x192-BL	3286	UAF-26x192-BK	3296	209	192	57	40	26	17	M8	12			0.59 (60)	242					
UAF-26x300-BL	3287	UAF-26x300-BK	3297	317	300															345
UAF-26x400-BL	3288	UAF-26x400-BK	3298	417	400															440

Specification

Model Type	Material	Finish
UAF-BL	Aluminum Alloy	Barrel Polishing
UAF-BK		Electrostatic Painting (Flat Black)