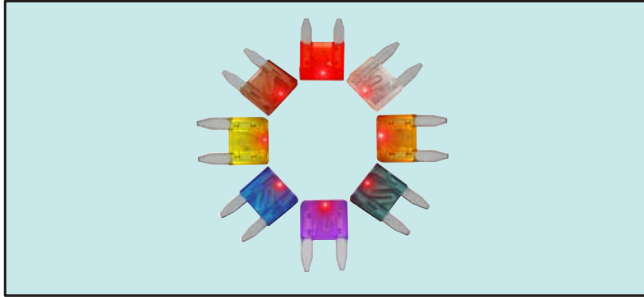


# ATM\_ID Equivalent - Low Voltage, Fast Acting, Miniature Automotive with LED Indicator

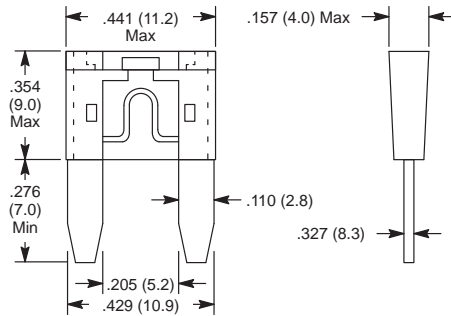
## Features

- Long Life (1000 hrs min.) LED Indicator lights when fuse is blown
- Miniature Blade Type
- RoHS Compliant



NTE Type No.	Rated Current	Color Code	Diag No.
74-LMAF3A	3A	Violet	F-12
74-LMAF5A	5A	Tan	F-12
74-LMAF7.5A	7.5A	Brown	F-12
74-LMAF10A	10A	Red	F-12
74-LMAF15A	15A	Blue	F-12
74-LMAF20A	20A	Yellow	F-12
74-LMAF25A	25A	Natural	F-12
74-LMAF30A	30A	Green	F-12

## F-12



## Specifications

**Rated Voltage:** 32V

**LED Voltage Rating:** 12VDC, 24VDC, 32VDC

**LED Lifetime:** around 1000 hours at +60°C. The resin won't be melted under +130°C.

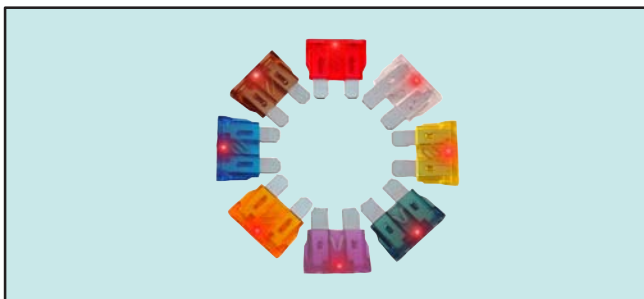
**Time Current Characteristics:**

% of Ampere Rating	Opening Time
110%	100 hours min.
135%	0.75 – 1800 seconds
200%	0.15 – 5 seconds
350%	0.08 – 0.25 seconds

# ATC\_ID Equivalent - Low Voltage, Fast Acting, Automotive with LED Indicator

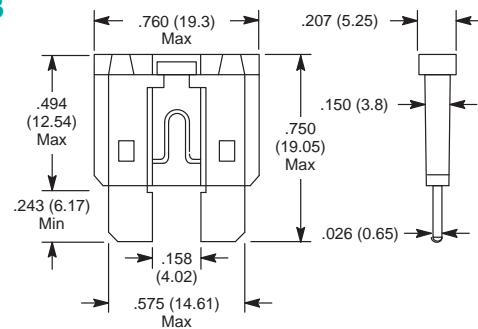
## Features

- Fast Acting
- Long Life (1000 hrs min.) LED Indicator lights when fuse is blown
- RoHS Compliant



NTE Type No.	Rated Current	Color Code	Diag No.
74-LAF3A	3A	Violet	F-13
74-LAF5A	5A	Tan	F-13
74-LAF7.5A	7.5A	Brown	F-13
74-LAF10A	10A	Red	F-13
74-LAF15A	15A	Blue	F-13
74-LAF20A	20A	Yellow	F-13
74-LAF25A	25A	Natural	F-13
74-LAF30A	30A	Green	F-13

## F-13



## Specifications

**Rated Voltage:** 32V

**LED Voltage Rating:** 12VDC, 24VDC, 32VDC

**LED Lifetime:** around 1000 hours at +60°C. The resin won't be melted under +130°C.

**Time Current Characteristics:**

% of Ampere Rating	Opening Time
110%	100 hours min.
135%	0.75 seconds min.
200%	0.15 seconds min.
350%	0.08 seconds min.