

PRODUCT DATA DRAWING

REVISION HISTORY			
REV	DESCRIPTION	DATE	APPROVED
-	REL. NRN 40359	03/17/16	STW

MATERIAL:

BODY, CAP, SLEEVE & COUPLING NUT: STAINLESS STEEL PER AMS-5640, ALLOY UNS S30300, TYPE 1

LOCK RING: BERYLLIUM COPPER PER ASTM B196, ALLOY No. UNS C17300, TD04

SLEEVE (CHIP) & CONTACTS: BRASS PER ASTM B16, ALLOY UNS No. C36000

BELLOWS SPRING: ELECTRO DEPOSITED NICKEL: GOLD PLATED

INSULATOR: KEL-F PER ASTM D1430

GASKET: SILICONE RUBBER PER A-A-59588, CLASS 2B, GRADE 50/60

RESISTOR ELEMENT: ALUMINUM NITRIDE SUBSTRATE WITH TANTALUM NITRIDE RESISTOR: GOLD PLATED TERMINATIONS

FINISH:

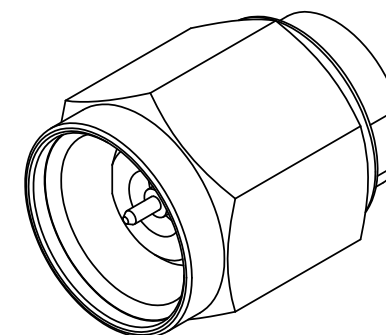
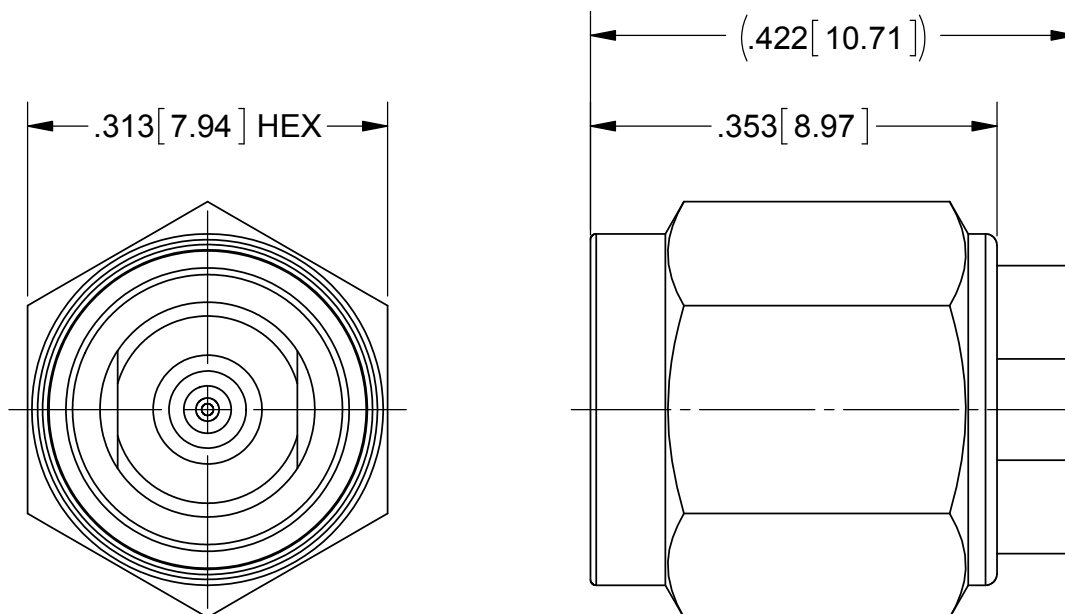
BODY, CAP, COUPLING NUT & SLEEVE (BODY): PASSIVATED PER AMS-2700, TYPE II.

CONTACTS: GOLD PER ASTM B488, TYPE I, CODE C, CLASS .5, OVER NICKEL PER AMS-QQ-N-290, CLASS 1, .00005" MIN.

SLEEVE (CHIP): GOLD PER ASTM B488, TYPE II, CODE C, CLASS 1.52, OVER NICKEL PER AMS-QQ-N-290, CLASS 1, .00010" MIN

PERFORMANCE:

IMPEDANCE: 50 OHMS
 FREQ. RANGE: DC TO 50.0 GHz
 VSWR: 1.30:1 DC TO 50.0 GHz
 OPERATING TEMP.: -65°C TO +125°C
 AVG. POWER: 1 WATT (POWER INPUT DERATED LINEARLY FROM 25°C TO 10% OF AVERAGE AT 125°C)
 PEAK POWER: 100 WATTS (PEAK POWER FOR A DUTY CYCLE OF 5X10⁻⁴ MAXIMUM PULSE DURATION OF 5 MICROSECONDS)
 ENGAGEMENT/ DISENGAGEMENT: 2 IN-LBS



MATERIAL: SEE NOTES	DIMENSIONS ARE IN INCHES TOLERANCES: FRACTIONAL: ±1/64 ANGULAR: X° ±1'0" X'X' ±15'	UNLESS OTHERWISE SPECIFIED 1) ALL DIMENSIONS ARE IN INCHES (MILLIMETERS) 2) ALL DIMENSIONS ARE AFTER PLATING. 3) BREAK CORNERS & EDGES .005 R. MAX. 4) CHAM. 1ST & LAST THREADS. 5) SURFACE ROUGHNESS 63-MIL-STD-10. 6) DIA.'S ON COMMON CENTERS TO BE CONCENTRIC WITHIN .005 T.I.R. 7) REMOVE ALL BURRS	SV Microwave, Inc. 2400 Centrepark West Drive, Suite 100 West Palm Beach, FL 33409
FINISH: SEE NOTES	DECIMAL: X ±.030 .XX ±.010 .XXX ±.005	INTERPRET DIMENSIONS AND TOLERANCES PER ASME Y14.5M - 1994	TITLE: 2.4mm, 50 OHM PLUG TERMINATION DC TO 50 GHz
SURFACE AREA: N/A	THIRD ANGLE PROJECTION	DRAWN: BNK 05/26/15	SIZE: B CAGE CODE: 95077 DWG. NO.: SF8016-6404
PROPRIETARY THE INFORMATION CONTAINED IN THIS DRAWING IS THE SOLE PROPERTY OF SV MICROWAVE, INC. ANY REPRODUCTION IN PART OR AS A WHOLE WITHOUT THE WRITTEN PERMISSION OF SV MICROWAVE, INC IS PROHIBITED.		CHECKED: STW 05/26/15	SCALE: 6:1
		APPROVED: STW 05/26/15	SHEET 1 OF 1