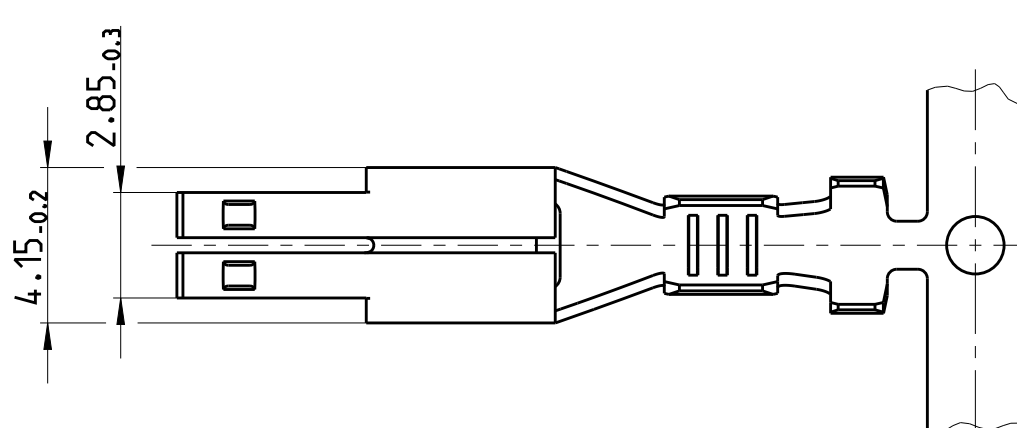
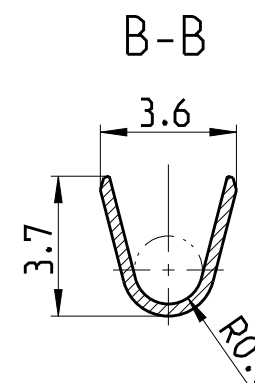
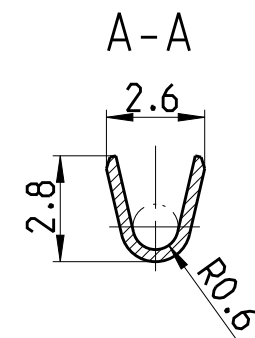
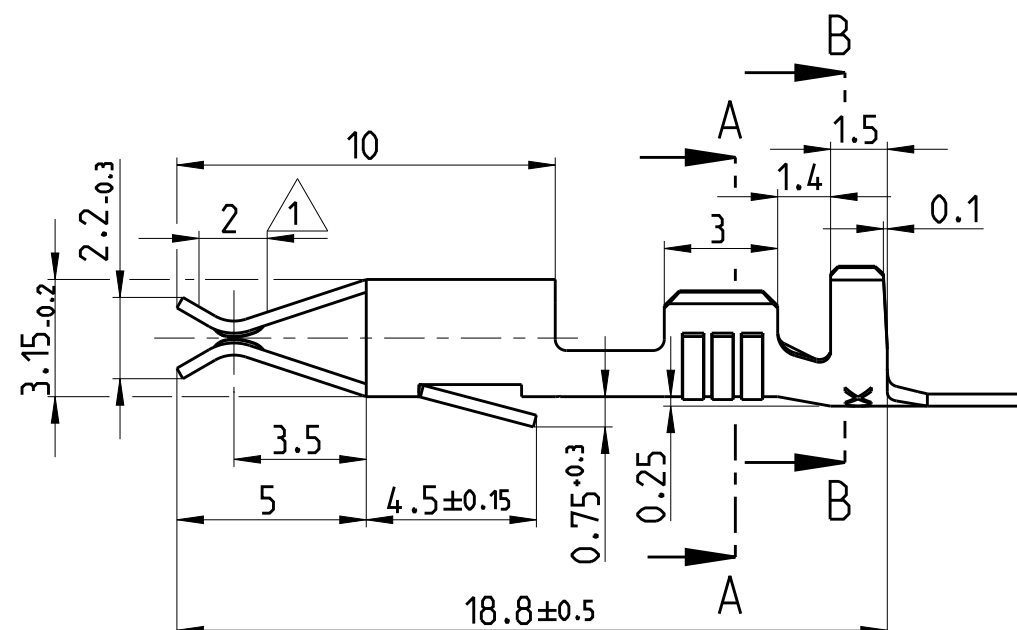


| LOC | DIST | REVISIONS | | | | | |
|-----|------|-----------|-----|--------------------------|-----------|-------|------|
| | | P | LTR | DESCRIPTION | DATE | DWN | APVD |
| A1 | - | | F2 | REVISED BY ECO-11-005294 | 06APR2011 | HMR | - |
| | | | F3 | New CAD drawing created. | 20JUN2013 | Kirs. | Eder |
| | | | F4 | ECR-15-012070 | 13AUG2015 | JB JH | BK |



- △1 IN CRIMP AREA TIN PLATED
Im Crimpbereich verzinkt
- △2 CONTACT BODY: PRE SILVER min. 0.8 µm
CONTACT AREA: PRE SILVER min. 3 µm
Kontaktkoerper: vorversilbert min. 0.8 µm
Kontaktzone: vorversilvert min. 3 µm

| CONDUCTOR CROSS-SECTION IN mm ² Leitungsquerschnitt in mm ² | | SINGLE CONNECTION Einzelanschlag | | | | | |
|--|---|-------------------------------------|------|------|------|------|------|
| | | 0.35 | 0.50 | 0.75 | 1.00 | 1.50 | 2.00 |
| 0.35 | | X | X | | | | |
| 0.50 | X | X | X | | | | |
| 0.75 | X | | | | | | |
| 1.00 | X | | | | | | |
| 1.50 | | | | | | | |
| 2.00 | | | | | | | |

WIRE SIZE RANGE: 0.5-1.0mm²
Drahtgroessenbereich: 0.5-1.0mm²

CRIMPING CONDUCTOR: FLKY WIRE
CONDUCTOR: F-CRIMP
INSULATION: OVERLAPPING CRIMP

angeschlagener Leiter: FLKY Leitung
Leiter: F-Crimp
Isolation: Ueberlappungscrimp

| | | | | |
|--|--|-----------------------|--|-------------------------------|
| THIS DRAWING IS A CONTROLLED DOCUMENT. | | DWN Herth | 17 JUL 1984 | STE TE Connectivity |
| DIMENSIONS: mm | | CHK Herth | 17 JUL 1984 | |
| TOLERANCES UNLESS OTHERWISE SPECIFIED: ±0.2 | | APVD C. Goepfel | 20 JUN 2013 | |
| MATERIAL - | | FINISH - | NAME JUNIOR-TIMER CONTACT Junior-Timer Kontakt | |
| PRODUCT SPEC - | | APPLICATION SPEC - | | SIZE A3 |
| WEIGHT - | | Customer Drawing | | CAGE CODE 00779 |
| | | SCALE 5:1 | | DRAWING NO C-927845 |
| | | SHEET 1 OF 1 | | RESTRICTED TO - |
| | | REV F4 | | |